



Information and Innovation Technologies in the Life of Society

edited by Aleksander Ostenda
and Nataliia Svitlychna

**Series of monographs Faculty
of Architecture, Civil Engineering
and Applied Arts**

Katowice School of Technology

Monograph 28

Wydawnictwo Wyższej Szkoły Technicznej w Katowicach, 2019



**Information and Innovation Technologies
in the Life of Society**

edited by Aleksander Ostenda
and Nataliia Svitlychna

**Series of monographs Faculty
of Architecture, Civil Engineering
and Applied Arts**

Katowice School of Technology

Monograph 28

Scientific editors

prof. WST, dr Aleksander Ostenda and dr Nataliia Svitlychna

Editorial board

*Larysa Abyzova (Ukraine), Natalia Afanasieva (Ukraine),
Michał Ekkert, Magdalena Gawron-Łapuszek,
Paweł Mikos, Tetyana Nestorenko (Ukraine),
Oleksandr Nestorenko (Slovakia), Aleksander Ostenda,
Anna Panasiewicz, Sylwia Pawlikowska-Musiewicz,
Olena Senderuk (Ukraine), Olha Shevchenko (Ukraine),
Nataliia Svitlychna (Ukraine), Magdalena Wierzbik-Strońska*

Reviewers

dr Yuliia Bilotserkivska (*Ukraine*)
dr Tetyana Zubro (Slovakia)

Series of monographs Faculty of Architecture, Civil Engineering and
Applied Arts Katowice School of Technology
Monograph · 28

The authors bear full responsible for the text, quotations and illustrations

Copyright by Wyższa Szkoła Techniczna w Katowicach, 2019

ISBN: 978-83-955125-3-7

Editorial compilation

Wydawnictwo Wyższej Szkoły Technicznej Katowice

ul. Rolna 43 40-555 Katowice

tel. 32 202 50 34, fax: 32 252 28 75

www.wst.pl / www.wydawnictwo.wst.pl

TABLE OF CONTENTS:

Preface	5
Part 1. Socio-Cultural Aspects of Personality Development	7
1.1. Formation of creative activity of future teachers of technology in practical activity	7
1.2. Method of forming an individual style of professional activity of future physical education teachers in the process of pedagogical practice	18
1.3. Informational and innovational technologies of media literacy (the experience of training applied linguists)	23
1.4. Specific features of deformation of moral and ethical consciousness in the structure of deviant behavior of juvenile offenders	29
1.5. Theoretical approaches to studying personal's emotional intelligence	35
1.6. Designing socio-cultural development of the student's personality in the system of professional physical culture education	43
1.7. The analysis of the efficiency of physical rehabilitation programs for women's obesity at a sanitary resort stage of treatment	50
1.8. The peculiarities of using the plot classes with children simulators in the complex rehabilitation of children after bronchitis	60
1.9. Innovative educational technologies and methods in the professional training of future physical therapists, occupational therapists	70
1.10. Ways of preventing psychoemotional stress of adults living on demarcation line	81
1.11. Peculiarities of psychological support of the combat-training of future specialists of extreme profile	88
1.12. Psychological features of sanogenic thinking of cadets of NUCDU	95
1.13. Key features of readiness to activity of a psychologist in extreme situations	108
1.14. Victimimity as a quality of the personality of STDS	118
1.15. Study peculiarities of internal-personal conflict of students of NUCDU	134
1.16. Ways and means of spiritual development of children in the structure of the person	143
Part 2. The Modern Technologies in the Development of Society	150
2.1. Modern information technologies as a clustering factor of tourism industry in Ukraine	150
2.2. Motion design in a modern visual-communicative environment	156
2.3. Impact of modern information and innovative technologies for the development of industrial management in the conditions of globalization 4.0 and technological revolution 4.0	163
2.4. Digitalization – process of digital transformation of society	169
2.5. Information and educational environment of the technical university	176
2.6. The newest information technologies as a factor of development of the technology of the world	182
2.7. About development forecasts of education systems in the conditions of information revolution	187

2.8. Innovative development of the transport automobile system of Ukraine: problems and prospects	193
2.9. Organizational fundamentals of functioning of general education in UK and Ukraine: comparative analysis	201
2.10. Tutorial practice as an innovative model of educational communication in higher school	207
2.11. The paradigm of symbolic values of biblionyms with anthroponym component in the literacy of Ukrainian and Polish artists	213
2.12. Interdepartmental projects in the conditions of education content integration: experience of the A. S. Makarenko Sumy State Pedagogical University	221
2.13. Constructing structures of the quality assessment system and its study of neural-network means	232
2.14. Creative Hub ARTCOR – modern engine of innovation and creativity in Chisinau	247
2.15. Psychological and pedagogical aspects of organization of information interaction in the conditions of using electronic educational resources	258
2.16. Tourism in Kharkiv region: reality and perspectives	269
Part 3. Modern Aspects of Realization of Security of a Person and Society	283
3.1. Gender features of domestic violence	283
3.2. Formation of structure of protective clothing assortment and its elements on the basis of transformation principles	291
3.3. Innovative and military-industrial component of overcoming modern challenges of the Baltic-Black Sea region countries	310
3.4. Physical therapy and ergotherapy of children of the first year of life with hypoxic-ischemic lesions of the central nervous system	316
3.5. Psychological security of personality of cadets and students NUCDU	322
3.6. Innovative approaches to training rescuers for high-rescue operations	332
3.7. The use of information technology to control the mode of operation of biological wastewater treatment facilities	344
3.8. Innovative approaches to the revitalization of technogenic landscapes	351
3.9. Methodology of determination of characteristic of fireproof capability of coatings of hollow core metal deck slabs	362
3.10. Use of monitoring of buildings and structures for safety	377
3.11. The newest technologies and their role are in forming of safety of society	389
3.12. Innovative technologies in firefighting: compression foam	395
Annotation	407
About the authors	420

PREFACE

The monograph presents systematic overview of the materials of international experts, received through analytical studies, basic trends, recommendations, relevant experience of countries, as well as key areas for new information and innovative technologies integration in society under globalization of information environment are summarized within this paper. Affecting all spheres of human activity, information technologies make possible the formation of an effective system of management, production, education and development of society. The fundamental importance of advances in information technology at the current stage of societal development is in the fact their application can provide assistance in addressing humanity's global problems. Information processes are important elements of other more complex productive and social processes. Accordingly, information technologies are often essential elements of relevant production or social innovative technologies. That line of research is therefore concentrating on the actuality and scientific investigation, related to the core areas of innovative changes in society, economy, education and extensive use of information technology for scientific and technological development.

The monographic studies provide scientific developments of a group of authors, considering the current information and innovative technologies as a factor of development of various areas of production and activity in society.

The first chapter of the monograph « Information and innovation technologies in the economic and social systems» considers issues relating to financial and economic problems of information and innovation technologies development as a contributing factor in improving the effectiveness of economy and business; human interests in system for managing innovative economy in the context of globalization and technological revolution; advanced information technologies in the tourism industry; topical problem of innovative approaches to revitalization of technogenic landscapes; digitalization as a process of digital transformation of society. Information technologies make it possible to enhance and effective use of the information resources of society, which is the most crucial factor of its development. It is shown, that intensification, dissemination and effective use of information resources (scientific knowledge, discoveries, inventions, technologies, innovative

practices) result in substantial savings of other resources, such as raw materials, energy, natural resources, materials and equipment, human resource and social time.

The second chapter of the monograph «Information and innovation psychological teaching methods» focuses on teaching and psychological aspects of social development. Information and innovative support of modern psychological teaching environment should be at such a level that would enable teachers and psychologists to meet the educational challenges it faces in a more efficient way. Nowadays information technologies occupy a central place in the process of society intellectualization, development of its educational and cultural system. Information technologies play a key role in the processes of knowledge acquisition, accumulation and development of new skills and abilities as well. Particular attention is paid to analysis of physical rehabilitation program on obesity among women during health-resort treatment in this monograph; the forecast for development of educational systems under the conditions of the information revolution is presented; the gender-based features of domestic abuse are examined.

The third chapter of the monograph «Information and innovation technologies of public safety» shows considerable concern to the culture of life safety development at all levels, because providing security for the population is a central element of higher living standards. This paper provides an analysis of the latest technologies and their role in the formation of public safety; the specificities of structure development of the range of protective clothing and its elements according to the principles of transformation; innovative and military-industrial components of overcoming contemporary challenges of Baltic Black Sea Region countries are examined.

A group of authors trusts that the monograph provides useful and topical research results for scientists, students and all those interested in contemporary problems and perspectives of information and innovation technologies development in society and their significance to the different spheres of public life.

Aleksander Ostenda
Nataliia Svitlychna

Part 1. Socio-Cultural Aspects of Personality Development

1.1. Formation of creative activity of future teachers of technology in practical activity

Introduction. Need of accounting of calls of an era requires approval of a new paradigm of education. To replace traditional educational model which was based on a priority of simple assimilation and reproduction of information all-round development of the creative human person as equal value becomes a main goal of training in the 21st century. The democratic direction of training focused on creativity, independent way of thinking gives to the person the chance to be prepared for life in the conditions of sociocultural life and professional activity, quickly change. Inclusion of Ukraine into the European community is possible only on the way of innovative development of society. It is possible to provide it only if we create generation of people, both think and work creatively, in a new way. From here – considerable attention to the general personal development, its creative inclinations, communicative abilities, as assimilation of knowledge, independence in decision-making, criticality and the cultures of thinking, development of information and social skills. Purpose of modern education is in transferring to the person deep common cultural bases, to develop its general and creative abilities and inclinations, ability to adapt to dynamic conditions personal, social and professional life. Therefore it is necessary to put and develop in pupils and students deep natural and theoretical bases in a certain sphere of future professional activity, ability to creative and non-standard approaches, logical thinking, enterprise and also the vital competences.

The problem of formation and development of creative activity of the personality acts as one of the main tasks of training and education of children of school age. For this reason before school there is a need to seize technology of formation of creative potential of the child, in particular, of its creative activity, is external manifestation, an indicator of deep process of creativity. Purposeful formation of creative activity of the personality – an important condition of a humanization of educational process, assumes respect for the person, accounting of his identity, informative, creative requirements, bents and interests. Today the issue of high-quality training at school is particularly acute very much therefore to training of future teachers demands which will meet modern requirements of education are made. Educational process has to be focused on development in students of figurative and associative thinking, creative imagination, art abilities. In formation of the competent expert his personal development, formation of positive moral qualities of the personality, readiness for pedagogical activity is important, substantially depend on effectiveness of introduction in educational process of such pedagogical technologies which would allow the student to realize the informative requirements and interests in knowledge, to increase success and quality of training, practical preparation.

The integral component of competence of future teacher is the ability for creative activity. Researches of this component in a projection to training of the teacher of labor training our investigation is also devoted.

Methodology and theoretical foundations. The creative person always was in the center of attention of famous thinkers, philosophers, teachers (Platon, Aristotle, Kant, Fichte, and others). The leading scientists and teachers comprehensively investigated creativity¹and creative activity² of the person in psychological, pedagogical and philosophical aspects: an integrated approach to education of the creative person (Babansky) psychological bases of concepts (Bedlinsky,

¹ Fed N. B. Development of creative abilities of pupils of the main school during practical classes on history, p. 217.

² Mironenko N. V. Creative and intellectual abilities of students and peculiarities of their development in labor training lessons.

Bogoyavlensky, Vygotsky, Galperin, Elkonin, Kostyuk, Matyash, Talyzina); pedagogical aspects of a problem of creativity (Babansky, Bazilenko, Zinovkina, Lysenko, Mironenko, Savchenko, Skatkin, Schukina, Fed) classification of creative abilities of pupils (Andreyev) activity approach of a phenomenon of creativity (Vygotsky, Davydov, Zaporozhets, Elkonin) mechanisms of the developing educational activity of pupils (Rubtsov, Zuckerman) the nature of the subject of activity (Abdulmanov-Slavskaya, Rubenstein); problems of personal development (Bondarevskaya, Kolesnikova, Kulnevich, Nemensky, Slastenin, Shiyarov, Zinchenko) and other.

From domestic figures, influence on philosophical and psychological reflections of the end of the XIX beginning of the XX century about creativity can be allocated the world outlook ideas of Franko³ who considers art creativity as important aspect of esthetic education of the personality, in particular, art creativity is considered in the field of fiction when the artist through the works casts over the reader of experience, feelings, thoughts, induces to creative activity, imagination and so forth.

Discloses the ideas of development of creativity in the works of Sukhomlinsky⁴. He considers creativity in unity with education and training as important aspect of formation of moral, esthetic, emotional qualities of the person. Development of creative abilities induces to formation of comprehensively developed gifted personality, development of such skills and abilities is promoted as, by independence in the choice of knowledge, diligence, ability to allocate the main thing, to define common features, to systematize the separate phenomena in the general vision, stimulates intellectual activity, selection of the material necessary for performance of a specific objective and so forth.

The purpose of article is the research and justification of ways of formation of creative thinking and ability to creative activity of future teachers of labor training (technologies).

Research methods were applied to achievement of the goal of a research: theoretical (the analysis, synthesis, comparison, modeling, comparison, synthesis of data of a research on the basis of studying of psychological, pedagogical, methodical literature, training programs, textbooks) and empirical (the analysis of activity, observation, studying, implementation of the best pedagogical practices of teachers of higher educational institutions and studying of results of activity of students).

Research results. The school of the past was focused on unification of educational process, the «average» personality as result of pedagogical influence. The «average» school did not give to children of all range of the educational help, did not consider their abilities and interests, developed thinking and creativity a little. All material and intellectual resources have to play a role of means which are designed to stimulate the child to study in school. New school – has to be school of culture of vital self-determination. The new school has to teach the child how to make the vital program how to learn itself how to define the vital credo, the life purpose, has to teach introspection, planning, the organization of activity for achievement of definite purposes. At new school the most favorable conditions for manifestation and development of creative abilities and talent of the child, his full-fledged life on each of age stages, for its self-determination have to be created. The new, nonviolent educational system has to be based on amateur performance, an initiative, to creativity, free the choice of the directions⁵.

The school of the 21st century is a school at which the new ideas on the organization of education have to be implemented. In reforming of secondary education in Ukraine at present the most current problem is introduction of profile training. The new school has to function as profile.

³ Franco I. Y. From secrets of poetry creativity, p. 52.

⁴ Sukhomlinskaya O. V. Problems of theory of upbringing of children and young people in Ukraine.

⁵ Guryanova O. Ability for creative activity as a component of competence of the future teacher of labor training, p. 67.

It will create favorable conditions for accounting of specific features, interests and needs of pupils, for formation at school students of orientation to this or that type of future professional activity. The profile school most fully realizes the principle of the personal focused training that considerably expands possibilities of the pupil in creation of own educational program. One of training profiles in high school is tenologichniya which promotes formation of professional skills in the different directions.

Such concepts as «activity», «creativity» need to be investigated in interrelation. The activity is characterized as line of the personality, shown in a ready state and aspiration to independent activity. Creativity can be determined as the human activity directed not only on creation new by contents and a form of material and cultural wealth, but also and on development of the personality. Proceeding from a formulation of concepts of creative activity, it is possible to define it as quality of the personality, based on the high level of spirituality of the personality, it is formed in the course of the related activity, finds the manifestation through quality of this activity, formation of requirement and interest in creative activity, independence and informative activity⁶.

In different views of scientists⁷ on a problem of formation of creative activity the trend of definition of this phenomenon when their thoughts differ not so much in contrast of positions how many degree of completeness of their characteristics, and common features are understanding of creative activity as the difficult identity of quality with emphasis of attention on an initiative of a creative subject and a unique individual image, search and opening new is traced.

Taking into account the level of development of informative activity of the personality, it is possible to allocate the following types of creativity⁸: the person realizing the creative ideas when figurative thinking and memory, productive imagination and touch attention prevails; the person, generates the creative ideas when abstract and logical thinking, verbal memory, abstract imagination and intellectual attention prevails; the person at whom evident and effective thinking, concrete imagination, emotional memory, motor attention prevails.

The structural making updated program for labor training for pupils of 5-9 classes of general education educational institutions⁹ and programs for a technological profile of high school¹⁰ there is practical training, in particular, design and technological activity of pupils. For the purpose of ensuring formation at pupils of the main key and subject competences of process of implementation of projects on labor training in the teacher it is necessary to be able to choose methods, means and organizational forms of education in compliance to the purposes and problems of a lesson. So, from it follow requirements to training of future teachers of labor training - the high level of the general qualification and pedagogical skill are quite logical.

Only the creative person of the teacher is capable to develop creativity of the pupil, to lead it, to develop interest in training which allows to overcome difficulties which at the same time arise. At a lesson the teacher needs to be able to create the atmosphere creative pedagogical interaction with pupils, to promote educational cognitive activity, stimulated activity, to consider the potential of the personality, to attract the out-of-school interests and preferences of pupils to educational process. The teacher of labor training has to create conditions for such educational process which stimulates individual cognitive and creative activity of the school student. In the work he has to use different types of activity, and creation of conditions for creative personal development of the pupil has to be his main task. In this regard main types of training is search creative work, work

⁶ Lysenko O. Gifted child in collective creative activity, p. 45.

⁷ Mironenko N. V. Creative and intellectual abilities of students and peculiarities of their development in labor training lessons, p. 9-10.

⁸ Fed N. B. Development of creative abilities of pupils of the main school during practical classes on history, p. 218.

⁹ Labor education grades 5-9. The program for secondary schools.

¹⁰ Concept of profile education in high school.

with additional literature, the solution of problem situations¹¹. These methods of training stir up cerebration of pupils, form ability to create, analyze, compare, build hypotheses, to see a key part of the problem and so forth.

The teacher of labor training the ability to constantly develop creative professional experience, desire to increase scientific competence, to gain new knowledge has to be inherent and on the basis of this knowledge to develop the corresponding skills of pedagogical work. The teacher of labor training will organize and directly carries out educational process. He explains to school students new material, arms them with knowledge, learns to apply this knowledge in practical activities, directs labor process of pupils and formation at them practical skills, will organize independence of school students in work, contributes to the development of their creativity. The leading role of the teacher in implementation of labor training consists in ability to expect the training course, to direct it in the successful ways, to know possible difficulties and in advance to train school students for their overcoming. In order that the teacher could give competently classes, operate labor process and education of pupils, he has to have the corresponding preparation. In professional model of the teacher such components as competence, personal orientation, moral spiritual culture, a professional position of the teacher have to be combined¹².

Competence – a circle of powers of the person, a circle of questions on which it has certain knowledge, certain experience. Modern scientists in the field of pedagogics allocate several components in structure of professional competence of the teacher: a) theoretical readiness of the teacher for activity assumes presence at it of analytical, predictive, projective, reflexive abilities; b) practical readiness of the teacher appears in external abilities by means of which actions which can be observed are carried out. Treat them organizing (mobilization, information, developing, orientation) and communicative (perceptual, pedagogical communication, the pedagogical equipment)¹³.

Compulsory work of the free person cannot be not creative. Therefore one of problems of labor education at school is development of creative abilities of children. It is successful only the teacher who is a creative person can carry out this task. The higher educational institutions training teachers constantly have to have it in a look and consider as much as possible during the planning and the organization of teaching and educational process.

Researches¹⁴ show that students willingly attend classes if they interesting, clear and informative. On occupations researchers it is specified by one of effective methods of application three-dimensional visualization that contributes to the development of spatial ability of those who study. Application of techniques of high-quality teaching and training demands active interaction with students. Such interaction is difficult reached at contact of the teacher with a large number of listeners, it is difficult to teacher to focus individually on everyone to the student and to adapt to his specific features of educational cognitive activity that as a result brings to that, not all students can keep up with rates of teaching. Considering group methods of training as more convenient for the teacher, both interesting and effective to students, it is specified that such methods of training in small groups induce students to full participation in educational process, and it is much easier for teachers to estimate the occupations in these groups.

¹¹ Guryanova O. Activation of creative thinking of students with the help of new pedagogical technologies.

¹² Guryanova O. Growing requirements for the training of teachers of technology and the problem of their provision.

¹³ Latvian V. L. Psycho-pedagogical aspects of teacher training for work in informatization of education, p. 105.

¹⁴ Yip, J., Wong, S. H., Yick, K. L., Chan, K., & Wong, K. H. (2019). Improving quality of teaching and learning in classes by using augmented reality video.

The main forms of educational activity of the students studying modern scientists¹⁵ are frontal, individual and group, making the complete system of educational activity in higher education institution.

In professional education allocate group, individual, individual forms of education are separated. Investigating creations of predictive models of training of skilled workers of the sewing industry, in it is¹⁶ specified that «for creation of an artistic image means of composition of a suit the cutter has to conform to requirements imposed before experts of professions like «people – an artistic image»... 2. The developed perception of color, an eye estimation, imagination. 3. Independent way of thinking, imagination, flexibility of thinking. 4. The developed esthetic sense, feeling of beautiful...».

For future teachers of labor training development of creative abilities and formation of practical skills of development of technological processes is extremely important. Therefore the important place in vocational and practical training of future teachers of labor training is played by the disciplines forming specialized production and technological competence of experts, in particular «Educational and technological practice» and «A technological practical work» (it is studied by students during five semester).

«The technological practical work» (the servicing types of work) is the purpose of studying of discipline assimilation by students of knowledge of technology and designing of products of light industry, the range of garments; forming of abilities to carry out the choice of ways of processing of garments from accounting of properties and technical characteristics of the equipment of sewing production. A problem of a course is to open scope of studying of discipline: methods of designing and modeling of zone and shoulder products and ways of processing of garments from different textile materials; teach to select ways of processing of garments using different main, applied and finishing materials for production of models of clothes to create ability to select from the range materials for creation of models of zone and shoulder products¹⁷.

When holding laboratory researches on a subject matter «The technological practical work» (the servicing types of work) is used by frontal, individual and group types of activity, make the complete system of educational activity in institutions of higher education.

The frontal form of the organization of educational activity provides training by one person of group of students. All students in each timepoint work together or individually on one task with the subsequent control of results. Students should work at uniform speed, performing the teacher's task, but considering the different level of activity of students it is difficult to provide uniform execution of the tasks set on occupation.

At an individual form of the organization of educational activity each student works independently, the rate of its work is defined by degree of commitment, development of interests, tendencies. Such form of work on laboratory occupations can be applied if students perform individual tasks, for example during the tailoring of garments of having difference in ways of processing of the main seams and knots, the sequence of production, registration, finishing and so forth. For creative, gifted students the teacher can perform with the high level of activity as the consultant, the facilitator¹⁸.

To students with average and low level of informative activity, the teacher will explain and show each stage of the sequence of production of garment, will have negative effect on formation of practical skills, creative abilities of experts and will promote mechanical reproduction of processing of knots of garment.

¹⁵ Higher school pedagogy. Group work of students.

¹⁶ Yezhova O. V. Theory and practice of creating prognostic models of training of skilled workers in the sewing industry: Monograph.

¹⁷ Summaries of disciplines.

¹⁸ Guryanova O. V. Use of creative pedagogical interaction in technology classes, p. 102.

The group form of the organization of educational activity is a form of the organization of training in small groups of the students united by the common educational goal. At such organization of training the teacher directs work of each student indirectly, through tasks which he directs activity of group. Group training opens for students of a possibility of cooperation with the classmates, allows to realize natural aspiration of each person to communication, promotes achievement by students of good results of assimilation of knowledge and formations of abilities. Such model is easily and effectively combined with traditional forms and methods of training and can be applied at various grade levels. The relations between the teacher and students gain the nature of cooperation because the teacher directly interferes with work of groups only if students have questions and they ask for the help it¹⁹.

Each of the above-stated types of activity has the advantages and shortcomings therefore depending on the purpose of occupation and the maintenance of tasks which are set for students and also their abilities the teacher has to think over carefully a form of the organization of training and types of tasks.

Considering the level of informative activity of students (reproducing, interpreting, creative) and their abilities, it is possible to unite them in four typological groups. To the first group it is possible to carry students capable to a subject which are able to work independently, to think creatively, easily acquire and reproduce theoretical material, to carry out all types of tasks. The students having good knowledge of a subject treat the second group, have skills of independent work, are able to analyze material, to allocate in it essential, to generalize the facts, however, unlike the first group, these students have no high performance, acquire a training material more slowly. Members of the second group experience difficulties at the solution of creative tasks and, as a rule, need some help from the teacher. Students of the third group have average educational opportunities, have knowledge and skills, answering to obligatory results of training, apply material on a sample, analogy, solve only standard problems; educational activity of such students demands operating control. Students of the fourth group have low educational opportunities, they poorly perceive and acquire a training material, are not able to solve the simplest problems, do not possess operations of thinking (synthesis, the analysis, generalization, allocation of essential), they need the constant help from the teacher or other students²⁰.

On the basis of the considered typological groups educational homogeneous groups which part students only from one typological group are are created. For example, on laboratory researches «A technological practical work» it will be expedient to unite students at production of garments in groups with identical ways of processing of the main seams and knots.

To heterogeneous groups students from different typological groups enter (different in level of training). Association of students in heterogeneous groups will promote mutual aid, increase in activity in groups and overall performance on occupations. For example, for removal of dimensional signs from a figure of the person, carrying out fittings of garment, association of products in a clothes collection for further demonstration of models at competitions and displays of fashion.

The teacher distributes students on typological groups by observation of their educational activity, carrying out questioning or the analysis of results of performance of written and practical works. If desired creations of heterogeneous groups, it is possible to use a method of «accidental coincidence»: on color of eyes on the birth of this or that of season; after favourite color with use «Pandora's boxes» (in a box small objects of several types, by the number of microgroups which

¹⁹ Karpluk S. O. Group form of organization of educational activity of students of natural and mathematical disciplines.

²⁰ Pometun O. I., Pirozhenko L. V. Modern lesson. Interactive learning technologies, p. 26.

students, without looking choose in one subject which is the cause of association in microgroup mix up).²¹

To mean that accommodation of students in group and also groups in audience affects efficiency of group work. Depending on the maintenance of a task, group work is divided into two views – undifferentiated (all groups will receive identical tasks on sense) and differentiated (groups will receive tasks, different in the contents). During undifferentiated group work all students of group can carry out tasks in identical volume or students of the first and second typological groups carry out tasks in bigger volume, and students of the third and fourth groups – in smaller. For example, on laboratory researches «The technological practical work», «Educational and technological practice» garments (zone, humeral) can significantly differ in complexity of technology of tailoring, application of different types of decorating of clothes and so forth.²²

The option of the differentiated and undifferentiated work of students within one group is possible. During undifferentiated work of students as joint efforts perform the offered tasks of identical complexity. The differentiated work in groups is more difficult. Students perform tasks of different complexity compliance with the abilities.²³

The head of group (student) distributes tasks between other students, directs work, generalizes results of members of the group, helps, in case of need, the companions, checks correctness of the performed tasks. The teacher from students assistants obtains information on the level of assimilation of a training material, performance of tasks by each student of group.

Group educational activity of students allows to organize productively work on occupations, it will be more effective if to combine it with other forms of the organization of training. For example, when holding laboratory researches on a subject matter «The technological practical work» of substantial modules «Technology of Performance of Manual and Machine Seams» or «Pouzlovaya Processing of Garments», at the beginning of the occupation expedient will be application of a frontal form of the organization of activity when the teacher shows all sequence of performance of a practical task before audience. Further students work individually with a possibility of association in groups with changeable structure depending on the rate of performance of a task. Such mode of work is most effective when all students are faced by an identical task²⁴.

Pedagogical interaction is process of joint activity of the teacher and student which attributes are: presence of participants at uniform time and space, creates a possibility of personal contact between them; existence of a common goal, the expected result of activity which is equitable to the interests of all and promotes realization of needs of everyone; planning, control, correction and coordination of actions; distribution of uniform process of cooperation, joint activity between participants; emergence of the interpersonal relations.²⁵

To key concepts of pedagogical interaction interactive methods of training belong. Interaction is understood as direct interpersonal communication as which major feature the ability of the person is recognized «to accept a role of another», to represent how it is perceived by the partner in communication or group and to respectively interpret a situation and to design own

²¹ Higher school pedagogy. Group work of students.

²² Retuncka V. V. Ways of organizing group educational activities of younger teenagers in order to develop their cognitive activity.

²³ Mironenko N. V. Design and Technological Activity in Technology Lessons: Educational and Methodological Manual for Students of Higher Educational Institutions of Specialty «Technological Education», p. 79-80.

²⁴ Khrinenko T. Peculiarities of application of group training activities in practical training of future teachers of labor education, p. 156.

²⁵ Sirotenko G. Modern Lesson. Interactive Learning Technologies.

actions. Pedagogical interaction is an exchange of activity between the teacher and the student in which activity of one causes activity of others.²⁶

The interactive Microphone technology can be referred to technology it is general group discussion, it allows all to tell something quickly, in turn, answering a question or expressing the opinion or the position if someone speaks, others cannot speak or cry out from the place. This technology allows to gain the skills necessary for communication and cooperation, expressions of opinions helps to feel personal opportunities and to strengthen them. Let's give an example of application of interactive exercises when studying the subject «Technology of Machine Operations» after statement of new material, for the best fixing of new material, to pupils «Microphone» is offered to carry out exercise. For this purpose, students throw each other a tennis ball and in turn (that at whom a ball in hands) machine seams call. The teacher the first calls group of seams (connecting, regional, finishing) and passes a ball to pupils. Further each participant has to call at first any seam which enters in specified groups of machine seams, and then to call group of seams with which the following pupil will specify the name to a seam again. Who cannot call a seam or calls already specified gives «microphone» further and leaves a game. A game comes to the end when called all seams or when there is in a game one person²⁷.

Application of interactive training at occupations gives the chance to students in full to analyze educational information, to approach creatively assimilation of a training material and to make assimilation of knowledge simpler; to learn to formulate own opinion, it is correct to express and to skillfully prove the point of view and is reasoned to be able to discuss; to learn to listen to other person, to respect her subjective opinion; to model various life situations, to add to own experience due to modeling function inclusion; to learn to build the constructive relations in group, to avoid the conflicts and if they already occurred, then was able to solve them, to look for compromises, to seek for dialogue and consensus to develop skills of independent work.²⁸

The important part in practical training of future teachers of labor training is assigned to ability to develop design and technological documentation, necessary for production of a product (project): to create drawings, sketches, technical drawings, drawings, schemes of future objects of design and technological activity. In production activity of the teacher of labor training and technologies often there is a need for the evident image of the projected garment, for ability it is correct to read the sketch, to see proportions of future product, to understand properties of material. These skills receive, as in the course of studying of theoretical material on a subject matter «The drawing and composition of a suit», and, first of all, during performance of practical tasks on this discipline. Performance of practical exercises promotes creative search, formation of creative imagination and art abilities.

In the course of a plan and creation of the sketch of future projected garment the student uses various sources of inspiration which can become any phenomena and objects, inducing to activization of creative process. To the idea can go in the direction of the search of color, the invoice, a form having novelty and originality²⁹.

On a practical training of a subject matter «The drawing and composition of a suit» students learn to choose a creative source and to carry out its natural sketches. Using methods of transformation, the student subjects a source to transformation from natural sketches to suit forms. At transformation of a creative source use such receptions: transfer – replacement of some structural elements of an object with others; connections – association of parts of a design of an object; merges – imposing of one silhouette or part of a design on another for receiving new

²⁶ Guryanova O. V. Use of creative pedagogical interaction in technology classes, p. 103.

²⁷ Solovey I., Abramova O. Interactive interaction of students in «Technology» classes, p. 80.

²⁸ Guryanova O. V. Pedagogical innovations in technological education: Lecture course.

²⁹ Guryanova O. V. Costume Composition, p. 24-25.

borders; generalization – simplification, cutting off of details, reduction to simpler forms, geometrization; typification of similar and interconnected forms and their properties – reduction of similar forms in one through cutting off of signs, distinguish them. Transformation of a source includes a number of stages: research (studying of a source of creativity by means of visual observation); implementation of the drawing from nature or copies (natural sketches, sketches) graphical analysis (characteristics of a creative source, typical lines are analyzed and come to light: forms, silhouette, textures, color schemes, main volumes and partitionings, rhythmic organization, transfer of plasticity, etc.); performance of transformation in the silhouette forms which are brought closer to proportions of the person (search of the plastic decision, stylization, identification of means of the embodiment of an artistic image, means of the organization of a form, etc.); performance of logical ranks – transition from abstract and confidants silhouette forms to identification of form-building means of the organization of a suit and an artistic image, the sketch of a suit image turns into the sketch of a real suit. Application found in process of transformation of the ideas of means of composition: symmetry, proportional partitioning of a silhouette, rhythmic organization, arrangement of accents. The main objective of this stage is preservation of figurative and associative communication with an inspiration source; development in logical ranks and fair to sketches of sets and ensembles of different function (stylization manifestation, a trope of contents, reading of a source in the context of the directions in fashion)³⁰.

Practical exercises of performance of logical ranks after the carried-out transformation of a creative source, transition from abstract and confidants silhouette forms to concrete uses of the ideas, carried out in the course of transformation and creation of sketches of clothes on the basis of creative sources stimulate development of creative imagination and art abilities of future teachers of technologies. Art exercises set theoretical knowledge and intensify creative process and creative imagination. The creative imagination – accompanies creative activity and helps to create new original images and the ideas. Creative imagination, supplementing creative thinking and interacting with it, makes a basis of human creativity which product is the artistic image.

On occupations students also get acquainted with integrity of composition, contrast and nuance as means of composition, proportions, types of symmetry and asymmetry, a rhythm in clothes, the composite or semantic center in suit composition and so forth. Studying of the concepts «invoice» and «texture» and acquisition of practical skills of the image of invoices in sketches of a suit, mastering of ways of imitation of different types of invoices is important. Acquaintance from a chromatics takes the important place when studying the course «Drawing and Composition of a Suit». Acquaintance to various modern clothes styles happens to the help of the designer, consisting of the drawn templates of the person and a set of different types of clothes in different styles. Future experts learn to make various ensembles of clothes on chosen as style appointment.

Studying by future teachers of labor training in a subject matter «The drawing and composition of a suit» stimulates creation of creative process, generation of the new ideas, reproduction in modern projects of cultural and national traditions, ensuring integrated approach to understanding of creative process in general and so forth.

Conclusions. In formation of ability to creative activity of future teachers of labor training and technologies search of optimum methods, forms of the organization of educational activity of students which use will promote mastering knowledge and the generalized ways of actions in concrete pedagogically production situations is relevant. In a research are considered ability to creative activity as the being competence of the modern teacher in general and teachers of labor training in particular, and preparation for creative activity, development of creative abilities of

³⁰ Guryanova O. V. Formation of creative imagination and artistic abilities in future teachers of technology, p. 113-114.

future teacher of labor training – as the integral component of its vocational training, formation of his competence.

In programs of the training courses studying future teachers of labor training it is put first of all orientation to school. It is expressed in the content of theoretical, laboratory occupations, scope of creative works. When teaching subject matters of the practical direction the attention to development of design abilities, spatial thinking, imagination, esthetic taste, an opportunity to gain skills of manual work is paid, to receive bases of professional skill. Application of group form of education on occupations promotes the professional growth, improvement of practical training of future experts, ability to creative and non-standard approaches and also to formation of the vital competences. When forming homogeneous or heterogeneous educational groups, depending on the maintenance of a task, group work can be divided into two views – undifferentiated (all groups will receive identical tasks on sense) and differentiated (groups will receive tasks, different in the contents). Work of students in small groups promotes advance of joint innovations, team work and cooperation with peers. Interactive pedagogical interaction is characterized by high degree of intensity of communication of its participants, their communication, exchange of activity, change and a variety of its types, forms and receptions, a purposeful reflection participants of the activity and interaction, took place.

Study in methodical literature of practical techniques, development of a set of exercises on classes in technologies, contributing to the development of creative imagination, art abilities, esthetic and art taste, creation of bank of tasks for frontal, individual and group forms of the organization of educational activity of students of specialty Secondary education is perspective (Labor training and technologies).

References:

1. Concept of profile education in high school, Order of the Ministry of Education and Science of Ukraine № 1456 of 21. 10. 2013.
2. Fed, N. B. (2016). Development of creative abilities of pupils of the main school during practical classes on history. *Taurian Herald of Education*, (2), 215-220.
3. Franco, I. Y. (1969). From secrets of poetry creativity. Kyiv, 29-136.
4. Guryanova, O. (2009). Ability for creative activity as a component of competence of the future teacher of labor training. *Collection of scientific works of Kamianets-Podilskyi Ivan Ogiyenko National University*, (15), 66-68.
5. Guryanova, O. V. (2009). Growing requirements for the training of teachers of technology and the problem of their provision. *Academic Notes. Series: Pedagogical Sciences*, (87), 68-72.
6. Guryanova, O. V. (2013). Activation of creative thinking of students with the help of new pedagogical technologies. *Academic Notes. Series: Pedagogical Sciences*, (120), 117-127.
7. Guryanova, O. V. (2014). Costume Composition: Workshop: educational manual. Kirovohrad, 88 p.
8. Guryanova, O. V. (2014). Pedagogical innovations in technological education: Lecture course. Kirovohrad, 60 p.
9. Guryanova, O. V. (2014). Use of creative pedagogical interaction in technology classes. *Scientific notes of Berdyansk State Pedagogical University*, (1), 99-104.
10. Guryanova, O. V. (2016). Formation of creative imagination and artistic abilities in future teachers of technology. *Academic Notes*, 2 (10), 112-115.
11. Higher school pedagogy. Group work of students.[Electronic resource]. Access mode: http://pidruchniki.com/13870502/pedagogika/grupova_robota_studentiv
12. Karpluk, S. O. (2007). Group form of organization of educational activity of students of natural and mathematical disciplines. *Actual problems of mathematics and methods of its teaching: Collection of scientific works*, Zhytomyr, 29-34.
13. Khrynenko, T. V. (2017). Peculiarities of application of group training activities in practical training of future teachers of labor education. *Academic Notes*, 3 (11), 155-157.

14. Labor education grades 5-9. The program for secondary schools. The program was approved by the Order of the Ministry of Education and Science of Ukraine №. 804 of 07. 06. 2017.
15. Latvian, V. L. (2005). Psycho-pedagogical aspects of teacher training for work in informatization of education. *World of psychology*, (1), 103-115.
16. Lysenko, O. (2001). Gifted child in collective creative activity. *Gifted Child*, (1), 44-45.
17. Mironenko, N. V. (2011). Creative and intellectual abilities of students and peculiarities of their development in labor training lessons: [educational allowance for students of high educational pedagogical principles]. Kirovohrad, 94 p.
18. Mironenko, N. V. (2011). Design and Technological Activity in Technology Lessons: Educational and Methodological Manual for Students of Higher Educational Institutions of Specialty «Technological Education». Kirovohrad, 160 p.
19. Pometun, O. I., Pirozhenko, L. V. (2004). Modern lesson. Interactive learning technologies: a scientific and methodological manual. Kyiv, 192 p.
20. Retuncka, V. V. (2009). Ways of organizing group educational activities of younger teenagers in order to develop their cognitive activity. *Innovative and modern pedagogical technologies of teaching mathematics* [Avramenko, O. V., Lutchenko, L. I., Retuncka, V. V., Rizhnyak, R. E., & Shlianachak, S. O.], Kirovohrad, 200 p.
21. Sirotenko, G. (2003). Modern Lesson. Interactive Learning Technologies. Kharkiv, 80 p.
22. Solovey, I., Abramova, O. (2018). Interactive interaction of students in «Technology» classes (high school). *Echnological and professional education: All-Ukrainian collection of scientific works of students, graduate students, teachers and teachers of institutions of general secondary education*, (3), 77-81.
23. Sukhomlinskaya, O. V. (1997). Problems of theory of upbringing of children and young people in Ukraine. *Pedagogy and Psychology*, (4), 109-125.
24. Summaries of disciplines. [Electronic resource]. Access mode: http://phm.kspu.kr.ua/images/kafztd/anotatsion/%D0%90%D0%BD%D0%BE%D1%82%D0%B0%D1%86%D1%96%D1%97_%D0%B4%D0%B8%D1%81%D1%86%D0%B8%D0%BF%D0%BB%D1%96%D0%BD.pdf.
25. Yezhova, O. V. (2016). Theory and practice of creating prognostic models of training of skilled workers in the sewing industry: Monograph. Kirovohrad, 472 p.
26. Yip, J., Wong, S. H., Yick, K. L., Chan, K., & Wong, K. H. (2019). Improving quality of teaching and learning in classes by using augmented reality video. *Computers & Education*, (128), 88-101.

1.2. Method of forming an individual style of professional activity of future physical education teachers in the process of pedagogical practice

The professional activity of physical education teachers retains a decisive influence on the formation of consciousness of the young generation, differing in the specifics of applying promising ideas, fulfilling the tasks of the state policy on preserving and enriching the spiritual, physical and mental health of future generations. However, unfortunately, by this time the physical education teacher is forced to uphold the prestige of the subject. Intimidation of non-seriousness of classes (physical education is sometimes meant as classes of physical exercises – running, jumping, throwing, for the sake of pleasure), non-recognition of the values created by physical education cause the non-serious attitude to this sphere of this activity. Often, physical education is not given proper meaning in general education institutions.

Such phenomena reinforce the need to form an individual style of professional activity (ISPA) already in the process of pedagogical practice. After all, it is common knowledge that students always respect the physical education teachers, in some actions and behaviour of which there is consistency, thoughtfulness, determination, courage. According to D. Leontiev's³¹ theory of activity, an individual style of professional activity of teachers is formed during and as a result of the implementation of training, educational, self-educational, administrative, organizational, extra-curricular, scientific and research functions, and in parallel manifests the integrity of the gnostic, communicative, constructive, design and organizational components. Therefore, it is important for the research that the ISPA of future physical education teachers emerges and develops in the interaction of the subject with specific types of activities (education and training, training and research, scientific-research) that serve as an indispensable condition for mastering the profession.

Purposeful development of ISPA of future physical education teachers in the process of pedagogical practice is based on the consideration of strengths and weaknesses of personal qualities, typological characteristics and is realized on the basis of external influences on students within their self-realization. In this way, self-actualization of potential individual resources of future teachers will be carried out.

Students go through various types of internships throughout the study period, which implies continuity and consistency of its implementation in order to acquire and apply practical knowledge and skills. In accordance with the purpose of the directional pedagogical practice, the future physical education teachers, being in the real educational process, practically deepen, summarize, consolidate and systematize the acquired knowledge, professional skills in the organization of physical-health, mass-sports and health-development process in educational institutions.

Therefore, it is important that practice managers, methodologists, experienced educators systematically conducted indirect influence on the development of the personal qualities of future physical education teachers, on the determination of their needs, motives, actualization of abilities, willing efforts, etc. The effectiveness of development will depend on the nature and conditions of interaction of the subject with the educational environment, in which future teachers realize the acquired professional knowledge, skills and skills in the organization of physical-health, mass-sports and health-development process in educational institutions, as well as professional development of self-realization in professional activity.

Trainees compare the pedagogical styles of different teachers, coaches and try to determine the most suitable ones (1-st and 2-nd courses). One of the challenges in teaching practice of the III course is to familiarize with the duties of an assistant teacher, as his «alternate». The student-

³¹ Leontiev D. A. Individual style and individual styles – a view from 1990. Human style: psychological analysis: monograph /ed. A. V. Libina. M.: Sense, 1998. Pp. 93-108.

trainee performs the tasks of the practice, observing the work of an experienced teacher, under his supervision, conducts mini-lessons and tries to imagine himself in the place of the teacher, notes his vision of how he would do in one or another situation, which position he would take in a dialogue with the student. Such ideas are a propaedeutical manifestation of own individual style of behaviour, manner of communication, organization of interaction with students and a teacher-methodologist. Targeted practice (IV course) gives the student-trainee the opportunity to perform the duties of a physical education teacher. The student performs the entire cycle of duties, is aware of the mechanisms of interaction with the class (group) where the practice is conducted. The student recognizes the whole process of physical education of students or a certain period. The final link in the practical training is the undergraduate (state) practice (VI course), which is carried out with the fulfilment of all functional duties by a future physical education teacher. The purpose of this stage of through practice is to deepen, consolidate and reflect the acquired theoretical knowledge, skills, practical actions.

At this stage the issues of self-knowledge and self-actualization, determination by the future specialist of his / her own peculiarities, awareness of his / her personality and thus the possibility of the process of formation of ISPA are especially acute. The results of reflexive actions and their intensity determine students' understanding of the value of the field of physical education and sports, the profession of physical education teachers, the social significance of his professional activity.

We have singled out three stages of forming ISPA in this research. The goal and target guidelines of the stage of adaptation provide practical mastering of essential characteristics, functions, forms, techniques, professional methodological tools of the teacher of physical education, create sustainable professional interest and positive motivation to master the profession. These objectives are justified, since the first-year students, being (in the propaedeutic teaching practice) in real the vocational and educational environment will become acquainted with the professional qualification standards of professional activity of the physical education teachers, exhibit indifferent and passive attitude to the educational realities. This is because professional success for them is not yet the benchmark and criterion of activity. Motivational value attitude to mastering professional pedagogical knowledge and formation of ISPA is indifferent. The volume of knowledge and willingness to use them in specific pedagogical situations is insufficiently defined and understood. Such student-trainee's willingness is determined primarily by success in solving practical orientation that tends to reproduce their own previous experience and expertise of teachers for the work which they had seen. Professional-pedagogical activity student-trainee organizes according to the scheme and algorithm, which have been worked out at seminars and practical classes in the institutions of higher education, the manifestations of an individual style are spontaneous and are not always successful.

In the implementation of the tasks of the first stage, the main focus is on the development of a motivational-value component (forming an idea of the essence and importance of pedagogical activity, the need to form ISPA, value orientations for the pedagogical activity of physical education teachers, mastering the ways to analyze the manifestations of individual characteristics). The content of the activity of the formation of the motivational-value component of the individual style of professional activity of future physical education teachers includes the activation of the students' cognitive activity during the theoretical and practical preparation in the institutions of higher education, development of positive motivation for forming ISPA; purposeful stimulation of formation and development of personal qualities that determine the attitude of the individual to the professional activity.

The main motivation techniques to deliberate formation of ISPA can be: motivation for reward (the desire to be recognized, to receive high praise for activity, to receive approval from significant people), the attractiveness of the process of purposeful formation of ISPA and its

results. The nature of subject-subject interaction is determined by personal preferences, interests, motivational readiness, the levels of ISPA students-trainees' development.

We support T. Mikhailova's³² opinion that students' awareness of probable causes of conflicting situations and problematic issues serves as an effective means of developing an individual self-improvement program. Therefore, it is advisable to include in the content of the program certain ways of solving definite problems, determined by future specialists, namely: acquisition of readiness and development of individual style, revealing of the weak and strong aspects of a personality. In this regard, an important stage in the formation of ISPA is the stage of individualization, which is characterized by the search for a future specialist of means for affirmation and expression of own personality and a more stable value attitude towards professional activity.

Within this stage the students are trying to find opportunities for the realization of acquired psychological and pedagogical knowledge, reveal their desire to realize of their own methodological achievements. Productive ways of interacting, awareness of functionality through the reflective actions of the subjects are preferred. Creating problematic situations for the formation of ISPA in the process of pedagogical practice, we ensure the intensity of the student's dialogue with the teacher. There is a possibility of understanding and formulating the problem, finding its solution in the process of analyzing conditions, agreeing positions, developing non-standard approaches, blocking reproductive actions and applying their own innovative solutions according to the individual characteristics of the trainee. Discussion of specific situations that have arisen in the physical education lesson as a result of such actions activates the transition from passive knowledge of trainees to their active application in real situations, which certainly influences the development of an individual style.

At this stage we take into account individual anthropometric, psychological characteristics, communicative abilities of students, on this basis we make a positive emotional color, in the situation of mutual understanding, creative communication of teachers, methodologists, leaders of practice and student-trainees.

The purpose and tasks of the integration stage are to create a stable system of integration of professional knowledge in the field of physical education and sports with knowledge and skills in the field of pedagogy and psychology. Such integration is characterized by an increase of the effectiveness of pedagogical activity, the stability of ISPA manifestations, the establishment of cooperative relations and co-creation with students and colleagues. Within this stage the qualitative characteristics of the formation of the individual style of professional activity of future physical education teachers are diagnosed; reflexive understanding of the manifestations of own individual style and correction of positions in specific pedagogical situations; improvement of pedagogical and sports skills on this basis take place. Positive-emotional orientation of student-trainee's activity stimulates his creative activity. An important place in the pedagogical practice of students is occupied by such manifestations of ISPA as: pedagogical improvisation, pedagogical intuition, imagination that contribute to the original productive solution of the pedagogical tasks.

At the integration stage there is a comparison of one's own achievements with reference models, a reflective understanding of ISPA actions, aimed at successful implementation of the tasks of practice, self-improvement, growth of pedagogical skills, the implementation of ISPA in professional activity. The conclusions have been drawn up and plans have been made for each subsequent stage of through teaching practice. In fact, at this stage a stable system of individual, specific for this student-trainee of the ways of solving the positional-situational problems that arise during pedagogical practice, is formed and is characterized by an individual-specific approach to the organization of physical-health, mass-sports and health-development process in educational institutions. This

³² Mikhailova T. A. Professional training of the future physical education teacher in the process of pedagogical practice: author. diss. ... cand. ped. sciences: 13.00.08. Chelyabinsk, 2004. P. 12.

stage is marked by an increase of the effectiveness of sports and pedagogical activities, the stability of ISPA manifestations, the establishment of cooperative relations and co-creation with students and colleagues.

For efficiency of interaction between a teacher-practitioner, Head of trainees and students-trainees it is important to direct it to the disclosure of the potential capabilities of each student, to motivate the need for success in the realization of pedagogical tasks in the lesson, to establish mutual understanding and mutual respect in communication with the students, which is an important condition for pedagogical interaction.

For successful formation of ISPA of future physical education teachers in the process of pedagogical practice, heads of practice, lecturers of the institutions of higher education sometimes have to change their own position, taking into account the individual characteristics of the future physical education teacher. In the process of fulfilling the tasks of through pedagogical practice, we have tried to create the following situations which contributed to the actualization of the reflexive position of future physical education teachers, the formation of positive self-perception, stimulation of the need for self-perception and self-development. That is why it was suggested to analyze in detail what contributed to the achievement of the set goals and what hindered the movement to success in the trainee's behavior at the lesson. The reflexive analysis of the lessons has also been performed using the techniques of «Reflexive Ring», «Reflexive Circle», «Mini-composition» and others.

The proposed approach not only convinces the student of the need to make certain changes in the behavior of the lesson, the attitude to the students and pedagogical practice in general, but also creates favorable conditions for the formation of ISPA. Interactive technologies in the teaching practice of future teachers contribute to the growth of future activity of future physical education teachers and their motivation to innovation activity. They enable the transition from passive learning to their active application in the real situations of pedagogical activity.

The introduction of the characterized method contributes to the realization of pedagogical conditions that wholly form an educational and development environment in which the elements of ISPA are manifested and developed, considering professional specificity. Conducting physical education classes, because of their dynamism, emotionality and high degree of student mobility, is quite difficult in terms of management, organization, education, as compared to other disciplines. The teacher of physical education in collaboration with the pupils not only overcomes the difficulties in training and education of students, but also solves a number of health problems facing them. These include enhancing health, promoting normal physical development of children, forming the correct posture of students, nurturing personal hygiene habits, achieving a certain level of development of physical abilities at a certain age, learning complex coordination activities, as well as acquiring theoretical and practical knowledge about physical education, education of strong-willed qualities (determination, courage, endurance, perseverance and discipline) when performing certain exercises or when achieving sports results during competitions.³³ The defining feature is that the object of professional activity of the physical education teacher is student's physical development and health, and the goal is to achieve a high level of their physical culture.

Analyzing the manifestations of ISPA of a student-trainee, we determine how the effectiveness of its practical actions is achieved. After each successful lesson, his practical experience is supplemented by pedagogical findings that enhance his individual style not only because they are now the most successful, but also because they bring pleasure from professional activity, give rise to a state of emotional comfort, a sense of personal freedom.

³³ Alexeev A.A., Gromova L.A. Understand me correctly or a book on how to find your style of thinking, use intellectual resources effectively and gain mutual understanding with people. St. Petersburg: Econom. sch., 1993, 352 p.

Diagnosing the levels of ISPA of students-trainees can be made in terms of meaningful, dynamic and productive characteristics.

The substantive characteristics-antonyms are: the dominant orientation of the student-trainee in the educational process; on learning outcomes; adequacy – inadequate of planning of physical education lessons and extracurricular sports activities; promptness – conservative introduction of innovative approaches to solving pedagogical situations, reflexivity – intuition.

The characteristics that reflect the dynamics of educational processes and individual style of the teacher are: a tendency to take a traditional approach to solving a problem or being innovative; impulsiveness or caution; stability – instability in relation to the changing pedagogical situation; stability of emotional-positive attitude towards students or unpredictability in emotional manifestations; personal anxiety – confidence and calm caused by conviction in the justice of one's own decisions and the expediency of displaying an individual style of behavior in a particular situation; in an inadequate situation, the focus of reflection on one's actions – or external circumstances – or on others. We define the characteristics that determine the effectiveness of ISPA: the achievements of students with whom the student-trainee works; stability or instability of ISPA manifestations; motivation to fulfill the tasks of pedagogical practice.

The optimal individual style of professional activity of the future physical education teacher according to the results of diagnosis and self-diagnosis and reflection is determined by the ability adequately adapt to the conditions of pedagogical activity and specific pedagogical situations; flexibility in the use of one or another way of solving problems that arise depending on the trainee's capabilities, student behaviour and other factors of the educational environment; innovativeness in search and mastering the new ways of professional activity, their implementation in practice; predictability – predicting and preventing negative environmental impacts on professional activity and ability to create comfortable conditions for successful implementation of ISPA; the presentability, the representation of the individual «I», its self-determination; humanistic orientation.

So, if a student-trainee successfully realizes own creative ideas in the professional activities, gets pleasure from the results of work, effectively organizes the process of development of physical education of pupils and positively contacts with pupils, who treat him with respect as a teacher and sports coach, his style of teaching activity may be considered optimal and individual.

The formation of ISPA of future physical education teachers depends on the position that the student-trainee will occupy with respect to the students' own cognitive activity and pupils' cognitive activity, development of students' physical education, ways of their thinking, as well as position of individual style of professional activity in the process of direct involvement in pedagogical practice.

Among the existing styles of professional activity, it is important for students-trainees to learn in different situations to choose the most appropriate techniques and methods of professional activities. The mark of ISPA formation is the ability to use, depending on the situation, those methods that characterize the highest level of professional skill of the teacher.

To create an individual style means to find for yourself the most rational, acceptable ways of action, to create your «I-concept» and a strategy of professional activity.

References:

1. Leontiev D. A. Individual style and individual styles – a view from 1990. Human style: psychological analysis: monograph /ed. A. V. Libina. M.: Sense, 1998. Pp. 93-108.
2. Mikhailova T. A. Professional training of the future physical education teacher in the process of pedagogical practice: author. diss. ... cand. ped. sciences: 13.00.08. Chelyabinsk, 2004. P. 12.
3. Alexeev A. A., Gromova L. A. Understand me correctly or a book on how to find your style of thinking, use intellectual resources effectively and gain mutual understanding with people. St. Petersburg: Econom. sch., 1993. 352 p.

1.3. Informational and innovational technologies of media literacy (the experience of training applied linguists)

One eye-witness is of more weight than ten hearsays.
Plautus Titus Maccius

What is done wisely is done well.
Shelley P. B.

Today teaching media literacy is one of the top priority tasks for Ukraine which is caused, primarily, by the dramatism of the informational war which the state has been opposing from 2014, though it is not only Ukraine but the whole global space is suffering from media impacts on the conscience of media customers. But Ukraine has turned out to be transformed into a peculiar proving and training ground for experimenting with various communicative technologies and manipulative strategies. The urgent necessity of improving the methods of forming the competences of media literacy of professional linguists results from the stable strengthening of their role in forming social ideas and continuous modifying of media technology influence varieties. Linguists are the most competitive professionals in the spheres of copy- and speech-writing, communicative policy of state governing, advertising, public relations, and these are the spheres in which pathogenic influential mechanisms are being tested. Besides, all-devouring expansion of media products into various spheres of human activity, educational sphere including, makes it necessary to teach school children and train specialists simultaneously forming their media literacy.

The goal of the article is to exemplify the experience compiled at Admiral Makarov National University of Shipbuilding (Ukraine) in training applied linguists who study language potentialities for efficient speech activities: Communicative Linguistics, Psycholinguistics, Language and Cultural Studies, Cognitive Linguistics, Semiotics, Sociolinguistics, Artificial Intellect etc. The corresponding knowledge bases, on the one side, make them linguistically knowledgeable, and, on the other side, enable to form the well-known 4C (critical thinking, creativity, collaboration, communication) thus enabling the new professional generation to become more competitive on the world and Ukrainian markets.

The ideas of media literacy are not new. It was in the 20es of the 20th century when there started the processes of urbanization, migration, desactualization of cultural traditions which caused the transfer from interpersonal contacts to nonpersonal mass media (press, radio, TV³⁴). One of the responses to new challenges was the introduction of elements of media education to school curricula in France, Finland, Canada, and Australia in the 70es-90es. Then they were integrated into the higher school education. The expediency of this approach has been proved in the majority of researches (H. McCluen, Yu. Kazakov, N. Ryzhykh, V. Smorchkova and many others), in dissertations on medialiteracy formation in the mediaeducation processes for future translators (O. Yanishin), journalists (O. Shergova), social educators (M. Matviychuk), natural sciences teachers (V. Osadchiy, D. Zalagayev), philologists (N. Chicherina). However, the complex practical recommendations and comprehensive syllabuses for forming media literacy of future linguists have not been formulated.

Media literacy is defined in different ways but the critical survey of the definitions testifies to the fact that they are, to some extent, synonymic and complementary.

For example, it is defined as “the skill of analysing, assessing, interpreting and creating media texts of various forms” (Yu. Kazakov); “an aggregation of knowledge kinds obtained in the process

³⁴ Bondarets B. B.: Evolutional development of advertising: social and historical aspect, p. 58.

of teaching which enables customers to critically analyse media messages to detect propaganda, censorship, one-sidedness in news and social interest programs, to comprehend and interpret the information consciously and critically, to separate reality from its virtual simulation, to give a meaning to power relationships, myths and types of control which they create, and to understand the structural elements which impact the information: the media owner, the model of financing, political likes or dislikes etc” (V. Litostan’sky, V. Ivanova, T. Ivanova). We support the second definition because it is more explicit and because it regards media literacy as the media environment, the process of mass communication consumption and the person’s ability to responsibly comprehend, access, and use mass communication in personal and professional lives.

It is also worth adding that the vectors of forming media literacy require to develop and to test the relevant methodological approaches which are many and varied but, obligatorily, must be built into a complex flexible educational system of training both applied linguists and other students at our University. Therefore we offer the following methodological recommendations:

1. Developing the optional courses “Media literacy basics”, “Language as the weapon in information and propaganda war” for students of the specialties “Applied Linguistics”, “Psychology”, “Management”, “Project Management”, “Law”.

2. Developing additional modules for the disciplines: Communicative Linguistics, Psycholinguistics, Semiotics, Cognitive Linguistics, Sociolinguistics, Sociology, Psychology, Pedagogy, Political Studies.

3. Introducing the modules “Infor media literacy: theory and practice”, “Informational war and media literacy” to the disciplines “Political Studies”, “Sociology” and the module “Neurolinguistics programming and media literacy” to the discipline “Psychology”.

4. Conducting “blended lessons” (“Psycholinguistics”, “Text Linguistics”).

5. Introducing new topics for discussion into traditional lectures, e.g. “Media ecology” (“Psycholinguistics”) or “Mass Media language” (“Text linguistics”).

6. Developing the system of study projects within a variety of disciplines (e.g. “English language: speaking and writing” – the game “Manipulator”).

7. Publishing the results of the researches done.

8. Involving participants to the discussion of the problems in the special interest group at the traditional all-Ukrainian conference “Applied Linguistics: Problems and Solutions”.

9. Conducting seminars and even a particular conference on media literacy.

10. Arranging seminars lectures, trainings with leading media literacy Ukrainian scientists.

11. Organizing master classes with the leading local media professionals.

12. Involving schoolchildren and students to projects during students’ pedagogical practices (specialties “Applied Linguistics” and “Psychology”).

13. Involving students to research activities (essays, term papers, diploma papers).

14. Collaborating with local mass media as the practice bases (e.g. “Computer linguistic practice”).

15. Working out the system of social projects together with students’ self-government bodies.

16. Activities of the students’ interest group “Youth in politics”.

17. Introducing a new trend in the activities of the University psychological service.

18. Compiling Ukrainian – Russian – English electronic dictionary on media literacy.

19. Collaboration with secondary schools for the formation of media literacy and fact monitoring (out-of-class or optional activities).

20. Building a social website.

21. Involving media resources for the regular information distribution.

22. Organizing the Summer School “Journalists’ School: the basics of media literacy”.

We'd like to stress that the above initiatives are being tested at Admiral Makarov National University of Shipbuilding but we should also stress that some of them appeared to be really efficient.

Example 1. "Psycholinguistics" is the discipline that is taught for Bachelors, the key topics for discussion being "Psycholinguistic experiments", "Perception and comprehension". Psycholinguistics is considered the interdisciplinary science which studies "the development and application of speech capability as psychic phenomenon, its realization in the mechanisms of speech generation and perception related to the psychic activity of a human person in his/her social and cultural interaction with the language speech code"³⁵. Thus, due to the application of the associative experiment there have been proved the influence means of designing an advertising image (A. Yampol'ska), the communicative markers (I. Mouroug, D. Dobrovol'ska, N. Kutuza), the associative potential of the succession of advertising words (O. Denisevich, T. Kovalevs'ka) and concepts (V. Buryakovs'ka). There have also been published the dictionaries: "The associative dictionary of Ukrainian advertising lexicon" (2001) by T. Kovalevs'ka, T. Sologub, O. Stavchenko and "The concise associative dictionary of advertising slogans" (2011) by N. Kutuza, T. Kovalevs'ka.

Thus, it is really important to highlight the role of associations expressed by key words in perception and comprehension, and "Psycholinguistics lecturer tried to demonstrate and explain the mechanisms of brain's perceiving and processing the information obtained and illustrated them with actual media texts. The experiment consists of some stages: 1) students read 25 TV advertising texts (or more); 2) using the criteria of semantic ambiguity, frequency, language originality etc., they should identify key words in them; 3) they should determine their ability/disability to generate neurolinguistics programming processes (T. Kovalevska's conception). Thus, for instance, the frequent key words in Ukrainian TV ads are as follows: "*life*" ("*We appreciate real life*" – "Opillya" beer); "*motherland / country*" ("*The general post of the country*" – UkrPoshta); "*will / freedom*" ("*Breathe free*" – Akvaspray: medicine); "*happiness*" ("*A particle of happiness*" – "Prostor" shop). It is quite evident that they direct the vector of perception and consequent comprehension to the so-called "suggestive exploitation" of emotional motives and intentions of customers because of "the value content is shifted ... to the zone of hedonist evaluation and conventional emotion"³⁶ in spite of their comprehension of individual values³⁷: trope texts appear to become the most important in the primary processing the information. The above key words play the role of positive emotional "donors"³⁸; the most influential potential is born by the word "*happiness*", which belongs to NLP verbalisers and which "triggers vector variety of perception" and further can cause the conflict among communicators.

Example 2. "Communicative linguistics". It is universally acknowledged that communicative linguistics concerns the laws of human verbal communication in the whole scope of its complexity: the organization of language code means and a variety of semiotic systems in the processes of communicative interaction; the influence of psychic, social, cognitive, cultural and other components on the selection of language means depending on the illocution goal of communicators (e.g. threatening or complimenting); the analysis of the reasons of conflicts and deviations in human communication; communicative competence as the integrated set of various skills³⁹. Its terminological system contains the following basic terms: communication, speech act, communicants (addressor-addressee), discourse, speech act pragmatics (two-way communication process, feedback, pragmatic influence), Grice's principles of relevant verbal communication, presupposition, implicitly etc., all of them nominating the basic conceptions of the role the media

³⁵ Selivanova O. O.: The contemporary linguistics: trends and problems, p. 188.

³⁶ Petkau A. Yu.: The concept HEALTH: modification of cognitive signs, p. 27.

³⁷ Gulak T. V.: The value structures of the contemporary advertising discourse, p. 56.

³⁸ Olenyuk O. V.: Cognitive and discourse characteristics of influence of the addressee, p. 97.

³⁹ Batsevich F. S.: Basics of communicative linguistics.

discourse is executing in the contemporary informational global space. It is the role of the instrument and the mediator and between state power and society by distributing particular ideologies via communicative impact on the cognitive sphere of the target audience by means of manipulative strategies which are realized by the definite language means reflecting the definite conceptual picture of the world. The typology of language mechanisms which impact the consciousness includes phonetic, grammatical, lexical, syntactical, text language means, but speech influence is also connected with cognitive procedures of processing and transforming knowledge which, in its turn, is transformed into the addressee's model of the world (often by metaphorization).⁴⁰⁴¹⁴²⁴³ Compare the two messages: "*The Crimea was occupied*" and "*The Crimea was lost...*" – the distortion of the content element is based on the stress: in the first message it is declared that it is the act of brutal, treachery aggression; the second message concentrates on the state helplessness and political disability.

Therefore it is expedient to introduce a separate module "Language as the weapon in informational war" to the discipline. The pilot project envisages the following theoretical themes:

1. The theory of influence. Variable interpretation of actuality.
2. The typology of language mechanisms of influence on consciousness.
3. The methods of executing language influence: content analysis, cognitive mapping, NLP.
4. Metaphor as the mechanism of variable interpretation of reality.

The theory is supported with the practical analysis of media texts, self-study activities including round-table talks, panel discussions, mini conferences or research projects which involve the whole group.

The self-study pilot topics are as follows:

1. "The Image of Ukraine": the analysis of Ukrainian language media-space from the point of using fake information or mems.
2. "The Image of Ukraine": the analysis of Russian language media space about Ukraine from the point of using fake information or mems.
3. "The Image of Ukraine": the analysis of English language media space about Ukraine.
4. Conceptual and metaphoric analysis of media space concerning Ukrainian political events.
5. Manipulative strategies: the historic survey of their usage in rhetoric's starting from antiquity.

Project work is also considered to be extremely expedient: 1. Building the students' website for highlighting and monitoring current events. 2. Compiling Ukrainian – Russian – English electronic dictionary on media literacy to support students' self-study activities.

Example 3. The formation of media literacy for applied linguistic students can be vividly illustrated by a number of out-of-class initiatives and projects.

Nowadays it is vitally important for educators to adapt to the times and incorporate media literacy principles and skills into the educational standards through a variety of extracurricular activities.

No matter how media literacy is introduced in a curriculum, it is important that educators should maintain cognitive, emotional, aesthetic, and moral awareness of their students as they interact with media: to evaluate the validity of words, produce original accurate content and use their voice to improve the media landscape. It is known that a number of definite skills are to be developed in order to be media literate: a) understanding the power of mass communication messages and its dominant role in our lives through mass communication: entertaining, informing,

⁴⁰ Holubovska I. O., Levko O. V., Polishchuk A. S.: Institutional manipulative discourse: modernity vs antiquity.

⁴¹ Khudoliy A. O.: Metaphor in the language of American media texts.

⁴² Lakoff Y.: Metaphors we Live by.

⁴³ Saytarly I. A.: Culture of interpersonal relationships.

representing, reflecting, creating, affecting our behaviours, attitudes, values, and habits in direct and indirect ways; b) content understanding by paying attention and filtering out noise communication, noise being a part of our consumption behaviours; c) emotional versus logical understanding which is considered as reactions to mass communication content intended to affect people at an emotional level; d) critical thinking ability.

Skills development and knowledge implementation can also be realized via using blended learning which incorporates development of different language, cognitive and emotional awareness, communication and interaction skills, motivated reasoning and applies part of digital information in the world. Blended learning course can be based on open online platforms or developed by university departments: ed-era.com, prometeis.com, udemy.com, courser.com, classcentral.com propose a variety of media literacy courses developed by educational institutions and educational companies facing various target audience requirements. They are also aimed to teach a range of analytical approaches that can be used to understand and interpret media, explore the relationships between media and culture, develop critical thinking and research skills.

For example, in 2019 as part of “The Learn to Discern” project, the U.S. Embassy in Ukraine, in partnership with IREX and EdEra, developed two courses on media and information literacy: one-day training course on fact-checking and a new interactive online MOOC on media literacy. The Department of Applied Linguistics joined the projects and implemented the courses: 1) one day training course “Ne vir – perevir” (“Do not trust – Verify it”) during which students identified their media habits and types of information engaged, learned to differentiate facts from opinions and recognize manipulative content; 2) a new interactive online MOOC course on media and information literacy.

The second initiative is the English language-based course designed to improve English language skills while teaching practical skills on detecting disinformation and propaganda, avoiding emotional manipulation, understanding the complexity of today’s information ecosystem and the role individual users play.

The aim of the course is to teach how to resist disinformation and make media literacy an integral part of people’s lifestyle. It consists of 5 modules:

1. Media Landscape.
2. Traditional Media.
3. Social Media.
4. Misinformation and Manipulation.
5. Wrapping Up.

The course is based on the latest trends in online learning; i.e. mobile-learning, micro-learning and blended learning. It covers the problems of editorial policy and editorial firewall, algorithms of social media work, teaches how to recognize different types of manipulation in traditional and social media (fakes, disinformation, bots, trolls) and recommends how to be protected from manipulation traps.

To sum up, the urgent necessity of the media literacy via innovation educational technologies is caused by the necessity of objective evaluation of perceiving and comprehending media information obtained. It is the top-priority importance to combine informational and innovation teaching potentialities to emphasize the urgency of the problems discussed in the world where the famous ideas expressed in the epigraphs “*Seeing is believing*” and “*One eye-witness is of more weight than ten hearsays*” are converted into “*Believing is seeing*” and “*One hearsay is of more weight than ten eye-witnesses*”.

References:

1. Batsevich F. S. Basics of communicative linguistics. Kyiv: "Academia", 2004. 343 p.
2. Bondarets B. B. Evolutional development of advertising: social and historical aspect // Transactions of the Black Sea State University named after Petro Mohyla. Sociology series, 2014. Vol. 234. Issue 222. P. 55-59.
3. Gulak T. V. The value structures of the contemporary advertising discourse (based on Russian commercial and political advertising). Diss.... Cand. Of Scs (Phil): 10.02.02. Kharkiv, 2004. 178 p.
4. Holubovska I. O., Levko O. V., Polishchuk A. S., Institutional manipulative discourse: modernity vs antiquity // *Movoznavstvo*, N 1. 2019. P. 9-30.
5. Kazakov Yu. M. Pedagogical conditions of using mediaeducation in the process of professional training of future teachers: The author's abstract of diss... Cand. Scs (Pedagogics): 10.02.01. Odessa, 2011. 22 p.
6. Khudoliy A. O. Metaphor in the language of American mediatexts. Ostrog: NUOA, 2005, 128 p.
7. Lakoff Y. *Metaphors we Live by*. Chicago-London. The Univ. of Chicago Press, 1980, 242 p.
8. Medialiteracy in questions and answers for researchers, teachers and students of higher schools and also for those who aspire to attain mutual understanding with the media / Litostansky V. V., Ivanov V. F., Ivanova T. V., Voloshenyuk O. V., Danilenko V. I., Melezhyk V. P. Available online: <http://aup.com.ua/uploads/prall.pdf>.
9. Olenyuk O. V. Cognitive and discourse characteristics of influence of the addressee (based on English magazine advertisements): Diss. ... Cand. Scs (Phil): 10.02.04. L'viv, 2016. 262 p.
10. Petkau A. Yu. The concept HEALTH: modification of cognitive signs (based on newspapers and advertising in the Soviet and Post-Soviet periods): The author's abstract of diss. ... Cand. Scs (Phil): 10.02.01. Ekaterinburg, 2015. 27 p.
11. Saytarlyl. A. Culture of interpersonal relationships. Kyiv: "Academia", 2007. 240 p.
12. Selivanova O. O. The contemporary linguistics: trends and problems. Poltava: Dovkillya. 2008. 712 p.
13. Stankevich Yu. V. Language suggestogenes in political advertising texts. Diss. ... Cand. Scs (Phil): 10.02.01. Odesa, 2011. 22 p.

1.4. Specific features of deformation of moral and ethical consciousness in the structure of deviant behavior of juvenile offenders

1.4. Особливості деформації морально-етичної самосвідомості в структурі девіантної поведінки неповнолітніх правопорушників

Вступ. Специфіка української ментальності складається в цементуючій ролі історичності і була завжди притаманна українському суспільству. Захист духовних морально-етичних засад була і є основою розвитку суспільства. Однак цінності базової культури, на основі якої особистість формувалася і відповідно до якої вона тривалий час функціонувала в суспільстві, зазнали значних змін. Склалася така ситуація в українському суспільстві, і особливо в сфері освіти, коли колишні цінності і ідеали вичерпали себе, а нові ще не утвердились.

У зв'язку з цим загострюються проблеми входження в суспільство, прийняття його основних цінностей, засвоєння норм, традицій і звичаїв. Результати багатьох теоретичних і емпіричних досліджень вітчизняних учених гуманітарного профілю свідчать про зростання чисельності людей маргінальної орієнтації, чий уявлення, погляди і цінності не співвіднесені, а, скоріше, протиставлені загальноприйнятим і соціально схвалюваним нормам. Культурні, соціально-політичні та економічні перетворення в більшій мірі, ніж на інших категоріях населення, відображаються на підлітках.

Методологія. Розвиток особистості підлітка, формування якісно нового рівня його самосвідомості опосередковується тією ситуацією, яка характеризується як криза духовності і моральності. Одні автори відзначають «суперечливість моральної свідомості особистості» (Л. Н. Антілогова), інші – «болісне розмежування самосвідомості на реально і ідеально моральне» (Г. Кіреєв), треті дослідники дотримуються позиції, що нові цінності все ж виникають в «розбівтаній, розладнаній, але живій і чинній нормативно-ціннісній системі» (Н. І. Лапін, Л. А. Беляєва). Вчені побоюються, що під напором потужного зростання особистісної самосвідомості загальні моральні установки можуть втратити авторитет абсолюту і разом з цим відбудеться стрімке руйнування традиційних суспільних охоронних основ. Часом і дорослим людям важко зорієнтуватися у власних моральних позиціях в умовах, що змінюються під впливом соціальної дійсності: зберегти «старі цінності» і «повернутися назад» або виробити «нові», що відповідають сучасним вимогам розвитку суспільства, і на основі їх побудувати лінію просоціальної поведінки. Важливим є те, що від подібного вибору не можна відмахнутися. Відсутність соціальної адаптованості тих категорій населення, які найбільш соціально і економічно не захищені (літні люди і неповнолітні), позбавляє їх свідомість можливості зрозуміти смисли, що відбуваються, і єдиним завданням стає фізичне виживання.

Особлива увага повинна бути звернена на ту частину молодих людей і підлітків, які не мають позитивного досвіду взаємодії з навколишнім світом дорослих і з великою тривогою і побоюваннями дивляться в день завтрашній. Роблячи акцент на профілактиці девіантної поведінки неповнолітніх за допомогою використання різноманітних методів освоєння підлітками просоціальних цінностей і нових технологій в навчально-виховному процесі, з огляду на особливості формування і розвитку ціннісно-нормативної сфери, ми можемо запобігти збитку, що наноситься як окремої особистості підлітка-девіанта, так і суспільству в цілому.

Підлітки так званої «групи ризику» відчужені від суспільства, ображені, не розуміють ні його, ні себе. Вони не хочуть або не можуть самостійно вирішити, чого ж вони хочуть від життя. Їх відрізняє нестійкість життєвих інтересів, відсутність критичного ставлення до себе, розпливчасті плани на майбутнє, недооцінка значущості життя і особистості, відсутність

інтересу до суспільного життя. Таких підлітків називають знедоленими, відщепенцями, дезадаптованими, важкими, з відхиленнями, або з девіантною поведінкою.

На очевидну складність підлітків можна подивитися двояко: по-перше, самому підлітку з деяких причин важко жити серед нас, в відчуженому, як йому здається, світі дорослих; по-друге, він важкий, незручний для дорослих, які не можуть впоратися з його навчанням і вихованням. Основною і, на наш погляд, головною причиною появи труднощів як у самих підлітків, так і у дорослих, які з ними спілкуються, є зміна в моральній свідомості, що виникає як наслідок впливу суспільства, що знаходиться в стані «рухомої нерівноваги», негативного мікросередовища, неправильно обраного батьками стилю сімейного виховання, невідповідності напрямку педагогічного впливу потребам неповнолітнього і ін.

Риси важковиховуваних спочатку проявляються як невіддатливість виховного впливу, емоційна невідноваженість, відсутність витримки, грубість, афективні спалахи невмотивованого гніву, які при подальшому несприятливому моральному формуванні особистості, при відсутності уваги з боку педагогічного колективу, ігнорування підлітка його батьками можуть трансформуватися в правопорушення.⁴⁴

Узагальнені ідеали, стійка самооцінка, моральні переконання починають складатися лише до кінця вікового періоду, підліток ще не може повністю свідомо керувати своєю поведінкою. Але неповнолітній накопичує певний запас знань, понять, що мають моральне забарвлення, поповнюючи свій чуттєвий досвід моральними переживаннями. Морально-етичний розвиток особистості триває протягом усього життя людини, але центральні, «стрижневі» його утворення – переконання, цінності і ціннісні орієнтації – формуються в період підліткового і юнацького віку. Поки рівень розвитку морально-етичної сфери підлітків характеризується нестійкістю переконань, недостатньою сформованістю моральних принципів, суперечливістю почуттів, в наших силах запобігти розвитку особистості по девіантній шляху.

Неуспішність і конфліктність – зовнішні прояви серйозних моральних деформацій, які виражаються в ослабленні пізнавальних інтересів та навчальної мотивації, розвитку лінії, безвідповідальності, прагненні до примітивних форм задоволення, в втраті гідних моральних орієнтирів, зміні оцінного ставлення до себе і т. ін. Зароджуються негативні якості, які дають імпульс негативним тенденціям саморозвитку особистості. В результаті особистісні деформації, що виникли, відтворюються і навіть посилюються.

Саме ціннісно-нормативна сфера визнається багатьма психологами і кримінологами як один з головних чинників, що визначає відміну делінквентної поведінки від нормативної. Так, на «викривлено реалізований етичний комплекс» вказує В. П. Ефроїмсон; морально-психологічну специфіку у правопорушників зазначає Ю. М. Антонян; змінену систему ціннісних орієнтацій, поглядів і соціальних установок у злочинців виділяє Ю. В. Чуфаровський; деформації ціннісних орієнтацій, моральних і правових уявлень і установок відзначають Н. П. Дубінін, І. І. Карпець, В. Н. Кудрявцев; зміни в моральній свідомості правопорушників виявив А. А. Хвостов, в моральній самосвідомості – В. С. Мухіна; Л. П. Конишева, аналізуючи структуру і зміст діяльності злочинців в кримінальній ситуації, виділяє деформації ціннісного ядра; психологічною основою розвитку, що відхиляється, згідно Д. А. Леонтьєву, є порушення смислової сфери, несформованість ціннісної регуляції; А. Г. Белобородов зазначає роздвоєність смислової сфери злочинців.

Мета. Робота присвячена дослідженню особливостей деформації морально-етичної сфери самосвідомості підлітків з девіантною поведінкою.

Об'єкт: особистість неповнолітнього з девіантною поведінкою.

⁴⁴ Віденєєв І. О. Актуальні проблеми соціальної, психологічної та виховної роботи в ОВС України. 2008. С. 36-37.

Предметом дослідження є індивідуально-психологічні особливості самосвідомості підлітків.

Завдання – проведення дослідження ролі морально-етичної самосвідомості у формуванні та розвитку девіантних форм поведінки серед неповнолітніх, обґрунтування необхідності створення постпенітенціарної системи для надання підтримки підліткам-правопорушникам, розробка програми попередження рецидивної злочинності.

Результати дослідження. Нами було проведено дослідження особливостей морально-етичної сфери особистості підлітка-правопорушника. Для розуміння морально-етичної самосвідомості підлітків ми аналізували вчинки, так як у вчинку найбільш яскраво проявляється моральна позиція людини. У вихідному тлумаченні поняття вчинку ми спираємося на опис А. Н. Леонтьєва: «Особистість людини породжується в його діяльності, яка здійснює його зв'язок зі світом. Перші активні і свідомі вчинки - ось початок особистості»⁴⁵. У психології вчинок розглядається як свідоме дія, що оцінюється як акт морального самовизначення людини, в якому вона стверджує себе як особистість у своєму ставленні до іншої людини, до самої себе, групі або суспільству, до природи в цілому. Вчинок завжди є виразом людини як цілого. Вчинок є першим і головним проявом особистості. Недарма Гегель стверджував: «... людина є не що інше, як ряд її вчинків».

У дослідженні брали участь три групи підлітків: перша – учні загальноосвітньої школи (49 осіб – 23 дівчини і 26 юнаків); друга – підлітки з центру соціально-психологічної реабілітації (50 осіб – 16 дівчат і 34 юнака); третя – учні спеціальної школи закритого типу (35 осіб – 10 дівчат і 25 юнаків). 14-16-річні підлітки описували значущі для них вчинки, відзначаючи своє ставлення до них.

Зібрані дані оброблялися за допомогою контент-аналізу, де вчинки розподілялися за категоріями, підраховувалася їх частота. Були проведені розрахунки міжгрупових відмінностей в межах виділених категорій за частотою згадування того чи іншого вчинку (критерій Фішера), визначалася значущість відмінностей.

Проведене дослідження показало, що морально-етична самосвідомість підлітків, що навчаються в загальноосвітній масовій школі, не просто розвивається швидше, ніж у їх однолітків з центру соціально-психологічної реабілітації та школи закритого типу, а спрямовується іншим шляхом розвитку, який якісно відмінний від асоціального.

Поведінка учнів загальноосвітньої школи (перша група), опосередкована прийнятими в суспільстві моральними цінностями і описана ними у вчинках, повністю відповідає наявним в психологічній літературі даними про особливості взаємин з оточуючими і з самим собою в підлітковому віці. Вчинки і їх оцінки відповідали нормам поведінки неповнолітніх як типові підліткові особистісні реакції (емансипації, опозиції, групування і імітації), що свідчить про цілком гармонійний розвиток особистості.

Результати дослідження підлітків реабілітаційного центру (другої групи) відрізняються від результатів дослідження підлітків першої групи як в виділених нами категоріях, підкатегоріях, так і в кількісному відношенні. Учні класів компенсуючого навчання виявляють опозицію дорослим не стільки за допомогою «лайки», «сварок» і «обзивання», скільки за допомогою вживання нецензурних виразів по відношенню до вчителів, «деяким дорослим» і «людям взагалі», «сперечання з вчителями» і інш. «Брехня» і «обман» служать відповідним способом для звільнення від безпосереднього контролю, що більш характерно для підлітків, які безпосередньо проживають з батьками і рідними, ніж для неповнолітніх, які навчаються в закритій школі ($p < 0,01$).

У підлітків центру соціально-психологічної реабілітації виявлена недостатня зрілість когнітивної і афективної складових морально-етичної самосвідомості, що виявляється у

⁴⁵ Леонтьев А. Н. Избранные психологические произведения. 1983. – Т. 1. с. 322.

віднесенні до вчинків таких особистісних якостей, як «грубий», «запальний», «нестриманий» та інш., позитивне ставлення до власних проступків, жорстоких з точки зору загальноприйнятих моральних цінностей. Позитивне ставлення до власного проступку, відсутність усвідомлення порушення норми і співвіднесення вчинку з власним «Я» свідчить про моральний недорозвиток, незрілість самосвідомості підлітка, який знаходиться у центрі соціально-педагогічної реабілітації. Ці підлітки оцінюють свої діяння як позитивні, оскільки спираються на систему контрнормативних цінностей, що узгоджується з його групою неформального спілкування. Спотворене уявлення про поняття, що представляють морально-етичну сферу особистості, проявилось у підлітків реабілітаційного центру, ймовірно, як наслідок сімейної та соціальної занедбаності.

Особливо «турботливі» відносини відзначаються в колі потенційних правопорушників: «друг дав мені покурити спайс», «друзі покатали на викраденій машині», «друг дав грошей на пиво» і т. інш. Дивно, що подібні відносини хлопці вважають проявом дружби, турботи і визнання цінності власного існування в групі. Їм більше нікуди йти, ніде реалізовувати свої таланти, окрім як в суспільстві собі подібних, знедолених сім'єю і навчальним колективом. Проте таке спілкування призводить до переживання підлітком не тільки почуття автономії від дорослих, а й почуттів стійкості і емоційного комфорту, яке їм необхідно.

Підлітки реабілітаційного центру з великим задоволенням описують свої проступки, починаючи з дитячих пустощів і закінчуючи протиправними діями: «розбив скло», «ламав дитячу гойдалку», «обкидали камінням бомжів», «крав», «вимагав», «різав телефонний кабель на метал», «згвалтував», в двох випадках згадується «вбивство». Цілковито можливо, що хлопці центру педагогічної реабілітації хотіли представити себе (як їм здається) з «найкращої» боку, слідуючи своїй буйній фантазії, хоча за інструкцією вони повинні були описувати реальні вчинки.

Варто відзначити, що хлопці центру реабілітації, вже навчені гірким досвідом відчуження батьками, однолітками, суспільством, що відступили від норм закону, більш реально дивляться на життя, виходячи зі свого досвіду представляють наслідки вчинків («поцупив – сів у в'язницю», «заліз в квартиру – суд» і т. інш.), ніж підлітки масової школи. Останні взагалі до вчинків відносять такі різноманітні «події», як «я народився», «у великій компанії я соромлюся», «доводиться робити справи без бажання», «доглядаю за собакою» та ін. Варто особливо зупинитися на ставленні підлітків реабілітаційного центру до власних вчинків асоціальної спрямованості. Протиправні вчинки, скоєні підлітками реабілітаційного центру, оцінювалися ними виходячи з успішною, на їх погляд діяльністю, що сприяє отриманню вигоди. Їх оцінки близькі до моральних установок закоренілих злочинців – «моральна поведінка небагато чого варта, оскільки правий той, хто домагається успіху»⁴⁶.

Хлопці, які навчаються в закритій школі (третя група), цілком адекватно оцінюють власні проступки, вже чітко уявляючи систему покарання за вчинене правопорушення. Характерним для них є опис вчинків від першої особи, хоча самі вчинки не надто відрізняються від тих, що здійснювали однолітки з реабілітаційного центру: «курили траву», «грабував ларьки», «викрали машину», «зайшли в квартиру до незнайомих людей, побили і забрали гроші», «забивали до смерті людей», і т. інш. Дуже цікавий той факт, що лише в цій групі з'явилися «свідомі герої», які написали своє прізвище в анонімному дослідженні. Жахає, що їм не соромно публічно зізнатися в своїх жорстоких діяннях, мабуть, вони сприймають себе такими, якими вони є, з уже осмисленим минулим і сьогоденням.

Здатність до каяття розглядається вченими як одна з характеристик морально-етичної самосвідомості. В описаних вчинках деяких підлітків із закритої школи містилося жаль про скоєне, каяття. Тоді як в опису підлітків з реабілітаційного центру не було і натяку про яке-

⁴⁶ Мухіна В. С., Хвостов А. А. Розвиток особистості. – 2002. – № 3. – С. 51-61.

небудь каяття. Умови ізоляції, допомога співробітників школи, цілком ймовірно, сприяють розвитку моральної самосвідомості підлітків. Хлопці починають писати про такі воістину героїчні вчинки, як «починаю виправлятися», «навчився працювати (читати, працювати)», «змусили вчитися, і я став добре вчитися», «намагаюся встати на правильний шлях, виправитися» і т. інш.

Такі характеристики, згадані в якості вчинків підлітками закритої школи, як «слабохарактерний», «люблю самотність», «ненавиджу майже всіх людей», «хочу жити один серед лісів», «хотів би більше красти» і т. інш., говорять не тільки про незрілість розуміння сутності вчинку (як у випадку опису якостей підлітками реабілітаційного центру), але і про особливості внутрішнього світу підлітка, який опинився в силу обставин в закритому закладі. Незадоволеність змістом спілкування – відсутність або недостатня кількість позитивних емоційних контактів з однолітками і дорослими – стає причиною формування цілого ряду негативних тенденцій в поведінці підлітків як реабілітаційного центру, так і закритої спеціальної установи, що призводить до розвитку делінквентної поведінки. Бідність внутрішнього світу і вузькість кругозору породжують відчуття внутрішньої «порожнечі», орієнтацію на зовнішні критерії оцінки, на некритичне прийняття групових норм поведінки.

Полегшити ситуацію, пов'язану з боротьбою підлітка за свою самостійність, незалежність і самоствердження, можливо за рахунок зміни стилю взаємин з неповнолітнім, запропонувавши йому позицію «на рівних», використовуючи такі способи впливу, як особистий приклад, переконання, пояснення, залучення в цікаву спільну діяльність. У спеціальній атмосфері створюються умови для безумовно важкої, але цікавої роботи з самим собою, де полегшується байдужість, що роками накопичувалась в різних сферах міжособистісних відносин (сім'ї, колективі, середовищі неформального спілкування).

Ідея розвитку морально-етичної самосвідомості неповнолітніх як засобу попередження і корекції девіантної поведінки реалізується в розробленій нами програмі. Метою даної програми є попередження рецидивної злочинності серед підлітків, профілактика і корекція соціальної дезадаптації підлітків. У програмі задіяні як умовно засуджені неповнолітні з центрів реабілітації, так і підлітки, що перебувають в місцях позбавлення волі, що готуються до звільнення.

У реалізації програми можна виділити три ключові етапи. На підготовчому етапі здійснюється знайомство учасників з програмою, її цілями і завданнями. Знайомство відбувається в формі класних годин для підлітків і батьків, зборів для фахівців, задіяних в реалізації програми. Зміни на рівні окремої особистості, на нашу думку, повинні супроводжуватися зміною середовища. Розроблені методичні рекомендації з оволодіння прийомами конструктивного спілкування з підлітками доводяться до відома педагогів і обслуговуючого персоналу установи. На підготовчому етапі здійснюється підготовка волонтерів-студентів із запрошенням різних фахівців, психологів.

В ході основного етапу реалізації програми здійснюється знайомство волонтера з підлітком, встановлення довірчих відносин, отримання згоди у підлітка і його батьків на участь в програмі. У процесі супроводу волонтером свого підопічного в міру необхідності планується вихід в сім'ю спільно з соціальним працівником центру, взаємодія з фахівцями суміжних установ і організацій. Один раз в тиждень на зборах волонтерів заслуховується звіт про хід роботи з підлітком. В ході своєї діяльності волонтер заповнює робочі матеріали, фіксує результати первинної та подальшої психолого-педагогічної діагностики, Рекомендації по психолого-педагогічній реабілітації та напрямки діяльності по їх здійсненню заносяться в карту спостереження підлітка. Фахівцями центру реабілітації організовується супервізорська робота для волонтерів, де останні можуть винести на обговорення особливо важкі питання і отримати необхідну підтримку фахівців.

Через 3-4 місяці після початку індивідуальної роботи волонтера з підопічним, підлітки втягуються в групові заняття (тренінги, ділові ігри, свята і т. інш.).

Спираючись на практичний досвід роботи з підлітками, схильними до девіантної поведінки, і аналізуючи характерологічні особливості цих неповнолітніх, а також їх сімей, нами було виділено кілька ключових блоків-напрямів, в рамках яких необхідно будувати корекційно-розвиваючу роботу.

Застосування аксіологічної корекції, створення умов для гармонізації інтелектуальної діяльності та емоційної сфери, мобілізація можливостей особистісного зростання, руйнування бар'єрів, що виникають на шляху особистісного вдосконалення, дозволять змінити становище на краще. Такі орієнтації в психокорекційній діяльності підказують і набір методів, найбільше адекватних в цих випадках. Це арттерапія, ігротерапія, казкотерапія, аутогенне тренування (індивідуальне і групове), формуючі тренінги.

У процесі роботи з підлітком йде формування моральних норм і принципів, фундаментальних людських якостей, критеріїв для моральної оцінки своєї поведінки та поведінки оточуючих людей, уявлень про такі ціннісні поняття, як добро і зло, обов'язок і відповідальність, честь і гідність. Робота здійснюється як в індивідуальній формі, так і у формі тренінгу, де хлопці, звертаючись до іншої людини, свого однолітка, усвідомлюють і оцінюють себе в порівнянні з ним. Підліток опановує самокритику, він вчиться аналізувати власні досягнення і невдачі, вчинки і дії, раціонально використовувати індивідуальні можливості. Все це служить основою для саморегуляції.

За допомогою активного включення підлітка в процес взаємодії з оточуючими і з самим собою відбувається перетворення моральних вимог в особистісні смисли життєдіяльності. Розвиток культури етичного мислення, здатності морального судження й оцінки, вміння самостійно приймати рішення в ситуаціях морального вибору підтримують сприятливому розвитку особистості. Створення ситуацій морального вибору, обговорення вчинків, що навмисно несуть в собі моральні дилеми, задіяння підлітків в їх вирішенні сприяють розвитку їх морально-етичної самосвідомості, на основі якої змінюється поведінка в бік нормативної.

На заключному етапі волонтери та співробітники центру ресоціалізації узагальнюють і аналізують отримані в ході реалізації програми матеріали, оцінюють затребуваність програми, вносять пропозиції та зауваження щодо її розвитку. Після закінчення програми, в кінці навчального року, організовуються «круглі столи» за участю представників центрів соціально-психологічної допомоги, центрів педагогічної реабілітації, пенітенціарних закладів, волонтерів та представників інших зацікавлених відомств. На підведенні підсумків проводяться зустрічі підлітків, а волонтери спільно з співробітниками центру соціально-психологічної реабілітації планують подальшу роботу на наступний рік.

Висновки. Результати наведеного дослідження і розроблена програма служать лише початком глибокого вивчення психологічних механізмів девіантного розвитку особистості, та визначення ролі морально-етичної самосвідомості в регуляції поведінки підлітка.

Література:

1. Віденєєв І. О. Особливості особистості підлітків з різними формами та ступенем виразності девіантної поведінки / І. О. Віденєєв // Актуальні проблеми соціальної, психологічної та виховної роботи в ОВС України: матеріали науково-практичної конференції – Харків. ХНУВС, 2008. С. 36-37.
2. Леонтьев А. Н. Избранные психологические произведения: В 2 т. – М., 1983 – Т. 1. С. 322.
3. Мухіна В. С., Хвостов А. А. Довічно ув'язнені: мотивація до життя // Розвиток особистості. – 2002. – № 3. – С. 51-61.

1.5. Theoretical approaches to studying personal's emotional intelligence

1.5. Теоретичні підходи до вивчення емоційного інтелекту особистості

Проблема емоційної культури людини залишалася актуальною протягом всієї історії людського суспільства: важливість проблеми розвитку емоційної компетентності – відкритості людини своїм емоційним переживанням, зв'язок її можливості з гармонічною взаємодією серця і розуму, афекту і інтелекту, незмінно відзначалася як мислителями давнини, так і сучасними філософами. У сучасному суспільстві проблема компетентності в розумінні й вираженні емоцій стоїть досить гостро: штучно виплеканий в останні десятиліття культ раціонального підходу до життя автоматично привів до сприйняття людини як істоти знеособленої, в певній мірі беземоційної, геть позбавленої індивідуальності – такого собі універсального супермена, здатного в лічені хвилини приймати рішення і виконувати команди, не замислюючись про моральний аспект «скоєного».

Однак в контексті сказаного варто згадати вислів видатного педагога Ушинського К. Д., який, підкреслюючи соціальний зміст емоцій, відзначав, що «суспільство, що піклується про освіту розуму, робить великий промах, бо людина більше особистість в тому, як вона відчуває, ніж як вона думає».

Широко відомий той факт, що заборона на емоції веде до їх витіснення зі свідомості, а неможливість їх психологічної переробки, в свою чергу, сприяє розростанню емоційного фізіологічного компонента. Вийшовши з-під контролю свідомості, емоції перешкоджають здійсненню намірів, порушують міжособистісні відносини, не дозволяють належним чином виконувати службові та сімейні обов'язки, ускладнюють відпочинок і погіршують стан здоров'я. Так, Л. С. Виготський, говорячи про існування динамічної смислової системи, що представляє собою єдність афективних та інтелектуальних процесів, зазначав таке: «Як відомо, відрив інтелектуального боку нашої свідомості від його афективної, вольової сторони представляє один з основних і корінних пороків всієї традиційної психології. Мислення при цьому неминуче перетворюється в автономне, воно відривається від всієї повноти живого життя». Єдність афекту і інтелекту, на думку класика психології, виявляється, по-перше, у взаємозв'язку і взаємовпливі цих сторін психіки на всіх щаблях розвитку, по-друге, в тому, що цей зв'язок є динамічним, причому будь-якому ступеню в розвитку мислення відповідає свій ступінь в розвитку афекту. С. Л. Рубінштейн, розвиваючи ідеї Л. С. Виготського, відзначав, що мислення вже само по собі є єдністю емоційного та раціонального.

На даний момент люди приділяють увагу своїм емоціям, адже це важлива складова, яка може дати людині можливість успішно пройти період адаптації до умов навколишнього середовища і співвіднести їх з категорією інтелекту. Саме тому емоції та інтелект мають змогу об'єднатися в своєму практичному спрямуванні, таке поєднання необхідне для гармонійного розвитку особистості

Такий феномен, як емоційний інтелект все частіше зустрічається у дослідженнях по всьому світі. Це зумовлене тим, що раніше інтелектуальна сторона життя людини протиставлялася її емоційній складовій, але на сьогодні все змінюється.

Велику увагу такому явищу як емоційний інтелект приділяло багато зарубіжних психологів. Наприклад, американські психологи Дж. Майєр, П. Саловей та Д. Карузо розробили теорію емоційно-інтелектуальних здібностей особистості, Д. Гоулмен представив нам теорію емоційної компетентності, а Р. Бар-Она започаткувала не когнітивну теорію емоційного інтелекту, саме такі цікаві рішення дають змогу вирішувати багато теоретичних та практичних проблем емоційного інтелекту.

У вітчизняній психологічній науці поняття ЕІ вивчали Д. В. Люсін, Е. Л. Носенко, Н. В. Килимига, О. І. Власова, Г. В. Юсупова, М. А. Манойлова, Т. П. Березовська, А. П. Лобанов, А. С. Петровська, І. М. Андреева та ін.

Емоційна сфера представляє ряд почуттів та переживань які проживає людина кожен день та кожен секунду. Вона виконує важливі функції, наприклад, регуляторну, стимулюючу, оціночну. Також важливим для розуміння даного поняття є емоції.

Емоції – це те без чого не може прожити жоден з людей, саме тому необхідно розуміти емоції які відчуваємо ми або інші люди.

Вже багато століть вчені вважають емоції центральною ланкою психіки людини. Платон виділив емоції, як компонент людської душі поряд з розумом та тілесними враженнями. Арістотель розглядав біологічні тенденції в емоційному досвіді, а також намагався зрозуміти різницю між емоціями та уявленнями. Чарльз Дарвін стверджував, що емоції виникли в процесі еволюції, як засіб за допомогою якого живі істоти встановлювали значення тих чи інших умов для задоволення власних потреб.

Емоційний інтелект як предмет соціально-психологічного дослідження є відносно новим, маловивченим феноменом: наразі існують різні підходи до розуміння суті та структури емоційного інтелекту. Вивченням проблеми займалось чимало вчених – так, особливу увагу цієї темі приділяли: М. Зайднер, О. В. Луньова, Д. В. Люсін, Н. В. Коврига, Г. Метьюс, Е. Л. Носенко, А. С. Петровська, Р. Д. Робертс, Е. А. Сергієнко, Д. Р. Карузо, Р. Бар-Он, О. В. Білоконь, І. І. Ветрова, С. П. Дерев'янка, П. Селовей, Дж. Мейер, Д. Гоулман, І. Н. Андреева та ін., – однак єдиної узгодженої теорії не розроблено. Проте, необхідність вивчення емоційного інтелекту диктується запитом практики, що полягають у визначенні факторів, що впливають на ефективність професійної діяльності і соціально-психологічної адаптації особистості – в цьому випадку не можна не погодитися з думкою Д. Гоулмана, який зазначив, що геніальне лідерство зачіпає наші емоції. На сьогодні вже достеменно відомо, що без емоційного інтелекту ефективне лідерство неможливе. Д. Гоулман наводить переконливі дані досліджень Гарвардського університету: успішність будь-якої діяльності лише на 33% визначається технічними навичками, знаннями та інтелектуальними здібностями (тобто IQ людини), а на 67% – емоційною компетентністю (EQ). Причому для керівників ці цифри різняться ще відчутніше: тільки 15% успіху визначається IQ, а 85% – EQ. Автор стверджує, що мікроклімат у колективі на 50-70% залежить від дій однієї людини – лідера. При цьому тільки один окремо взятий організаційний клімат – емоційне ставлення людей до роботи – здатний пояснити 20-30% відмінностей у продуктивності праці робітників. Саме емоційний стан керівника реально впливає на психологічний клімат у колективі, а тому й на ефективність праці співробітників. На даний момент існує багато різних теорій, які розглядають емоції в різних аспектах, наприклад:

- Трьохкомпонентна теорія Вундта, яка стверджує, що є три виміри емоцій – це задоволення – невдоволення, збудження – заспокоєння, напруження – дозвіл;
- Теорія Джемса – Ланге, яка розглядає емоції як зміну тілесного сприйняття;
- Таламічна теорія У. Кеннона та Ф. Барда, автори якої вважають, що центр емоції зосереджений в таламусі;
- Двохфакторна теорія емоцій Е. Шехтеру та Д. Сингера, яка стверджує, що емоційна реакція обумовлена двома факторами – когнітивним та фізіологічним;
- Потребуючо-інформаційна теорія емоцій П. Симонова, яка розглядає емоцію, як певну силу, що керується відповідною програмою дій.

Також емоційну сферу особистості поточнюють такі характеристики, як емоційність, властивості та структура емоційної сфери, саме тому необхідно розглянути їх детальніше.

Емоційність – це поєднання властивостей людини, які характеризують якість та динаміку її емоцій ті відчуттів. Властивості емоційної сфери розподіляють на динамічні та змістовні:

Таблиця. 1. Властивості емоційності

Змістові властивості	Динамічні властивості
Це ситуації, явища та події, які мають особливу значимість для суб'єкта. Вони пов'язані з мотивацією, світоглядом, цінностями та уявленнями.	Це особливості протікання, виникнення і припинення емоційних процесів та їх зовнішнього виявлення. Вони пов'язані з темпераментом особистості.

Окрім властивостей важливо розуміти і структуру емоційної сфери, до неї відносять:

1. *Емоційна збудливість* – емоційне реагування на ті подразники, які являються значущими для людини;
2. *Емоційна стійкість* – вміння протистояти емоційно важливим факторам, контроль імпульсів та терплячість, які ведуть до стабільного стану особистості;
3. *Сила емоцій* – енергія, яка виділяється під час конкретної діяльності особистості, в залежності від задоволення або незадоволення її мотивів;
4. *Емоційна лабільність* – рухливість емоцій, яка впливає на швидкість реакцій в певній ситуації, а також вміння вільно змінювати емоційні стани;
5. *Загальна емоційна спрямованість особистості* – бажані та стійкі емоції особистості, які обумовлені її ставленням до природи, мистецтва, життєвих ситуацій.

Взагалі емоції – це психічні процеси, які проявляються в певній ситуації, в якій перебуває людина. Загалом емоції головні регулятори психічного життя людини адже вони виникають в процесі активності людини. Виділяють декілька функцій емоцій:

1. *Відбивно-оцінна функція* полягає у значенні ситуацій та предметів для досягнення цілей людини;
2. *Спонукальна функція* – пробуджує людину до дій;
3. *Активуюча функція* (пов'язана з спонукальною). Її сенс в тому, що від емоцій залежить динаміка протікання діяльності;
4. *Регулююча функція* – впливає на спрямованість та втілення діяльності суб'єкта, а також на мотивацію на кожному етапі протікання діяльності;
5. *Синтезуюча функція* – полягає в поєднанні емоцій які виникали в окремих ситуаціях в певний комплекс;
6. *Сенсотворна функція* – осмислення емоцій які викликали певний емоційний стан;
7. *Захисна функція* – пов'язана з проявом страху для запобігання негативних наслідків;
8. *Приспосувальна функція* – емоції виникають, як засіб за допомогою якого людина адаптується до навколишнього середовища.

На сьогодні існує багато класифікацій емоцій, але найпоширеніша з них класифікація за модальністю. Її розробив К. Е. Ізард вона вміщує вісім фундаментальних, на його погляд, видів емоцій, а саме:

- *Радість* – позитивний емоційний стан, пов'язаний з повним задоволенням потреб;
- *Здивування* – дана емоційна реакція має нейтральний характер і виникає в раптових обставинах;
- *Страждання* – негативний емоційний стан, пов'язаний з незадоволенням життєво важливих потреб;
- *Гнів* – негативний емоційний стан, який викликається виникненням перешкод до задоволення лише життєво важливих потреб;

- *Відраза* – негативний емоційний стан, який виникає під дією певних об'єктів на суб'єкта;

- *Презирство* – негативний емоційний стан, який проявляється в міжособистісних відносинах під час розходження життєвих поглядів та позиції;

- *Страх* – негативний емоційний стан, який виникає при отриманні інформації про небезпеку суб'єкта;

- *Сором* – негативний емоційний стан, який проявляється під час розходження власних помислів, вчинків, не тільки очікуванням оточуючих, а й власним уявленням про належну поведінку.

Як висновок можна сказати, що емоції своїм впливом здатні змінити спосіб життя, дій і спілкування. Нездатність або небажання зрозуміти емоційний стан іншої людини призводить до психологічної несумісності і часто стає причиною найрізноманітніших конфліктів.

Хронологічно, майже одночасно з поняттям емоційного інтелекту, термін «емоційна компетентність» вводить в контексті психології розвитку Керолін Саарні, об'єднавши в складі емоційної компетентності сукупність когнітивних здібностей, соціальних навичок і емоційного досвіду. Концептуальна модель емоційної компетентності Саарні розглядається як єдність трьох аспектів: «Я-ідентичності», характеру і історії розвитку.

Емпірична модель емоційної компетентності репрезентується як набір з 8 здібностей або умінь:

1. Усвідомлення власних емоційних станів;

2. Здатність розрізняти емоції інших людей;

3. Здатність використовувати словник емоцій і форми вираження, прийняті в даній культурі (або субкультурі), а в найбільш зрілих стадіях – здатність засвоювати культурні сценарії і пов'язувати емоції з соціальними ролями;

4. Здатність симпатичного і емпатичного включення і переживання інших людей;

5. Здатність усвідомлення того, що внутрішній емоційний стан не обов'язково відповідає зовнішньому вираженню як у самого індивіда, так і у інших людей, а на більш зрілих стадіях – здатність розуміти, як вираз власних емоцій впливає на інших і враховувати це у власній поведінці;

6. Здатність справлятися зі своїми негативними переживаннями, використовуючи стратегії саморегуляції, які мінімізують інтенсивність або тривалість таких переживань (знімають «тяжкість переживання»);

7. Усвідомлення того, що структура або характер взаємин в значній мірі визначається тим, як емоції виражаються у взаєминах, а саме: як ступенем безпосередності, справжності прояви, так і ступенем емоційної взаємності або симетрії у взаєминах (так, наприклад, зріла інтимність характеризується взаємністю і симетрією в емоційних проявах, в той час як взаємини матері і дитини вираз матері і дитини носять асиметричний характер);

8. Здатність бути емоційно адекватним, тобто приймати власні емоції, якими б унікальними або культурно детермінованими вони не були, і відповідати власним знанням про бажаний емоційний «баланс».

Однак недостатня операціоналізація самого поняття сприяла методологічній невизначеності, що в кінцевому результаті призводила до змішання структурних характеристик емоційного інтелекту та емоційної компетентності (так, наприклад, Д. Гоулман виділив у складі емоційної компетентності два окремих компонента – «особистісну компетентність» і «соціальну компетентність» – і включив до їх складу елементи, які входять в структуру емоційного інтелекту).

Поняття «емоційний інтелект» komponує в собі два визначення – емоції та інтелект, тобто відбувається накладання емоцій особистості на її пізнавальну діяльність. Пояснити взаємозв'язок емоцій та розуму намагалися ще за часів античності в рамках такої науки як

філософія. Такі знамениті філософи як Арістотель, Сократ, Платон, Декарт працювали над даною проблемою. Також до теми емоційний інтелект доторкнувся англійський науковець Чарльз Дарвін у своїй роботі «Вираження емоцій у тварин та людей», в якій він написав про використання емоцій для адаптації.

Досить близько до терміну «емоційний інтелект» був професор Едвард Торндайк, який в 1920 році ввів термін «соціальний інтелект», даний феномен він описав як «здатність розуміти людей, чоловіків і жінок, хлопців і дівчат, уміння поводитися з людьми і розумно діяти у відносинах з людьми». І вже у 1960 роках вперше в роботах вчених почало з'являтися поняття «емоційний інтелект». Це відбулося в роботах Майкла Белдока (1964 рік) та Б. Лойнера (1966 рік). Свого піку емоційний інтелект досягає коли в 1990 році виходить впливова стаття американських професорів Дж. Мейера і П. Саловея. Вони стверджували, що EQ – це здатність сприймати, виражати, розуміти та пояснювати свої емоції та емоції оточуючих, а також вміння регулювати ними, тобто фактично вони визначили сучасне розуміння емоційного інтелекту.

Тому саме з 1990 року емоційний інтелект стає самостійним предметом психологічних досліджень. В 1994 році відбувається популяризація даного феномену і виникає бурхливе обговорення його широким колом суспільства. З 1998 року і до сьогодні відбувається уточнення сутності емоційного інтелекту.

На сьогодні Люсін дає поняття емоційного інтелекту, як здібність до зрозуміння своїх та чужих емоцій, а також вміння ними керувати. Для того щоб краще зрозуміти та розкрити поняття емоційного інтелекту треба розібратися, що мається на увазі під даною здібністю.

Здатність розуміти емоції – це вміння розрізняти одну емоцію від другої, знаходити слова для їх вираження, розуміти причини та наслідки їх виникнення.

Здатність до керування емоціями – це контроль інтенсивності своїх емоцій, вміння знижувати силу емоцій під час їх різкого підвищення та відбір емоцій для зовнішнього прояву.

На даному етапі розвитку суспільства одним з актуальніших питань психологічної науки є поняття «емоційний інтелект» – EQ. Під визначенням «емоційний інтелект» вчені позначають здатність людини контролювати та розуміти свої емоції та емоції оточуючих, але чоловіки і жінки з різною інтенсивністю і різними способами висловлюють свої емоції і сприймають чужі. Відмінності в інтенсивності вираження емоцій можуть бути пов'язані з тим, що у жінок лицьова активність в цілому вище, ніж у чоловіків. Також важливо враховувати і той факт, що чоловіки в рамках своєї традиційної статевої ролі схильні до мінімізації емоційної експресії. Виражені гендерні відмінності в сфері обробки емоційної інформації виявляються вже в підлітковому віці. Так, дівчатка-підлітки в цілому більш ефективно регулюють і контролюють свої почуття, краще їх вербалізують, мають більш багатий словниковий запас для опису емоційних станів, ніж хлопці-підлітки. Велика різноманітність способів вираження емоцій у дівчат, можливо, пояснюється тим, що у них здатність до вербалізації емоцій формується раніше і розвивається швидше, ніж у хлопчиків. Але все ж таки як це впливає на емоційний інтелект і взагалі є істотні відмінності EQ жінок і EQ чоловіків. Тому виникає необхідність розглянути гендерні особливості емоційного інтелекту.

Існує два аспекти емоційного інтелекту:

1. Внутрішньоособистісний – це самооцінка, впевненість, самоконтроль, мотивація, відповідальність, гнучкість, усвідомлення власних почуттів;
2. Міжособистісний – це емпатія, відкритість, довіра, легкість встановлення соціальних контактів з людьми.

На основі даних аспектів емоційного інтелекту виникають моделі EQ, існує три найпоширеніших моделі:

Таблиця 2. Теоретичні моделі емоційного інтелекту

<p>Модель емоційного і соціального інтелекту Ревену Бар-Она (ESI)</p>	1. Внутрішньоособистісна сфера	<p>а) асертивність (здібність відстоювати свою точку зору і при цьому не порушувати моральні права іншої особи);</p> <p>б) самооцінка (оцінка своїх сильних і слабких сторін);</p> <p>в) незалежність (самостійне прийняття рішень);</p> <p>г) само актуалізація (прагнення до розвитку та досягнення поставлених цілей);</p> <p>д) емоційне усвідомлення (здатність розуміти, оцінювати та відрізняти емоції).</p>
	1. Міжособистісна сфера	<p>а) емпатія (усвідомлене співпереживання емоційних станів інших людей);</p> <p>б) соціальна відповідальність (сприймати себе як частину соціальної групи та вміння співпрацювати);</p> <p>в) міжособистісні відносини (взаємодія та встановлення контактів з іншими особами).</p>
	3. Адаптаційна сфера	<p>а) вміння вирішувати проблеми;</p> <p>б) гнучкість (зміна своїх почуттів, дій, думок в залежності від обставин);</p> <p>в) оцінка дійсності (співвідношення особистих поглядів з реальністю, адекватність сприйняття).</p>
	4. Сфера керування стресом	<p>а) стресостійкість (здатність протистояти стресовій ситуації, забезпечується низькою емоційністю);</p> <p>б) контроль імпульсів (протистояння спокусі заради довготривалого успіху).</p>
	5. Сфера загального настрою	<p>а) оптимізм (позитивний погляд на життя);</p> <p>б) задоволеність життям (життєрадісність, любов до життя).</p>
<p>Змішана модель Гоулмана</p>	1. Самосвідомість	<p>а) самовпевненість (дійсна, адекватна оцінка своїх сильних та слабких сторін);</p> <p>б) точна самооцінка (усвідомлення своїх можливостей та здібностей);</p> <p>в) емоційна самосвідомість (використання інтуїції, розуміння своїх емоцій та усвідомлення їх впливу на особистість).</p>
	2. Самоконтроль	<p>а) оптимізм (вміння позитивно дивитися на ситуацію);</p> <p>б) відкритість (готовність випустити людину в свій внутрішній світ);</p> <p>в) приборкання емоцій (контроль емоцій, які негативно впливають на особистість або ситуацію);</p> <p>г) жага до перемоги (прагнення до покращення продуктивності для досягнення внутрішніх показників якості);</p> <p>д) адаптивність (приспособленість до вимог суспільства);</p> <p>е) ініціативність (готовність до активних дій);</p> <p>є) соціальні навички (вміння розуміти механізм наших відносин з людьми).</p>

	3. Соціальна чуйність	а) емпатія (усвідомленне співпереживання психічного стану іншої людини); б) ділова обізнаність (розуміння ієрархічної відповідальності, політики); в) люб'язність (визнавати та задовольняти потреби клієнтів, підлеглих).
	4. Керування відносинами	а) вплив (вміння переконувати); б) наснага (здатність вести людей за собою); в) сприйняття змін (вміння вести людей в новому напрямі); г) допомога в самовдосконаленні (заохочення до розвитку здібностей інших людей); д) зміцнення взаємовідносин (підтримка соціальних зв'язків); е) вирішення конфліктів (вміння подолати розходження у поглядах на ситуацію); є) співробітництво та робота в команді (здатність до створення та керування командою).
<i>Модель емоційного інтелекту Майера-Саловея-Карузо (модель здібностей)</i>	1. Сприйняття, оцінка та вираження емоцій	▪ здібність розпізнавати емоції інших людей за допомогою аналізу їх поведінки, а також здібність точно розуміти свої відчуття та вміння виражати емоції пов'язані з цими відчуттями.
	2. Використання емоцій для підвищення ефективності мислення	▪ здібність людини використовувати свої емоції вирішення задач, а також використання емоцій як мотивацію
	3. Розуміння та аналіз емоцій	▪ вміння розуміти різницю між дуже схожими емоціями, визначати причину даної емоції та її наслідки
	4. Оцінка емоцій	▪ вміння керувати своїми та чужими емоціями, здатність свідомо контролювати їх

Емоційний інтелект достатньо нове явище, що обумовлює актуальність нашої теми. Якщо дати визначення, то «емоційний інтелект» – це вміння розбиратися в емоційній сфері людини, тобто розуміти та відрізняти емоції, використовувати їх для досягнення тих цілей, які пов'язані з відносинами та мотивацією. На даний момент існує багато моделей EQ такі як модель емоційного і соціального інтелекту Ревену Бар-Она, модель емоційного інтелекту Майера-Саловея-Карузо (модель здібностей), змішана модель Гоулмана та інші. Найголовніша характеристика емоційного інтелекту, що поєднує всі ці теорії (моделі), це розглядання його, як сукупність здібностей людини до керування та розуміння особистих емоцій та емоцій інших людей.

Так як емоції являються дуже важливими в життєдіяльності людини необхідно прагнути до підтримки у себе і оточуючих позитивного емоційного стану, адже це забезпечує здоров'я, бадьорість та досягнення свої цілей.

Емоційний інтелект достатньо нове явище, що обумовлює актуальність його вивчення;

EQ дуже важливий компонент в життєдіяльності людини, адже його ядро – це емоції, а емоції – це те, що з нами кожен секунду і якщо ми навчимося правильно їх використовувати та розуміти ми полегшимо собі життя.

Емоційний інтелект – це здібність людини розпізнавати та розуміти емоції, мотивацію і бажання інших людей і свої власні, а також здатність керувати своїми емоціями та емоціями інших людей з метою вирішення практичних задач.

1) Дослідити особливості емоційного інтелекту у курсантів та студентів НУЦЗУ.

Проаналізувавши загальні дані, отримані після проведення дослідження особливостей емоційного інтелекту можна зробити висновок, що високі показники по шкалам емоційного інтелекту має невеликий відсоток опитуваних, а у більшості низькі та середні значення.

2) Проаналізувати результати показників управління емоцій як компоненту емоційного інтелекту.

Після проведення порівняльного аналізу показників управління емоціями у представників чоловічої та жіночої статі можна зробити висновок, що в даній вибірці не існує відмінностей між вмінням керувати емоціями у чоловіків та жінок на рівні статистичної значущості.

1.6. Designing socio-cultural development of the student's personality in the system of professional physical culture education

1.6. Проектування соціокультурного розвитку особистості студента в системі професійної фізкультурної освіти

Вступ. У сучасному світі набула поширення філософська інтерпретація соціальної цінності фахівця фізичного виховання та спорту як особистості, здатної до самопізнання, самовдосконалення й саморозвитку, яка, опановуючи основи наук, постійно вивчає себе й інших людей, професійно зростає, набуває компетентності вдосконалення власної життєдіяльності й забезпечення здорового способу життя своїх вихованців. Повноцінна самореалізація особистості фахівця неможлива без його компетентності у соціокультурній сфері. Саме в культурі сформульовані цінності, які є базою для орієнтування у складних соціальних відносинах.

Професійна діяльність сучасного фахівця фізичного виховання та спорту багатофункціональна, полімістивна й інтернаціональна за своєю сутністю, є ареною взаємодії багатьох факторів, взаємодії людей різних національностей, ствердження всебічного співробітництва. Умовою оптимального функціонування фахівця фізичного виховання та спорту у системі професійного соціокультурного поля діяльності є досягнення високого рівня соціокультурної компетентності, яка розглядається як важлива складова його професіоналізму.

Соціокультурну компетентність особистості у найзагальнішому вигляді можна визначити як рівень засвоєння індивідом основних культурних цінностей світової та національної культурної спадщини, як його здатність формувати себе у просторі культури, зокрема у сфері фізичної й спортивної культури. Соціокультурна компетентність фахівця фізичного виховання та спорту, яка базується на функціональному науковому утворенні, емоційно-ціннісному відношенні до фізкультурно-спортивної діяльності, володінні технологіями професійної праці є передумовою формування готовності фахівця до творчого вирішення культурно-освітніх та фізкультурно-спортивних завдань і своєї особистості.⁴⁷

Методологія. Аналіз психолого-педагогічної літератури засвідчує, що проблему формування соціокультурної компетентності майбутніх фахівців різного профілю досліджували Е. Боголюбова, Б. Гершунський, Е. Жужера, В. Зінченко, В. Ледньов, Б. Ліхачова, Н. Пахомов, Н. Розов, Т. Фоменко, В. Шахрай, Н. Щуркова. У системі підготовки студентів фізкультурних спеціальностей ряд вітчизняних (В. Буряк, С. Гончаренко, І. Зязюн, І. Іваній, В. Кремінь, В. Мадзігон, Н. Ничкало, М. Євтух та інші В. Сутула) та зарубіжних учених (Ф. Мухамітянов, М. Ельмурзаєв, І. Войнер та ін.) розглядають фізичну культуру особистості як соціокультурний феномен.

Зростання вимог до сучасного спеціаліста як цілісної особистості й професіонала з урахуванням ролі та місця соціокультурної компетентності як важливого компонента професіоналізму майбутнього фахівця, наприклад фахівця фізичного виховання та спорту, вимагає розробки означеного питання в навчальному процесі ВЗО.

Дослідження феномену фізичної культури на основі філософсько-культурологічного підходу, її аналізу як частини загальної культури, породило ряд теорій, які в значній мірі допомагають вирішувати проблему її формування й розвитку в системі фізкультурної освіти. Важливим серед них є: біологічні та соціальні, тілесні та духовні аспекти в сфері фізичної культури (В. Бальсевич, М. Візітей, М. Пономарьов, Б. Шиян та ін.); ціннісний аспект фізичної

⁴⁷ Жужера Е. А. (2013): Социокультурная компетентность будущего специалиста: от сущности к технологии формирования [Электронный ресурс].

культури (В. Видрін, Л. Лубишева, В. Столяров, Л. Сущенко та ін.); формування фізичної культури особистості (В. Бальсевич, М. Віленський, Е. Вільчковський, Л. Матвеев, Л. Лубишева, Ю. Ніколаєв, Б. Шиян та ін.).

Необхідність дослідження проблеми шляхом суттєвого підвищення ролі соціокультурної компетентності в підготовці майбутнього фахівця за рахунок упровадження новітньої методики дозволяє нам говорити про її актуальність під час викладання гуманітарних дисциплін. Уважаємо, що сучасні вищі заклади освіти зможуть забезпечити формування соціокультурної компетентності, якщо задовольнити сучасні потреби та вимоги особистості й суспільства в цілому. Це стосується відповідного рівня соціокультурної компетентності, за якого будуть виявлені та досліджені форми та способи підвищення значимості її у навчально-виховному процесі, а також розроблені методики організації застосування на практиці, визначені основні поняття, що дозволить актуалізувати базові складові культурно-розвивального аспекту вищого закладу освіти.⁴⁸

Сучасне дослідження потрібно здійснювати в умовах розвитку гуманітарних наук як фундаменту суспільно-соціальних життєвих форм, за допомогою яких визначаються ціннісно-сміслові орієнтири діяльності майбутніх фахівців через системи соціальних і культурних практик, через формування концептуальних ідей та різноманітних теорій з метою відрізнити традиційні підходи гуманітарної освіти до творчого усвідомлення ефективного застосування гуманітарних предметів. Зміна орієнтирів гуманітарної освіти призводить до просторової комунікативності, яка формує предметні галузі та визначає роль і значення дослідження соціокультурної компетентності. Внутрішня логіка діяльності майбутнього вчителя освітянського процесу усвідомлюється через поняття соціокультурної компетентності особистості. Відтак, потрібна методика компетентності особистості, яка розвиває соціокультурну компетентність, складається з правил базових соціальних практик, що зумовлює впровадження сучасних способів, форм і технологій компетентності, в тому числі й у підготовці майбутніх учителів гуманітарних предметів. На нашу думку, потрібно враховувати і культурні цінності, що складають основу соціальної та культурної ініціативи, активізують прийняття відповідальних рішень, які перебувають у розрізі професійної компетентності.⁴⁹

Отже, аналіз літературних джерел свідчить, що проблема соціокультурного розвитку студентів фізкультурних спеціальностей в процесі їхньої професійної підготовки викладена недостатньо, зокрема, потребує наукового обґрунтування стратегія проектування педагогічного процесу – сполучення широкої соціально-культурної орієнтації фізкультурної освіти з завданнями фізкультурно-спортивної професії.

Мета дослідження: обґрунтувати стратегію проектування соціокультурного розвитку особистості студента в системі професійної фізкультурної освіти.

Для досягнення поставленої мети передбачено виконання таких завдань:

1. Розглянути поняття «соціокультурна компетентність» як культурологічне явище життєдіяльності молоді.
2. Визначити структуру і зміст соціокультурної компетентності фахівця фізичного виховання.
3. Провести тестування показників соціокультурної компетентності студентів фізкультурної спеціальності.

Об'єкт дослідження: соціокультурна компетентність фахівця фізичного виховання.

⁴⁸ Фоменко Т. М. (2015): Міжпредметні зв'язки соціально-гуманітарних дисциплін як педагогічна умова формування соціокультурної компетентності майбутніх аграріїв, с. 418.

⁴⁹ Шахрай В. М. (2010): Соціокультурна компетентність молоді: приклад регіонального дослідження, с. 19.

Предмет дослідження: структура та зміст соціокультурної компетентності фахівця фізичного виховання.

Нинішні загальні характеристики соціокультурної компетентності в сучасній освіті базуються на принципах:

- визнання розвитку особистості головним завданням освіти, а становлення унікальної індивідуальності майбутнього професіонала – її головним результатом;
- зміст освіти має бути наповнений культурними сенсами і загальнолюдськими цінностями;
- педагогічні засоби, форми та методи навчально-виховного процесу мають бути спрямовані на розвиток суб'єктних, позитивних властивостей особистості, на самопізнання;
- підготовка професіонала має відбуватися в особливому культурно-виховному середовищі, в якому є всі підстави для вільного вибору особистістю способів самореалізації та її культурного саморозвитку.

Результати дослідження. Загальна лінія розвитку соціокультурної компетентності фахівця фізичного виховання та спорту полягає в сприянні переведенню потенціалу особистісного і соціокультурного розвитку в оперативний план виявлення засобами цілеспрямованого розвиваючого впливу на структурні компоненти соціокультурної компетентності (когнітивний, мотиваційно-ціннісний, діяльнісно-поведінковий).⁵⁰

Сутнісне розкриття процесу формування соціокультурної компетентності на рівні філософського, соціального, культурологічного й психологічного розуміння складає необхідну основу для виявлення й наукового обґрунтування психолого-педагогічних закономірностей, механізмів і факторів формування соціокультурної компетентності в освітньому процесі вищого закладу освіти (системі спеціальної фізкультурної освіти).

Стратегічною метою проектування соціокультурного розвитку особистості фахівця фізичного виховання та спорту в умовах професійної фізкультурної освіти є високий рівень професійно-особистісної підготовки випускників, зміст якої повинен бути співвіднесеним як із запитами майбутньої професійної діяльності, так і з вимогами суспільства (соціума) до особистості фахівця взагалі. Вельми складним є завдання проектування педагогічного процесу – сполучення широкої соціально-культурної орієнтації освіти з вузьким завданням фізкультурно-спортивної професії. Для вирішення цього завдання необхідна, на наш погляд, стратегія, яка передбачає:

а) удосконалення методології та стратегії відбору змісту спеціальної фізкультурної освіти на основі ідеї інтеграції (інтеграції загального й професійного; інтеграції розвитку, виховання й навчання; інтеграції природничо-наукового й різних галузей гуманітарного (соціокультурного) знання; інтеграція різних видів діяльності та ін.);

б) створення матеріальних і психолого-педагогічних умов, які сприяють розвитку в процесі фізкультурної освіти єдиного розвивально-освітнього простору як єдності цінностей, шляхів, засобів і способів фізкультурно-спортивної освіти. До таких ми відносимо:

– зміну змісту й характеру навчально-професійної діяльності, спрямованих на становлення системи особистісних освітніх смислів, розгортання стимулів і мотивів самоосвіти і саморозвитку; створення субординованої, особистісно значущої системи пізнавально-ціннісних орієнтацій;

– впровадження заходів, які забезпечують реалізацію полісуб'єктивного й індивідуально-творчого характеру освітнього процесу як процесу привласнення та створення суб'єктивно нового фізкультурно-спортивного знання, а також засвоєння способів його отримання;

⁵⁰ Іваній І. В. (2014): Фізична культура як феномен розвитку соціокультурної компетентності майбутнього вчителя фізичного виховання, с. 15.

- орієнтацію освітнього процесу на розкриття смислового аспекту знань, їх загальнолюдського смислу;
- організацію цілевідповідних форм взаємодії в освітньому процесі, що забезпечують необхідний рівень інтерактивності (діалогічності);
- планування конкретних видів діяльності (освітньої, спортивної, рекреаційної, прикладної), методів і форм їх реалізації в аспекті розвитку соціокультурної компетентності, які сприяють набуттю когнітивної інформації функціонального, більш оперативного характеру.⁵¹

Зміну якісного рівня соціокультурного розвитку майбутніх фахівців фізичного виховання та спорту найбільш перспективно розглядати, на наш погляд, з позицій вирішення проблеми проектування та реалізації *соціально-педагогічної технології*, яка дозволяє організувати освітній процес з урахуванням соціально-професійної спрямованості навчання, а також з орієнтацією на особистість студента, його потреби, інтереси, схильності та здібності.

Кожному етапу технологічного циклу властиві свої навчальні технології. У процесі практичної роботи викладачами ми випробували значну кількість технологій (як традиційних, так й інноваційних) для того, щоб обрати ті з них, які сприяють соціокультурному розвитку студентів. З'ясувалося, що більш повноцінному процесу соціокультурного розвитку сприяє застосування соціально-розвивальних технологій навчання, які актуалізують ціннісно-смислову основу та діалогічну природу розвитку студента. Оптимальний характер професійно-особистісний розвиток набуває в тих випадках, коли освітній процес протікає у вигляді міжособистісного діалогу, в формі співтворчого пошуку його суб'єктами вирішення реальних професійних проблем.

Звернення до інтерактивного типу навчання, для якого характерним є стимулювання активного відгуку на проблемні ситуації, з якими стикається студент, є обґрунтованими. Сутнісною характеристикою інтерактивного навчання є засвоєння досвіду студентами (стихийне або спеціально організоване) на основі взаємодії. Технології інтерактивного навчання засновані на використанні різних методичних стратегій і прийомів моделювання ситуацій реального спілкування й організації взаємодії студентів у групі з метою спільного вирішення когнітивно-комунікативних завдань. Окрім удосконалення механізмів соціальної адаптації й напрацювання когнітивно-поведінкових стратегій, інтерактивний тип навчання пропагує антропоцентричний підхід до освітнього процесу, тобто виходить із самооцінки студента, сприяючи становленню самостійної, свідомої й відповідальної особистості, яка зможе передбачити перешкоди при досягненні тієї чи іншої мети, а також буде володіти навичками самовдосконалення своєї когнітивної й емоційно-вольової сфери. Робота з накопиченим досвідом – характерна риса інтерактивного навчання. Суттєвим моментом є інтенсифікація на суб'єктивному рівні творчої активності, самостійності й відповідальності особистості.

З точки зору наведених характеристик до числа інтерактивних технологій ми відносимо діалогові технології (зовнішній, внутрішній, множинний діалоги, діалоги епох, діалоги різнохарактерних культур); ігрові технології (рольові й інші види дидактичних ігор); технології, які забезпечують самовираження студентів (ситуації вибору, персоналізація, завдання на виявлення саморефлексії, моделювання життєвих ситуацій і ситуацій поведінки, метод особистісно значущих конкретних ситуацій, метод інциденту, ціннісне орієнтування); технології проблемно-творчого типу (проблемні ситуації, завдання на «смісл» ситуації, зони «емоційного збудження розуму», завдання з життєвими враженнями та ін.).

Пряме призначення соціально-педагогічної технології, яка покликана забезпечити гармонійне поєднання мети навчання, розвитку, саморозвитку й професійної підготовки,

⁵¹ Мухамітянов Ф. Д. (2012): Физическая культура как социокультурный феномен, с. 36.

полягає у тому, щоб створити умови для інтеріоризації особистісно й професійно значущих соціокультурних ознак (у вигляді інформації, установок, ціннісних орієнтацій, поведінкових патернів, соціальних ролей та ін.) у межах педагогічно оформлених соціальних та інтерсоціальних впливів.

Основою для проектування соціально-педагогічної технології є: системне поєднання технології з наявним педагогічним процесом; врахування індивідуально-типологічних особливостей навчальних груп; вибір і створення системи діагностики, яка дозволяє викладачу змістовно інтерпретувати результати; створення технологічно вивіреної динаміки формування соціокультурної компетентності студентів.⁵²

Велике значення для соціокультурного розвитку майбутнього фахівця фізичного виховання та спорту має *соціальна взаємодія студента* в контексті його професійної підготовки, яка розглядається в декількох напрямках:

1. *Професійна взаємодія у фізкультурно-оздоровчій діяльності* здійснюється між фахівцем (студентом), учнями, батьками, а також із закладами охорони здоров'я, з освітніми, громадськими й спортивними організаціями. У результаті такої взаємодії вирішуються завдання та проблеми зміцнення здоров'я учнів, розвитку, морального виховання, патріотизму. Політика професійної взаємодії спрямована на розвиток в учнів інтересу до фізкультурно-оздоровчої діяльності, а також на особистісний розвиток кожного учня шляхом використання індивідуального підходу.

2. *Функціонально-рольова взаємодія* відбувається на двох рівнях фізкультурно-оздоровчої діяльності: а) на рівні загальноосвітньої школи, основні завдання якої – по-перше, зміцнення здоров'я учня та його гармонійний фізичний розвиток, по-друге, виявлення спрямованості учня до занять певним видом спорту; б) на рівні фізкультурно-спортивних організацій (дитячо-юнацька спортивна школа, школа вищої спортивної майстерності, школа олімпійського резерву та інші), головним завданням яких є досягнення високих спортивних результатів. Взаємодія між суб'єктами цих рівнів полягає в погодженні фізкультурних заходів, процесуальної сторони фізкультурно-оздоровчої діяльності, спільного вирішення виникаючих проблем.

3. *Міжособистісна взаємодія в процесі спільної діяльності* полягає у взаємодії між учителем фізичної культури (тренером) й учнями, яка обумовлює рівні: ефективності фізкультурно-оздоровчої діяльності, підготовленості вихованців до її здійснення й побудови статусно-рольових відносин у колективі (в класі, команді).

Соціокультурна компетентність фахівця фізичного виховання та спорту полягає в ефективності вирішення ним фізкультурно-спортивних і соціальних завдань, міжкультурного спілкування, участі в соціальній взаємодії та діалозі культур тощо у процесі професійної діяльності. Ми показали, що соціокультурна компетентність фахівця фізичного виховання та спорту змістовно (знання, вміння, навички, ціннісні орієнтації, установки, поведінка особистості фахівця тощо) і функціонально пов'язані з цінностями його фізичної та спортивної культури. Підкреслимо, що духовне, ціннісне становлення особистості майбутнього фахівця фізичного виховання та спорту покладено в основу функціонування всіх компонентів соціокультурної компетентності, які, завдяки їх взаємовпливу, забезпечують соціокультурний розвиток особистості.

Узагальнюючи вищевикладене зазначимо, що соціокультурна компетентність є ключовою та включає в себе компетенції:

⁵² Передельський А. А. (2014): Феномен спортивної культури в аспекте філософського и социологического анализа, с. 95.

- *комунікативну* (володіння інформаційними технологіями, уміння вести діалог із питань розвитку фізичної культури і спорту, знаходження організаційно-управлінських рішень у складних фізкультурно-спортивних ситуаціях);

- *загальнокультурну* (знання особливостей національної й загальнолюдської культури, духовно-моральних основ життя людини, нації й людства, культурологічних основ сімейних, соціальних, суспільних явищ і традицій, роль науки та релігії в житті людини, їхній вплив на світ; володіння культурою мислення; прагнення до саморозвитку, підвищення своєї кваліфікації в сфері фізичної культури та спорту);

- *особистісного самовдосконалення* (використання накопичених у галузі фізичної культури та спорту духовних цінностей і цінностей національної й інших культур, знання інноваційних підходів до визначення ефективності фізкультурно-спортивних технологій);

- *соціальної взаємодії* (накопичення досвіду творчої діяльності, емоційно-ціннісного сприйняття професійної діяльності, знання соціальної значущості своєї професії, способів взаємодії з різними суб'єктами фізкультурно-спортивного процесу).

Проведене тестування студентів Інституту фізичної культури (діагностика рівня духовного розвитку особистості⁵³; методика діагностики ціннісних орієнтацій особистості⁵⁴ – методика М. Рокича) показали, що більше, ніж 40% респондентів мають високий рівень духовності, однак більше 30% студентів продемонстрували цей рівень як низький. Виявлення ціннісних орієнтацій студентів у соціальній та фізкультурній сферах показало, що понад 60% студентів практично не мають уявлень про ціннісні орієнтації в сфері майбутньої професійної діяльності, що вказує на необхідність посилення підготовки студентів із орієнтацією на їх ціннісне відношення до майбутньою професійної діяльності.

Висновки. На основі проведеного аналізу соціокультурної компетентності молоді можна зробити висновки, що відбувається прагматизація свідомості молодого покоління, обмеження духовних джерел його життєдіяльності. Переважна більшість молодих людей має невисокий рівень культурних потреб, що реалізуються, як правило, в епізодичних і непослідовних зверненнях до культурних цінностей. Щодо рівня етнокультури молоді, то тут слід зазначити, що він характеризується більше емоційним сприйняттям свого рідного народу, ніж глибокими знаннями щодо його культурно-мистецьких здобутків. Тому у значній частини молоді можна констатувати низьку сформованість соціокультурної компетентності, що висуває необхідність обґрунтування та розробки конкретних соціально-педагогічних технологій, спрямованих на підвищення її рівня.

Таким чином, проведене дослідження показало, що стратегічною метою проектування соціокультурного розвитку особистості студента в умовах професійної фізкультурної освіти є високий рівень його професійно-особистісної підготовки, зміст якої повинен бути співвіднесеним як із запитами майбутньої професійної діяльності, так і з вимогами соціуму до особистості фахівця. Розглянуто значення соціальної взаємодії студента в контексті його професійної підготовки (взаємодія у фізкультурно-оздоровчій діяльності, функціонально-рольова та міжособистісна взаємодія) та навчальні технології, які спрямовані на соціокультурний розвиток майбутнього фахівця.

⁵³ Вознюк О. В. (2013): Интегральная концепция соматического и духовного здоровья личности, с. 716.

⁵⁴ Шукшина Т. И. (2013): Развитие культурно-продуктивной личности в условиях базового центра педагогического образования, с. 62.

Література:

1. Вознюк О. В. Интегральная концепция соматического и духовного здоровья личности: монография / О. В. Вознюк. – Житомир: Изд-во ЖГУ им. И. Франко, 2013. – 716 с.
2. Жужера Е. А. Социокультурная компетентность будущего специалиста: от сущности к технологии формирования [Электронный ресурс] – режим доступа: <http://5world.com.ua/index.php/ru/conference/the-content-of-conferences/archives-of-individual-conferences/march-2013>.
3. Іваній І. В. Фізична культура як феномен розвитку соціокультурної компетентності майбутнього вчителя фізичного виховання // Педагогіка, психологія та медико-біологічні проблеми фізичного виховання і спорту. – 2014. – № 4. – С. 13-16. doi:10.6084/m9.figshare.950950.
4. Мухамитянов Ф. Д. Физическая культура как социокультурный феномен / Ф. Д. Мухамитянов // Теория и практика физической культуры. – 2012. – № 7. – С. 35-37.
5. Передельский А. А. Феномен спортивной культуры в аспекте философского и социологического анализа / А. А. Передельский, А. Г. Алексеев, Ю. А. Цегельный // Теория и практика физической культуры. – 2014. – № 8. – С. 94-96.
6. Фоменко Т. М. Міжпредметні зв'язки соціально-гуманітарних дисциплін як педагогічна умова формування соціокультурної компетентності майбутніх аграріїв / Т. М. Фоменко // Педагогічні науки: теорія, історія, інноваційні технології: наук. журнал / голов. ред. А. А. Сбруєва. – Суми: Вид-во СумДПУ імені А. С. Макаренка, 2015. – № 5 (49). – С. 414-422.
7. Шахрай В. М. Соціокультурна компетентність молоді: приклад регіонального дослідження / В. М. Шахрай // Всеукраїнський науковий журнал «Освіта регіону: політологія, психологія, комунікації», 2010. – № 2. – С. 18-25.
8. Шукшина Т. И. Развитие культурно-продуктивной личности в условиях базового центра педагогического образования / Т. И. Шукшина, П. В. Замкин // Высшее образование сегодня. – 2013. – № 1. – С. 60-66.

1.7. The analysis of the efficiency of physical rehabilitation programs for women's obesity at a sanitary resort stage of treatment

1.7. Аналіз ефективності програм фізичної реабілітації при ожирінні у жінок на санаторно-курортному етапі лікування

Ожиріння є однією з основних проблем XXI століття, яке входить до числа неінфекційних захворювань, що призводить до зростання смертності, втрати працездатності та інвалідизації.⁵⁵

У багатьох країнах світу за останні 10 років кількість хворих на ожиріння збільшилася в середньому вдвічі. В економічно розвинутих країнах майже 50% населення має надмірну вагу тіла, при цьому у 30% з них спостерігається ожиріння.⁵⁶

В Україні ожиріння виявляють майже в 30% населення, а надмірну масу тіла має кожний четвертий мешканець. Встановлено, що серед жінок різного віку дана патологія зустрічається частіше, ніж серед чоловіків, що пов'язано з відмінностями в структурі і функціях чоловічого та жіночого організму.⁵⁷

Корекція надмірної ваги серед жінок вимагає більш поглибленої деталізації засобів реабілітаційного процесу в залежності від ступеня, патоетіологічних чинників, фізичної працездатності та психоемоційного стану пацієнтів, супутніх захворювань тощо.

Необхідно зазначити, що головною метою фізичної реабілітації хворих з ожирінням є зменшення ризику від супутніх захворювань та покращання загального функціонального стану організму.^{58,59}

Як підкреслюють більшість авторів, до реабілітації осіб з ожирінням необхідно підходити комплексно, включаючи: низькокалорійну дієту, збільшення фізичної активності та зміни способу життя. Реабілітаційні заходи потрібно підбирати для кожного пацієнта індивідуально, враховуючи: стать, вік, ступінь ожиріння, індивідуальний ризик для здоров'я, психологічний статус, результати попередніх методів боротьби з ожирінням.^{60,61,62}

Вчені наголошують, що основою немедикаментозного лікування ожиріння є дієтотерапія, спрямована на зменшення енергетичної цінності їжі, чого можна досягти за допомогою зниження калорійності добового раціону. Енергетична цінність харчування

⁵⁵ Аметов А. С. Ожирение, фактор ухудшающий прогноз и качество жизни пациентов с сахарным диабетом 2-го типа / А. С. Аметов, Е. В. Доскина, М. Ш. Абаева, П. К. Нажмутдинова // Медико-социальная экспертиза и реабилитация. 2014. № 3, с. 48-52.

⁵⁶ Rossner S. Obesity: The disease of the twenty-first century: Abbott European Obesity Symposium «The Metabolic Challenge of Obesity: Impact of Weight Management on Improvement of Metabolic Risk Factors», Prague, Apr., 13, 2011. / S. Rossner // Int. J. Obesity. 2011. Vol. 4, Is. 26. – P. 12-34.

⁵⁷ Манська К. Г. Особливості харчової поведінки у молодих жінок з первинним ожирінням / К. Г. Манська // Проблеми ендокринної патології. 2014. № 3, с. 54-59.

⁵⁸ Старкова Т. Н. Клиническая эндокринология: Руководство для врачей / Т. Н. Старкова. М: Медицина, 2010. 512 с.

⁵⁹ Фізичні чинники в медичній реабілітації: підручник для студентів та лікарів / за заг. ред. В. М. Сокрута, В. М. Казакова. Донецьк: Дон НМУ; ДОКТМО. 2008. 576 с.

⁶⁰ Попов С. Н. Физическая реабилитация: учебник для академий и институтов физической культуры / С. Н. Попов. Ростов-на-Дону: Феникс, 1999. 280 с.

⁶¹ Мухін В. М. Фізична реабілітація / В. М. Мухін. К.: Олімпійська література, 2000. 423 с.

⁶² Фізична реабілітація, спортивна медицина: підручник для студентів вищих мед. навч. закл. / В. В. Абрамов, В. В. Клапчук, О. Б. Неханевич [та ін.]; за ред. професора В. В. Абрамова та доцента О. Л. Смирнової. Дніпропетровськ, Журфонд, 2014. 455 с.

складається з потреб на основний обмін, термогенез і фізичну активність, розраховується в середньому виходячи з 1 ккал на 1 кг маси тіла на годину.⁶³

Важливою складовою реабілітаційного процесу хворих на ожиріння є *підвищення фізичної активності*. Вчені вважають, що для посилення ліполітичних процесів, активації вуглеводного водно-сольового обміну бажано використовувати фізичні вправи прикладного і спортивного характеру (ходьбу, біг підтюпцем, плавання, ходьбу на лижах, їзду на велосипеді) у поєднанні з спеціальними гімнастичними вправами для м'язів черевного пресу, великих м'язових груп, зі значним м'язовим зусиллям, що виконують у середньому або швидкому темпі.^{64,65,66}

Для корекції надмірної ваги тіла в останній час все більше уваги приділяється оздоровчим фітнес програмам: «Бодіфлекс», «Оксісайз», «Цзяньфей», «Пілатес» та «Пранаяма йога», в яких акцент ставиться на дихальні вправи. Спеціальні дихальні вправи дозволяють збільшити насичення киснем клітин, що стимулює метаболічні процеси та окислення жирів.^{67,68,69}

Особливе значення при ожирінні надається плаванню, що є спеціальною вправою в залежності від техніки плавальних рухів, досягається тренувальна дія на різні м'язові групи та їх зміцнення. При будь-якому стилі плавання зміцнюються м'язи спини, черевного пресу нижніх і верхніх кінцівок. Обсяг загально фізичного навантаження регулюється тривалістю, темпом плавання, технікою рухів. У процесі плавання активізуються функції дихання, кровообігу, збільшується глибина дихання, життєва ємкість легень⁷⁰.

Ефективність фізичної реабілітації з хворими на ожиріння підвищується при застосуванні фізіотерапії. При підборі фактору впливу перевага надається водним процедурам для стимуляції загального тонуусу організму, покращання функції кардіо-респіраторної системи, обміну речовин, підсилення енерговитрат та загартуванню. З цією метою використовують контрастні ванни, мінеральні ванни (азотні, вуглекислі, радонові, сульфідні, йодобромні, хлоридо-натрієві), душі (Шарко, Шотландський, циркулярний, підводний душ-масаж, гідролазерний масаж), парову, сухоповітряну лазні, а також вологі обкутування, обтирання, обливання.^{71,72}

І. З. Самосюк наголошує, що під впливом підводного душа-масажу відбувається активація ліполізу.⁷³

Ліпотропна дія йодобромних ванн більш виражена ніж при хлоридних і прісних. Йодобромні ванни дають можливість коригувати порушення метаболізму ліпідів. Систематичне застосування йодобромних ванн з розведеної мінеральної води (мінералізація

⁶³ Нутріціологія: навч. посібник / Н. В. Дуденко [та ін]; під заг. ред. Н. В. Дуденко. Харків, Світ Книг, 2013. 560 с.

⁶⁴ Лікувальна фізкультура в санаторно-курортних закладах. За ред. Л. І. Фісенко. К: Вид «Купріянова», 2005. 400 с.

⁶⁵ Епифанов В. А. Лечебная физическая культура: [справочник] / В. А. Епифанов. М: Медицина, 2004. 592 с.

⁶⁶ Епифанов В. А. Восстановительная медицина: ученик / В. А. Епифанов. М: ГЭОТАР-Медиа, 2013. 298 с.

⁶⁷ Чайдерс Г. Вилкопепная фигура за 15 минут в день / Г. Чайдерс. 5-е издание. Мн: Попурри, 2010. 208 с.

⁶⁸ Exercise and Weight Loss: No Sex Differences in Body Weight Response to Exercise / Phillipa Caudwell, Catherine Gibbons, Graham Finlayson [etal.] // Exercise & Sport Sciences Reviews. 2014. Vol. 42 (3). P.92-101.

⁶⁹ Хоули Э. Т. Руководство инструктора оздоровительного фитнеса / Э. Т. Хоули. Київ: Олімп. л-ра, 2004. 375 с.

⁷⁰ Ежов В. В. Гидрокинезотерапия / В. В. Ежов. Симферополь, ЧП «Илино», 2005. 156 с.

⁷¹ Ежов В. В. Физиотерапия для врачей общей практики. Руководство для врачей / В. В. Ежов, Ю. И. Андрияшик. Симферополь-Ялта. 2005. 400 с.

⁷² Булат Л. М. Клінічна фізіотерапія і курортологія / П. С. Мельник. Вінниця, 1999. 215 с.

⁷³ Самосюк І. З. Физиотерапия, физиопунктура и бальнеолечение гастроэнтерологических и некоторых сопутствующих заболеваний (сердечно-сосудистых, сахарного диабета, ожирения и др.) / И. З. Самосюк, В. М. Мавродий, Л. И. Фисенко. Киев: АО «УКРПРОФЗДРАВНИЦА», 1998. 335 с.

понад 20 г/л) викликає морфофункціональні ознаки гіперфункції щитоподібної залози, збільшення базофільних клітин в передній частині гіпофіза і гіперфункцію коркового шара надниркових залоз. Спостерігається поліпшення скорочувальної функції міокарда та зменшення морфологічних ознак атеросклерозу в судинах.⁷⁴

З фізіотерапевтичних процедур загальної дії, що застосовуються як на курортах, так і в поза курортних умовах для лікування хворих на ожиріння є кліматотерапія. Кліматичні фактори впливають на терморегуляторний апарат, покращують нейроендокринну регуляцію, функції дихання і кровообігу, підвищують інтенсивність окислювально-відновних процесів в тканинах, нормалізують реактивність організму, надають загартовуючу і тренувальну дію на організм в цілому і окремі його системи. Кліматотерапію рекомендують у вигляді аеро-, геліо- і таласотерапії.⁷²

Дослідження проводили на базі санаторію «Бердянськ» м. Бердянськ, Запорізької області з червня по серпень 2018 р. В дослідженні приймали участь 25 жінок віком 35-55 років, з яких було сформовано дві групи: основну (ОГ) та групу порівняння (ГП). В ОГ увійшло 13 жінок, у ГП – 12 жінок р з екзогенно-контитуційною формою ожиріння I-II ст. Критеріями включення в групу було: згода пацієнта брати участь у дослідженні, його обізнаність з принципами самоконтролю (вміння вимірювати ЧД, ЧСС, АТ), бажання виконувати всі вимоги розробленої програми і приймати активну участь в усіх запропонованих засобах фізичної реабілітації.

Завдяки проведенню теоретичних, емпіричних та статистичних методів дослідження виявили, що причиною ожиріння: у 88% жінок ОГ та ГП стала спадкова схильність, часті стреси, малорухливий спосіб життя, переїдання та зміни характеру харчування. Виявили основні клінічні симптоми ожиріння: порушення сну (недосипання – 60%, сонливість – 40%); загальна слабкість – 76%; підвищена пітливість – 68%; схильність до закріпів – 84%; біль у поперековому відділі хребта – 36%; порушення менструального циклу – 48%.

За даними анкети «Аналіз Вашого способу життя» з'ясували, що на початку дослідження оцінку «добре» отримали лише 5 жінок ОГ та ГП, що складає 20% від загальної кількості пацієнтів.

Показники ЧСС на початку дослідження (ОГ – $79,5 \pm 1,4$; 5; ГП – $80,5 \pm 1,8$; 4) та ЧД (ОГ – $18,7 \pm 0,4$; 9; ГП – $18,9 \pm 0,4$; 1) знаходилися на верхній межі норми. Результати проведення функціональних дихальних проб Генчі (ОГ – $14,5 \pm 0,3$; 8; ГП – $14,2 \pm 0,4$; 8) та Штанге (ОГ – $30,9 \pm 0,7$; 1; ГП – $29,8 \pm 0,6$; 7) також були знижені і знаходилися на нижній межі норми. Аналіз цих даних свідчить про незадовільний функціональний стан організму жінок з ожирінням I-II ступеню.

Для підвищення ефективності реабілітації хворих в умовах санаторно-курортного лікування була впроваджена КПФР для жінок з ожирінням I-II ступеню ОГ, що передбачала використання таких засобів фізичної реабілітації, як: дієтотерапії, ранкової гімнастики з використанням вправ Бодіфлексу та лікувальної гімнастики, дозованої ходьби з використанням діафрагмального дихання, гідробальнеокінезітерапії з вправами на тренажерах, підводного душу-масажу, таласотерапії. Усі засоби ПФР були органічно вписані в режим дня санаторію «Бердянськ».

Завдання комплексної програми фізичної реабілітації полягало в: зменшенні маси тіла; стимулюванні обміну речовин; активізації окислювально-відновних процесів; збільшенні тонусу основних м'язових груп тулуба і кінцівок, покращенні стану кардіореспіраторної системи та психоемоційного стану; нормалізації адаптаційних можливостей організму; підвищенні загальної працездатності; формуванні навичок правильного харчування та

⁷⁴ Фізичні чинники в медичній реабілітації: підручник для студентів та лікарів / за заг. ред. В. М. Сокрута, В. М. Казакова. Донецьк: Дон НМУ; ДОКТМО. 2008. 576 с.

рухової активності у жінок. Алгоритм проведення реабілітаційних заходів представлений (Табл. 1.).

Таблиця 1. Алгоритм проведення реабілітаційних заходів

Назва заходу	Час проведення
Дієтотерапія	Щоденно
РГГ з вправами Бодіфлекса	Щоденно 7.00 – 7.20
ЛГ	Через день 13.30 – 14.10
Гідробальнеокінезотерапія	Через день 13.30 – 14.10
Гідробальнеотерапія (загальний підводний душ-масаж)	Щоденно 14.15 – 14.50
Таласотерапія (морські купання)	3-4 рази на день 5-25 хв.
Дозована ходьба з контролем діафрагмального дихання (аеротерапія під час ходьби)	20-30 хв. щодня.
Сон	Не менше 8 год.

Головним напрямком комплексної реабілітації жінок з ожирінням була корекція харчової поведінки та стимуляція рухової активності. Для підвищення рухової активності дотримувались раціонального розподілу часу на виконання різних видів фізичних вправ та відпочинок протягом дня.

Дієтотерапія займала одне з провідних місць в ПФР. Дієту рекомендували низькокалорійну, збалансовану, збагачену мінеральними речовинами та вітамінами. Для створення негативного енергетичного балансу в організмі, добову калорійність дієти зменшили в середньому на 500 ккал, що становило 1200-1500 ккал/добу. Жінкам рекомендували в основу частину раціону включати свіжі фрукти, овочі, що сприяє нормалізації обміну речовин⁷⁵. Не рекомендували конкретних меню тому, що кожен пацієнт мав свої індивідуальні смакові звички. Для цього кожній жінці були запропоновані таблиці, в яких була зазначена калорійність, як окремих продуктів, так і різних страв, які пропонували в санаторії. В їдальні був впроваджений шведський стіл, тому жінки мали можливість самостійно вибирати страви за калорійністю та смаком. Збалансованість дієтичного раціону передбачала часте харчування 5-6 разів на день невеликими порціями, що забезпечує адаптацію організму до зниження ваги без погіршення самопочуття та загального стану здоров'я.⁷⁶

Особливу увагу приділяли питному режиму, тому, що вода – доступний і найкращий спосіб збалансувати обмін речовин в організмі. Рекомендували дотримуватися такого питного режиму – вживати чисту воду із розрахунку 33 мл на 1 кг маси тіла, 2/3 норми добового режиму вживати у першій половині дня, а 1/3 – у другій половині дня.

У комплексі з режимом харчування застосовували такі види активної рухової діяльності: ранкову гігієнічну гімнастику, лікувальну гімнастику, гідробальнеокінезітерапію та дозовану ходьбу.

Ранкову гігієнічну гімнастику проводили кожного дня на березі моря з 7.00 до 7.20., що передбачало послідовне виконання вправ: для м'язів шиї та плечового поясу, що впливало на покращення кровообігу кори головного мозку та зміцнення м'язів комірцевої ділянки; для м'язів тулуба, що збільшувало амплітуду рухів у суглобах хребта, підвищувало екскурсію грудної клітки та діафрагми; для м'язів нижніх кінцівок, що нормалізувало тонус привідних та відвідних м'язів стегна, згиначів та розгиначів стегна і гомілки, стимулювало кровообіг, лімфотік та трофіку тканин; для м'язів черевного пресу та малого тазу, що стимулювало

⁷⁵ Нутріціологія: навч. посібник / Н. В. Дуденко [та ін]; під заг. ред. Н. В. Дуденко. Харків, Світ Книг, 2013. 560 с.

⁷⁶ Манська К. Г. Особливості харчової поведінки у молодих жінок з первинним ожирінням / К. Г. Манська // Проблеми ендокринної патології. 2014. № 3, с. 54-59.

функцію внутрішніх органів та сечовивідної системи. Використання в комплексі РГГ вправ з потягуванням верхніми кінцівками в гору, нахилами тулуба в сторони, маховими рухами кінцівками та підскоками покращувало еластичність зв'язочно-суглобового апарату, пружність м'язів склепінь стопи та їх амортизаційну функцію. Застосовували вправи, спрямовані на релаксацію м'язів, зменшення частоти дихання, що в свою чергу, сприяло нормалізації процесів збудження і гальмування в ЦНС, сприяло формуванню стану психічної та фізичної рівноваги.⁷⁷

В комплекс РГГ були включені вправи за методикою Бодіфлекс: поза «Лева» і «Потворна гримаса» для покращення еластичності м'язів шиї та обличчя. Включення їх в комплекс вправ РГГ доцільно саме тому, що вони формують правильний стеріотипдіафрагмального дихання, покращують газообмін в бронхах, підвищують тонус мімічних м'язів.⁷⁸

Загальний принцип побудови комплексу РГГ полягав у використанні розсіяного принципу навантаження на основні м'язові групи тулуба і кінцівок, що в свою чергу активно впливали на роботу внутрішніх органів.

Враховуючи, що ранкову гімнастику проводили щодня вранці, фізичне навантаження було малої інтенсивності: вправи були прості, кожен з них повторювали 5-6 разів, їх виконували у середньому темпі, поступово збільшуючи амплітуду рухів, статичне навантаження зводилося до мінімуму.

Під час виконання вправ звертали особливу увагу на правильне дихання через ніс та співдружність рухів і дихання. Під час рухів верхніми кінцівками вгору і в сторону та нахилу тулуба назад, пацієнти виконували вдих. Під час рухів верхніми кінцівками вниз і перед собою та нахилу тулуба вперед, пацієнти виконували видих. Тривалість проведення РГГ становила 20 хв.

Лікувальна гімнастика. Заняття ЛГ проводили через день і чергували з гідробальнеокінезіотерапією. Враховуючи основний діагноз жінок, був розроблений комплекс який включав різні види гімнастичних вправ, кардіонавантаження на велоергометрі та спеціальні вправи на тренажерах блочного типу.

В підготовчій частині заняття жінки виконували ходьбу з високим підніманням стегна, що збільшувало тонус м'язів черевного пресу. Повороти та нахили в шийному відділі хребта, для покращення кровообігу кори головного мозку. Ці вправи чергували з динамічними дихальними вправами з підніманням рук вгору. У подальшому включали колові рухи надпліччями, згинання та розгинання верхніх кінцівок в плечових та ліктьових суглобах, махові рухи, та нахили тулуба. Ці вправи сприяли підготовці організму до більш інтенсивного навантаження в основній частині заняття.

В основній частині чергували вправи на тренажерах блочного типу (Тіло) з статичними дихальними вправами та вправами на релаксацію. Враховуючи, що у жінок з ожирінням був зменшений тонус м'язів живота, сідниць, спини, плечового поясу та верхніх кінцівок, в комплекс включали вправи на тренажерах для цих м'язових груп. Для підвищення тону грудних м'язів пацієнт у в. п. сидячи на багатофункціональному тренажері (Тіло), утримував долонями його бокові ручки і приводив їх до грудей.

Для розвитку грудних м'язів пацієнт виконував іншу вправу, у в. п. лежачи на горизонтальній лаві тренажера він утримував бокові ручки, на які кріпилися блини штанги і зводив їх перед собою. Для підвищення тону трицепсу пацієнт у в. п. сидячи, також утримував ручки багатофункціонального тренажера перед собою і розгинав верхні кінцівки вперед. Для збільшення сили широкого, ромбоподібного та трапецієподібного м'язів спини

⁷⁷ Епифанов В. А. Лечебная физическая культура: [справочник] / В. А. Епифанов. М: Медицина, 2004. 592 с.

⁷⁸ Чайдерс Г. Великолепная фигура за 15 минут в день / Г. Чайдерс. 5-е издание. Мн: Попурри, 2010. 208 с.

пацієнт у в. п. сидячи утримував горизонтально розташований важиль за ручки з обох боків і виконував тягу до грудей. В кінці вправи він продовжував утримувати важиль тренажера розслабляючи верхні кінцівки, що призводило до тракції хребта. Для підвищення тонусу біцепсу, пацієнт сидячи на гімнастичній лаві утримував гриф невеликої штанги, або гантелі і згинав верхні кінцівки у ліктьових суглобах. Спина під час виконання вправи була рівною. Для м'язів черевного пресу пацієнт виконував вправи на похилій площині тренажера. У в. п. напівлежачи він тримався долонями за ручки тренажера і піднімав зігнуті нижні кінцівки. Дану вправу чергували з статичними дихальними вправами: діафрагмальним, нижньогрудним та грудним типами дихання.

Також виконували вправи на розвиток чотириголового м'яза стегна. З цією метою пацієнт сидячи на тренажері з зігнутими нижніми кінцівками, впираючись стопами у поролонові валики, розгинав ноги у колінних суглобах піднімаючи важилі з блинами.

В комплекс вправ ЛГ також було включено оптимальне кардіонавантаження. Пацієнти виконували на протязі 1-1,5 хв. вправи на велоергометрі або тредмілі, що позитивно впливало на функцію серцево-судинної системи та тонус кінцівок. Вправи на тренажерах чергували з статичними та динамічними дихальними вправами та вправами на релаксацію. Для релаксації м'язів та відновлення ритму дихання, після кожної силової вправи пацієнти виконували одну з вправ на релаксацію: махові рухи верхніми кінцівками у фронтальній та сагітальній площинах з неповною амплітудою, вільне падіння всієї кінцівки або її сегментів та потряхування кінцівками.

Заняття проводили малогруповим методом (2-5 пацієнтів). Дозування підбирали індивідуально, враховуючи: стан м'язової та кардіореспіраційної системи, фізичну працездатність, реакцію організму на силові навантаження тощо. Кожну вправу жінки виконували 6-8 разів, вага обтяження складала 25-30% від максимальної. В процесі заняття пацієнти перевіряли ЧСС, підраховуючи його за 6 с і помножуючи на 10. Пасивний відпочинок після кожної вправи тривав 1 хв.-2 хв.

Гідробальнеокінезіотерапія. Заняття з гідробальнеокінезіотерапії проводили в басейні з мінеральною йодо-бромною водою через день. Склад води сприяв активізації обміну речовин, покращував капілярний кровообіг, нормалізував швидкість кровотоку та судинний тонус, знижував артеріальний тиск, нормалізував функцію ендокринних залоз.⁷⁰

В басейні були встановлені тренажери на розвиток основних м'язових груп тулуба і кінцівок. В стінку басейна вмонтовані прилади для проведення струйного масажу для м'язів шиї та попереку.

Завдання гідробальнеокінезіотерапії: розвиток основних м'язових груп тулуба і кінцівок, зменшення статичного навантаження на хребетний стовп та його тракція, активізація обміну речовин та метаболізму в тканинах, зменшення маси тіла, покращання психоемоційного стану.

Пацієнти заходили в басейн з йодо-бромною мінеральною водою де рівень води доходив до грудей. Тренажери були розміщені по периметру басейна. Пацієнти спочатку підходили до струйного масажу и отримували гідромасаж підставляючи під струю поперековий відділ хребта на 2-3 хв. Потім переходили до тренажера блочного типу і у в. п. сидячи виконували відведення і приведення стегон з подоланням опору. Пацієнти переходили до іншого тренажера на розвиток м'язів нижніх кінцівок. У в. п. сидячи пацієнти згинали і розгинали нижні кінцівки з подоланням опору. У подальшому переходили до попереки, на якій виконували вис для тракції хребта. Завдяки цій вправі значно зменшували статичне навантаження на хребет, що відбувалося у зв'язку зі значною вагою тіла. На попереку також можна було згинати, розгинати руки для розвитку сили м'язів верхніх кінцівок, але цю складну вправу було виконувати легше ніж на повітрі. Підходили до підводного струйного масажу м'язів комірцевої ділянки, підставляючи їх під струю

мінеральної води. Надалі виконували вправи на тренажері для розвитку м'язів верхніх кінцівок та спини. У в. п. стоячи пацієнти проводили відведення і приведення рук з подоланням опору, що покращувало тонус широкого м'яза спини, великого круглого, великого грудного та передніх пучків дельтоподібного м'яза.

Кожну вправу на тренажерах жінки виконували 12-15 разів в залежності від розвитку основних м'язових груп тулуба і кінцівок, з оптимальною для себе амплітудою. Після кожного підходу був час для пасивного відпочинку у водному середовищі басейна з релаксацією всього м'язового корсета.

В заключній частині заняття пацієнти одягали на шию спеціальний круг, заходили у відсік з більшою глибиною занурювання і виконували тракцію хребта за рахунок ваги свого тіла. В цьому положенні жінки перебували 4-5 хв. Дана вправа сприяла релаксації м'язів паравертебральної ділянки (м'язів, що випрямляють хребетний стовп, трапецієподібного м'яза, ремінних м'язів голови та шиї, поперечно-остистих м'язів тощо).

Усі вправи комплексу пацієнти виконували по черзі, один за другим переходячи з одного тренажера на інший по звуковому сигналу, під час якого включалася червона лампа.

Загальний підводний душ масаж пацієнти отримували кожного дня. Завданням цієї процедури було: зменшення маси тіла та формування пропорційних розмірів тіла, зменшення кількості жирової тканини (целюліту), стимулювання обміну речовин та процесів метаболізму, покращення крово- та лімфообігу, відновлення водного балансу в тканинах.

Процедуру проводили в гідромасажній ванні з йодобромною водою температурою +36-37°C. Масаж починали після 5-хвилинної адаптації пацієнта до температурного режиму води. Проводили процедуру, враховуючи загальні правила масажу. Інтенсивність, вектор спрямування струменя, температура та тиск води (від 1 до 3-4 атм.) регулювали залежно від зони впливу. На животі силу тиску зменшували 1-2 атм. Процедура тривала 15-35 хв. На курс 10-15 процедур

Таласотерапія (морські купання на відкритому повітрі). Завданнями таласотерапії було: тренування нервово-гуморальних, серцево-судинних та інших механізмів терморегуляції, активізація обміну речовин та метаболізму в тканинах, стимуляція функції дихальної системи, підвищення життєвого тону та загальної витривалості, загартування організму, зменшення статичного навантаження на хребетний стовп. Купання в морській воді проводили щодня по 3-4 рази, температура води вище +18°C, курсом 10-15 днів. Поступово збільшували тривалість процедури від 5 до 25 хв. Пацієнтки під час плавання стилем «брас» намагалися збільшити тривалість фази ковзання після відштовхування верхніми та нижніми кінцівками. Даний спосіб ефективно зменшував статичне навантаження на хребет. Також використовували стиль «кроль на спині», що збільшувало фізичне навантаження на м'язи верхніх та нижніх кінцівок і сприяло активізації енерговитрат організму⁷⁹.

Дозована ходьба. Жінки кожного вечора виконувати дозовану ходьбу в повільному темпі (60-80 кроків за 1 хв.) по узбережжю моря. Дистанція ходьби поступово збільшувалася з 1 км. до 3 км. Під час ходьби пацієнтам рекомендували дихати діафрагмальним типом дихання. У подальшому вони під час ходьби намагалися виконувати цей тип дихання спочатку на протязі 5 хв. і поступово збільшували час його виконання.

Аеротерапію під час дозованої ходьби отримували кожного дня, з метою підвищення оксигенації, нормалізації обміну речовин, відновлення функціонального стану організму, адаптації кардіореспіраторної системи до фізичних навантажень, нормалізації моторної і секреторної функцій органів травлення, поліпшення психоемоційного стану.⁷²

⁷⁹ Ежов В. В. Физиотерапия для врачей общей практики. Руководство для врачей / В. В. Ежов, Ю. И. Андрияшик. Симферополь-Ялта. 2005. 400 с.

Сон. Для накопичення життєвої енергії, пропонували жінкам підлаштовувати біоритми свого організму до природних біоритмів. Тривалість сну пропонували збільшувати до 8 год.

В результаті впровадження комплексної програми фізичної реабілітації мали позитивні результати. Повторне обстеження в обох групах проводилось через три неділі від початку дослідження.

Порівнюючи дані антропометричного дослідження, з'ясували, що: маса тіла зменшилась на 1,5%; ОГК – 1,1%; ОТ – 1,6 см; окружність стегон – 1,1 см. відносно групи порівняння.

Аналіз результатів кардіореспіраторної системи, показав, що в ОГ на відміну від ГП ЧСС зменшилась на 1,7 уд/хв (1,4%) (Табл. 2).

Показники ЧД у пацієнтів ОГ в кінці дослідження зменшилась на 1 дих. акт./хв., що дорівнює 5,3%. У пацієнтів ГП також відбулося покращення цього показника, але на 0,8 дих. акт./хв., що становить 4,2%. Таким чином динаміки частоти дихання у жінок ОГ була краще ніж у жінок ГП на 1,1%.

Середній показник систолічного артеріального тиску на початку дослідження у пацієнтів ОГ становив 128,9 мм. рт. ст. в кінці дослідження – 122,8 мм. рт. ст., що свідчить про покращення даного показника на 4,3%

Середній показник діастолічного артеріального тиску у пацієнтів ОГ покращився на 2,3%, а в ГП на 1,4%, що вказує на різницю динаміки покращення показника діастолічного артеріального тиску на 1,9% у жінок ОГ.

Таблиця 2. Динаміка показників кардіореспіраторної системи

Показники	ОГ			ГП		
	На початку дослідження	В кінці дослідження	Різниця показників %	На початку дослідження	В кінці дослідження	Різниця показників %
ЧСС (уд./хв.)	79,5±1,45	76,8±1,94	3,4	80,5±1,84	78,9±1,54	2
ЧД (дих. акт./хв.)	18,7±0,49	17,7±1,59	5,3	18,9±0,41	18,1±1,36	4,2
АТ с. (мм. рт. ст)	128,9±2,38	122,8±2,35	4,3	126,2±2,31	123,5±2,37	2,1
АТ д. (мм. рт. ст)	83,8±2,32	81,9±2,64	2,3	86,1±1,35	84,9±1,38	1,4

Аналіз результатів функціональної дихальної проби Штанге показав, що динаміка показників проби Штанге у жінок ОГ була краще ніж у жінок ГП на 2,7% (Рис. 1).

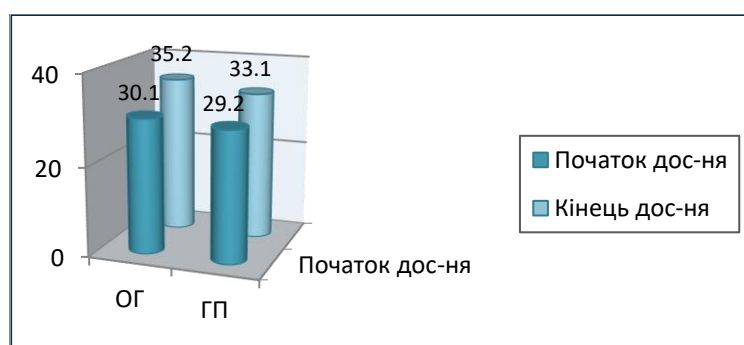


Рис. 1. Динаміка показників проби Штанге

Різниця показників функціональної дихальної проби Генчі на початку і вкінці дослідження у жінок ОГ склала 3,7 с (20,7%). У пацієнтів ГП – 1,8 с (11,3%). Відповідно показники загальної динаміки функціональної дихальної проби Генчі у жінок ОГ була кращою на 9,4% (Рис. 2).

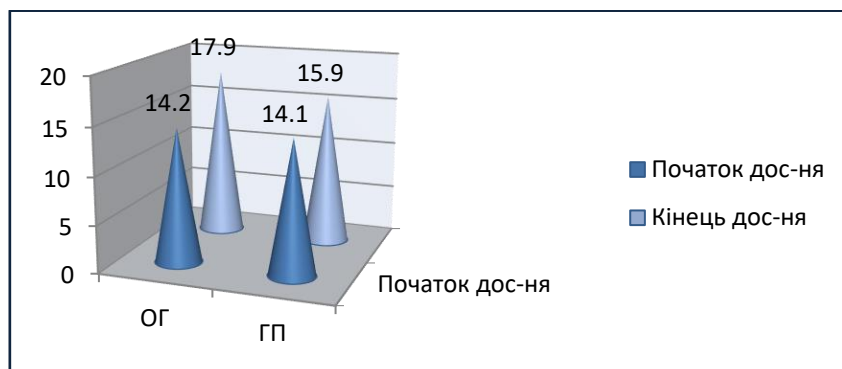


Рис. 2. Динаміка показників проби Генчі

Аналізуючи показники динаміки збільшення ЕГК було виявлено, що у пацієнтів ОГ цей показник збільшився до 5,66 см, що склало 22,6%. У жінок ГП – показник збільшився до 4,87 см, що становить 12,9%. Це свідчить, що динаміка покращення показників ЕГК у жінок ОГ була краще ніж у пацієнтів ГП на 9,7%.

За даними анкети «Аналіз Вашого способу життя» з'ясували, що в кінці дослідження в ОГ оцінку «відмінно» мали дві жінки, тобто 15,4% оцінка «добре» збільшилась на 39,4%, оцінка «задовільно» зменшилась на 38,4%, оцінка «незадовільно» не фіксувалась. Різниця показників покращення способу життя у жінок ОГ була кращою ніж у жінок ГП на 28,8%.

Результати проведених досліджень дають підставу стверджувати, що причинами розвитку ожиріння є спадкова схильність, часті стреси, малорухливий спосіб життя, переїдання та зміни характеру харчування.

При первинному обстеженні антропометричні дані (маса тіла, індекс маси тіла, окружності талії, стегон) та їх аналіз свідчать про наявність у жінок ожиріння I-II ступеня.

З метою стимуляції обміну речовин, збільшення енерговитрат, зменшення маси тіла та об'ємів через покращення окислювально-відновних процесів, функціонального стану серцево-судинної системи, розроблена програма фізичної реабілітації, яка включала дієтотерапію, ранкову гімнастику з використанням вправ Бодіфлексу та лікувальної гімнастики, дозованої ходьби з використанням діафрагмального дихання, гідробальнеокінезіотерапії з вправами на тренажерах, підводного душу-масажу, таласотерапії.

Раціональне поєднання засобів фізичної реабілітації в ОГ привело до зниження маси тіла та об'ємів, покращенню функціонального стану серцево-судинної та дихальної систем відносно ГП.

Література:

1. Аметов А. С. Ожирение, фактор ухудшающий прогноз и качество жизни пациентов с сахарным диабетом 2-го типа / А. С. Аметов, Е. В. Доскина, М. Ш. Абаева, П. К. Нажмутдинова // Медико-социальная экспертиза и реабилитация. 2014. № 3. С. 48-52.
2. Rossner S. Obesity: The disease of the twenty-first century: Abbott European Obesity Symposium «The Metabolic Challenge of Obesity: Impact of Weight Management on Improvement of Metabolic Risk Factors», Prague, Apr., 13, 2011. / S. Rossner // Int. J. Obesity. – 2011. – Vol. 4, Is. 26. – P. 12-34.

3. Манська К. Г. Особливості харчової поведінки у молодих жінок з первинним ожирінням / К. Г. Манська // Проблеми ендокринної патології. 2014. № 3. С. 54-59.
4. Старкова Т. Н. Клиническая эндокринология: Руководство для врачей / Т. Н. Старкова. М: Медицина, 2010. 512 с.
5. Фізичні чинники в медичній реабілітації: підручник для студентів та лікарів / за заг. ред. В. М. Сокрута, В. М. Казакова. Донецьк: Дон НМУ; ДОКТМО. 2008. 576 с.
6. Попов С. Н. Физическая реабилитация: учебник для академий и институтов физической культуры / С. Н. Попов. Ростов-на-Дону: Феникс, 1999. 280 с.
7. Мухін В. М. Фізична реабілітація / В. М. Мухін. К.: Олімпійська література, 2000. 423 с.
8. Фізична реабілітація, спортивна медицина: підручник для студентів вищих мед. навч. закл. / В. В. Абрамов, В. В. Клапчук, О. Б. Неханевич [та ін.]; за ред. професора В. В. Абрамова та доцента О. Л. Смирнової. Дніпропетровськ, Журфонд, 2014. 455 с.
9. Нутріціологія: навч. посібник / Н. В. Дуденко [та ін.]; під заг. ред. Н. В. Дуденко. Харьков, Світ Книг, 2013. 560 с.
10. Лікувальна фізкультура в санаторно-курортних закладах. За ред. Л. І. Фісенко. К: Вид «Купріянова», 2005. 400 с.
11. Епифанов В. А. Лечебная физическая культура: [справочник] / В. А. Епифанов. М: Медицина, 2004. 592 с.
12. Епифанов В. А. Восстановительная медицина: ученик / В. А. Епифанов. М: ГЭОТАР-Медиа, 2013. 298 с.
13. Чайдерс Г. Великолепная фигура за 15 минут в день / Г. Чайдерс. 5-е издание. Мн: Попурри, 2010. 208 с.
14. Exercise and Weight Loss: No Sex Differences in Body Weight Response to Exercise / Phillipa Caudwell, Catherine Gibbons, Graham Finlayson [et al.] // Exercise & Sport Sciences Reviews. 2014. Vol. 42 (3). P. 92-101.
15. Хоули Э. Т. Руководство инструктора оздоровительного фитнеса / Э. Т. Хоули. Київ: Олімп. л-ра, 2004. 375 с.
16. Ежов В. В. Гидрокинезотерапия / В. В. Ежов. Симферополь, ЧП «Илино», 2005. 156 с.
17. Ежов В. В. Физиотерапия для врачей общей практики. Руководство для врачей / В. В. Ежов, Ю. И. Андрияшик. Симферополь-Ялта. 2005. 400 с.
18. Булат Л. М. Клінічна фізіотерапія і курортологія / П. С. Мельник. Вінниця, 1999. 215 с.
19. Самосюк И. З. Физиотерапия, физиопунктура и бальнеолечение гастроэнтерологических и некоторых сопутствующих заболеваний (сердечно-сосудистых, сахарного диабета, ожирения и др.) / И. З. Самосюк, В. М. Мавродий, Л. И. Фисенко. Киев: АО «УКРПРОФЗДРАВНИЦА», 1998. 335 с.

1.8. The peculiarities of using the plot classes with children simulators in the complex rehabilitation of children after bronchitis

1.8. Особливості використання сюжетних занять з дитячими тренажерами в комплексній реабілітації дітей після бронхіту

У наш час серед захворювань у дітей патологія респіраторної системи займає одне з перших місць. У 25-31% дітей перебіг гострої респіраторної вірусної інфекції (ГРВІ) супроводжується клінікою обструктивного бронхіту, який в 30-50% випадків приймає затяжний, хвилеподібний або рецидивуючий перебіг.⁸⁰

На фоні ГРВІ у значної кількості дітей дошкільного віку (54%) можливі повторні загострення бронхіту, які у майбутньому не супроводжуються розвитком бронхіальної астми. З віком частота їх зменшується. Повторні епізоди гострого обструктивного бронхіту, обумовлені гіперреактивністю бронхів, внаслідок ГРВІ, і зазвичай зникають у віці 3-4 років.⁸¹

Але часті захворювання респіраторної системи можуть сприяти формуванню хронічної бронхо-легеневої патології та бути передумовою бронхіальної астми. Саме тому діти, які вперше захворіли на бронхіт, потребують ретельного вивчення анамнезу захворювання та особливостей клінічного перебігу бронхіту⁸².

На думку провідних вітчизняних і зарубіжних вчених, показники захворюваності в значній мірі пов'язані з послабленням функції зовнішнього дихання та недостатнім дренажем бронхо-легеневої системи, із слабкістю дихальних м'язів та м'язів грудної клітки, які в свою чергу зменшують екскурсію грудної клітки і сприяють накопиченню умовно патогенної флори та зниженню локального імунітету⁸³. У зв'язку з тим, що зростає дефіцит рухової активності, боротьба з гіпокінезією у дітей, є одним з найважливіших чинників профілактики та лікування бронхо-легеневих захворювань^{84, 85, 86}.

На сьогодні розроблено низку методик лікувальної фізкультури для дітей з патологією дихальної системи: С. В. Хрущова, синкретична методика М. Л. Лазарева^{87, 88}.

Існують авторські методики: парадоксальної дихальної гімнастики О. М. Стрельникової⁸⁹, вольової ліквідації глибокого дихання К. П. Бутейко⁹⁰, ридуючого

⁸⁰ Зенін О. К. Фізична реабілітація при хронічному обструктивному бронхіті / О. К. Зенін, В. В. Потапов, Є. В. Жданов // Вісник Чернігівського національного педагогічного університету. 2014. Вип. 118 (3). С. 126-129. Серія: Педагогічні науки. Фізичне виховання та спорт.

⁸¹ Коваленко Т. С. Клінічна характеристика дітей раннього віку, хворих на гострий обструктивний бронхіт / Т. С. Коваленко // Український медичний альманах. 2012. Т. 15. № 6. С. 79-83.

⁸² Потапчук А. А. Лечебная физическая культура в детском возрасте / А. А. Потапчук, С. В. Матвеев, М. Д. Дидур. – СПб: «Речь», 2007. – 243 с.

⁸³ Хрущев С. В. Физическая культура детей с заболеваниями органов дыхания: учеб. пособие для студ. выс. учеб. заведений / С. В. Хрущев, О. И. Симонова. – М.: Издательский центр «Академия», 2006. – 304 с.

⁸⁴ Зенін О. К. Фізична реабілітація при хронічному обструктивному бронхіті / О. К. Зенін, В. В. Потапов, Є. В. Жданов // Вісник Чернігівського національного педагогічного університету. 2014. Вип. 118 (3). С. 126-129. Серія: Педагогічні науки. Фізичне виховання та спорт.

⁸⁵ Єрьоміна О. Л. Лікувальна фізична культура: навч.-метод. посіб. для прак. занять студ. мед. факультету / О. Л. Єрьоміна, Л. І. Котова. – Полтава: Універс. книга, 2005. – 88 с.

⁸⁶ Толкачев Б. С. Физкультурный заклон ОРЗ / Б. С. Толкачев. М.: Физкультура и спорт, 1988. – 159 с.

⁸⁷ Хрущев С. В. Физическая культура детей с заболеваниями органов дыхания: учеб. пособие для студ. выс. учеб. заведений / С. В. Хрущев, О. И. Симонова. М.: Издательский центр «Академия», 2006. 304 с.

⁸⁸ Толкачев Б. С. Физкультурный заклон ОРЗ / Б. С. Толкачев. М.: Физкультура и спорт, 1988. – 159 с.

⁸⁹ Щетинин М. Н. Дыхательная гимнастика А. Н. Стрельниковой. М. Н. Щетинин. М.: Метафора, 2002. 128 с.

⁹⁰ Колобов Ф. Г. Дыхание по Бутейко / Ф. Г. Колобов. М.: АСТ; Донецк: Сталкер, 2007. 120 с.

дихання Ю. Г. Вилунаса⁹¹, дихальних вправ В. К. Дуриманова⁹², довільного керування диханням в стані спокою та під час виконання фізичних вправ у дітей з бронхіальною астмою М. Л. Свежинцевої⁹³.

Аналіз науково-методичної літератури показав, що проведення ігор за казковим сюжетом з використанням імітаційних вправ дозволяє часто змінювати фізичні вправи в залежності від мети та спрямованості, що підтримує інтерес до заняття і дає можливість оптимально дозувати фізичне і психоемоційне навантаження^{94, 95, 96}.

М. М. Єфименко наголошують, що у зв'язку з недостатньою мотивацією дітей систематично виконувати спеціальні гімнастичні вправи корекційної спрямованості, доцільно кожне заняття перетворити на своєрідну фізкультурну казку, яка б подобалася своїм сюжетом і заохочувала дітей до активної рухової діяльності⁹⁷.

А. А. Потапчук, Г. Г. Провознюк, О. О. Степанова, М. Є. Вайнер наголошують, що проведення ігрових фізкультурних занять приносить дітям радість і є ефективним оздоровчо-корекційним засобом, який використовують в процесі фізичного виховання дітей для відновлення функцій ОРА, розвитку рухових якостей та покращання психоемоційного стану^{98, 99, 100}.

В свій час А. С. Макаренка та В. О. Сухомлинський зазначали, що дитяча радість притаманна ігровій діяльності, є потужним стимулом формування естетичних, моральних та фізичних якостей людини¹⁰¹.

Ю. М. Корж для активізації кардіореспіраторної системи та мотивації дітей до систематичних занять спеціальними коригуючими вправами, рекомендує використовувати засоби авторської оздоровчо-корекційної технології «Богатир».

Дана технологія має комплексну багатофункціональну структуру, в основі якої лежить 4 базових блоки, що включають більше 250 різних видів гімнастичних вправ з спеціальними запатентованими дитячими тренажерами і посібниками.

⁹¹ Аксенова А. А. Рыдающее дыхание. Лечим болезни за месяц / А. А. Аксенова. Х.: Виват, 2015. 256 с.

⁹² Хрущев С. В. Физическая культура детей с заболеваниями органов дыхания: учеб. пособие для студ. выс. учеб. заведений / С. В. Хрущев, О. И. Симонова. М.: Издательский центр «Академия», 2006. 304 с.

⁹³ Хрущев С. В. Физическая культура детей с заболеваниями органов дыхания: учеб. пособие для студ. выс. учеб. заведений / С. В. Хрущев, О. И. Симонова. М.: Издательский центр «Академия», 2006. 304 с.

⁹⁴ Єфименко Н. Н. Материали к оригинальной авторской программе «Театр физического воспитания и оздоровления детей дошкольного и младшего школьного возраста» / Н. Н. Єфименко. М.: ЛИНКА-ПРЕСС, 1999. 256 с.

⁹⁵ Провознюк Г. Г. Гра і здоров'я: методичний посібник з питань організації фізкультурної та оздоровчої роботи з дітьми дошкільного і молодшого шкільного віку / Г. Г. Провознюк. Тернопіль: Мальва-ОСО, 2005. 144 с.

⁹⁶ Степанова О. А. Методика игры с коррекционно-развивающими технологиями: учебное пособие для студентов средних педагогических учебных заведений / О. А. Степанова, М. Э. Вайнер, Н. Я. Чутко; под ред. Г. Ф. Кумариной. – М.: Академия, 2003. – 272 с.

⁹⁷ Єфименко Н. Н. Материали к оригинальной авторской программе «Театр физического воспитания и оздоровления детей дошкольного и младшего школьного возраста» / Н. Н. Єфименко. М.: ЛИНКА-ПРЕСС, 1999. 256 с.

⁹⁸ Потапчук А. А. Лечебная физическая культура в детском возрасте / А. А. Потапчук, С. В. Матвеев, М. Д. Дидур. СПб: «Речь», 2007. – 243 с.

⁹⁹ Провознюк Г. Г. Гра і здоров'я: методичний посібник з питань організації фізкультурної та оздоровчої роботи з дітьми дошкільного і молодшого шкільного віку / Г. Г. Провознюк. Тернопіль: Мальва-ОСО, 2005. 144 с.

¹⁰⁰ Корж Ю. М. Експериментальна авторська методика оздоровчо-корекційної гімнастики «Богатир» для дітей дошкільного віку з порушеннями функцій опорно-рухового апарату: навчальний посібник / Ю. М. Корж. – Суми: СумДПУ ім. А. С. Макаренка, 2012. 170 с.

¹⁰¹ Макаренко А. С. Педагогические сочинения: в 8 т. Т. 1. / А. С. Макаренко; [сост.: Л. Ю. Гордин, А. А. Фролов; ред. кол. В. М. Коротов, С. В. Михалков, В. С. Хелемендик; под ред.: М. И. Кондакова]. – М.: Педагогика, 1983. 368 с.

До I базового блоку входить комплекс ігрових імітаційних вправ «Гімнастика тигрят» з поролоновими «тигрячими лапами» для розвитку рухових якостей за рахунок вправ з плесканням та упором долонями в опору під час різних видів рухів.

II блок налічує 5 комплексів силових вправ, три (№ 2, 3, 4) з казково-ігровими дитячими гантелями «Їжачок», «Котик» та «Божа корівка», які одягаються на долоні під час проведення занять за казковим сюжетом і надають можливість підбирати різні види рухів для ослаблених м'язів.

Враховуючи, що однією з основних причин порушень ОРА є асиметричний розвиток м'язів тулуба і кінцівок, в II блок входить 2 спеціальних комплекси силових вправ для м'язів антогоністів, № 5 – для розгиначів і відвідних м'язів тулуба і кінцівок із гумово-поролоновими еспандерами серії «Лук» і поролоновим тренажером «Силач» та комплекс № 6 – для розвитку згиначів та привідних м'язів кінцівок із поролоновими тренажерами «Гармошка», «Клин», «Педаля».

III блок «Потоваришуй із черепашкою», включає комплекс коригуючих вправ спрямованих на формування стереотипу правильної постави з казково-ігровим посібником «Черепашка», який діти утримують на голові.

У IV блок входять різні види дихальних вправи (статичні динамічні, дренажні та звукові) з використанням дитячих тренажерів та посібників, що органічно вписані в інші комплекси вправ.

Використання засобів оздоровчо-корекційної технології «Богатир» сприяє:

- покращенню функціонального стану кардіо-респіраторної системи;
- гармонійному розвитку рухових якостей, особливо сили і силової витривалості основних м'язових груп тулуба, від яких залежить форма фізіологічних вигинів хребта та екскурсія грудної клітки;
- формуванню стереотипу правильної постави та правильного дихання через ніс;
- мотивації дітей до систематичного виконання різних видів оздоровчо-коригуючих гімнастичних вправ.¹⁰²

Актуальність проблеми комплексної реабілітації дітей хворих на бронхіт зумовлена поширеністю даної патології, можливими негативними наслідками для здоров'я дитини у подальшому житті. Це висуває низку завдань, пов'язаних з визначенням заходів фізичної реабілітації та оздоровлення для ефективного вирішення найважливіших медико-соціальних проблем, характерних для дітей даної вікової групи. Незважаючи на наявність засобів і методик які використовують в процесі реабілітації дітей з захворюванням органів дихання, на нашу думку залишається недостатньо розкритою проблема мотивації дітей до систематичних занять спеціальними оздоровчо-лікувальними вправами та комплексного застосування в процесі реабілітації засобів арттерапії, ароматерапії, рефлексотерапії та ігрових сюжетних занять з спеціальними дитячими тренажерами та посібниками.

Дослідження проводилось з вересня 2018 р. по січень 2019 р. на базі КУ «Сумська загальноосвітня школа № 15 ім. Д. Турбіна» м. Суми. У дослідженні прийняли участь 23 дитини які перенесли рецидивуючим бронхіт. В основну групу (ОГ) входило 13 дітей молодшого шкільного віку, а в групу порівняння (ГП) – 10 дітей з даним діагнозом.

Діти ОГ займалися по розробленій комплексній програмі, що складалася з форм та засобів фізичної реабілітації які проводилися під час занять в школі та в домашніх умовах. В умовах школи використовували наступні засоби фізичної реабілітації: заняття з лікувальної гімнастики за казковим сюжетом з гумово-поролоновими тренажерами і посібниками,

¹⁰² Степанова О. А. Методика игры с коррекционно-развивающими технологиями: учебное пособие для студентов средних педагогических учебных заведений / О. А. Степанова, М. Э. Вайнер, Н. Я. Чутко; под ред. Г. Ф. Кумариной. – М.: Академия, 2003. – 272 с.

ароматерапію, арт-терапію (імаготерапію та музикотерапію), комплекси спеціальних вправ під час фізкультхвилинок та фізкультпауз. В домашніх умовах діти дотримувалися раціональної харчування, виконували самомасаж рефлекторних ділянок легень на долонях за методикою Су-Джок терапії та вправи парадоксальної дихальної гімнастики О. М. Стрельнікової.

Діти ГП займалися за стандартною програмою фізичного виховання в яку входили заняття фізкультурою в спеціальній медичній групі.

Основними завданнями програми комплексної фізичної реабілітації було: покращення функції кардіореспіраторної системи; відновлення правильного механізму зовнішнього дихання через ніс; розвиток основних м'язових груп тулуба і кінцівок; стимуляція трофіки, крово- та лімфообігу в легенях з метою ліквідації запального процесу; розвиток компенсаторних реакцій апарату зовнішнього дихання з метою їх адаптації до побутових навантажень.

Програма лікувальної гімнастики (ЛГ) включала три комплекси сюжетних занять «Пригоди левенят у лісі», «Грайливі ведмежата» та «Подорож до чарівної Африки», які проводили під музичний супровід через день, тривалістю 35 хв.

Під час занять ЛГ використовували ароматерапію у вигляді інгаляцій з ефірними маслами лимону та чайного дерева у співвідношенні 1:1, які застосовували за допомогою аромалампи тривалістю 20 хв. Методика процедури полягала у проведенні проби на алергічну реакцію і застосуванні 1-2 крапель суміші ефірних олій на 5 кв. м.¹⁰³

На початку заняття ЛГ включали імаготерапію у вигляді лялькотерапії, що сприяло мотивації дітей до систематичних занять спеціальними дихальними та силовими вправами.

Комплекси сюжетних занять з використанням дихальних і силових коригуючих вправ із спеціальними дитячими тренажерами під музичний супровід мали на меті: підвищення функції кардіореспіраторної системи, розвиток силової витривалості основних м'язових груп тулуба і кінцівок, покращення екскурсії грудної клітки та психоемоційного стану, відновлення симетричного м'язового тонусу з обох боків тулубу.

При проведенні сюжетного заняття ЛГ «Пригоди левенят у лісі», діти під музичний супровід «співи пташок», заходили до зали і сідали на «галявині». Реабілітолог читав вірш про лева і знайомив дітей з ляльками «левеням Лукасом» та «котиком Муркотиком», які пішли подорожувати до лісу. Було показано міні-виставу, як друзі, левенятко і котик долали всі труднощі які зустрічалися на їх шляху, тому що були спритними, сильними, сміливими і мали багато друзів у лісі. Але котик заблукав, а левеня допомагало йому знайти дорогу додому.

Після міні вистави діти перетворювалися на левенят, надягаючи на долоні поролонові «лапки» і вирушали в подорож до лісу. Там вони: проходили на пальцях через галявину з «колючками»; стрибали через горбочки з високим підніманням стегна; навприсиді та у колінно-долонному положенні проходили через печеру де живуть гноми; перепливли озеро, імітуючи плавання способом «брас» лежачи на животі; грали на чарівній гармошці (стискаючи тренажер «Гармошка» перед грудьми, за спиною і за головою) розвиваючи силу м'язів (Рис. 1); виконували динамічні дихальні вправи потягуючись руками вгору до зеленого листя дерев; ходили в упорі лежачи позаду, гріючи животики на сонці; з казково-ігровим посібником «Черепашка» на голові переходили вузьким місточком через річку, рівно тримаючи спинку та підборіддя; «стріляли з лука», розтягуючи гумово-поролоновий тренажер «Лук», а потім виконували звукову вправу з артикуляцією звуків «Ж-Ж-Ж» і «З-З-З», імітуючи політ стріли.

¹⁰³ Абрамович С. Г. Комплексная физиотерапия: пособие для врачей / С. Г. Абрамович, Е. О. Коровина. Иркутск: РИО ИГИУВА, 2009. 32 с.

В кінці заняття реабілітолог похвалив дітей, що вони подолали багато труднощів на своєму шляху і зробили добру справу – повернули котика додому. Усі разом поплескали в долоні. Проводячи сюжетне заняття «Грайливі ведмежата» діти під музичний супровід «звучи лісу» заходили в залу, де вчитель знайомив їх з ляльками.



Рис. 1. Стискання тренажера «Гармошка» за спиною, «Ведмедиком Михасиком» та «Бабою-Ягою»

Реабілітолог розповідав, що ведмежата люблять активно рухатись, гратися на галявині та збирати ягоди, а ще вони повинні бути дуже сильними. В цьому лісі Баба-Яга почала перешкоджати лісовим мешканцям: зламала хатинку зайчика та місточок бобренят через річку; вкрала окуляри у їжачка тощо.

Діти одягали поролонові «лапки» на долоні і перетворювалися на ведмежат. Вони робили добрі справи долаючи перешкоди Баби-Яги: йшли до хатинки зайчика по камінцях та через траву з високим підніманням стегна, на п'ятах, на носках, на зовнішній та внутрішній поверхні стопи; пробігали по гарячому піску біля річки з відведенням прямих ніг та приставним кроком; задували полум'я, яке розпалила Баба-Яга перешкоджаючи їм знайти будинок зайчика.

Медвежата виконували силові вправи для м'язів, щоб бути сильними і відремонтувати хатку зайчика. Вони робили вправи з гумово-поролоновим еспандером «Лук», розтягуючи його перед грудьми, над головою, за спиною та плечима (Рис. 2).



Рис. 2. Розтягування гумово-поролонового еспандера «Лук» за спиною

Потім ведмежата лягали на живіт і ловили комах, плескаючи в долоні, розвиваючи силу м'язів верхні кінцівок; виконували різні типи дихання, вкладаючи «лапку» на грудину та живіт; лежачи на животі стискали тренажер «Гармошку» перед собою, укріплюючи привідні м'язи; сидючи на п'ятах прогиналися вперед і погладжували «травку», розтягуючи хребет і грудні м'язи (Рис. 3); плескали поролоновими «лапками» по кінцівкам і тулубу, виконуючи вібромасаж для релаксації м'язів.



Рис. 3. Розтягування хребта ковзаючи лапками то трави

Ведмежата після силових вправ стали витривалими і сильними тому швидко відремонтували будинок котика і почали допомагати бобренятam налагоджувати міст.

Потім вони допомагали їжачку перейти через річку. Брили казково-ігрове пристосування «Черепашку», клали його на голову і з рівною спиною проходили через місток по парам тримаючись за «лапки».

Наприкінці заняття «Ведмежа Михась» відзначав найбільш активних і спритних учнів. Таким чином реабілітолог підводив підсумок, вказуючи на загальні помилки під час занять і методи їх виправлення.

Сюжетне заняття «Подорож до чарівної Африки». Реабілітолог пропонував дітям відправитися до Африки. Під час цікавої подорожі діти долали багато різних перешкод і виконували різні види вправ з дитячими гумово-поролоновими тренажерами та посібниками: динамічні силові вправи з подоланням опору та короткотривалим статичним напруженням, під час упорів поролоновими рукавичками в опору у різних вихідних положеннях; звукові дихальні вправи з артикуляцією звуків і плесканням рукавичками по лопаткам; статичні дихальні вправи з фіксацією рукавичок на грудині та животі для контролю; динамічні дихальні вправи з потягуванням вгору; вправи на гнучкість з плесканням поролоновими рукавичками перед собою та за спиною; вправи на координацію та рівновагу, крокуючи по вузькій доріжці та стоячи на одні нозі, імітуючи положення чаплі; вправи на релаксацію з самомасажем поролоновими рукавичками різних ділянок тулуба і кінцівок. Сюжетне заняття закінчувалося також підведенням підсумків.

При впровадженні комплексу вправ з казково-ігровими дитячими тренажерами та посібниками враховували комплексний підхід до фізичної та функціональної підготовки дітей даної вікової групи, тому дотримувалися визначених рекомендацій: заняття ЛГ проводили 3 рази на тиждень тривалістю 30-35 хв.; кожну силову вправу діти виконували 6-10 разів у середньому темпі, плавно, без ривків і затримки дихання; значну кількість вправ проводили імітаційним способом, що сприяло цілеспрямованому навантаженню ослаблених м'язових груп; проводили постійний контроль за правильною поставою і симетричними рухами кінцівок; урізноманітнювати вправи і надавали їм ігрового колориту; динамічні і статичні дихальні вправи діти виконували 4-6 разів після силових вправ, для зменшення фізичного навантаження та покращення газообміну; вправи звукової гімнастики проводили 3-4 рази в одному підході, щоб уникнути гіпоксії; під час виконання вправ не допускали великого перенапруження м'язової системи, що може призвести до перенапруження дитячого організму.

Фізкультхвилинки тривалістю 1-5 хв. проводили через 12-15 хв. від початку уроку. Основною метою фізкультхвилинки було: переключення дитини з розумової діяльності на

фізичну; стимуляція крово- та лімфообігу основних м'язових груп тулуба і кінцівок; формування правильного механізму зовнішнього дихання через ніс; розвиток дихальних м'язів; покращення вентиляції легень та психоемоційного стану.

Фізкультхвилинки проводилася у вигляді короткотривалих комплексів фізичних вправ (2-3 вправи), які включали також 2 дихальні вправи («Їжачок» і «Морзянка»), що активізувало носове дихання і сприяло проведенню пневмомасажу носових ходів. Кожну дихальну вправу діти виконували 3 підходи по 2-3 рази. Під час виконання вправи «Їжачок», вони прикривали вказівними пальцями крила носа і на діафрагмальному видиху проводили пресорний масаж з частотою до 240 рухів за 1 хв.

Виконуючи вправу «Морзянка» діти під час діафрагмального видиху почергово натискала зігнутими вказівними пальцями на ліву і праву ніздрі, гучно випускаючи через них повітря.

У домашніх умовах рекомендували поєднувати пневмомасаж із загартовуючими водними процедурами. Для цього після закінчення масажу діти виконували водні процедури: три рази вмивалися холодною водою, розтираючи обличчя і втягували носом воду з долоні. Повторювала цю методику 3-4 рази.

Фізкультурна пауза проводилася в перервах між уроками у спортивній залі, два рази на тиждень тривалістю 10-12 хв. Під ритмічний музичний супровід проводили рухливі ігри помірної інтенсивності, що забезпечувало дітям необхідну рухову активність, знімало психологічне напруження і у подальшому активізувало розумову діяльність.

В домашніх умовах рекомендували використовувати раціональне харчування зі збільшенням вмісту вітамінів та мінералів (А, Е, С, В₆, D₃, кальцію, фосфору, йоду), що сприяло активізації роботи кардіореспіраторної системи, кишково-шлункового тракту та стимулювало резистентність організму.

Су Джок масаж, який діти виконували вдома, включав пресорний масаж подушечкою великого пальця рефлекторних ділянок, які відповідають за легені. Вони знаходяться на підвищенні тенору долонь. За «відповідністю комахи», проекція легень знаходиться на долонній поверхні середніх фаланг усіх пальців, тому діти щипцеподібно розтирали ці ділянки вказівним та великим пальцями протилежної долоні протягом 2-3 хв¹⁰⁴.

В домашніх умовах діти кожного дня виконували вправ парадоксальної дихальної гімнастики О. М. Стрельнікової тривалістю 8-10 хв. В комплекс входили вправи: «вушки», «малий маятник», «обійми плечі» «насос» і «кішка».

На початку і в кінці дослідження з дітьми обох груп було проведено вимірювання функціональних показників кардіореспіраторної системи: частоти серцевих скорочень (ЧСС), частоти дихальних актів (ЧД), функціональні дихальні проби Штанге та Генче, життєвої ємності легень.

Під час проведення соматометричного дослідження було виявлено, що у дітей ОГ різниця між показниками ЧСС на початку і в кінці дослідження склала 7,8 уд./хв., а у дітей ГП цей показник склав 5,9 уд./хв. Тобто різниця результатів між групами становить 1,9 уд./хв., що дорівнює 2,1%. Різниця між показниками ЧД у дітей ОГ та ГП 0,8 дих./ак. за хвилину, що становить 3,4%.

Під час проведення функціональної дихальної проби Штанге було виявлено, що показники у дітей ОГ покращилися на 4,8 с, у дітей ГП на 3,8 с. Загальна різниця становить 1,0 с, що складає 2,4%. Проведення проби Генче засвідчило, що динаміка показників у дітей ОГ та ГП склала відповідно 2,8 с та 1,6 с. Тобто загальна різниця показників становить 1,2 с, що склало 7,8%. Динаміка показників кардіореспіраторної системи представлена на Рис. 4.

¹⁰⁴ Пак Дже Ву. Сам себе Су Джок доктор / Пак Дже Ву. – М.: «Су Джок Академия», 2003. 156 с.

Аналіз показників ЖЄЛ на заключному етапі дослідження показав, що вони покращилися на 0,2 л у дітей ОГ і на 0,1 л у дітей ГП, тобто різниця склала 0,1 л (6,6%). Також було з'ясовано, що динаміка відновлення стереотипу дихання через ніс у дітей ОГ по відношенню до ГП була кращою на 58%.

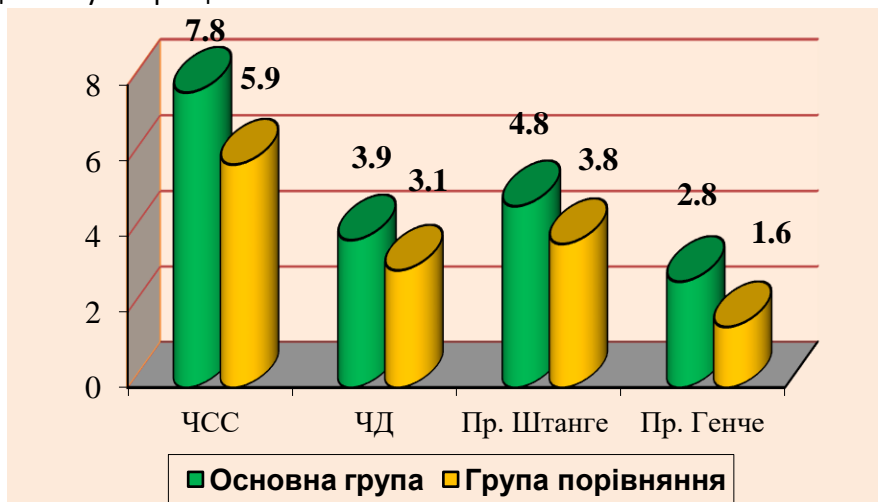


Рис. 4. Динаміка показників кардіореспіраторної системи дітей ОГ та ГП

Покращення показників кардіореспіраторної системи відбулося завдяки кумулятивному впливу засобів комплексної програми з фізичної реабілітації: сюжетних занять з використанням силових, статичних та динамічних дихальних вправ, вправ парадоксальної дихальної гімнастики О. М. Стрельнікової, процедур ароматерапії та Су Джок терапії.

Дослідження динаміки силових показників м'язів тулуба і кінцівок відбувалося завдяки проведенню тесту на визначення силової витривалості м'язів плечового поясу (трапецієподібного, ромбоподібного, дельтоподібного, трицепсу, зубчастих м'язів). Проведення тесту: дитина у в. п. стоячи, ноги на ширині плечей, утримувала гумово-поролоновий еспандер «Лук» у зігнутих руках біля плечей. За командою реабілітолога вона розгинала руки в сторони, максимально розтягуючи гумово-поролоновий еспандер. Темп виконання вправи був середнім.

Критерієм оцінки силової витривалості м'язів плечового поясу була кількість розгинань верхніх кінцівок в сторони з повною амплітудою, розтягуючи гумово-поролоновий еспандер «Лук». Виконання вправи припиняли при наявності симптомів втомі: неякісного виконання вправи, порушення координації рухів, значної гіперемії обличчя та затримки дихання.

Аналіз показників силової витривалості м'язів плечового поясу показав, що діти ОГ покращили показники тесту на 5 разів, а діти ГП на 1 раз. Тобто динаміка покращення показників силової витривалості м'язів плечового поясу у дітей ОГ була кращою на 13% ніж у дітей ГП (Табл. 1).

Таблиця 1. Динаміка показників силової витривалості м'язів плечового поясу, разів

Показники	ОГ			ГП			Різниця показників, %
	На початку досл-я n 13	Після досл-я n 13	Різниця показників, абс.	На початку досл-я n 10	Після досл-я n 10	Різниця показників, абс.	
	M±m	M±m		M±m	M±m		
Кількість розгинань	28,3±0,7	33,6±0,6	5,3	27,7±0,5	28,5±0,3	0,8	13

Проводячи дослідження показників екскурсії грудної клітки, було з'ясовано, що вони у дітей ОГ покращилися на 1,3 см, а у дітей ГП – на 0,2 см. Це свідчить що динаміка цього показника у дітей ОГ була кращою на 22,8% (Табл. 2).

Таблиця 2. Динаміка показників екскурсії грудної клітки, см

Пок-ки	ОГ			ГП			Різниці показників, %
	На початку досл-я n 13	Після досл-я n 13	Різниці показників, абс.	На початку досл-я n 10	Після досл-я n 10	Різниці показників, абс.	
	M±m	M±m		M±m	M±m		
ЕГК	3,2 ± 0,19	4,5 ± 0,21	1,3	3,1±0,07	3,3±0,04	0,2	22,8

Враховуючи результати дослідження, можна зробити висновок, що саме комплексна програма фізичної реабілітації яка включала сюжетні заняття з використанням дитячих казково-ігрових тренажерів і посібників для покращання функції кардіореспіраторної системи та розвитку сили м'язів в комплексі з низкою дихальних вправ, процедур ароматерапії, імаготерапії та музикотерапії, Су Джок масажу та пневмомасажу, комплексу вправ дихальної гімнастики О. М. Стрельнікової позитивно вплинуло на стан здоров'я дітей молодшого шкільного віку з обструктивним бронхітом.

Аналіз літературних джерел свідчить, що бронхіт є однією з найбільш розповсюджених форм респіраторних захворювань у дітей молодшого шкільного віку. Виявлено, що є потреба у пошуку нових підходів до використання інноваційних засобів в процесі реабілітації дітей з даною патологією.

На основі проведених теоретичних досліджень було обґрунтовано підходи до фізичної реабілітації дітей молодшого шкільного віку, які хворіють на бронхіт та розроблено комплексну програму яка складається з низки сюжетних занять лікувальної гімнастики з використанням дитячих тренажерів і казково-ігрових посібників, процедур пневмомасажу, Су Джок терапії, ароматерапії, імаготерапії, музикотерапії, раціонального харчування і вправ парадоксальної дихальної гімнастики О. М. Стрельнікової.

Під час реалізації комплексної програми фізичної реабілітації стан здоров'я дітей основної групи молодшого шкільного віку з обструктивним бронхітом значно покращився. У дітей також з'явилося стійке бажання систематично виконувати спеціальні комплекси, які включали: статичні динамічні, звукові та дренажні дихальні вправи, короткотривалі статичні та динамічні силові вправи з подоланням опору, вправи на гнучкість, рівновагу та координацію, які виконували імітаційним способом за казковим сюжетом.

Відбулася більш позитивна динаміка показників кардіореспіраторної системи та розвитку рухових якостей у дітей ОГ по відношенню до дітей ГП: відновлення стеріотипу дихання через ніс було кращим на 58%; збільшення екскурсії грудної клітки на 22,8%; зменшення ЧД – на 3,4% і ЧСС – на 2,1%; покращення показників проби Штанге – на 2,4%, Генче – на 7,8%, ЖЕЛ – на 6,6%; показників силової витривалості м'язів плечового поясу – на 13%.

Література:

1. Зенін О. К. Фізична реабілітація при хронічному обструктивному бронхіті / О. К. Зенін, В. В. Потапов, Є. В. Жданов // Вісник Чернігівського національного педагогічного університету. 2014. Вип. 118 (3). С. 126-129. Серія: Педагогічні науки. Фізичне виховання та спорт.
2. Коваленко Т. С. Клінічна характеристика дітей раннього віку, хворих на гострий обструктивний бронхіт / Т. С. Коваленко // Український медичний альманах. 2012. Т. 15. № 6. С. 79-83.
3. Потапчук А. А. Лечебная физическая культура в детском возрасте / А. А. Потапчук, С. В. Матвеев, М. Д. Дидур. СПб: «Речь», 2007. – 243 с.
4. Хрущев С. В. Физическая культура детей с заболеваниями органов дыхания: учеб. пособие для студ. выс. учеб. заведений / С. В. Хрущев, О. И. Симонова. М.: Издательский центр «Академия», 2006. 304 с.
5. Єрьоміна О. Л. Лікувальна фізична культура: навч.-метод. посіб. для прак. занять студ. мед. факультету / О. Л. Єрьоміна, Л. І. Котова. Полтава: Універс. книга, 2005. 88 с.
6. Толкачев Б. С. Физкультурный залон ОРЗ / Б. С. Толкачев. М.: Физкультура и спорт, 1988. – 159 с.
7. Щетинин М. Н. Дыхательная гимнастика А. Н. Стрельниковой. М. Н. Щетинин. М.: Метафора, 2002. 128 с.
8. Колобов Ф. Г. Дыхание по Бутейко / Ф. Г. Колобов. М.: АСТ; Донецк: Сталкер, 2007. 120 с.
9. Аксенова А. А. Рыдающее дыхание. Лечим болезни за месяц / А. А. Аксенова. Х.: Виват, 2015. 256 с.
10. Ефименко Н. Н. Материалы к оригинальной авторской программе «Театр физического воспитания и оздоровления детей дошкольного и младшего школьного возраста» / Н. Н. Ефименко. М.: ЛИНКА-ПРЕСС, 1999. 256 с.
11. Провознюк Г. Г. Гра і здоров'я: методичний посібник з питань організації фізкультурної та оздоровчої роботи з дітьми дошкільного і молодшого шкільного віку / Г. Г. Провознюк. Тернопіль: Мальва-ОСО, 2005. 144 с.
12. Степанова О. А. Методика игры с коррекционно-развивающими технологиями: учебное пособие для студентов средних педагогических учебных заведений / О. А. Степанова, М. Э. Вайнер, Н. Я. Чутко; под ред. Г. Ф. Кумариной. – М.: Академия, 2003. – 272 с.
13. Корж Ю. М. Експериментальна авторська методики оздоровчо-корекційної гімнастики “Богатир” для дітей дошкільного віку з порушеннями функцій опорно-рухового апарату: навчальний посібник / Ю. М. Корж. – Суми: СумДПУ ім. А. С. Макаренка, 2012. 170 с.
14. Макаренко А. С. Педагогические сочинения: в 8 т. Т. 1. / А. С. Макаренко; [сост.: Л. Ю. Гордин, А. А. Фролов; ред. кол. В. М. Коротов, С. В. Михалков, В. С. Хелемендик; под ред.: М. И. Кондакова]. – М.: Педагогика, 1983. 368 с.
15. Абрамович С. Г. Комплексная физиотерапия: пособие для врачей / С. Г. Абрамович, Е. О. Коровина. Иркутск: РИО ИГИУВА, 2009. 32 с.
16. Пак Дже Ву. Сам себе Су Джок доктор / Пак Дже Ву. – М.: «Су Джок Академия», 2003. 156 с.

1.9. Innovative educational technologies and methods in the professional training of future physical therapists, occupational therapists

1.9. Інноваційні технології і методи навчання в професійній підготовці майбутніх фахівців з фізичної терапії, ерготерапії

Сучасні тенденції реформування системи вищої освіти України в умовах глобалізації та інформатизації суспільства, детермінують підвищення вимог до якості професійної підготовки майбутніх фахівців, що вимагає трансформації змісту традиційної системи їх підготовки. Пріоритетним напрямом у контексті модернізації вітчизняної системи вищої освіти є орієнтація на забезпечення міжнародної якості підготовки майбутніх фахівців: компетентних, конкурентоспроможних, мобільних, здатних до творчої продуктивної діяльності, постійного професійного розвитку та самовдосконалення.

Зростання попиту на фахівців з фізичної терапії, ерготерапії, в умовах незадовільного стану здоров'я населення України, обумовлює потребу в оптимізації процесу їх професійної підготовки, важливим аспектом якого є впровадження інноваційних технологій навчання. В основі інноваційної освітньої технології – ідея формування необхідних компетенцій майбутніх фахівців з орієнтацією на їх потенційні можливості і самостійність, що дозволить їм оперативно та ефективно реагувати на введення інновацій, самостійно знаходити творчі способи вирішення професійних завдань і, таким чином, адаптуватися до сучасних мінливих умов майбутньої професійної діяльності.

Окремі аспекти реалізації інноваційних освітніх технологій у закладах вищої освіти висвітлено в наукових працях О. Дубасенюк, Н. Кошечко, J. Brennan, M. Flavin та ін. Натомість, питання щодо впровадження інноваційних освітніх технологій в процес професійної підготовки майбутніх фізичних терапевтів, ерготерапевтів не знайшли достатнього відображення в наукових працях.

Характерною особливістю сучасних інноваційних технологій навчання є реалізація трьох взаємопов'язаних і взаємодіючих складових: 1) сучасний (інноваційний) зміст, який є логічно структурованим, передбачає широке використання мультимедійних матеріалів навчання і сучасних комунікаційних засобів, спрямовується на формування компетенцій, адекватних сучасним вимогам до підготовки майбутніх фахівців до професійної діяльності; 2) сучасні (інноваційні) методи навчання – активні та інтерактивні методи формування компетенцій, які передбачають активне залучення студентів до навчального процесу, забезпечують стійку позитивну мотивацію та спрямовуються на розвиток критичного мислення, творчого потенціалу і здібностей до творчого перетворення набутих знань, умінь і навичок; 3) сучасна інфраструктура, яка органічно поєднує технологічний, організаційний, інформаційний і комунікативний компоненти, що дозволяють ефективно використання студентами переваг дистанційних форм навчання.

На сьогодні в закладах вищої освіти використовуються такі інноваційні освітні технології: проектного навчання; проблемного навчання; модульного навчання; контекстного навчання; інтерактивні технології (case-study; ігрові технології (ділові, рольові ігри та ін.); імітаційне моделювання; «критичне мислення» і «мозковий штурм»; дискусії, «круглий стіл», тренінги та ін.); складання «портфоліо»; міждисциплінарне навчання; здоров'язбережувальні технології; комп'ютерні технології (дистанційне навчання; технології електронного тестування; інформаційно-комунікаційні технології) (Рис. 1).

Розглянемо більш детально специфіку реалізації інноваційних освітніх технологій у навчальному процесі підготовки майбутніх фахівців з фізичної терапії, ерготерапії.

Сутність технології проектного навчання полягає в самостійній розробці і реалізації студентами нового, оригінального, соціально і особистісно значущого «продукту» (проекту).

Проектне навчання забезпечує актуалізацію проектувально-прогностичних, організаційно-діяльнісних і рефлексивно-аналітичних умінь; сприяє розвитку в майбутніх фахівців нестандартного продуктивного мислення, творчого потенціалу, дослідницьких умінь; формуванню комунікативних і організаторських здібностей, навичок колективної взаємодії, оскільки передбачає групову роботу над проектами.



Рис. 1. Інноваційні освітні технології у вищій школі

Проект включає три послідовні фази: фазу проектування (цілеполагання), технологічну (цілевиконання) і рефлексивну фази, кожна з яких реалізує свої етапи (Рис. 2).

На виконання проекту майбутнім фахівцям з фізичної терапії, ерготерапії відводились аудиторні години і час на самопідготовку, попередньо обговорювалися терміни виконання, основні вимоги та критерії оцінювання проекту. Студентам надавалась можливість самостійно визначити тему проекту в рамках конкретної дисципліни, з рахуванням особистої значущості та значущості теми в дидактичному і творчому аспектах для майбутньої професійної і наукової діяльності.

Основними вимогами до проекту були такі: 1) обґрунтування актуальності теми проекту; 2) творчий підхід і оригінальність ідей; 3) структурованість і змістовність (глибина і повнота розкриття теми, означеної проблеми); 4) теоретична і практична значущість одержаних результатів пошуково-дослідницької роботи; 5) самостійність у вирішенні визначених завдань проекту; 6) культура оформлення проекту. У процесі моніторингу проектної діяльності студентам надавалась консультативна регламентована допомога щодо

суперечливих аспектів проекту. Оцінювання результатів проекту здійснювалося групою експертів (по одному студенту з кожної групи) на чолі з викладачем за критеріями відповідно до визначених вимог до проекту. Доцільно зазначити, що такий підхід дозволяє актуалізувати рефлексію, оскільки «експерти» є учасниками і реалізаторами групового проекту і, відповідно, знаходяться в умовах, що вимагають елімінації суб'єктивізму під час оцінювання. Експертне оцінювання підсумовувалося з оцінюванням (викладачем) захисту проекту, серед основних критеріїв якого відзначимо: якість доповіді, ерудованість доповідача/доповідачів, здатність до критичного мислення, аргументоване відстоювання власної позиції, здатність до пошуку альтернатив і досягнення консенсусу в умовах конфронтації у випадку полярності точок зору тощо.



Рис. 2. Фази та етапи роботи студентів над проектами

Метою проблемного навчання, є активізація пізнавальної сфери діяльності студентів на основі визначення причинно-наслідкових зв'язків в процесі вирішення проблемних ситуацій і завдань.¹⁰⁵

В основі проблемної ситуації (завдання) закладено суперечності, детерміновані інформацією недостатнього, надмірного (надлишкового), альтернативного або хибного характеру. Для проблемного навчання характерним є те, що знання і засоби діяльності не переносяться в готовому вигляді, не пропонуються правила або інструкції вирішення певного завдання; навчальний матеріал не надається, а задається як предмет пошуку.¹⁰⁶

Структура технології проблемного навчання містить послідовні взаємообумовлені етапи: 1) актуалізація опорних знань; 2) проблемна ситуація, її аналіз; 3) формулювання проблеми; 4) висунення гіпотез; 5) доказ або спростування гіпотез; 6) рефлексія; 7) відтворення нового матеріалу. В залежності від рівня самостійності студентів технологія проблемного навчання може реалізовуватися через такі методи: проблемного викладення, евристичної бесіди, самостійної дослідницької діяльності (Рис. 3).

¹⁰⁵ Эрганова Н. Е. (2007): Методика профессионального обучения, с. 58.

¹⁰⁶ Новиков А. М. (2006): Методология образования, с. 379.



Рис. 3. Методи технології проблемного навчання

Найбільш оптимальним методом проблемного навчання у форматі лекційного заняття, на нашу думку, є метод евристичної бесіди, який дозволяє активізувати самостійну роботу студентів при збереженні достатнього інформаційного обсягу лекційного матеріалу. Так, наприклад, у процесі проведення проблемної лекції на тему «Масаж та його види» студентам пропонувалося відповісти на питання «У чому, на вашу думку, полягають відмінності застосування класичного та лікувального масажу?». Студенти на це запитання переважно відповідають, що класичний масаж включає прийоми, які застосовуються з метою оздоровлення (релаксації або тонізації організму), а лікувальний – з лікувальною метою. Наступне питання лектора містить протиріччя: «Але ж лікувальний масаж включає всі масажні прийоми, які застосовуються під час класичного масажу. Чому ж його застосовують з лікувальною метою?» Поступово в процесі активного обговорення суперечливих інформаційно-проблемних питань цілеспрямовано підводили студентів до розуміння, що терапевтичний ефект лікувального масажу обумовлюється специфікою використання масажних прийомів: співвідношенням і інтеграцією різних прийомів масажу, тривалістю їх впливу, послідовністю масажних прийомів, темпом виконання, силою механічної дії, впливу на конкретні м'язи, ділянки тіла людини тощо.

Отже, впровадження технології проблемного навчання дозволяє оптимізувати самостійну творчо-пошукову роботу студентів, сприяє формуванню в майбутніх фахівців з фізичної терапії, ерготерапії професійних мотивів, стійкого інтересу до професійної і наукової діяльності.

Інтерактивні форми проведення занять забезпечують високий рівень мотивації до навчання; заохочують до активної участі кожного в навчальному процесі; сприяють ефективному оволодінню навчальним матеріалом; забезпечують зворотній зв'язок (зворотна реакція аудиторії); сприяють розвитку толерантності та особистісної рефлексії, формуванню життєвих навичок, позитивним змінам у поведінці. Інтерактивне навчання – це діалогове навчання в аспекті групової взаємодії, у процесі якого всі учасники дискутують, обмінюються інформацією і досвідом, сумісно вирішують проблемні завдання, моделюють ситуації, оцінюють власну поведінку та дії інших.

Незважаючи на спроби науковців класифікувати інтерактивні технології навчання, на сьогодні не існує загальноприйнятої, уніфікованої класифікації, що детерміновано наявністю різних комбінацій подібних інтерактивних методів у різних освітніх технологіях. Інтерактивні

методи, що реалізувалися у процесі навчання майбутніх фахівців з фізичної терапії, ерготерапії, відображено на Рис. 4.



Рис. 4. Інтерактивні методи навчання в підготовці фахівців з фізичної терапії, ерготерапії

Інтерактивна лекція передбачала логічне систематизоване викладення навчального матеріалу, яке раціонально інтегрувало інформаційно-вербальний і візуальний супровід (мультимедійна презентація) та активне обговорення студентами навчальної інформації (бесіда у формі «запитання-відповідь», дискусія, прес-конференція тощо).

Ефективному сприйняттю, осмисленню і засвоєнню навчального матеріалу сприяє інтерактивна лекція, організована у форматі «резюмування». Попередньо студенти розподіляються на малі групи для виконання творчих завдань. Після висвітлення певного питання в межах викладання лекційної теми, студентам пропонувалося написати резюме його змісту. У заключній частині лекційного заняття учасники кожної групи в процесі обговорення визначали найкраще резюме, автор якого зачитував його перед студентською аудиторією. На нашу думку, лекція-резюмування вимагає від майбутніх фахівців з фізичної терапії, ерготерапії максимуму уваги і зосередженості; сприяє розвитку аналітичного мислення, здатності до систематизації й узагальнення навчального матеріалу, лаконічного і грамотно оформленого його відтворення; забезпечує формування групової і особистісної рефлексії.

Особливість реалізації лекції у форматі прес-конференції полягала у викладенні навчального матеріалу на основі запитань студентів. У вступній частині лекції лектор, який виконував роль експерта, озвучував тему «прес-конференції» та її основні питання (підтеми). Студентам (учасникам прес-конференції) пропонувалося розподілитися на групи відповідно до кількості тематичних питань і протягом кількох хвилин сформулювати запитання з певної підтеми. Кожний учасник прес-конференції записував на картці одне чи два запитання. Наступний етап лекції-прес-конференції – сортування студентами питань у логічній послідовності відповідно до їх смислового змісту, уникаючи дублікатів. Картки із запитаннями передавалися лектору, який у процесі викладення навчального матеріалу формулював відповіді згідно з визначеними питаннями. На нашу думку, адресне інформування кожного учасника прес-конференції актуалізує особистісну значущість і важливість навчального матеріалу, оскільки кожен очікує відповідь на конкретне запитання. Наприкінці лекції проводився брифінг, у процесі якого лектор лаконічно відповідав на запитання студентів, які додатково виникли під час викладення навчального матеріалу.

Перевагою інтерактивних методів навчання (дискусія, диспут, дебати, мозковий штурм та ін.) є орієнтація на творчий підхід студентів до вирішення проблемних завдань майбутньої професійної діяльності. Дискусія (лат. «*discussio*» – розгляд, дослідження) – колективне обговорення суперечливого питання, конкретної проблеми; зіставлення різних точок зору, позицій, ідей, думок тощо. Дискусії різних модифікацій та форм організації включались, як в лекційні, так і семінарські заняття для фахівців з фізичної терапії, ерготерапії.

Навчальне заняття у формі дискусії передбачало реалізацію трьох послідовних стадій: 1) стадія орієнтації – адаптація студентів до висунутого питання (проблеми), установка на його вирішення; 2) стадія оцінювання – зіставлення різних позицій і точок зору, обмін інформацією, думками; 3) стадія консолідації – індивідуальна і групова рефлексія, узгодження думок і позицій, вироблення єдиних або компромісних вирішень питання (проблеми). На нашу думку, організація занять у формі дискусії сприяє формуванню у студентів таких необхідних для майбутньої професійної діяльності вмій та здібностей, як чітке висловлювання власної позиції, її аргументація, толерантність до опонента, рефлексія, досягнення консенсусу або компромісу.

У процесі проведення семінарських занять для майбутніх фахівців з фізичної терапії, ерготерапії впроваджувалася технологія «круглого столу», в основі якої – специфічна форма організації дискусії, що включала такі атрибути: 1) розташування студентів таким чином, щоб кожен учасник дискусії мав змогу бачити один одного; 2) неформальна обстановка і принцип «вільного мікрофону» – вільне висловлювання думок, відсутність суворої ієрархії, порядку виступу і жорсткого регламенту; 3) всебічний розгляд теоретичної проблеми з різних позицій і точок зору щодо її практичної реалізації; вироблення узгоджених позицій, рекомендацій з предмету обговорення. Доцільно зазначити, що технологія круглого столу передбачає інтеграцію дискусії з груповою консультацією в межах конкретної теми. Резюмування результатів круглого столу передбачало вироблення єдиної стратегії сумісної професійної діяльності, внесення коректив і доповнень у найбільш значущі пропозиції і рекомендації, визначення кола питань для наступного засідання. Вважаємо, що круглий стіл як метод динамічної суб'єкт-суб'єктної взаємодії сприяє інтелектуальній саморегуляції, розвитку творчого мислення, формуванню ораторських здібностей, особистісній і професійній самоактуалізації майбутніх фахівців з фізичної терапії, ерготерапії.

У процес підготовки майбутніх фахівців з фізичної терапії, ерготерапії також впроваджено такий інтерактивний метод навчання, як дебати, що організовувались у межах семінарських занять. Сутність дебатів полягає в спеціальній організації публічної дискусії, яка передбачає наявність діаметрально протилежних точок зору та спрямовується на аргументацію власної позиції з метою переконання в її вагомості не опонента, а нейтральної аудиторії. Особливістю

дебатів як форми дискусії є відсутність суперечки (спору) між опонентами: опонентам ставляться питання лише з метою з'ясування їхньої позиції та визначення її сильних і слабких сторін.

Організація дебатів включала: попереднє обговорення зі студентами теми та формулювання її основних суперечливих тез (аргументів); вибір двох команд спікерів, які виконували роль опонентів; визначення регламенту виступів, критеріїв оцінювання та форми аналізу й оцінювання дебатів. У процесі дебатів команди спікерів висували заздалегідь підготовлені аргументи і контраргументи та інші методи переконання (докази, підтримка). Одна команда спікерів стверджувала тезу, наводячи на захист своєї позиції різні свідчення (статистичні дані, знання, результати наукових досліджень, факти), інша – спростовувала. Після кожного виступу спікер однієї команди відповідав на запитання, сформульовані спікером команди опонентів. Обговорення (виступ, запитання) здійснювалося відповідно до визначеного регламенту дебатів, за дотриманням якого стежив тайм-спікер, який демонстрував на картці час закінчення виступу (за дві, одну та півхвилини). Командам надавалася можливість п'ятихвилинної перерви (тайм-аут) для спільної двосторонньої консультації. Студентам, незадіяним у командах спікерів, відводилася роль «нейтральної аудиторії» або суддів. У заключній частині формальних дебатів здійснювався рефлексивний аналіз результатів дискусії, обговорення й оцінювання їх відповідно до визначених критеріїв та шляхом відкритого голосування нейтральної аудиторії. На нашу думку, дебати як інтерактивний метод навчання забезпечують розвиток у студентів діалектичного мислення для вирішення різних проблем у професійній діяльності, проєктивних умінь, комунікативних і креативних здібностей, навичок міжособистісної взаємодії та ін.

З метою стимуляції в майбутніх фахівців з фізичної терапії, ерготерапії творчого мислення у вирішенні завдань професійної і наукової спрямованості нами впроваджено технологію «мозковий штурм». Засновником технології мозкового штурму вважається американський журналіст А. Осборн, який стверджував, що кількість ідей переходить в якість і чим більше ідей породжує людина, тим більше шансів, що серед них будуть раціональні ідеї; при цьому найкращі ідеї народжуються не відразу.

Мозковому штурму як технології навчання властиві такі позитивні аспекти: 1) активна участь усіх учасників, інтеграція їх зусиль у вирішенні проблеми в аспекті можливості взаємодоповнення різних ідей; 2) висунення оригінальних ідей без аргументів і доказів, що заохочує студентів власне до їх пошуку; 3) генерування ідей в умовах суворої заборони на жорстку критику будь-якої ідеї або думки, навіть абсурдної, – допускаються лише заохочувальні зауваження; 4) експертний аналіз висунутих ідей на предмет вмісту в них раціональних думок.

Попередня підготовка студентів передбачала їх ознайомлення з технологією мозкового штурму; обговорення актуальних проблем або завдань, які мали теоретичну і практичну значущість; розподіл учасників на такі групи: 1) група замовників ідей, які здійснювали постановку проблеми; 2) група генераторів ідей, які висували оригінальні ідеї і фіксували їх письмово; 3) група аналітиків, які аналізували ідеї; 4) група критиків, які ставили під сумнів висунуті ідеї. Функцію ведучого або керівника, який спрямовував роботу учасників мозкового штурму, зазвичай виконував викладач. Наприклад, у процесі проведення практичного заняття на тему «Фізична терапія при захворюваннях суглобів» технологія мозкового штурму реалізувалася в чотири етапи. На першому етапі замовники ідей (пацієнти із захворюваннями суглобів) озвучували свою проблему у вигляді симптоматичного комплексу (набряк, гіперемія, тугорухливість, біль, його локалізація, іррадіація тощо). На другому етапі генератори ідей (науковці в галузі фізичної терапії) висували ідеї в аспекті фізичної терапії, спрямовані на вирішення озвучених замовниками проблем. При цьому кожен генератор ідей пропонував 1-2 методичні рекомендації, вправи кінезотерапії тощо, які оформлювали письмово. Основною вимогою до «генерованих» ідей була їх оригінальність (нестандартність), уникнення

дублювання в «чистому вигляді» набутих на лекційному занятті знань. Студенти висували інтуїтивні припущення, гіпотетичні ідеї, що дозволило їм реалізувати свій творчий потенціал, ґрунтовно осмислити й актуалізувати набуті знання щодо організаційно-методичних особливостей фізичної терапії при захворюваннях суглобів, показань та протипоказань, дозуванні фізичних вправ тощо. На третьому етапі аналітики ідей (практикуючі фахівці з фізичної терапії) аналізували висунуті ідеї в процесі їх клінічної апробації за участі замовників ідей (пацієнтів). Четвертий етап передбачав критичний аналіз запропонованих ідей, який здійснювала група студентів (лікарі – ортопед, невролог, ревматолог), які ставили під сумнів запропоновані ідеї. На останньому етапі у процесі активної взаємодії всіх учасників за домінуючої ролі ведучого, фахівців з фізичної терапії та лікарів підсумовувалися результати мозкового штурму, відзначилися найбільш раціональні ідеї з претензією на оригінальність. Зазначимо, що під час організації мозкового штурму акцентувалась увага на розробці сценарію, який дозволяв зміцнити і поглибити теоретичні знання в тісному взаємозв'язку з майбутньою професійною (практичною) діяльністю.

Важливого значення в професійній підготовці майбутніх фахівців з фізичної терапії, ерготерапії набувають інноваційні технології навчання, в основі яких – моделювання, програвання й аналіз ситуацій, наближених до реальних умов життя. Сутність технології case-study (розбір ситуації або конкретного випадку, технологія аналізу конкретних ситуацій) полягає в тому, що в його основі застосовуються описи конкретних ситуацій або випадку (від англ. «case» – випадок).¹⁰⁷ Репрезентована для аналізу ситуація повинна відображати реальну життєву ситуацію, опис якої містить проблему, низку прямих або опосередкованих труднощів, суперечностей, завуальованих завдань для її вирішення.¹⁰⁸

Під час розроблення кейсів враховувалися такі значущі, на нашу думку, аспекти: кейс повинен відтворювати типові ситуації, в основі яких – факти з реальної професійної діяльності, або ситуації, які мали місце в процесі підготовки фахівців з фізичної терапії, ерготерапії; кейс повинен провокувати дискусію та мати кілька варіантів вирішення; кейс повинен одночасно презентуватись у вигляді технічного завдання й інформаційного джерела для усвідомлення варіантів вирішення проблеми; ситуації, репрезентовані в кейсах, повинні спрямовуватися на поглиблення теоретичних знань у межах дисциплін, що вивчаються, та передбачати практичне їх вирішення; кейси повинні бути викладені доступною, зрозумілою, простою мовою.

Поетапність реалізації технології кейсів на практичному занятті включала: розподіл студентів на малі групи й групове обговорення можливих альтернативних рішень проблемної ситуації; презентація кожною групою конкретних вирішень проблеми та їх захист; колективна дискусія щодо репрезентованих рішень, аналіз їх можливих наслідків; підсумовування результатів дискусії, рефлексія. У процесі проведення заняття викладач виконував функції організатора (ведучого), брав регламентовану участь у колективній дискусії та підведенні її підсумків.

Майбутнім фахівцям з фізичної терапії, ерготерапії пропонувалися кейси різного ступеня складності: 1) кейси, що відображали проблемну ситуацію та конкретні шляхи щодо її вирішення (аналіз ситуації та адекватності її вирішення); 2) кейси, що відтворювали проблемну ситуацію та можливі варіанти її вирішення (аналіз ситуації, вибір варіанту її вирішення); 3) кейси з проблемною ситуацією, яка вимагала самостійного вирішення, допускалися навідні питання (аналіз ситуації, самостійний пошук шляхів щодо її вирішення).

На нашу думку, технологія кейсів є однією з найбільш ефективних інноваційних технологій навчання майбутніх фахівців з фізичної терапії, ерготерапії, оскільки інтегрує

¹⁰⁷ Андюсев Б. Е. (2010): Кейс-метод как инструмент формирования компетентностей, с. 61.

¹⁰⁸ Там же, с. 61.

технології проблемного, проектного, міждисциплінарного, контекстного та інтерактивного навчання (Рис. 5.).



Рис. 5. Інтеграція інноваційних освітніх технологій в технології кейсів

Ділова гра як метод навчання реалізує навчально-виховну, розвивальну, комунікативну, діагностичну, релаксаційну, рефлексивну функції. На нашу думку, суттєвою перевагою ділової гри в контексті підготовки фахівців з фізичної терапії, ерготерапії є можливість змоделювати будь-який фрагмент з їх реальної професійної діяльності відповідно до визначених дидактичних цілей і завдань. Ділова гра дозволяє охопити й відтворити увесь діапазон ситуацій, у тому числі проблемних, з якими можуть у майбутньому зіштовхнутися майбутні фахівці в процесі професійної діяльності, та сформувати в них цілісне уявлення про професійну діяльність в її динаміці.

Загальними вимогами до організації ділової гри є: розподіл ролей між учасниками гри; активна взаємодія учасників гри в умовах диференціації та інтеграції імітованих функцій; діалогове спілкування партнерів по грі як необхідна умова прийняття узгоджених рішень; реалізація різних інтересів учасників гри та ініціація суперечливих ситуацій; наявність загальної ігрової мети у всього колективу (ігрова система); включення в гру імпровізації; реалізація під час гри системи стимулювання дій учасників гри, наближених до реальних умов життя; високий динамізм, емоційна насиченість; резюмування процесу і результатів гри.

Організація навчальної ділової гри передбачала попереднє обговорення зі студентами теми, імітаційної моделі фрагменту професійної діяльності, сценарію (завдання, правила гри, ігрові процедури), ролей і функцій учасників гри. На наступному етапі здійснювався розподіл ролей між студентами з озвученням їх функцій (обов'язків) і описом характеру взаємодії, обумовленого змістом імітаційної професійної діяльності. У процесі реалізації ділової гри викладач

виконував роль «адміністратора», який спрямовував і змінював хід гри, ініціював проблемні ситуації, корегував і активував дії учасників гри, актуалізував дидактичні завдання гри. Неформальна, творча обстановка ділової гри сприяє формуванню в студентів пізнавальних і професійних мотивів, цілісного уявлення про майбутню професійну діяльність, комунікативної компетентності, умінь і навичок міжособистісної та колективної взаємодії, навичок сумісного прийняття рішень, а також розвитку системного мислення.

Особливість тренінгу як групового методу навчання полягає в тому, що теоретичні знання обов'язково реалізуються в інтеграції з опрацюванням практичних навичок і розвитком необхідного досвіду. Відповідно до структури тренінг містить три етапи: 1) інформаційний блок (теоретичні знання); 2) практичний блок (вироблення практичних навичок); 3) підведення підсумків. Доцільно зазначити, що до тренінгу залучаються різні комбінації будь-яких інтерактивних технологій (інтерактивна лекція, круглий стіл, мозковий штурм, дискусія, ігрові та кейс технології тощо). На першому етапі тренінгу студентам надавалась лекційна інформація у форматі мультимедійної презентації. На другому етапі студентам пропонувалось розподілитися на малі групи, кожна з яких отримала картку з індивідуальним практичним завданням. На третьому етапі тренінгу представник кожної групи репрезентував результати групового обговорення, які включали вирішення теоретичних завдань і демонстрацію практичної частини з обов'язковим обґрунтуванням рішень по кожному завданню. Колективна рефлексія супроводжувалась підведенням підсумків заняття, у процесі якого лектор відзначав найбільш адекватне і раціональне групове вирішення завдання, вказував на певні помилки, яких припускались студенти за результатами презентаційної частини тренінгу. Вважаємо, що такі заняття у форматі тренінгу забезпечують найбільш оптимальні умови для інтенсифікації процесу засвоєння теоретичних знань в інтеграції з їх практичним відпрацюванням.

В основі портфоліо як інноваційної освітньої технології – аутентичне оцінювання результатів навчальної, наукової і професійної діяльності, що дозволяє майбутнім фахівцям з фізичної терапії, ерготерапії реалізувати функції моніторингу і рефлексії в аспекті розвитку рівня своєї компетентності (професійної, науково-дослідної).

Технологія портфоліо характеризується як втілення ідеї активного збору інформації, відомостей; як детальний алгоритм розвитку дослідницьких якостей у процесі роботи з інформацією.¹⁰⁹ Портфоліо є цілеспрямованою «колекцією» найкращих робіт (творчих, дослідницьких, проектних тощо) та досягнень студентів, яка репрезентує їх особистісний прогрес у певній діяльності та може виступати як допоміжний (додатковий) засіб їх оцінювання, зокрема, доповнити результати тестування та інші форми традиційного контролю. Основними видами портфоліо є практико-орієнтовний, спрямований на аналіз практичної діяльності; проблемно-орієнтовний як засіб підвищення якості рішення проблем різного характеру; проблемно-дослідницький, що передбачає збір і систематизацію матеріалу, необхідного для написання наукової роботи, підготовки до конференції тощо; тематичний, присвячений аналізу та розробці різних аспектів теми.

Особливість складання портфоліо студентів полягала в охопленні і репрезентації їх досягнень в усіх видах діяльності – навчальній, науковій, професійній. Підготовчий етап роботи над портфоліо передбачав ознайомлення студентів із технологією портфоліо, обговорення його структури, орієнтовних змістових елементів (наповнення) кожного розділу портфоліо, процедури презентації, критеріїв оцінювання портфоліо.

Структура портфоліо для майбутніх фахівців з фізичної терапії, ерготерапії містила такі обов'язкові розділи:

¹⁰⁹ Аникушкина Е. А. (2010): Инновационные образовательные технологии и активные методы обучения, с. 119-120.

1. Резюме (загальні дані і відомості про автора портфоліо: прізвище, ім'я, по батькові, фото, дата народження, контактна інформація, освіта, професійний досвід, володіння іноземними мовами, хобі тощо).

2. Освітні результати (результати оцінювання з вивчених дисциплін; індивідуальні проекти, реферати, творчі роботи, мультимедійні презентації та ін. з конкретних дисциплін; сертифікати і дипломи з предметних олімпіад, навчальних семінарів та ін.; сертифікати з освоєння програм додаткової кваліфікації тощо).

3. Практична діяльність (звіти про проходження практики; відгуки методистів, керівників практики; кращі методичні напрацювання, що рекомендовані до впровадження в практику діяльності закладів і установ – баз проходження практики студентів тощо).

4. Науково-дослідна діяльність (тексти наукових статей у різних виданнях, тези матеріалів науково-практичних конференцій, науково-дослідницькі проекти; сертифікати участі в наукових семінарах, форумах, конкурсах, конференціях тощо).

5. Професійна діяльність (есе «Портрет ідеального фахівця з фізичної терапії, ерготерапії», грамоти і подяки за участь у професійних конкурсах, участь у профорієнтації; звіти з волонтерської діяльності та просвітницько-консультативної і профілактично-пропагандистської роботи серед різних груп населення; сертифікати тренінгів з удосконалення професійної майстерності тощо).

6. Портфоліо досягнень (відгуки керівників практики і наукових керівників дипломних робіт; акти впровадження результатів індивідуальної науково-дослідної роботи; сертифікати, посвідчення, дипломи, грамоти, подяки, рекомендаційні листи, що підтверджують досягнення студентів у навчальній, професійній і науковій діяльності).

7. Рефлексія (самоаналіз результатів навчальної, наукової, професійної діяльності, плани щодо підвищення професійної і наукової компетентності тощо).

Портфоліо, на нашу думку, є однією з достатньо дієвих і результативних інноваційних технологій навчання майбутніх фахівців з фізичної терапії, ерготерапії, оскільки дозволяє одночасно реалізувати такі важливі функції: діагностичну, моніторингу, оцінювання, атестаційну, рейтингову, мотиваційну, організаційну, процесуальну і рефлексивну.

Зважаючи на переважання позитивних аспектів репрезентованих інноваційних освітніх технологій, доцільно також відзначити і негативні, які дещо ускладнювали їх впровадження в процес професійної підготовки майбутніх фахівців з фізичної терапії, ерготерапії. По-перше, будь-яка інноваційна освітня технологія часто потребує модифікації й адаптації до умов організації навчального процесу і вимагає технологічної грамотності та професійної майстерності викладачів. По-друге, будь-яка інноваційна освітня технологія поряд із суттєвими перевагами може мати і певні недоліки, зокрема, тривалість підготовчого етапу, непередбачуваність результатів, потреба в додатковому методичному забезпеченні, труднощі з визначенням критеріїв та розробкою шкали оцінювання результатів.

Натомість, означені інноваційні освітні технології, за нашими спостереженнями, є найбільш оптимальними в контексті професійної підготовки майбутніх фахівців з фізичної терапії, ерготерапії в закладах вищої освіти, оскільки дозволяють максимально реалізувати творчо-продуктивну діяльність студентів у процесі навчання.

Література:

1. Андюсов Б. Е. Кейс-метод как инструмент формирования компетентностей // Директор школы: науч.-методич. журн. 2010. № 4. С. 61-69.
2. Аникушина Е. А., Бобина Е. А., Дмитриева А. О. Инновационные образовательные технологии и активные методы обучения: метод. пособие. Томск: В-Спектр, 2010. 212 с.
3. Новиков А. М. Методология образования. Издание второе. М.: «Эгвес», 2006. 488 с.
4. Эрганова Н. Е. Методика профессионального обучения: учеб. пособ. М.: Академия, 2007. 160 с.

1.10. Ways of preventing psychoemotional stress of adults living on demarcation line

1.10. Способи профілактики психоемоційного стресу у підлітків, що мешкають на лінії розмежування

Стресові ситуації відіграють значну роль у сучасному житті. Вони впливають на поведінку людини, її працездатність, здоров'я, взаємини з оточуючими тощо. Сьогодні існує низка факторів, які зумовлюють появу у дітей шкільного віку психоемоційного стресу, який, при відсутності належної психологічної корекції, адекватних змін умов навчання та виховання, може формуватись у стійкі властивості особистості та деформувати її подальший розвиток, стати причиною погіршення успішності навчальної діяльності, поведінки, зумовити порушення взаємин з учнями, стати причиною серйозних порушень здоров'я.¹¹⁰ Особливо це актуально для дітей, що мешкають в районах зони військового конфлікту на Сході України та на лінії розмежування.

Аналіз науково-методичних джерел підтвердив, що проблемі психоемоційних стресів у підлітковому середовищі приділяли увагу багато фахівців В. В. Суворова¹¹¹, Л. Б. Наугольник¹¹², Т. Ф. Цигульська¹¹³, Ю. В. Щербатих¹¹⁴, які наголошують на негативну тенденцію цього явища серед сучасних підлітків. Тому дуже важливим є розробка програм заходів з профілактики психоемоційного стресу серед учнівської молоді у закладах освіти.

Метою даної роботи є вивчення основних причин виникнення психоемоційного стресу та розробка шляхів і засобів його профілактики. Перед собою ми поставили наступні завдання: 1) на основі аналізу наукових джерел визначити поняття «психоемоційного стресу», основні його причини і прояви у школярів підліткового віку; 2) дослідити особливості прояву психоемоційного стресу в учнів 9-х класів; 3) розробити програму профілактичної роботи щодо запобігання і подолання психоемоційного стресу та встановити її результативність.

Експериментальною базою дослідження було обрано заклад загальної середньої освіти І-ІІІ ступенів № 10 військово-цивільної адміністрації міста Торезьк Донецької області.

Поняття «стрес», основні фази стресу та теорію стресу вперше були розроблені канадським вченим Гансом Сельє. Він визначав, що стрес – це неспецифічна реакція організму на любі зміни умов, що потребують адаптації і пристосування.¹¹⁵

На думку В. В. Суворової, стрес – це функціональний стан організму, що виник в результаті зовнішнього негативного впливу на його психічні функції, нервові процеси чи діяльність периферичних органів.¹¹⁶

Всесвітня організація охорони здоров'я прийняла таке визначення: стрес – це неспецифічна реакція організму на будь-яку загрозу.¹¹⁷

Психологічний енциклопедичний словник дає таке тлумачення стресу: «Сукупність захисних фізіологічних реакцій, що виникають в організмі людини (чи тварини) у відповідь на вплив різних несприятливих факторів (стресорів)».¹¹⁸

¹¹⁰ Абабков В. О. (2004): Адаптація до стресу: основи теорії, діагностики, терапії, с. 11.

¹¹¹ Суворова В. В. (1975): Психофізіологія стресса.

¹¹² Наугольник Л. Б. (2015): Психологія стресу.

¹¹³ Цигульська Т. Ф. (2000): Загальна та прикладна психологія: як допомогти собі та іншим.

¹¹⁴ Щербатих Ю. В. (2008): Психологія стресса и методы коррекции.

¹¹⁵ Селье Г. (1982): Стресс без дистресса, с. 22.

¹¹⁶ Суворова В. В. (1975): Психофізіологія стресса, с. 18.

¹¹⁷ Всесвітня організація охорони здоров'я. Режим доступу: <https://www.who.int/ru>.

¹¹⁸ Психологическая энциклопедия. (2003), с. 613.

Проаналізувавши визначення, ми прийшли до висновку, що стрес – це індивідуальна неспецифічна реакція людини на досить сильний подразник.

Розглянемо основні види стресу (за Г. Сельє):

- еустрес – реакція, яка сприяє мобілізації людини, підвищує її адаптаційні можливості в умовах дискомфорту й небезпеки;
- дистрес – реакція, яка може зруйнувати людину, різко знизити ефективність її роботи і якість життя.¹¹⁹

У Центрі розвитку дитини Гарвардського університету ділять стреси на три категорії.

Позитивний стрес – це нормальна й важлива частина здорового розвитку. Приклади ситуацій, які можуть викликати позитивний стрес: перший день у школі, запрошення на побачення, усна доповідь або виступ на творчому вечорі.

Допустимий стрес – це більш серйозна та тривала форма стресу. Він виникає в результаті таких проблем і подій, як смерть бабусі чи дідуся, стихійне лихо, серйозна хвороба або травма.

«Токсичний» стрес супроводжує сильні, часті або тривалі нещастя, наприклад, фізичне або *емоційне насильство*, відсутність турботи, забуття, економічні труднощі або сімейні проблеми, такі як зловживання алкоголем чи психічні захворювання в сім'ї. Але, мабуть, найбільш вагомим стресовим чинником є відсутність *довірливих взаємин* дитини-підлітка з дорослими людьми, які могли б допомогти йому ефективно впоратись із таким стресом.

Л. А. Китаєв-Смик виокремлює наступні різновиди стресу:

- інформаційний стрес – це явище напруженого стану організму людини, яке виникає, коли вона не встигає приймати рішення, не справляється з поставленими завданнями і обов'язками;
- емоційний стрес – це явище напруженого стану організму при переживанні вини, гніву чи образи, у випадках глибоких протиріч чи конфліктів між людьми тощо;
- комунікативний стрес – це явище напруженого стану організму, викликане проблемами спілкування, що знаходить прояв у підвищеній подразливості, невмінні захиститися від комунікативної агресії, невмінні сформулювати відмову там, де це необхідно¹²⁰.

Треба також зазначити, що люди по-різному реагують на ситуації: для одних – виникає надмірне напруження, стрес, а для інших – ні. В такому випадку говорять про толерантність до фрустрації і стресостійкість. Стійкість до стресу – це загальна властивість організму, а не тієї ситуації, яка викликає напругу. Те, що для однієї людини може бути стресом, для іншої є нормальною ситуацією.

Тому учені розрізняють три ступені стресу:

- слабкий (психічний стан людини майже не змінюється, фізичних та фізіологічних змін не відзначається);
- середній (спостерігається загальна мобілізація психічної діяльності, часто не притаманна людині у звичайних обставинах: зібраність, організованість, підвищена розумова працездатність, кмітливність, впевненість у собі, блискавична реакція, стійкість до перешкод, активізація мовленнєвої активності тощо);
- сильний (погіршується свідомий контроль за виконанням діяльності, трапляються труднощі у зосередженні, запам'ятовуванні, мисленні, зростає кількість помилок, незвичних реакцій, неточності, посилюється роль автоматичних, стереотипних дій, які витісняють творчі, свідомі та довільні дії).¹²¹

¹¹⁹ Сельє Г. (1982): Стресс без дистресса, с. 34.

¹²⁰ Китаєв-Смык Л. А. Психология стресса, с. 57.

¹²¹ Щербатых Ю. В. (2008): Психология стресса и методы коррекции, с. 44.

Отже, стрес – це неспецифічна реакція організму на сильний подразник, яка проявляється у людей по-різному та залежить від суб'єктивного сприйняття ситуації як загрозової (чи незагрозової).

Коли людина потрапляє у стресову ситуацію і намагається адаптуватися до впливу стресу, то цей процес, згідно з Г. Сельє, проходить три фази:

1. Фаза тривоги. Під час цієї фази виробляється гормон адреналін, і весь організм приводиться у стан бойової готовності: частіше б'ється серце, підвищується тиск, напружуються м'язи. Організм готовий почати боротьбу, захистити себе нападом або запобігти новому удару. Помірний стрес під час цієї фази корисний, тому що він сприяє підвищенню працездатності.

2. Фаза опору. Організм витрачає свої резерви й вирішує завдання, які стоять перед ним. Але якщо ця стадія триває довго й організм не відпочиває, то сили закінчуються і починається третя фаза.

3. Фаза виснаження. З'являється слабкість, знижується працездатність. Організм потребує відпочинку. Якщо такого відпочинку немає, то людина може занедужати ¹²².

Багато дослідників стресу вважають, що люди наділені достатньою здатністю протистояти різкому і короткочасному стресу. Справжня проблема постає тоді, коли максимальне напруження людина переживає досить тривало: життя з батьками-тиранами, виснажлива робота, відчуття пастки ситуації, якої неможливо уникнути та ін.

Хоча шкільні роки часто вважають найщасливішим періодом життя, однак, не все так прекрасно, як здається на перший погляд. Особливо це характерно для підліткового періоду, який є перехідним етапом життя людини, повним протиріч, ускладнень у стосунках з іншими, криз і емоційних та гормональних сплесків. Тому саме підлітки найчастіше переживають стрес, причини якого найрізноманітніші:

1). Тиск однолітків. Деяким підліткам складно бути нарівні з усіма, схожими на однолітків, це стає причиною їх занепокоєння й часто переростає у стресовий стан.

2). Очікування батьків і вчителів. Кожному підлітку, щоб завоювати авторитет і повагу членів родини та оточення, необхідно отримувати хороші оцінки під час навчання та демонструвати стабільну високу успішність. Такий тиск часто позначається на психічному здоров'ї учнівської молоді.

3). Порівнювання з іншими. Коли батьки, учителі й родичі починають порівнювати різних дітей, це призводить до почуття невпевненості в собі, зниження самооцінки, проблем з концентрацією уваги, до появи комплексів тощо.

4). Напружені стосунки між батьками. Щоденні сварки або образливі сцени завдають довгострокової шкоди психіці підлітка.

5). Утрата коханої людини. Утрата не тільки означає смерть, але й може бути пов'язана з розбитими чи перерваними довгостроковими стосунками з особливим другом.

6). Хвилювання із приводу майбутнього або при підготовці до вступу у вищий навчальний заклад.

7). Цькування (*булінг*), негативні думки або почуття, а також усе, що призводить до *зниження самооцінки* ¹²³.

Боротьба зі стресовими факторами тим чи іншим чином може призвести до певних наслідків.

На фізіологічному рівні організм миттєво реагує на потенційну небезпеку. Це виявляється в інстинктивному бажанні усунути причину стресу або ж, навпаки, уникнути зіткнення з нею. Тому фізіологічну реакцію на стрес визначають, як «боротися чи втікати». У

¹²² Суворова В. В. (1975): Психофізіологія стресса, с. 34.

¹²³ Психологія дитини. Режим доступу: <https://childdevelop.com.ua/articles/psychology/444/>.

важку хвилину організм мобілізує всі резерви: частішає дихання, пришвидшується серцебиття, напружуються м'язи. Це дуже важливо в екстремальній ситуації, коли людина змушена докласти надзвичайних зусиль, діяти негайно заради свого порятунку. Проте так само організм реагує і на стрес, викликаний іншими, не такими критичними обставинами: несподіваною контрольною у школі або сваркою із близькою людиною.

На психологічному рівні стрес викликає у людини неприємні відчуття – занепокоєння, страх, гнів. Ознаками стресу є також збудженість, агресивність, дратівливість, втрата почуття гумору, неможливість зосередитися на виконанні повсякденних справ. Може виникнути відчуття втрати контролю над собою і ситуацією, почуття безпорадності, пригніченості, безнадії. Страх, викликаний стресом, може спричинити паніку.

Стрес позначається і на поведінці людини. Щоб позбутися стресу, люди іноді починають зловживати алкоголем, палити, замість того щоб розв'язувати проблеми, впадають у бездіяльність і апатію.

Отже, причини виникнення стресу саме у підлітків тісно пов'язані з їх особистими переживаннями та зовнішніми факторами. Але якщо вчасно розпізнати ці проблеми, можна запобігти багатьом розладам, пов'язаним із тривожним і стресовим станами.

Нами проводилося емпіричне дослідження під час якого вивчалися особливості прояву психоемоційного стресу в учнів підліткового віку. Вибірку склали 39 учнів 9 класів закладу загальної середньої освіти I-III ступенів № 10 військово-цивільної адміністрації міста Торецьк Донецької області. Всі опитані навчаються в однакових умовах, проживають на території селища міського типу Північне, спілкуються між собою під час культурно-масових заходів, які систематично проводяться в школі.

В рамках дослідження рівня психоемоційного стресу серед учнівської молоді були використані наступні методи: анкетування «Фактори, що впливають на психоемоційний стан учнів» (авторська розробка); тестування «Самооцінки психічних станів» Г. Айзенка та «Самооцінки рівня стресостійкості» С. Коухена та Г. Вілліансона, бесіди з учнями, методи математико-статистичної обробки фактичних даних.

За результатами анкетування виявлено 3 основні фактори, які впливають на нестабільний психологічний стан учнів: 1 – життя на лінії розмежування; 2 – непорозуміння з боку дорослих; 3 – підліткові проблеми (сварки з друзями, перше кохання, шкідливі звички).

За результатами тестування з «Самооцінки психічних станів» Айзенка ми виявили наступне:

Шкала тривожності: 11 учнів (28%) мають низький рівень тривожності, їм притаманний спокій, врівноваженість, почасти байдужість і холоднокрівність; 22 учні (58%) мають середній або допустимий рівень тривожності, вони характеризуються залежністю від обставин і ситуацій; 6 учнів (14%) мають високий рівень тривожності, для них характерно висока напруженість, переживання тривоги, неспокою, невизначеності, безпорадності, безсилля, незахищеності, самотності, що загрожує невдачі, неможливість прийняти рішення та ін.

За шкалою фрустрації ми отримали такі дані: 9 учнів (23%) мають низький рівень фрустрації, їм притаманна стійкість до стресу та до невдач, прагнення не зупинятися на досягнутому, соціальна сміливість; 27 учнів (69%) віднесли до середнього рівня фрустрації. Це означає, що фрустрація має місце у житті таких учнів, однак вони поведуться залежно від обставин і легко відновлюються, повертаються до норми. Високий рівень фрустрації діагностували у 3 учнів (8%). Для них характерна низька самооцінка, переживання високої тривожності, апатії, безвиходу, інколи і «життєвого кута».

За шкалою агресивності можна зробити висновок, що 16 учнів (41%) не є агресивними, стримані, спокійні. 23 учні (59%) притаманний середній рівень агресивності, що характеризується зміною настрою, такі люди намагаються стримувати свою агресію.

Аналізуючи дані за шкалою ригідності, ми отримали такі результати: у 22 учнів (56%) – ригідності не виявлено, що свідчить про те, що ці особи легко переключаються з однієї справи на іншу, не бояться змін у житті, гнучкі і сенситивні. Середній рівень, який виявлено у 15 учнів (38%), свідчить про вплив настрою та їх бажань на поведінку та діяльність. Сильно виражена ригідність у 2 учнів (6%), такі підлітки важко і довго пристосовуються до нових умов, більш консервативні, не гнучкі, мають особисті принципи та установки і не згодні ними поступатися.

Вивчаючи результати тестування рівня стресостійкості досліджуваних підлітків отримали наступні результати:

- 10 учнів (26%) продемонстрували рівень нижче від середнього, що свідчить про те, що такі респонденти є не стійкими до стресу і напруження, легко піддаються впливу негативних подій, конфліктів. Важко переживають напруження як на психологічному, так і фізіологічному рівні.

- 21 учень (54%) віднесли до середнього рівня стресостійкості. Ці респонденти схильні до переживань стресових ситуацій, однак після закінчення дії подразника, швидко відновлюються, заспокоюються, повертаються в норму. В напружених ситуаціях шукають ефективні шляхи виходу, а не впадають у розпач.

Наступним рівнем стресостійкості є вищий від середнього. До нього ми віднесли 6 учнів (15%), що свідчить про те, що ці підлітки хоч і піддаються впливу напружених ситуацій, однак активно протидіють їм, продукують різноманітні шляхи виходу тощо.

Ще одним рівнем у нашому дослідженні є високий рівень стресостійкості, до якого віднесли лише 2 учні (5%), у яких чітко проявляється толерантність до фрустрації у напружених ситуаціях.

Після аналізу результатів тестування ми прийшли до висновку, що надмірне напруження і стрес має негативний вплив на психофізіологію підлітків, знижує їхню працездатність, стабільність, рівень протидії негативним чинникам. Отже є очевидним, що підлітки потребують надання психологічної допомоги і потребують профілактичної роботи по запобіганню виникнення стресу. З цією метою нами було створено методичний кейс:

- пам'ятка «Як подолати стрес»;
- пам'ятка «Ефективні засоби зняття емоційної напруги»;
- медіатека «Виявлення та подолання стресу в учнівському середовищі», матеріали якого активно використовувалися на уроках біології, основ здоров'я, виховних годинах.

Після проведеного дослідження всі учні були поділені на 3 групи: 1 група, для яких основним фактором стресу є життя на лінії розмежування; 2 – нерозуміння з боку дорослих; 3 – підліткові проблеми (сварки з друзями, перше кохання, шкідливі звички).

З учнями 1 групи заняття та індивідуальні консультації проводила практичний психолог школи Бичиніна Я. С., яка працювала за спеціально розробленим нею планом з використанням індивідуальних та групових форм роботи з учнями.

Для 2 групи було проведено сумісні тренінги для батьків та дітей «Діти – відображення батьків», «Батьки і діти: мистецтво спілкування», які покращили взаєморозуміння між ними.

Для 3 групи було проведено низку тренінгових занять за програмою «Вчимося жити разом» «Як протидіяти тиску однолітків», «Ефективне спілкування», «Запобігання конфліктів та їх розв'язання».

Також було організовано роботу консультпункту з надання інформації за запитом учнів. Проведені заняття «Як знизити напругу перед написанням контрольної роботи», «Вправи для подолання тривоги перед публічними виступами» тощо.

Профілактичні заходи проводились протягом 6 місяців. По закінченні було проведено контрольне опитування досліджуваних респондентів. Результати наступні:

- 13 учнів (3% вибірки) продемонстрували рівень стресостійкості вище від середнього, що свідчить про те, що такі діти є толерантними до фрустрації, готові до дій в ситуаціях напруженості, окремі невдачі сприймають як життєві уроки;

- 23 учні (59%) середнього рівня стресостійкості. Підлітки, яких віднесли до цієї групи хоч і схильні до стресових ситуацій, але здатні вирішувати їх ефективно, не впадають у розпач. Почасти переживають сильні емоції, фрустрацію, потребують часу, щоб заспокоїтися і оволодіти ситуацією.

Наступним рівнем стресостійкості є нижчий від середнього – це 3 учні (8% досліджуваної вибірки). Ці школярі легко піддаються впливу негативних подій, конфліктів і потребують допомоги зі сторони, щоб оволодіти ситуацією і приборкати свої емоції. Не здатні швидко самостійно вирішувати ситуацію, розгублюються, вагаються. Їх психічна енергія націлена швидше на те, щоб оволодіти собою, своїми переживаннями, а не на продукування ідей і способів виходу із ускладненої ситуації.

Результати повторного анкетування показують, що профілактична робота дала плідні результати і сприяла підвищенню рівня стресостійкості підлітків. Отже, стрес не є чимось фатальним, і його можна перемогти. Це індивідуальна реакція кожної людини. В її основі лежить ставлення до певної ситуації, а також думки й почуття. Змінюючи свої думки, ставлення до ситуації, людина отримує можливість знизити рівень стресу, оволодіти власним станом і конструктивно вирішувати життєві задачі.

Висновки. Таким чином було визначено, що стрес – це неспецифічна реакція організму на сильний подразник, яка проявляється у людей по-різному і залежить від особливостей психічного відображення самої ситуації як загрозової та має свій індивідуальний рівень прояву.

Стрес може сприяти як позитивним, так і негативним змінам у емоційному, фізіологічному стані людини та може бути викликаний як зовнішніми, так і внутрішніми причинами.

Тривала дія факторів стресу на підлітків (непорозуміння з дорослими, боулінг тощо) може призвести до розвитку «токсичного» стресу та негативно вплинути на психологічне здоров'я та здатність учнів продуктивно вчитись, вибудовувати довірливі, міцні взаємини з оточуючими тощо.

Основними причинами психоемоційної напруги досліджуваних підлітків є проживання на лінії розмежування, непорозуміння з дорослими, особистісні переживання (перше кохання, булінг, сварки з друзями).

У ході дослідження було виявлено, що всі учні піддаються як психологічному, так і фізіологічному впливу негативних подій, конфліктів і тому переживають стрес, однак реагують на напруження по-різному. Це пов'язано з індивідуальним рівнем стресостійкості, фрустраційної толерантності. Після проведеної профілактичної роботи з підвищення рівня стресостійкості серед учнівської молоді вдалося суттєво покращити результати. Було зафіксовано позитивну динаміку зростання стресостійкості у учнів експериментальної групи. Це може свідчити про ефективність розробленої нами програми профілактико-корекційних заходів.

Література:

1. Абабков В. О. Адаптація до стресу: основи теорії, діагностики, терапії / В. О. Абабков. – СПб.: Речь, 2004. – 166 с.
2. Китаев-Смык Л. А. Психология стресса / Л. А. Китаев-Смык. – М.: Изд-во. Наука, 1983. – 272 с.
3. Наугольник Л. Б. Психология стрессу: підручник / Л. Б. Наугольник. – Львів: Львівський державний університет внутрішніх справ, 2015. – 324 с.

4. Психологическая энциклопедия / Составители: Р. Корсани, А. Ауэрбах. – 2 изд. – СПб.: Питер, 2003. – 1094 с.
5. Селье Г. Стресс без дистресса / Селье Г. – М.: «Прогресс», 1982. – 32 с.
6. Суворова В. В. Психофизиология стресса / В. В. Суворова. – М.: Изд-во Педагогика, 1975. – 206 с.
7. Цигульська Т. Ф. Загальна та прикладна психологія: як допомогти собі та іншим. Курс лекцій: навч. посіб. / Т. Ф. Цигульська – К.: «Наукова думка», 2000. – 191 с.
8. Шевченко О. Т. Психологія кризових станів: навч. посіб. / О. Т. Шевченко – К.: Здоров'я, 2005. – 120 с.
9. Щербатых Ю. В. Психология стресса / Щербатых Ю. В. – М.: Изд-во Эксмо, 2008. – 304 с.
10. Щербатых Ю. В. Психология стресса и методы коррекции / Щербатых Ю. В. – СПб.: Питер, 2008. – 256 с.

1.11. Peculiarities of psychological support of the combat-training of future specialists of extreme profile

1.11. Особливості психологічного забезпечення службово-бойової підготовки майбутніх фахівців екстремального профілю

Питанням психологічного забезпечення професійної освіти приділялася значна увага багатьма дослідниками І. О. Баєва, Г. О. Балл, М. А. Дмитрієва, О. В. Землянська, Л. М. Карамушка, Т. В. Кудрявцев, О. М. Леонтьєв, С. Д. Максименко, В. О. Моляко, Г. С. Нікіфоров, В. А. Семіченко, А. О. Реан, Н. В. Чепелева, Ю. М. Швалб, І. С. Якіманська, В. О. Якунін та ін. Але проблема комплексного психологічного забезпечення службово-бойової підготовки майбутніх офіцерів до цього часу не стала предметом всебічного системного наукового дослідження.

В теперішній час одним із першочергових завдань є підготовка сучасних офіцерів, формування у них професійних якостей, необхідних для захисту Батьківщини. Військова служба офіцера завжди пов'язана з екстремальними умовами, елементами ризику, можливістю отримати травму, шкоду для здоров'я, втратити життя. Навіть повсякденна діяльність проходить в умовах впливу багатьох несприятливих факторів монотонії, депривації тощо, які визивають зниження адаптаційних можливостей, психічне напруження, психічні розлади, що приводить до зниження працездатності. Проведений аналіз службово-бойової діяльності показує, що в сучасний час військовослужбовці переважно зосереджуються на вирішенні типових, нормативних професійних функцій та завдань, тобто виконавчий стороні, при їх виконанні у структурі професіоналізму офіцерів переважає професійна компонента знань, психологічним складовим не приділяється достатньої уваги, що негативно впливає на ефективність праці. Зумовлюється це тим, що існують протиріччя між вимогами реальної праці у військових частинах та організацією навчально-виховного процесу у вищих навчальних закладах освіти. Дослідженню цієї проблеми присвячені праці О. В. Барабанщикова, С. П. Бочарової, А. М. Зельницького, В. О. Лефтерова, Г. В. Ложкіна, В. І. Осьодла, І. І. Приходька, В. В. Стасюка, О. В. Тімченка, В. В. Ягупова, де висвітлюються такі причини зниження успішності професійної підготовки офіцерів, як: відставання вимог сучасної освіти від стану та потреб військ; технології навчання, структура змісту навчання мають незначну адаптацію до потреб вищої військової освіти; неоптимальні міждисциплінарні зв'язки; недоліки професійного відбору тощо. Також до них відносять: недостатню повноту деяких дидактичних форм та неоднозначність психолого-педагогічних підходів формування психологічної готовності майбутнього офіцера до складної, різнобічної професійної діяльності; здійснення ознайомлення з предметом майбутньої діяльності курсантів та подальшим його вивченням переважно у дистанційній формі; відсутність цілісної інформації в навчальному процесі про явища і процеси, з якими має справу офіцер в реальних умовах діяльності, складність котрих вимагає самостійного орієнтування в вирішенні різних професійних проблем; відсутність у молодих офіцерів необхідного досвіду та ін.

Вирішення цього завдання складається з удосконалення змісту та підвищення якості навчально-виховного процесу у військовому вищому навчальному закладі (ВВНЗ), надбанні курсантами уявлення про зміст і особливості спеціальності, формування необхідного рівня професійних знань, умінь та навичок, посилені спрямованості на професійну військову діяльність, що в подальшому повинно визначати успішність виконання службово-бойової діяльності.

Актуальність проблеми, яка досліджується полягає в тому, що зміни в суспільстві, сучасні знаряддя, засоби, умови, середовище праці вимагають від вищої освіти формування

у майбутнього офіцера всебічного досвіду, динамічної підготовки, оптимального психічного ресурсу, що дозволить йому ефективно вирішувати професійні проблеми в різних умовах діяльності, при цьому не зупинятися у своєму розвитку, як особистісному, так і професійному. Тобто термін його адаптації до реальних умов службово-бойової діяльності повинен бути незначним, не потрібна додаткова професійна підготовка, рівень розвитку професійно важливих якостей дозволяти успішно виконувати професійні функції протягом тривалого часу.

Проведений аналіз показує, що основним напрямком системи підготовки у вищій школі є показники успішності навчання фахівців, пріоритет у службово-бойовій підготовці офіцерів зміщений у бік їх когнітивної складової. Однак не звертається належної уваги на формування у курсантів професійної мотивації, необхідного рівня розвитку професійно значущих якостей, спеціальних здібностей, професійного мислення, ціннісних орієнтацій та деяких інших психологічних особливостей, які забезпечують ефективність виконання завдань у складних умовах службово-бойової діяльності. У кращому разі вони розглядаються як супутні або другорядні за значущістю. Також, необхідно зазначити, що в багатьох дослідженнях визначається розбіжність показників ефективності виконання професійних функцій в реальних умовах з високими показниками успішності навчання. Здебільшого це пов'язане з тим, що не співпадають критерії оцінювання теоретичної підготовки і виконання реальних професійних завдань. На цей аспект професійної підготовки фахівців зверталась увага в роботах В. П. Беспалька, С. П. Бочарової, І. Я. Лернера, С. Д. Максименка, І. І. Приходька, Н. Ф. Тализіної та ін. Крім того, такі складові професійної діяльності офіцерів як керівництво, виховання, навчання особового складу, психологічна робота з ним ураховуються незначною мірою в організації навчально-виховного процесу, що викликає в подальшому значні труднощі під час адаптації та роботи в військових підрозділах. Це підтверджується тим, що вирішення цих завдань не відображено в основних нормативних документах, які визначають професійну підготовку майбутніх офіцерів.

Тому ми можемо стверджувати, що реальний рівень готовності випускників ВВНЗ не надає їм можливості ефективно виконувати професійні завдання в різноманітних умовах діяльності, вони не мають навичок постійного професійного та особистісного саморозвитку, тобто особистісно-орієнтований підхід у навчанні залишається нереалізованим. Здійснюється звуження цілей військової освіти, орієнтація курсантів на набуті знання як основний фундамент службово-бойової діяльності, відчуття дефіциту яких в подальшому зумовлює відхід при виконанні нестандартних, важких, незвичних ситуацій і завдань. Діяльність офіцерів є сукупністю різних напрямків техніко-технологічного, організаційного, дослідницько-проектувального, психологічного, педагогічного тощо. Вони потребують наявності у офіцера вміння швидкого переходу від рольових відносин до особистісно-сміслових, що не завжди здійснюється успішно. Одним зі шляхів виходу з такої ситуації В. І. Осьодло вбачає реалізацію компетентнісного підходу.

В основі розробки психологічного забезпечення службово-бойової підготовки майбутніх офіцерів технічного профілю покладені принципи професійного навчання. Необхідно зазначити, що аналіз робіт багатьох дослідників показав, що принципи побудови технології професійного навчання мають недостатню розробленість, але в працях деяких з них визначені найбільш важливі М. А. Дмитрієва, Л. Н. Корнеєва, М. С. Корольчук, Г. С. Нікіфоров, Ф. Янушкевич тощо. Принцип діяльнісного розуміння професії реалізується при формуванні навчального плану, програм, змісту навчання тощо. Принцип обґрунтованої побудови технологій професійної підготовки (принцип науковості) означає, насамперед те, що прийняті в процесі навчання рішення повинні базуватися на об'єктивних наукових фактах. Принцип відповідності технологій професійної підготовки сучасним світовим тенденціям розвитку фахової освіти включає відповідність трьом глобальним процесам:

фундаменталізації професійної освіти, індивідуалізації професійної освіти, гуманітаризації професійної освіти. Принцип безперервного відновлення змісту професійної підготовки включає: оптимізацію навчального плану конкретної спеціальності, виключення з навчальних програм малозначимого матеріалу, врахування міжпредметних зв'язків у процесі професійної підготовки, структурування навчального матеріалу. Принцип відтворення процесу навчання і його результатів розглядається в трьох аспектах: перший – стосується явищ у макромасштабі, тобто в масштабі цілісних освітніх систем, другий – пов'язаний з можливістю повторення циклів навчання, третій аспект - можливість відтворення конкретної дидактичної техніки на будь-якому етапі та ситуаціях професійного навчання.

В роботах В. І. Осьодла, І. І. Приходька, В. В. Ягупова та ін. зазначається, що умовами реалізації цілей професійної підготовки офіцерів в рамках ВВНЗ є відповідні технології, зміст навчання та освітнє середовище.

Основними елементами змісту професійної освіти офіцера є:

- а) наукові знання про об'єкти і процеси навколишнього світу;
- б) нормативні уявлення про основні види і способи професійної діяльності випускника;
- в) ціннісне ставлення до об'єкта вивчення і професійної діяльності;
- г) способи професійного і наукового мислення.

Визначається, що у світлі гуманітаризації та фундаменталізації освіти засвоєння наукових знань є чинником соціально-культурної автономії, особистісної і професійної мобільності, самореалізації офіцера.

Уявлення про особливості професійної діяльності офіцера дозволяє визначити нормативні техніко-технологічні фактори функціонування і взаємодії фахівця. При цьому, це мають бути типові ситуації професійної діяльності, нормативні моделі поведінки і способи вирішення професійних завдань, основні етапи, закономірності і технології розвитку професіоналізму офіцера.

Ціннісні відносини майбутнього фахівця у сфері професійної діяльності є важливим елементом змісту освіти. Формування ціннісних пріоритетів, засвоєння позитивних ціннісних відносин, їх розвиток є одним з складних завдань вищої школи, вирішення котрого надає офіцеру можливість самовизначення та самовдосконалення.

Однією з найважливіших складових психологічного забезпечення професійної підготовки є мотивація навчання, котра має достатньо багато напрямків. Це і соціальні мотиви, які спираючись на соціальну значущість професії спонукають здійснювати підготовку в даному напрямку, професійні мотиви, які спонукають курсантів засвоювати конкретні професійно значущі знання, вміння та навички задля майбутнього становлення як професіонала, пізнавальні мотиви, які спираються на інтерес до відповідної діяльності, сфери знань, мотиви соціальної ідентифікації тощо. Мотивація є одним з ключових чинників успішності професійно-навчальної діяльності особистості, від характеру котрої багато в чому залежить активність, наполегливість, бажання курсанта досягти поставленої мети під час службово-бойової підготовки. К. М. Гуревич визначає необхідність вивчення мотивів професійної діяльності людини тим, що у фахівців повинна бути створена стійка система позитивних професійних мотивів, при будь-яких природних даних особистості. У роботах значної кількості дослідників робиться наголос на те, що на успішність навчальної діяльності у вузі впливають такі компоненти системи професійного розвитку, як ціннісно-сміслові орієнтації, пріоритетні мотиви навчальної та професійної діяльності, професійна спрямованість, взаємозв'язок мотивації досягнення і вольових якостей особистості. Ю. М. Орловим при вивченні впливу мотиваційної сфери на успішності професійно-навчальної діяльності було встановлено, що рівень академічної успішності зростає при наявності потреби досягнення, вплив котрої посилюється зі зростанням успішності, знижує труднощі навчання, викликає задоволеність навчальною діяльністю.

Сучасні підходи до організації психологічного забезпечення службово-бойової підготовки майбутніх офіцерів дозволяють активізувати мотивацію курсантів під час засвоєння навчального матеріалу, особливо за рахунок прикладів його практичного застосування, зменшити дистанцію між теоретичною і практичною сторонами навчального процесу, забезпечити включення в процес службово-бойової підготовки всіх елементів психічної діяльності курсантів, забезпечити оптимальне формування розумових дій, індивідуальний підхід, реальний зворотний зв'язок між курсантами, викладачами та офіцерами на всіх етапах підготовки. Ефективна організація службово-бойової підготовки не можлива без створення відповідної мотиваційної сфери яка визначає як зовнішню так і внутрішню активність курсантів під час навчання.

Також, важливим елементом психологічного забезпечення службово-бойової підготовки майбутніх офіцерів технічного профілю являється професійне мислення, котре включає технічне, технологічне, організаційне тощо, є елементом змісту навчання, важливою детермінантою розвитку суб'єктного досвіду, дозволяє офіцерові забезпечити комплексний вплив на вирішення поставлених завдань, їх розвиток сприятиме виробленню адекватних відповідним ситуаціям дій, алгоритмів діяльності, поведінки. Особливості мислення є одним з важливих факторів успішності службово-бойової підготовки курсантів технічного профілю, де одне з провідних місць займає технічне мислення. У роботах Т. В. Кудрявцева, В. А. Моляко, І. С. Якиманскої й ін. авторів проаналізовано залежність технічного мислення від характеру завдань, застосування технічних знань, пов'язаних з технічною творчістю, тому що їх специфіка накладає певний відбиток на розумову діяльність людини, пред'являє до неї особливі вимоги. Необхідні якості технічного мислення формуються безпосередньо при вирішенні технічних завдань, в процесі навчання. Виявлення рівня розвитку технічного мислення дозволяє визначити успішність службово-бойової підготовки майбутніх офіцерів технічного профілю. Існуючі в сучасний час у ВВНЗ інформаційні пояснювально-ілюстраційні способи навчання мало сприяють інтелектуальному розвитку і творчому ставленню до навчання. Рівень розумового розвитку характеризується тим наскільки мислення підготовлено до функціонування в межах нормативу. Наближення розумової діяльності курсанта до виконання вимог навчальних програм залежить від того наскільки він володіє розумовими діями і з якими об'єктами він працює, здійснюючи дані дії.

Наші спостереження свідчать, що існуючі у вищому професійному навчальному закладі засоби навчання мало сприяють інтелектуальному розвитку і творчому ставленню до навчання і праці. У свою чергу, розвиток соціальних і пізнавальних мотивів, навчання раціональним прийомам вирішення професійних завдань дозволяє прискорити розумовий розвиток особистості майбутнього фахівця, створити сприятливі умови для розвитку його професійного мислення. При цьому необхідно ураховувати те, що формування професійного мислення повинно супроводжуватися і послідовною зміною змісту навчання від засвоєння структуродисциплін, котрі вивчаються, до змісту майбутньої професійної діяльності фахівця, забезпечення уміння актуалізувати минулий досвід і не тільки мати відповідні знання, але і застосувати їх щодо нових умов, вимог реальної діяльності. Формування професійних пізнавальних мотивів, навчання раціональним прийомам розумової діяльності дозволяє створити сприятливі умови для розвитку технічного мислення.

Виходячи з вищезазначеного можна стверджувати, що результат процесу навчання має передбачати формування у курсантів цілісної системи знань, умінь, навичок, способів мислення і ціннісного ставлення до дійсності.

Вирішенню такого завдання сприяє адекватність і ефективність запроваджених у ВВНЗ педагогічних технологій. Технологія навчання може бути розглянута як спосіб організації і здійснення освітнього процесу, опосередкованого застосування.

Разом з тим на цей час доводиться констатувати відсутність єдиних організаційно-психологічних орієнтирів, що виконують системотвірну функцію у проектуванні, доцільній диференціації та структуризації наявних у педагогічному арсеналі технологій навчання.

Спираючись на сучасні психолого-педагогічні положення і концепції, В. І. Осьодло визначив основні вимоги до побудови і здійсненню навчально-виховного процесу майбутніх офіцерів:

- залучення соціально-професійного контексту до змісту навчання, відтворення завдань на ціннісну рефлексію, оцінювання і вибір, проблемний пошук і самовизначення, а в цілому – професійно орієнтовану активізацію суб'єктного потенціалу слухачів (курсантів);

- опертя на особистий суб'єктний досвід слухачів (курсантів), апеляція до нього як чинника акумуляції ціннісних відносин і доцільних дій у проблемних ситуаціях, продукування альтернативних пояснювальних схем дійсності та їх смислового наповнення;

- відтворення за низкою психічних параметрів моделі реальної професійної діяльності і процесу професійного становлення майбутнього офіцера, відтворення найбільш суттєвих функціонально-технологічних та професійно орієнтованих ситуацій для полегшення у перенесенні сформованих навичок і умінь в реальні умови професійної діяльності;

- всебічне орієнтування слухачів (курсантів) у засвоєному матеріалі, розвиток у них навичок системного аналізу явищ і процесів;

- удосконалення форм педагогічної взаємодії, інтеграція логічного і соціально-психологічного аспектів засвоєння знань та аналізу слухачами (курсантами) елементів професійної діяльності;

- активна реалізація слухачами (курсантами) розумових функцій та організація їх багатосторонньої комунікації в умовах ігрового моделювання ситуацій і задач професійної діяльності;

- насиченість освітнього середовища професійно орієнтованими контактами з офіцерами, що мають багатий життєвий і професійний досвід;

- забезпечення узгодженості в міждисциплінарному структуруванні змісту навчальних дисциплін, які мають забезпечити його оптимальну достатність і необхідну взаємодоповнюваність;

- забезпечення релевантності методичних засобів та організаційних форм педагогічної взаємодії завданням формування відповідних знань, умінь і навичок, суб'єктних якостей офіцера.

Отже, зміст підготовки офіцера у ВВНЗ має відтворювати модель майбутньої діяльності, включаючи узагальнені способи подолання труднощів, і на її базі забезпечити входження офіцера у світ професії. При цьому основним результатом процесу навчання є не тільки знання й уміння, а способи мислення і діяльності, ціннісно-смислові орієнтації, які утворюють суб'єктний базис професійної компетентності та особистісного зростання офіцера.

У ВВНЗ однією з найважливіших умов досягнення якості підготовки курсантів до службово-бойової діяльності є психологічне забезпечення освітнього процесу, котре полягає у цілеспрямованому використанні психологічних знань, як в організаційному так і навчально-методичному напрямках. Г. С. Нікіфоров та група дослідників, під психологічним забезпеченням професійної підготовки мають на увазі систему психологічних знань, засобів психологічного впливу, спрямованих на підвищення успішності навчання, ставлять питання про його комплексність та безперервність, як необхідної умови професійного становлення фахівця.

На думку багатьох дослідників психологічне забезпечення навчально-виховного процесу у ВВНЗ включає наступні складові: типологізація особового складу за психологічними характеристиками, створення умов для особистісного та професійного

розвитку (акмеологічний підхід), психологічна діагностика; науково-практичні психологічні дослідження, пропаганда і поширення психологічних знань. Запропоновані В. І. Осьодлом вимоги до побудови і здійсненню навчально-виховного процесу майбутніх офіцерів визначають основні напрямки психологічного забезпечення їх службово-бойової підготовки. Воно починається з психологічного обґрунтування моделі фахівця і включає вирішення багатьох завдань: від формування професійно важливих якостей курсантів, оптимального стилю навчання, вмінь та навичок самостійної роботи до вдосконалення професійної діяльності викладачів, формування навчальної діяльності.

В системі психологічного забезпечення підготовки курсантів важливе місце займає безпосередня робота психологів, професорсько-викладацького складу, командирів підрозділів, котра направлена на збереження психічного здоров'я особистості, вирішення виникаючих як індивідуальних, так і групових психологічних проблем в підрозділах. Це потребує при його організації задіяти індивідуальний підхід до майбутніх офіцерів, тобто знати переважаючи мотиви службово-бойової підготовки, рівень загальної освіти, рівень розвитку професійно важливих якостей, загальні та спеціальні здатності, які дозволяють успішно оволодіти спеціальністю, а також особливості темпераменту, характеру, здійснювати оптимальний вибір методів дослідження тощо. Особливу увагу психологічному вивченню підлягають курсанти, що відстають у навчанні, систематично порушують військову дисципліну, що мають ознаки граничних захворювань психіки.

Одним з найважливіших елементів психологічного забезпечення службово-бойової підготовки є психологічна діагностика, яка пов'язана з усіма його напрямками і застосовується при вирішенні всіх структурних завдань. Психодіагностичні дослідження необхідно проводити систематично як підчас навчання, так і в повсякденному житті, в поєднанні спеціально розроблених програм з індивідуальною психодіагностикою. Це дозволяє здійснити поглиблене психологічне вивчення рівня розвитку психічних функцій, особливостей інтелектуального розвитку, особистісних властивостей, виявити курсантів, які мають певні труднощі у вищому навчальному закладі і потребують відповідної психологічної допомоги. Вирішення завдань психодіагностичних досліджень дозволяє визначити причини відхилення від психологічних вимог, які висувуються до особистості курсантів та службово-бойової підготовки, розробити відповідні корекційні програми їх усунення, зробити вибір найбільш оптимального психолого-педагогічного впливу на них. Отримана інформація повинна використовуватися для вирішення навчальних завдань, при організації та проведенні індивідуальної роботи з курсантами, розподілу на керівні посади молодших командирів, прогнозування успішності навчання та виконання службово-бойових завдань. Все це вимагає проведення цілеспрямованих досліджень, які пристосовані до проблем, які вирішуються під час службово-бойової підготовки.

Необхідно зазначити, що для ефективного застосування психологічного забезпечення службово-бойової підготовки майбутніх курсантів методами психологічної діагностики, формування у особового складу професійно значущих психічних властивостей повинні володіти не тільки спеціалісти-психологи, а також викладачі, офіцери, тому що основну діагностичну роботу, особливо пов'язану з контролем динамічних психологічних характеристик курсантів, викладачам і офіцерам доводиться виконувати самостійно під час навчання. Це допоможе їм своєчасно визначити труднощі, які виникають у курсантів під час навчання, розробляти необхідні програми для їх подолання, ефективно здійснювати постановку службово-бойових завдань, що, в свою чергу, дозволить підвищити успішність службово-бойової підготовки.

Таким чином, ми можемо визначити психологічне забезпечення службово-бойової підготовки майбутніх офіцерів технічного профілю як безперервний, комплексний процес цілеспрямованого використання психологічних знань та засобів психологічного впливу в

організаційному і навчально-методичному напрямах професійного навчання курсантів, направлений на створення позитивних умов для особистісного та професійного розвитку, який включає психологічне обґрунтування моделі військового фахівця, визначення вимог до професійного психологічного відбору до навчання, психологічний супровід службово-бойової підготовки та навчання, психологічне прогнозування успішності підготовки, дослідження котрого буде проведене в наступних розділах дисертації.

Вивчення даної проблеми буде продовжено в наших подальших дослідженнях.

Література:

1. Боснюк В. Ф. Психологічні особливості професійної відповідальності рятувальника / В. Ф. Боснюк // Проблеми екстремальної та кризової психології. Збірник наукових праць НУЦЗУ. – Харків. – 2016. – Вип.20. – С. 15-22.
2. Корольчук М. С. Соціально-психологічне забезпечення діяльності в звичайних та екстремальних умовах: навч. посіб. [для студентів вищих навчальних закладів] / М. С. Корольчук, В. М. Крайнюк. – К.: Ніка-центр, 2006. – 580 с.
3. Кучеренко Н. С. Нервово-психічна стійкість як один з факторів психологічного забезпечення службово-бойової підготовки майбутніх офіцерів внутрішніх військ України / Н. С. Кучеренко // Проблеми екстремальної та кризової психології. Збірник наукових праць НУЦЗУ. – Харків, – 2014. – Вип. 16. – С. 117-125.
4. Кучеренко С. М. Організаційні аспекти психологічного забезпечення успішності службово-бойової діяльності майбутніх офіцерів технічного профілю / С. М. Кучеренко, Н. С. Кучеренко // Науковий вісник Херсонського державного університету. Серія «Психологічні науки» – Вип. 1. – Т. 2. – Херсон, ХДУ, 2018. – С. 159-165.
5. Основи психологічного забезпечення діяльності МНС [підручник] / За заг. ред. проф. О. В. Тімченка – Харків: Вид-во УЦЗУ, 2009. – 217 с.
6. Осьодло В. І. Психологія професійного становлення офіцера: [монографія] / В. І. Осьодло. – К.: «Золоті Ворота», 2012. – 463 с.
7. Приходько І. І. Засади психологічної безпеки персоналу екстремальних видів діяльності: [монографія] / І. І. Приходько. – Х.: Акад. ВВ МВС України, 2013. – 745 с.

1.12. Psychological features of sanogenic thinking of cadets of NUCDU

1.12. Психологічні особливості саногенного мислення у курсантів НУЦЗУ

Актуальність теми. Процес становлення фахівця залежить не тільки від того, що людина може зробити в межах конкретної професії, тобто від рівня сформованості його знань, умінь, професійних навичок, а й від того, що вона захоче й може робити. Тому велике значення для професійної придатності має сфера його інтересів, обов'язків, планів, які визначаються широким комплексом економічних, соціальних, технічних, організаційних факторів, й разом з тим має власну внутрішню активність.

Мислення включається з того моменту, коли під впливом потреб визначається мета й в певній ситуації виникає перешкода до її досягнення: не вистачає або засобів або знань або здібностей, для того, щоб досягти цілей і задовольнити потреби. Це мислення є оперуванням в думці образами, символами, знаками для того, щоб прийняти правильне рішення. Коли ми вирішуємо проблеми внутрішні (наприклад, як ослабити біль, страждання від образи, або ревності, або пережиті невдачі), то це теж мислення, але воно має свій характер, оскільки переслідує не зовнішні, а внутрішні цілі. Наприклад, досягнення повнішої інтеграції нашого уявлення про себе і нашої реальної поведінки; а в деяких випадках воно спрямоване на те, що б підвищити радість і задоволення існуванням, або досягти сенсу життя.

Метою "мимовільного" мислення, обумовленого захисними механізмами, являється зниження страждання.

У "саногенному" мисленні цей процес протікає свідомо, довільно. Мета такого мислення також визначена свідомо. Ми, наприклад, можемо міркувати над ситуацією з метою не ображатися на інших. Але цьому мисленню нас ніхто ніколи не навчав. Тому познайомимось з тим, як воно влаштоване.

Якщо людина уміє роздумувати про емоції так, що його внутрішня напруженість зменшується, тим самим знижуючи вірогідність психосоматичних захворювань, то таке мислення і є саногенне, тобто здоров'я, що породжує. Ми повинні мислити позитивно, мислити саногенно - ось те, до чого ми повинні прагнути. І буде тоді у нас і настроїй хороший, і думки прекрасні, і усе це позитивно позначиться на нашому здоров'ї.

Саногенне мислення – це мислення, яке свідомо спрямовується на подолання негативних емоційних розладів і психічне оздоровлення людини. При цьому суб'єкт ніби відокремлює себе від власних переживань і спостерігаючи за ними, виробляє форму пристосування до них. Це мислення зменшує внутрішній конфлікт, дозволяє контролювати емоції, потреби та бажання і відповідно стає на заваді хворобам.

Також завдяки саногенному мисленню можливо здолати стрес.

У основі саногенного мислення лежить концепція емоцій, розглядаючи емоцію, як стійку систему, забезпечує пристосування людей до навколишнього середовища, до ситуації, до друг друга.

Що ж відомо науці про саногенне мислення? Досліджень небагато. Є роботи вітчизняних вчених (Е. М. Александровская, А. Б. Добровіч, И. В. Дубровина, А. И. Захаров, Н. Козлов, В. Леві, Ю. М. Орлова, В. Я. Семке, М. Тишкова і ін.). А також роботи зарубіжних фахівців (Р. Берне, К. Бютнер, Д. Джампольські, М. Джеймс, Д. Джонгвард, Е. Ле Шан, М. Раттер, З. Фрейд, К. Хорні та ін.),

До теперішнього часу в зарубіжній психології існують різноманітні методи розвитку конструктивного, раціонального мислення (Бек; Елліс; Мак Маллін). У вітчизняній психології першою стала методика навчання саногенному мисленню Ю. М. Орлова (Орлов). Його учнями та послідовниками були розроблені повчальні технології для молодших школярів і тренінгові програми для дорослих (О. С. Гребенюк; С. Н. Морозюк; Т. Н. Васильєва, та ін.).

Предмети і явища дійсності мають такі властивості і стосунки, які можна пізнати безпосередньо, за допомогою відчуття і сприйняття (кольори, звуки, форми, розміщення і переміщення тіл у видимому просторі), і такими властивостями і стосунками, які можна пізнати лише опосередковано і завдяки узагальненню, тобто за допомогою мислення.

Древні емоції були формою мислення, що виконувала найпростіші і самі життєво необхідні його функції. Емоції істотно впливають на мислення. Результат розумових операцій залежать від знаку емоцій Шингаров вказував на зв'язок емоцій з саморегуляцією.

Мислення – це процес (пізнавальна діяльність) продукт якої характеризується узагальненим і опосередкованим відображенням дійсності, воно диференціюється на види залежно рівнів узагальнення і характер засобів, які використовуються, залежно від новизни узагальнень і засобів для суб'єкта, а також залежно від ступеня активності самого суб'єкта мислення.

Мислення є одним із провідних, його вважають найвищим ступенем пізнання. Відображення на стадії мислення від чуттєвого пізнання на стадії сприймання тим, що мислення відбиває дійсність опосередковану, за допомогою семи засобів, зокрема мисленневих операцій, мови і мовлення, знань людини.

Мислення надає людині можливість відобразити й зрозуміти не тільки те, що може бути безпосередньо сприйняте відчуттями, а те що сховане від безпосереднього чуттєвого сприймання.

Також ми можемо сказати, що мислення – це предмет не тільки психології, а й філософії, логіки фізіології та багато інших наук. Принциповою є проблема саме виділення саме психологічного аспекту вивчення мислення, диференціацію цього аспекту від теоретико-пізнавального й логічного. З такої точки зору ми можемо визначити мислення, як найвищий ступень пізнання навколишньої дійсності, який характеризується узагальненістю й опосередкованістю. У різних підходах провідних вітчизняних психологів, таких як, Л. С. Виготського, О. М. Леонтьєва, Г. С. Костюка, С. Л. Рубінштейна, П. Я. Гальперина, можна виділити загальні положення щодо трактування мислення, як предмет психології.

Усі явища мислення не входять до предмета психології, необхідним є виділення спеціального аспекту вивчення мислення психологічною наукою.

Мислення процесуальне, або розгорнуте в часі, динамічне.

На думку С. Л. Рубінштейна, мислення як процес і мислення як діяльність, орієнтування як процес та орієнтування як орієнтовано-дослідницька діяльність дуже часто розглядаються як близькі або навіть синонімічні поняття.

Мислить суб'єкт, орієнтування також здійснює суб'єкт.

Людство завжди цікавило питання: як саме ми мислимо? Про це на думку американського вченого Дж. Ройса, ми могли б дізнатися з мозкових коливань, які можна записати. Однак мозкові коливання можуть розповісти нам про те, як людина думає, але вони ніколи не розкриють того, про що вона думає.

Природу мислення вивчали починаючи з XVII ст. Вчені-фізіологи вважають, що завдяки нейротрансмітерам (хімічній речовині) ми здатні мислити, мріяти, пам'ятати.

За вченням І. Павлова, мислення "...нічого іншого не становить, як асоціації, спершу елементарні, що стоять у зв'язку зі зовнішніми предметами, а потім домінуючі. В основі мислення лежать, як першо-сигнальні так і друго-сигнальні зв'язки з домінуванням останніх. Саме другі сигнали, або "сигнали сигналів", забезпечують спеціально людське, вище мислення.

Аналітико-синтетична діяльність кори головного мозку - основа людського мислення. Лауреат Нобелівської премії Дж. Екклс вважає мозок акцептором думки, а не її продуцентом. Він стверджує, що мозок лише приймає і обробляє чужі думки, а не продукує власні. Академік Н. Бехтерева лише частково погоджується з цією думкою. Якщо мова йде про щось

складне – теорії, гіпотези, концепції, – то тут під впливом певних емоційних станів у мозку іноді з'являється розв'язання проблеми.

Вчені-психологи, зокрема Дж. Брунер та А. Сперлінг, дійшли висновку, що люди думають не лише за допомогою мозку, але й усього тіла. Нервова система, без сумніву, відіграє основну роль у процесі мислення, тому що інтегрує усі інші частини організму, однак органи чуття м'язи, залози також виконують важливі функції у розумовому процесі.

Акт мислення – єдність знань, досвіду, інтелектуальних дій та власного ставлення до певної діяльності, бо мислить не просто мозок, а жива істота. На основі наявної інформації, здібностей, навичок і звичок людина асоціює, тобто встановлює зв'язки між предметами. Класифікацію асоціацій запропонував давньогрецький філософ Арістотель. Він вивів закони асоціацій за: схожістю, контрастом, суміжністю.

Мислення являє собою ядро інтелектуально – творчого потенціалу особистості, його активну складову. Саме через мислення відбувається процес цементування окремих пізнавальних процесів у єдиний блок – інтелект людини, бо воно забезпечує здатність людини будувати індивідуальну «картину світу», по-своєму, відобразити й розуміти навколишню дійсність, суб'єктивно розвивати й реорганізувати індивідуальний суб'єктивний досвід, головним чином досвід пізнавальної взаємодії з навколишнім середовищем. Також мислення – це процесуальне, тобто розгорнуте в часі, динамічне. Хід мислення рідко з самого початку є запрограмованим, сама детермінація мислення також створюється і розвивається під час мислення, тобто теж є процесом. Мислення як процес відбувається завдяки мисленнєвим діям та операціям. Мисленнєва дія – це дія з об'єктами, що відображені в образах, уявленнях та поняттях.

Є багато визначень мислення. Одне з них мислення – це процес опосередкованого й узагальненого відображення людиною предметів та явищ об'єктивної дійсності в їх істотних зв'язках і відношеннях.

Індивідуальні особливості мислення. Найістотнішими якостями, які виявляють індивідуальні відмінності мислення, є його особливості: самостійність, критичність, гнучкість, глибина, широта, послідовність, швидкість.

Самостійність мислення – характеризується вмінням людини ставити нові завдання й розв'язувати їх, не вдаючись до допомоги інших людей. Самостійність мислення ґрунтується на врахуванні знань і досвіду інших людей. Людина, якій властива ця якість, творчо підходить до пізнання дійсності, знаходить нові, власні шляхи і способи розв'язання пізнавальних та інших проблем.

Самостійність мислення тісно пов'язана з критичністю мислення.

Критичність мислення – виявляється в здатності людини не підпадати під вплив чужих думок, об'єктивно оцінювати позитивні та негативні аспекти явища або факту, виявляти цінне та помилкове в них. Людина з критичним розумом вимогливо оцінює свої думки, ретельно перевіряє рішення, зважує всі аргументи “за” і “проти”, виявляючи тим самим самокритичне ставлення до своїх дій.

Критичність і самостійність мислення великою мірою залежать від життєвого досвіду людини, багатства та глибини її знань.

Гнучкість мислення – виявляється в умінні людини швидко змінювати свої дії при зміні життєвої ситуації, звільняючись від закріплених у попередньому досвіді способів і прийомів розв'язання аналогічних завдань. Гнучкість мислення виявляється в готовності швидко переключатися з одного способу розв'язування завдань на інший, змінювати тактику і стратегію їх розв'язування, знаходити нові нестандартні способи дій за умов, що змінились, у здатності долати існуючі стереотипи.

Глибина мислення – виявляється в умінні проникати в сутність складних питань, розкривати причини явищ, приховані за нашаруванням неістотних проявів, бачити проблему там, де її не помічають інші, передбачати можливі наслідки подій і процесів.

Широта мислення – виявляється в здатності охопити широке коло питань, у творчому мисленні в різних галузях знання та практики. Широта мислення є показником ерудованості особистості, її інтелектуальної різнобічності.

Послідовність мислення – виявляється в умінні дотримуватись логічної наступності при висловлюванні суджень, їх обґрунтуванні.

Швидкість мислення – здатність швидко розібратися в складній ситуації, швидко обдумати правильне рішення і прийняти його.

Класифікація видів мислення

Предметом мислення людини є пізнавальні завдання, які мають різне змістовне підґрунтя і зумовлюють різне співвідношення предметно-дійових, перцептивно-образних та поняттєвих компонентів у їх розв'язанні. Залежно від цього розрізняють три головних види мислення: наочно-дійове, наочно-образне і абстрактне.

Залежно від характеру і змісту задачі, яку розв'язує людина, конкретні процеси мислення мають багато відмітних властивостей. Тому в психології існує кілька принципово різних підходів до класифікації цього процесу: 1) за формою відображення дійсності; 2) за рівнем узагальнення; 3) за характером проблем, що вирішуються; 4) за ступенем новизни продукту розумової діяльності; 5) за розгорнутістю в часі; 6) за характером впливу на емоційну сферу особистості.

За формою відображення дійсності мислення поділяють на наочно-дійове, наочно-образне й абстрактне, які є послідовними ступенями розвитку мислення людини в філогенезі й онтогенезі.

Проаналізуємо наочно-дійове мислення, воно ґрунтується на безпосередньому сприйманні предметів у процесі дій із ними. Воно є найтипівішим для дітей раннього (до трьох років) віку. Його розвиток тісно пов'язаний з оволодінням предметною діяльністю. Тут «поле зору» мислення збігається з полем дії. Дитина аналізує і синтезує об'єкти, що пізнає, об'єднуючи їх, порівнюючи між собою. Будь-яке розумове завдання розв'язується безпосередньо в процесі діяльності. Наочно-дійове мислення є одним із перших кроків дитини до опосередкованого пізнання свого оточення. У примітивній формі наочно-дійове мислення властиве тваринам.

Проаналізуємо наочно-образне мислення - це мислення образами, уявленнями, перетворення ситуації в образній формі. Воно виникає тоді, коли у дитини є достатній досвід практичних дій і, замість реальних, вона вдається до розумових спроб змінити ситуацію, уявляючи необхідні дії й одержані результати. Зв'язок із практичними діями хоч і послаблюється, але цілком не зникає. Дитина починає застосовувати замітники предметів, що сприяє появі й розвитку їх знакової функції.

Цей вид мислення тісно пов'язаний зі сприйманням конкретних ситуацій. Підтвердженням цьому є так звані феномени Піаже. Вони виявилися в дослідах із дітьми 2-4 років, під час яких дві склянки наполовину заповнювали водою. Потім воду з однієї склянки переливали в іншу склянку – меншого діаметру. Діти, які спостерігали за цим діями, стверджували, що кількість води у другій склянці збільшилася. Досліди показали, що у дітей цього віку ще не сформовано закону збереження маси речовини, а результат мислення пов'язаний зі сприйманням ситуації.

Наочно-образне мислення в основному характерне для дітей – дошкільників (3-7 років). Проте в розвинутій формі воно властиве і дорослим деяких професій: художникам, архітекторам, модельєрам тощо.

Проаналізувавши абстрактне мислення, ми можемо сказати, що воно реалізується як мислення за допомогою понять, які розкривають суть предметів і виражаються в словах і знаках. Абстрактне мислення відбувається у формі міркування за допомогою основних мисленнєвих операцій. Як основний засіб теоретичного освоєння дійсності воно інтенсивно розвивається в процесі навчання.

За рівнем узагальнення мислення поділяють на емпіричне і теоретичне.

Проаналізував ці два види мислення, ми виявили, що для емпіричного мислення характерне виділення і порівняння не тільки протилежних, різних, а й схожих, однакових, формально загальних ознак, які ототожнюють із суттєвими. У цьому процесі формується емпіричне знання, що не відображає реальної суті предметів. А теоретичне мислення (абстрагування) спрямоване на аналіз цілісної системи з метою виявлення внутрішніх закономірностей її становлення. Тому теоретичне мислення розкриває внутрішню, глибинну суть предметів і явищ. Це пізнання законів і правил.

За характером проблем, що вирішуються, мислення буває практичним і теоретичним. Проаналізуємо практичне мислення. Його суттю є підготовка до фізичного перетворення дійсності. Охоплює постановку мети, складання планів, схем, проектів. Як правило, все це відбувається за умови дефіциту часу й емоційних переважань, а прийняття рішення майже збігається з його втіленням у практику. Одним із різновидів практичного мислення є оперативне, характерне для діяльності оператора великих систем управління. Воно відбувається в екстремальних умовах, коли прийняття рішення і його виконання жорстко детерміновані часом, а переживання відповідальності вимагає великого емоційно-вольового напруження. А теоретичне мислення передбачає відкриття законів, створення правил, виявлення властивостей і сутності різних явищ. Воно дає людині змогу абстрагуватися від несуттєвих особливостей, подумки аналізувати власні дії, зіставляти з умовами поставленої задачі, шукати можливі (оптимальні) дії для її розв'язання.

Теоретичне мислення є основою для виховання творчої особистості.

За ступенем новизни продукту розумової діяльності мислення поділяють на продуктивне (творче) і репродуктивне.

Розглянемо продуктивне (творче) мислення. Продуктом такого мислення є принципово новий або вдосконалений образ певного аспекту дійсності. Воно має своєрідний перебіг, відзначається особливою складністю і потребує великої інтелектуальної активності суб'єкта.

Американський психолог Дж. Гілфорд охарактеризував творче мислення як оригінальне, гнучке, глибоке і нетривіальне. А його співвітчизники Г. Ліндсей і К. Халл дослідили причини відсутності творчого мислення у людей, передусім виокремивши такі серед них:

- нерішучість – як небажання мати смішний вигляд;
- конформність – як бажання не виділятися, бути таким, як усі;
- неадекватність в оцінці своїх ідей і як наслідок – їх приховування;
- чутливість до критики, тактовність, ввічливість, а тому – невміння постояти за себе, відкрито виступити, обґрунтувати свою думку, незважаючи на ставлення оточуючих.

Репродуктивне мислення. Виявляється у вирішенні проблем за наявним зразком, віднесення колінової нової проблеми до вже відомого типу.

Поділ мислення на продуктивне і репродуктивне є дуже умовним, бо у творчому мисленні є елементи репродуктивного, а в репродуктивному – прояви самостійності. Деякі вчені переконані, що мислення є завжди продуктивним.

За розгорнутістю в часі мислення буває дискурсивним та інтуїтивним.

Вивчивши ці два мислення ми можемо сказати, що дискурсивне мислення, будучи завжди розгорнутим у часі, виявляється в логічних строго послідовних міркуваннях, має чітко виражену послідовність етапів і високий рівень усвідомлення, що базується на

обґрунтованості попередніх суджень. А інтуїтивне мислення, відбувається дуже швидко, є згорнутим і мало усвідомленим, без чіткого вираження етапів. Воно схоже на раптовий акт пізнання, що здійснюється без достатніх логічних підстав. Таким є миттєво знайдений спосіб розв'язування задачі, над якою тривалий час марно міркували.

За характером впливу на емоційну сферу особистості виділяють патогенне та саногенне мислення.

Розглянемо патогенне (гр. pathos – біль, страждання і genesis – походження) мислення. Його зміст становлять роздуми, уявлення, пов'язані з образою, соромом, невдачею, страхом чи іншими негативними переживаннями. Ці переживання можуть підсилювати психологічне напруження і спричинювати психічні розлади. При цьому немає ніякого контролю за перебігом образів і думок.

Проаналізуємо детальніше саногенне (лат. sanitas – здоров'я і гр. genesis – походження) мислення, свідомо спрямовується на подолання негативних емоційних розладів і психічне оздоровлення людини. При цьому суб'єкт ніби відокремлює себе від власних переживань і, спостерігаючи за ними, виробляє форму пристосування до них. Це один з ефективних способів вирішення проблем, що травмують психіку, який ґрунтується на свідомому аналізі власних емоцій.

Саногенне мислення є одним з ефективних засобів розв'язування психотравмуючих проблем, який базується на свідомій їх постановці та розгляді, свідомому рефлексивному аналізі власних емоцій та емоціогенних (стресогенних) факторів. Згідно з "принципом єдиного інтелекту" Б. М. Теплова, всі проблеми, які вирішує людина, незалежно від їх специфіки розв'язуються за допомогою єдиного інтелекту. Отже, саногенне мислення – важливий компонент інтелекту людини, який відіграє принципову роль у розв'язанні власних, внутрішніх проблем особистості.

Саногенне мислення можна вважати одним з варіантів більш широкого поняття, такого як позитивне мислення (М. Мольц). Ідеться про створення й постійну підтримку, підкріплення позитивного образу власного "Я" внаслідок впливу успішних учинків і загалом життєвих успіхів. На думку М. Мольца, всі наші дії, почуття, вчинки, навіть здібності узгоджуються з цим образом власного "Я" через як свідомі, так і підсвідомі механізми саморегуляції. Саме тому так важливо, щоб цей образ був позитивним і не руйнувався в разі невдачі або інших помилок у поведінці, діяльності, навіть у житті.

Завдяки принципам позитивного мислення ніколи не буває пізно змінити уявлення про себе, створити цілісний позитивний образ власного "Я", і тоді життєві проблеми, в тому числі психотравмуючі, узгоджуючись із цим новим образом, розв'язуються легко, без надмірних зусиль. Однак для створення й підтримки позитивного образу власного "Я" необхідні такі риси інтелекту, як творче мислення й творча уява, тобто творчий механізм (М. Мольц).

Таким чином ми можемо сказати, що мислення вивчається вже доволі довгий період часу і досі до кінця є не вивченим. Це є актуальна тема для розгляду. Мислення – це процес (пізнавальна діяльність) продукт якої характеризується узагальненим і опосередкованим відображенням дійсності. Завдяки мисленню людина спроможна будь-яку діяльність, яка подобається особистості.

Патогенне мислення цілком звичайно, але містить такі яскраві риси, які сприяють напрузі психіки, формуванню реакцій і стереотипів поведінки, які втягують людину у конфлікти. Наслідком цього може бути погіршення психічного і соматичного здоров'я. Його зміст становлять роздуми, уявлення, пов'язані з образою, соромом, невдачею, страхом чи іншими негативними переживаннями. Ці переживання можуть підсилювати психологічне напруження і спричинювати психічні розлади. При цьому немає ніякого контролю за перебігом образів і думок.

Риси патогенного мислення найбільш повно представлені у працях Е. Берна, М. Джеймса, Д. Джонгарда, Ю. М. Орлова і Ф. Перлза. Коротко опишемо основні з них. Першою рисою є повна свобода уяви, мрійливість, відрив від реальності. Така мимовільність уяви легко актуалізує негативні образи, які супроводжуються негативними емоціями і інструментальними реакціями. Наприклад, обдумування образи призводить до обмірковування плану помсти, відчуттю приниженості, висновків про нікчемність життя і т.д.

Друга риса – невміння здійснювати акт припинення мислення, тобто стоп-реакцію. Структура акта патогенного мислення може бути представлена в наступному вигляді: роздум (уява) – переживання – закріплення образів (за законами навчання) – придбання великої енергії почуттів – накопичення негативного досвіду. Наприклад, акт спогади сорому, який отримав сильне негативне підкріплення, не стримується людиною, а знову і знову відтворюється їм, набуваючи величезну енергію почуттів.

У третій рисі розповідається про відсутність рефлексії, тобто нездатність розглядати себе і свою поведінку як би з боку. Це призводить до повного занурення в ситуацію навіть після того, як вона пройшла, ототожнення себе з негативно забарвленими образами уяви, до ненормальним поведінкових реакцій.

Четверта – тенденція тримати в собі і зберігати образу, ревності, сором, страх та ін. Ця риса патогенного мислення зазвичай поєднується з нерозвиненістю і неприйняттям принципів психогієни. Людина ніби віддає себе у владу негативного стану, не усвідомлює тенденції формування патології. Велике значення тут мають культурні традиції та стереотипи. Якщо традиційною є думка про те, що образа має бути відомщена, то природним буде збереження своєї образи, обдумування планів помсти.

У п'ятій розповідається про неусвідомленість тих розумових операцій, які породжують емоцію. Людина, що не знає як породжується емоція, не в змозі ні зрозуміти, ні контролювати автоматизовані дії розуму. Тому він ставиться до емоції як до реальності, яка не залежить від нього. Виникає відчуття безсилля, неможливості впоратися з ситуацією. Це породжує страждання, стреси, неврози.

Шоста – тенденція жити спогадами. Люди з патогенним мисленням рідко живуть в сьогоденні. Замість цього вони знищують даний, зосереджуються на своїх помилках минулого, жаліють себе і перекладають відповідальність за свої дії на інших. У таких людей немає опори і надії на майбутнє.

У сьомій – очікування негативних подій, нещастя в майбутньому. Деякі носії патогенного мислення живуть зі страхом майбутніх нещастя, викликають їх у своїй уяві і багаторазово програють за патогенному "сценарієм". Таким чином, ці люди турбуються надміру через своїх реальних і уявних передчуттів, займають свідомість думками, не відносяться до справи в поточний момент.

Восьма риса ховати своє справжнє обличчя під маскою. Більшу частину свого часу носії патогенного мислення відіграють ролі, прикидаючись, маніпулюючи, повторюючи ролі свого дитинства і нав'язані стереотипи поведінки. Примітно, що для грає ролі сама гра часто більш важлива, ніж реальність.

Дев'ята риса про уникання взаємної близькості (прихильності) і відторгнення чесних і відвертих відносин з оточуючими людьми. Замість цього формується або звичка маніпулювати іншими так, щоб ті чинили відповідно до їх очікуваннями, або тенденція жити, слідуючи передбачуваним очікуванням інших.

У десятій рисі розповідається про невміння ефективно використовувати свої інтелектуальні здібності. Люди з патогенним мисленням спрямовують свої розумові здібності на раціоналізацію і інтелектуалізацію. При раціоналізації вони намагаються надати своїм патогенним думкам слухним приводом, при інтелектуалізації – прагнуть засипати інших

порожнім красномовством. Саме з цієї причини багато потенційні можливості людини залишаються прихованими, нереалізованими і неусвідомленими.

Узагальнивши найбільш яскраві риси патогенного мислення, Ю. М. Орлов виділяє наступні форми його прояву:

- патогенний психологічний захист (агресія, страх, втеча у світ фантазії),
- патогенний характер емоцій (образ, провина, сором тощо);
- парадигма насильницького управління (рольові очікування, соціальний стереотип, помсту, загрози та ін.).

На відміну від патогенного саногенне мислення сприяє оздоровленню психіки, зняттю внутрішньої напруженості, усунення застарілих образ, комплексів. Саногенне мислення усвідомлено, довільно. Мета такого мислення також визначена свідомо. Наприклад, людина може роздумувати над ситуацією з метою не ображатися на інших або не ревнувати.

За так званого патогенного мислення стрес, напруженість можуть посилюватися й підвищувати ймовірність виникнення психічних розладів. Роздуми, думки, уявлення, пов'язані з образою, соромом, заздрістю, невдачею, страхом, ревнощами та іншими негативними емоційними переживаннями людини, становлять зміст патогенного мислення. Патогенному мисленню властиві цілковита свобода уяви, відсутність контролю над вільним перебігом образів і думок, відсутність рефлексивного аналізу свого мислення та неусвідомленість тих розумових операцій, які породжують емоцію. Отже, патогенне мислення має певні риси, через які можуть породжуватися розлади психіки - як її коливання в межах норми, так і патологічні відхилення.

Саногенне мислення, навпаки, сприяє подоланню негативних емоцій та психологічному оздоровленню людини. Для саногенного мислення характерний динамізм зв'язку особистості зі світом образів, у якому відображуються життєві ситуації. В процесі цього виду мислення суб'єкт відокремлює себе від власних переживань і спостерігає за ними; вія відтворює стресову ситуацію на тлі спокою та концентрації уваги, пристосовується до неї. Важливим є також розуміння людиною тих психічних станів, які контролюються (скажімо, розуміння природи страхів, сорому, образи тощо). Інакше кажучи" саногенне мислення вимагає досить високого рівня розвитку психологічної культури особистості.

Саногенне мислення є одним з ефективних засобів розв'язування психотравмуючих проблем, який базується на свідомій їх постановці та розгляді, свідомому рефлексивному аналізі власних емоцій та емоціогенних (стресогенних) факторів. Згідно з "принципом єдиного інтелекту" Б. М. Теплова, всі проблеми, які вирішує людина, незалежно від їх специфіки розв'язуються за допомогою єдиного інтелекту. Отже, саногенне мислення – важливий компонент інтелекту людини, який відіграє принципову роль у розв'язанні власних, внутрішніх проблем особистості.

Саногенне мислення можна вважати одним з варіантів більш широкого поняття, такого як позитивне мислення (М. Мольц). Ідеться про створення й постійну підтримку, підкріплення позитивного образу власного "Я" внаслідок впливу успішних учинків і загалом життєвих успіхів. На думку М. Мольца, всі наші дії, почуття, вчинки, навіть здібності узгоджуються з цим образом власного "Я" через як свідомі, так і підсвідомі механізми саморегуляції. Саме тому так важливо, щоб цей образ був позитивним і не руйнувався в разі невдачі або інших "помилки" у поведінці, діяльності, навіть у житті.

Насамкінець хотілося б звернути увагу на саногенне і патогенне мислення, які досліджуються Ю. М. Орловим. За ним, мислення має безпосередній вплив на емоційно-почуттєву сферу людини. Тому вона має керувати своїми емоціями та почуттями через розум, тобто через продуктивне й оздоровче мислення. Саногенне мислення сприяє подоланню негативних емоцій та психічному оздоровленню людини. Для такого мислення характерний динамізм зв'язку особистості зі світом образів, в якому відображуються життєві

ситуації. Саногенне мислення сприяє розв'язанню психотравматичних ситуацій. Воно ґрунтується на свідомій постановці та розгляді, свідомому аналізі власних емоцій і емоціогенних факторів, полягає у свідомій саморегуляції власною емоційно-вольовою сферою з оздоровчою метою, що особливо важливо у процесі діяльності в екстремальних ситуаціях, наприклад бойової підготовки.

Патогенне мислення, навпаки, створюючи емоційну напруженість, може посилювати та підвищувати ймовірність виникнення психічних розладів. Такому мисленню властиві цілковита свобода уяви, відсутність контролю над вільним перебігом образів і думок, відсутність аналізу свого мислення та неусвідомленість тих розумових операцій, які породжують емоцію.

Саногенне мислення, гасить "негативний заряд" ув'язнений в спогад про ситуації, в яких людина переживала страждання. Воно звільняє образи від цього заряду і тим самим знижує напруженість, викликану їм. Це відбувається за рахунок використання ефекту угасання, коли ситуації були у минулому дуже неприємними, "програються" в уяві в стані спокою і усунення. В результаті зростає терпимість до ситуацій, які раніше травмували, і знижується чутливість до них. Це не означає, що людина стане подібною до дерева, і на нього звичайні стимули не діятимуть. Але його особливість полягає в тому, що за ситуації, коли йому образливо, він переживатиме образу, та зате після, він усуне цю образу набагато швидше, ніж той, хто не володіє цим мисленням.

Основними рисами саногенного мислення є: по-перше, досить високий рівень зосередження і концентрації уваги на об'єктах роздуми. Як показали дослідження вчених, процес інтроспекції неможливий, якщо увага людини "плаває", розсіюється і не може зосередитися на розумових об'єктах інтроспекції. Здатності концентрувати і викликати необхідні образи рекомендується досягати практикою візуалізації об'єктів як реальних, так і розумових. По-друге, знання природи конкретних психічних станів, які потребують контролю. Так, роздум про образу передбачає знання того, як влаштована образа, яка її структура, від чого вона залежить і які можливі варіанти її прояви. Саногенне мислення неможливе без знання основ психології особистості, емоційно-вольової сфери (в першу чергу емоцій: образи, провини, сорому, заздрості, марнославства, розчарування, страху та інш.). По-третє, здатність до рефлексії, як уміння розглядати як би з боку свої негативні образи пам'яті, супутні їм емоції, свої вчинки й минулий досвід в цілому. Четвертою рисою є уміння створювати для рефлексії сприятливий фон глибокого внутрішнього спокою. Ю. Орлов переконаний, що якщо рефлексія здійснюється на тлі релаксації (розслаблення), то саногенне мислення дає згасаючий ефект: образи, насичені афектом, поступово звільняються від емоційного змісту, і відтворення їх у свідомості не викликає стресу. У цьому випадку людина як би пристосовується до ситуації, і коли вона повторюється, то гострі почуття вже не виникають. П'ята риса досить високий рівень загального кругозору і внутрішньої культури людини. Перш за все необхідно розуміння витоків походження стереотипів, програм культурного поведінки, історії культури. М. Джеймс і Д. Джонгвард назвали ці стереотипи культурними та субкультурними сценаріями. Знання їх сутності, витоків, можливих варіантів програвання в житті, психологічних наслідків – це найважливіші передумови саногенного мислення. Шоста риса – це уміння вчасно виконувати акт припинення мислення, тобто виконувати стоп-реакцію в ситуаціях емоційної напруги. Таким чином відбувається згасання "негативного заряду", укладеного як правило, у спогадах про ситуації, в яких людина переживав страждання. Людина, здатна виконати стоп-реакцію, припиняє процес навчання, провідний до закріплення актів патогенного характеру.

З усіх перерахованих рис саногенного мислення, на наш погляд, особливо-значущим є теза про вплив загального кругозору і внутрішньої культури людини. Кожна людина повинна

бути впевнений, що його поведінка визначається, насамперед, їм самим, а не культурними стереотипами.

Психологічна стійкість особистості робить її здатною, з одного боку, бути відкритою для життєвих обставин, що безперервно міняються, і наслідувати їх "виклик", а з іншою зберігати своє "Я" від "хаосу" ситуацій, що постійно змінюються, маючи гнучкість і пластичність, здібних реорганізувати систему, що склалася, цінностей, і тим самим визначати особовий розвиток. Проте при цьому залишається по суті головна проблема психологічної стійкості особи – генезис цієї соціально-психологічної якості. Ми вважаємо, що чинником, визначальним і формуючим цей психологічний феномен, є саногенна рефлексія.

Саногенна рефлексія, в розумінні С. Н. Морозюка, – це "розумові акти різного рівня організації, що виникають у відповідь на невизначеність ситуації і ведуть до визначення ситуації і вибору оптимального рішення". Саногенну рефлексію ми розглядаємо як основний психологічний механізм, який дозволяє усвідомити причини психологічної нестійкості і захисні програми поведінки, що стала неконструктивною.

Саморегуляція і саногенна рефлексія. Саморегуляція – це сутнісні інтеграційні психічні процеси, що пов'язані з регуляторною функцією психіки і забезпечують самоорганізацію різних видів психічної активності людини, його суб'єктну активність, цілісність індивідуальності і особи (В. И. Моросанова).

Потребнісно-мотиваційна сфера і саногенна рефлексія. Потребнісно-мотиваційна сфера є основою адекватного визначення ситуації (чи погрожує вона моєму "Я", яка потреба стала мотивом і яким мотивом в цій ситуації).

Ю. М. Орлов виділяв три потреби: потреба в афіліації, потреба в досягненнях і потребу в домінуванні, що і складає потребнісно-мотиваційний профіль особи.

Саногенна рефлексія допомагає усвідомити і позначити власні потреби і мотиви, відокремити їх від нав'язаних ззовні стратегій поведінки, уникнути виникненню ризику появи неадекватних і не адаптивних стратегій поведінки, тобто захисних механізмів.

Локус контролю і саногенна рефлексія. Локус контролю – поняття в психології, характеризує властивість особи приписувати свої успіхи або невдачі внутрішнім, або зовнішнім чинникам.

Акцентуація характеру і саногенна рефлексія. Велика роль в поведінці особи відводиться акцентуації характеру, якій властива підвищена уразливість до певного роду психотравматичним впливам, зверненням до місця найменшого опору цього типу характеру при збереженні стійкості до інших. Характер проявляється, передусім, в стереотипності поведінки, сприяючи стійкості, стабільності психічних і психофізіологічних станів, а також толерантності до невдоволення зовнішніх і внутрішніх умов діяльності. Таким чином, завдяки саногенній рефлексії людина здатна перервати дію неефективних, але звичних, стереотипних програм поведінки, що лежать в основі характеру.

Тривожність і саногенна рефлексія. Тривожність не слід розглядати в якості негативної риси. Певний рівень тривожності - природна і обов'язкова особливість активної особи. При цьому у кожного існує свій оптимальний індивідуальний рівень "корисної тривоги". Неадекватна, висока тривожність служить показником неблагополуччя особового розвитку, психологічної нестійкості, завдяки якій відбувається включення захисних механізмів і форм поведінки.

Таким чином, ми можемо сказати, що саногенне мислення допомагає здолати негативні емоції. Саногенне мислення можна вважати одним з варіантів більш широкого поняття, такого як позитивне мислення. Ідеться про створення й постійну підтримку, підкріплення позитивного образу власного "Я" внаслідок впливу успішних учинків і загалом життєвих успіхів. В нашій роботі ми розглядаємо такі негативні емоції, як вина, сором, образа та страх невдачі.

Провина – психічне ставлення особи до своїх протиправних дій або до бездіяльності та їхніх наслідків у формі умислу чи необережності. Вина є одним з елементів суб'єктивної сторони будь-якого правопорушення, а тому юридична відповідальність за загальним правилом можлива лише при винному вчиненні забороненого діяння.

Сором – почуття, що виникає у людини при здійсненні вчинків, що перечають вимогам моралі, принижують гідність особи. Вміст вчинків, що викликають відчуття сорому, має суспільно-історичний характер, залежить від еволюції норм моралі.

Образа це почуття, що виникає у людини тоді, коли, як він сам вважає, з ним обійшлися несправедливо. Образа виникає у відповідь на доставлене засмучення, образа, негативний відгук, насмішку, ігнорування прохання, заподіяння болю (фізичної чи душевної).

Страх і уникнення невдачі - захисна стратегія поведінки. Поведінка, коли людина прагне не До (наприклад до досягнення мети або до розвитку), а Від – від можливої невдачі, від можливого провалу.

Уникнення невдачі – це не завжди погано, іноді це може бути розумною захисною стратегією.

Таким чином проаналізувавши саногенне мислення, ми можемо сказати, що воно позитивно впливає на особистість, про те є його протилежність, яка негативно впливає – патогенне мислення. У обох видів мислення є основні риси за допомогою яких можливо їх розпізнати і у разі необхідності допомогти особистості.

Характерною особливістю системи загальної професійної підготовки курсантів вищого навчального закладу ДСНС України є регламентоване Статутом імперативно-правове регулювання взаємин у навчальному закладі. Так, загальні права та обов'язки слухачів і курсантів відповідно до їх спеціального звання та службового положення визначаються згідно з законами України, загальновійськовими статутами, дисциплінарним статутом ДСНС України, іншими нормативними актами, що втілює принцип єдиноначальності й декларативності спілкування. Одна з особливостей професійної підготовки курсантів – типовість взаємин у колективі, що свідчить про регламентовану структуру взаємин між курсантами, обмеженість в особистісному спілкуванні та домінування моностатевого спілкування. Взаємини побудовані на основі вимог законів України та підзаконних актів у сфері діяльності ДСНС України. У курсантському колективі діє двобічна система внутрішніх взаємин: формальна (офіційні стосунки між курсантами, що продиктовані принципом єдиноначальності й дотримання суворої субординації, регламентовані статутами, наказами, інструкціями, розпорядженнями й реалізовані шляхом нормування поведінки) і неформальна (взаємини, зумовлені неформальною структурою колективу, наявністю неформальних груп, як соціально конструктивних, так і деструктивних).

Професійна підготовка і професійне спілкування курсантів відбуваються в умовах суворої регламентації й чітких часових інтервалів. Розподіл часу від підйому до відбою жорстко структурований розпорядком дня, порушення якого є порушенням дисципліни та призводить до дисциплінарної відповідальності. Особливий режим організації життєдіяльності, виконання різних видів чергування в умовах жорсткої регламентації сприяє розвитку навичок і вмінь внутрішньої самоорганізації, відповідальності курсанта, уміння правильно й раціонально планувати час для всіх видів професійної діяльності, зокрема для результативного професійного спілкування. Підготовка курсанта вищого навчального закладу ДСНС України до професійного спілкування ускладнена щоденним навчальним і фізичним навантаженням, що виявляється в багаторазовому моделюванні екстремальних ситуацій, як-от: гасіння пожеж, розмінування, реагування на надзвичайні ситуації техногенного та природного походження різного рівня складності. Специфіка професійної підготовки курсантів полягає також в обмежених можливостях для добровільного вибору навчальних і поза-навчальних видів діяльності, самореалізації, творчого розвитку.

Крім того, особливістю професійної підготовки курсантів є соціально-референтна депривація: обмеження безпосереднього контакту із соціально значущими людьми – батьками, родичами, друзями.

Головним змістом професійної підготовки курсантів вищого навчального закладу ДСНС, що впливає на її особливості, є: пізнання специфіки професійної діяльності, сутності ролі офіцера, керівника оперативно-рятувальної служби цивільного захисту; засвоєння як майбутнім офіцером служби цивільного захисту необхідних нормативно-рольових правил, функцій, прав та обов'язків, навичок професійної діяльності; опанування специфічних службово-соціальних і службово-професійних цінностей, установок та формування необхідної для успішного функціонування в навколишньому середовищі структури ціннісних орієнтацій; набуття соціальних позицій, статусів і виконання соціальних та професійних ролей, що відповідають професійним функціям; ідентифікація з цими позиціями як соціально і професійно значущими, самовизначення серед інших статусів, соціально-професійних спільнот та груп; формування певної спрямованості і структури особистості курсанта (соціального типу), включення її до різних сфер соціальної, навчальної та майбутньої службово-професійної діяльності; усвідомлення необхідності й доцільності регламенту, що передбачений статутами та неухильно підтримуваний традиціями служби.

До суб'єктивних причин стресу належать: недостатня досвідченість, психологічна невідповідність, низька емоційна стійкість.

Емоційна стійкість дозволяє більш ефективно справлятися зі стресом, впевнено і холоднокровно застосовувати засвоєні навички, приймати адекватні рішення в обстановці дефіциту часу. Стійкі до стресу особи характеризуються як активні, не імпульсивні, наполегливі в подоланні труднощів. Протилежно цьому емоційно нестійкі особи егоцентричні, песимістичні, дратівливі, сприймають навколишнє середовище як ворожу і мають схильність акцентуватися на подразники, пов'язаних з небезпекою. Емоційна стійкість може бути обумовлена мотивацією і рівнем домагань на досягнення високих результатів, а також знаком емоційного переживання, його тривалістю, глибиною .

Високо тривожні особи більш чутливі до емоційного стресу, насилу виходять з цього стану, у них часто відзначаються емоційні порушення невротичного характеру. Тривожність безпосередньо пов'язана з ризиком захворювання неврозом. Психологічна стійкість більшою мірою виражена в осіб, мало схильних тривозі. Ці особи більш раціональні і з меншим емоційним напруженням здатні долати стресову ситуацію. Вони характеризуються більш високою рухливістю психічних процесів, що вказує на більш широкі можливості адаптації. Для осіб, тривожних, навпаки, типові ригідність особистісних якостей і психічних функцій, утруднення соціальних контактів, що перешкоджає реалізації раціональної й адекватної програми психічної адаптації.

Професійно-важливими для пожежників-рятувальників якостями є також інтроверсія і екстраверсія. Екстраверти найбільшою мірою переживають монотонність, схильні до втоми у порівнянні з інтровертами під час роботи, коли обмежені зовнішні контакти і в роботі настає одноманітність.

Процес становлення спеціаліста залежить не тільки від досвіду, знань та умінь людини, а ще й від того, що вона хоче та повинна робити. Професія міліціонера висуває певні вимоги до людини, її здібностей, якостей, психофізіологічних особливостей:

- по-перше, професія працівника ДСНС має багато екстремальних, стресогенних чинників та травмуючих факторів;

- по-друге, діяльність пожежника пов'язана з комунікативною компетенцією, працівник повинен мати певні вміння для ефективного спілкування з громадянами, викликати до себе повагу та позитивне ставлення, оскільки він уособлює собою державу, від якої громадяни очікують захисту;

- по-третє, працівник органів пожежної безпеки повинен мати високий рівень мотиваційної готовності до служби, орієнтуватися на обрану спеціальність, усвідомлювати свій вибір, не за ради благ, а бути гордим за свою професію;

- по-четверте, негативні явища, з якими стикається працівник у період проходження служби призводять до таких наслідків, як професійна деформація особистості, психологічне вигорання та взагалі розчарування в професії.

Розвиток мотивації курсантів у процесі навчання відбувається через послідовну зміну цих домінуючих мотивів. Емпіричними критеріями оцінки мотивації навчальної діяльності можуть служити її інтенсивність, стійкість, які проявляються у вигляді навчальної активності курсантів, стабільної академічної успішності протягом усього періоду навчання.

Важливими психологічними детермінантами успішної навчальної діяльності виступають життєві цілі, цінності курсантів, які тісно пов'язані з їх мотивами та, у свою чергу, впливають на мотивацію. Сформованість ближніх і дальніх цілей, спрямованість курсантів на професійну діяльність в органах внутрішніх справ, підвищує інтенсивність, стійкість мотивації навчальної діяльності, сприяє формуванню мотивів професійної діяльності. У ході навчання у курсантів відбувається зміна життєвих цінностей через засвоєння основних цінностей майбутньої професії, що підвищує інтенсивність і стійкість мотивації навчальної діяльності.

Курсанти протягом усього навчання та у подальшій роботі повинні мати гарну фізичну підготовку, психічну та емоційну стійкість. Тому що під час роботи вони потрапляють в тяжкі ситуації, які не кожному по силам.

У зв'язку з тим що курсантам потрібні особливі якості, наприклад емоційна стійкість для успішного виконання майбутніх професійних обов'язків, ми вважаємо що необхідно формування саногенного мислення.

Отже розвиток саногенного мислення обумовлено процесами формування особистості.

Завдяки даним результатам ми можемо зробити висновок, що коли людина дорослішає вона вчиться більше мислити позитивно, не перекладати особистісну відповідальність на інших людей, відповідати самостійно за свої вчинки, приймати самостійно важливі рішення, щодо свого життя. Людина вчиться не вирішувати все емоціями, а спершу осмислювати усю ситуацію й вже після знаходити рішення виниклої ситуації.

1.13. Key features of readiness to activity of a psychologist in extreme situations

1.13. Особливості готовності до діяльності психолога в екстремальних умовах

В даний час, у зв'язку зі зміною політичної та економічної ситуації в країні, виникненням воєнізованих конфліктів, збільшенням дії надзвичайних чинників на мирне населення, підвищується потреба в оперативній та кваліфікованій допомозі служби ДСНС України, зокрема – психологічної служби.

Професія психолога ДСНС з кожним роком стає все більш актуальною і необхідною, і як наслідок підвищуються вимоги до професійної компетенції та професійно важливих якостей фахівців-психологів екстремального профілю.

Складність кризової ситуації потребує від психолога ДСНС України емоційно-вольової стійкості, психологічної готовності до дій, комплексу професійно-службових якостей. Всі названі параметри складають зміст психологічної підготовки як невід'ємної частини всієї системи підготовки спеціалістів цивільного захисту України.

Психологічна готовність – одна зі складових загальної готовності до дії, яка визначається психологічними факторами. Психологічна готовність людини складається з її особистих якостей, рівня підготовленості, повноти інформації, наявності часу і засобів для ліквідації непередбаченої ситуації, наявності інформації про ефективність прийнятих рішень. Саме сукупність професійних знань та умінь з одного боку та особистісних якостей особистості з іншого, забезпечують виконання професійних функцій психологом ДСНС в екстремальних умовах.

Психологічна готовність людини до діяльності є предметом наукових досліджень у різних галузях психологічної науки впродовж декількох десятиліть. У сучасних наукових роботах простежується інтерес до діяльності в особливих умовах, яка може набувати й екстремального характеру (В. І. Варваров, А. Д. Глотчкін, Є. В. Долгополов, В. М. Дружинін, М. І. Дьяченко, Л. А. Кандибович, В. П. Каширін, М. П. Коробейников, П. А. Корчемний, Л. Н. Кузнецов, Т. В. Маркелова, А. Т. Ростунов, А. М. Столяренко, В. В. Сисоєв, С. І. С'єдін, О. В. Тимченко, Н. Ф. Феденко, В. Т. Юсов та інші).

Мобілізувати свої кращі якості, виконати поставлене завдання в задані терміни і з мінімальними витратами психічних і фізичних зусиль можуть лише ті спеціалісти, які характеризуються високим рівнем психологічної готовності до дій в екстремальних умовах.

Зазначена проблема визначає актуальність цього дослідження, спрямованого на вивчення особливостей психологічної готовності студентів-психологів до діяльності в екстремальних умовах.

Психологічна готовність людини до діяльності є предметом дослідження для багатьох галузей психологічної науки. Вивчення цієї проблеми розпочалось в 50-ті роки ХХ століття у зв'язку з необхідністю професійного навчання людей різним видам діяльності. Поняття «психологічна готовність до діяльності» було введено М. Дьяченко та Л. Кандибович в 1976 році в дослідженнях з інженерної психології та психології праці. Основним аргументом для його введення стала необхідність виділення із сукупності чинників, що зумовлюють продуктивність діяльності, психологічного компонента, який, за певних умов, відіграє вирішальну роль в опануванні тим чи іншим видом діяльності. Аналізуючи природу цього феномена, незважаючи на певні розбіжності в її визначенні, автори одноголосні в тому, що вона відбиває спрямованість особистості на цю діяльність. Разом з тим, закономірним можна вважати той факт, що у кожній із професійних сфер «готовність» має конкретний специфічний прояв. У зв'язку з цим з'явилась низка тлумачень щодо змісту та класифікацій структурних елементів готовності.

В. Н. Дружинін, А. М. Столяренко, А. В. Тимченко визначають психологічну готовність як одну зі складових загальної готовності до дії, яка визначається психологічними чинниками. Психологічна готовність людини складається з її особистісних особливостей, рівня підготовленості, повноти інформації, наявності часу і засобів для ліквідації непередбаченої ситуації, наявності інформації про ефективність прийнятих рішень. До структури професійної готовності вони відносять: 1) володіння професійними навичками, знаннями та вміннями, забезпечення їх якісного функціонування при високій психологічній напруженості в умовах надзвичайних ситуацій; 2) професійний розвиток важливих для дій в особливих умовах психологічних якостей; 3) сформованість умінь і навичок використання психологічних прийомів при вирішенні психологічно складних завдань професійної діяльності.

Б. А. Смирнов і О. В. Долгополова вважають, що психологічними передумовами настання готовності до виконання конкретної діяльності є її розуміння, усвідомлення відповідальності, бажання добитися успіху, визначення послідовності і способів виконання діяльності. Структуру психологічної готовності вони визначають, як складну динамічну структуру, яка є вираженням сукупності інтелектуальних, мотиваційних і вольових якостей особистості в їх співвідношенні із зовнішніми умовами і майбутніми завданнями.

У військовій психології науковці розглядають готовність як активний стан, мобілізованість, що є необхідною для якісного виконання своїх обов'язків і обумовлює границі впливу екстремальних ситуацій.

В інженерній психології в центрі уваги знаходиться вивчення готовності до екстреної дії в умовах монотонної роботи (пильність), що розуміється як стан мобілізації всіх психофізіологічних систем людини, які забезпечують своєчасне і точне реагування на раптову зміну ситуації.

Л. С. Нерсисян, В. Н. Пушкін і О. А. Конопкін описали компоненти такої готовності: образ структури дії, який необхідно здійснити у відповідь на появу визначеного сигналу; загальний психофізіологічний стан, що забезпечує швидкість реалізації необхідної програми трудових дій; власне психологічна спрямованість особистості на виконання необхідних дій.

А. Д. Ганюшкін визначив бойову готовність як одну з трьох форм передстартових станів (двома іншими є стани передстартової лихоманки і стартової апатії), ознаками якої є: емоційний підйом, легке збудження, упевнене очікування старту, деяке нетерпіння, «робочі» думки. Цей стан розглядавсь ним як: такий, що має цілісну структуру; відносно стійкий лише у визначений період часу; являє собою єдність переживання і психічної діяльності; залежний від відбиваної об'єктивної ситуації, стану організму і попереднього стану; обумовлений всім психічним складом людини. Стан психічної готовності А. Д. Ганюшкін охарактеризував впевненістю в силах, прагненням активно і до кінця боротися за досягнення спортивного результату, здатністю вільно керувати діями, почуттями, думками, усією поведінкою у мінливих умовах і напруженій атмосфері змагання.

Психологічну готовність (неготовність) можна визначити за такими показниками як настроєність, мотивація й установка на виконання діяльності, впевненість чи непевність у своїй підготовленості, ступінь вольового контролю над власними думками, почуттями і діями. Про ступінь готовності також слід судити за такими особливостями поведінки людини: безпомилковість дій чи наявність помилок, що у тій чи іншій мірі впливають на безпеку й успішність діяльності, поведінкові реакції (наприклад, ступінь відхилення координації рухів від норми, наявність чи відсутність розгубленості, метушливості, скутості), тон голосу і зміст мови, специфіка вегетативних реакцій.

У стані оптимальної готовності виявляється найкраща продуктивність розумових процесів, домінування бажання здійснювати діяльність і почуття впевненості у своїх можливостях. Людина в такому стані відчуває внутрішній підйом, приплив енергії,

бадьорість, здатна орієнтуватися в обстановці, найбільш доцільно застосовувати свої знання й уміння на практиці, здійснювати контроль над своїм психічним станом.

Найбільш значущими критеріями стану готовності, що дозволяють найбільшою мірою прогнозувати можливість здійснення успішних дій, на думку В. В. Сисоєва, є наступні: безпомилковість, своєчасність і чіткість дій чи виконання їх з помилками, що не впливають на безпеку і результат діяльності; оптимальні психологічні реакції (контроль над своїми думками, почуттями, поведінкою); оптимальні фізіологічні реакції чи незначні відхилення від них; певний ступінь впевненості в безпеці виконуваної діяльності, а також у своїй усебічній підготовленості, у своїх силах і можливостях.

Дьяченко, Л. А. Кандибович і В. А. Пономоренко, що займаються проблемами готовності до діяльності в напружених ситуаціях, виділяють наступні компоненти цієї готовності:

- 1) мотиваційний – відповідальність за виконання поставлених завдань, почуття обов'язку;
- 2) орієнтаційний – знання про особливості та умови діяльності, її вимоги до особистості;
- 3) операційний – володіння способами і прийомами діяльності, необхідними знаннями, навичками, вміннями, процесами аналізу, синтезу, порівняння, класифікації та т.д.;
- 4) вольовий – самоконтроль, уміння управляти своїми діями;
- 5) оцінний – самооцінка своєї готовності до дій у надзвичайній ситуації.

До числа внутрішніх і зовнішніх умов, що впливають на готовність, потрібно віднести: зміст задач, їх складність, новизну; обстановку діяльності; особливості стимулювання дій і результатів; мотивацію; оцінку імовірності досягнення й особисту підготовленість; попередні нервово-психічні стани і стан здоров'я; особистий досвід мобілізації сил на вирішення важких задач; вміння контролювати і регулювати рівень свого стану готовності.

Також виділяється завчасна (тривала) готовність і ситуативна (тимчасовий стан готовності). Тривала ґрунтується на раніше набутих знаннях, навичках, вміннях, досвіді, індивідуально-психологічних якостях, а тимчасова являє собою її актуалізацію зі створенням психологічних можливостей для успішних дій у даний момент і виявляється тільки через якийсь час після постановки задачі. При цьому, на думку авторів, формування обох видів готовності є взаємозалежним.

У роботах М. І. Дьяченка, Л. А. Кандибовича та їхніх співавторів готовність, як стійка характеристика особистості називається тривалою готовністю. На відміну від ситуативного стану готовності, діє вона постійно і, будучи завчасно сформованою, є істотною передумовою успішності діяльності. Позитивними рисами тривалої готовності є відповідність її структури змісту й умовам професійної діяльності, легкості актуалізації та включення у виконання задачі, пластичність, сполучення стійкості й динамічності. Тривала і тимчасова готовність знаходяться в єдності: виникнення готовності як стану залежить від тривалої готовності (є її актуалізацією) і, у свою чергу, визначає її продуктивність у даних конкретних обставинах. При цьому тривала готовність, на відміну від ситуативної, являє собою стійку систему професійно важливих якостей, а також досвід, знання, уміння і навички особистості.

Л. С. Нерсесян, А. Ц. Пуні та ін. пояснювали готовність через сукупність мотиваційних, пізнавальних, емоційних і вольових якостей особистості як її загальний психофізіологічний стан, що забезпечує актуалізацію можливостей; як спрямованість особистості на виконання певних дій.

Ф. М. Рекешева характеризує готовність до професійної діяльності студентів-психологів як динамічне явище. Формуючись у процесі навчання у вузі, психологічна готовність до професійної діяльності студентів-психологів зазнає позитивні якісні та кількісні зміни, нарощується і відображається в поступальній динаміці переходу від одного рівня до іншого, визначається внутрішнім балансом між її компонентами, і забезпечує продуктивне рішення

навчальних і професійних завдань різної складності та змісту (від репродуктивних до евристичних). Перехід від одного рівня готовності до професійної діяльності студентів-психологів до іншого пов'язаний з етапами навчання у вузі.

Поняття готовності до діяльності тісно пов'язане з поняттям установки, яка забезпечує стійкий, цілеспрямований характер протікання успішної діяльності. Д. Н. Узнадзе розумів установку як більш широке явище, ніж готовність. Готовність визначалася їм як суттєва ознака установки. З іншого боку, М. І. Дьяченко та Л. А. Кандибовіч розводять ці два поняття з точки зору конкретно-психологічної природи феноменів, які дані дефініції позначають. Установка, з їх точки зору, є лише формою готовності.

В основі формування психологічної готовності людини до діяльності в екстремальних умовах лежать його адаптивні можливості. Вони ж є одним з найважливіших факторів, що забезпечують його високу емоційну і нервово-психічну стійкість.

Адаптація (від лат. *Adaptio* – прикладання) – це пристосування організму, особистості, їх систем до характеру окремих впливів або до нових умов життя в цілому. Залежно від того, в яких зовнішніх умовах і на якому рівні здійснюється взаємодія людини з середовищем, можуть проявлятися різні види адаптації: фізіологічна, біологічна, психологічна, соціальна.

Позитивний ефект адаптації полягає в збільшенні відносної відповідності поведінки умовам нового середовища. Адаптація компенсує недостатність звичної поведінки в нових умовах. Завдяки адаптації створюється можливість оптимального функціонування організму, особистості в незвичайній обстановці. Якщо ж адаптація не настає, виникають додаткові труднощі в освоєнні предмета і умов діяльності аж до порушень в її регуляції. В адаптивній поведінці людини можуть брати участь фізіологічні, ендокринні та інші реакції організму, психічні процеси, досвід, стану і властивості особистості. Звідси ясно, що адаптація і готовність до діяльності пов'язані між собою, надають той чи інший вплив один на одного.

Фактори адаптації можна розділити на дві групи:

До першої з них відносяться ті, які пов'язані з особливостями особистості самої людини. Це такі характеристики, як загальна і спеціальна підготовленість, характер, темперамент, пізнавальні та інші психічні процеси, вихідне психічний стан, вік і т.п. Хід і результати адаптації залежать від рівня готовності до виконання завдання і мотивації поведінки особистості.

Другу групу складають фактори, які по відношенню до особистості існують об'єктивно: характер обстановки і вирішуваних завдань, керівництво, колектив, виховна робота та ін.

У теорії психічної адаптації розрізняють такі поняття, як стійка адаптація, переадаптація, дезадаптація і реадаптація.

Під стійкою адаптацією розуміють регуляторні реакції, психічну діяльність, систему відносин, які виникли в процесі розвитку людини в конкретних екологічних і соціальних умовах і не вимагають значної нервово-психічної напруги.

На думку В. І. Лебедева, тривалий і сильний вплив екстремальних факторів на психофізіологічні і соціально-психологічні механізми тягне за собою вичерпання резервних можливостей організму, які в свою чергу більше не можуть забезпечувати адекватне психічне відображення і регуляторну діяльність організму. Настає психічна дезадаптація, яка супроводжується негативними переживаннями, що зумовлюють нездатність реально оцінювати ситуацію і знаходити раціональний вихід з неї.

У випадку якщо умови існування людини змінюються, вона здатна пристосуватися до них. Відбувається психічна переадаптація, яка проявляється у виробленні захисних реакцій у відповідь на вплив екстремальних факторів. Особливості переадаптації полягають у формуванні нових функціональних систем в центральній нервовій системі, що дозволяють адекватно відображати реальну дійсність в надзвичайних умовах, а так само актуалізації звичних потреб та вироблення захисних механізмів на зовнішні впливи. Знову сформовані

динамічні системи, що регулюють поведінку людини і її активність, у міру збільшення часу перебування у змінених умовах перетворюються в стійкі стереотипи. Колишні адаптаційні механізми, які виникли у звичайних умовах, забуваються і втрачаються.

Після повернення людини з змінених умов у звичайні, нові динамічні стереотипи руйнуються, і виникає потреба відновити колишні. Цей процес відновлення називається реадаптація.

Таким чином, незважаючи на різноманіття визначень готовності, всі автори сходяться на тому, що готовність до діяльності – це схильність суб'єкта орієнтувати свою діяльність певним чином. Під психологічною готовністю мається на увазі система психологічних і психофізіологічних характеристик суб'єкта, що забезпечують успішність і результативність певних дій та діяльності. Стан психологічної готовності допомагає успішно виконувати свої обов'язки, використовувати знання, досвід, особисті якості, зберігати самоконтроль і перебудовувати свою діяльність при появі непередбачених перешкод.

Різні джерела визначають екстремальні умови як такі умови, в яких виникає загроза життю людини, його здоров'ю або майну від зовнішніх об'єктів через незапланованого (неочікуваного) зміну їх стану, що призводить до появи і дії дезадаптаційних факторів.

Екстремальні умови породжуються екстремальними ситуаціями, які виникають внаслідок несприятливого збігу обставин і дії різних по складності факторів.

Екстремальна ситуація – це обстановка на певній території, що склалася в результаті аварії, небезпечного природного явища, катастрофи, стихійного чи іншого лиха, які можуть спричинити за собою людські жертви, шкоду здоров'ю людей або навколишньому середовищу, значні матеріальні збитки та порушення умов життєдіяльності людей.

Екстремальна ситуація має наступні характеристики:

1) раптовість настання, 2) різкий вихід за межі норми звичних дій і станів; 3) насиченість розвивається ситуації протиріччями, які вимагають оперативного вирішення; 4) прогресуючі зміни в стані обстановки, умов діяльності, елементів, зв'язків і відносин, 5) зростання складності процесів, що протікають, 6) перехід ситуації в фазу нестабільності, вихід до меж критичності; 7) породження змінами небезпек і загроз (зриву діяльності, загибелі, руйнування систем); наростання напруженості для суб'єктів екстремальній ситуації (в плані її осмислення, прийняття рішень, реагування) і ін.

Екстремальні ситуації можуть бути регламентованими і нерегламентованими. плановими і ситуаційними, "штатними" і "позаштатними". У найбільш загальному вигляді вони поділяються на групи: 1) спричинені надзвичайними умовами (стихійне лихо, природна чи техногенна катастрофа, війна, масові терористичні акції тощо);

2) життєві, повсякденні (пожежа, напад злочинця, гострий брак часу, необхідність одночасного вирішення декількох однаково важливих завдань), тобто такі, що виникають у житті кожної людини;

3) службові, професійні - зумовлені виконанням фахових обов'язків. З безпекою для життя і здоров'я пов'язане виконання багатьох видів робіт, що містять елементи виробничого і професійного ризику (шахтарі, льотчики, моряки та ін.), а також службова діяльність військовиків, працівників правоохоронних органів та службовців ДСНС України.

У вітчизняній науці психологічним проблемам дослідження діяльності працівників ризиконебезпечних професій приділяється значна увага. Зокрема, дослідження щодо психологічного забезпечення діяльності корабельних спеціалістів (М. С. Корольчук), професійного стресу працівників ОВС (О. В. Тімченко), соціально-психологічних основ збереження психічного здоров'я військових (Є. М. Потапчук), психологічних закономірностей адаптації особистості до умов діяльності (О. Р. Охременко), психологічних аспектів саморегуляції рятувальників (Г. С. Грибенюк), професійного розвитку фахівців екстремального профілю (В. О. Лефтеров) та ін.

У своїх дослідженнях науковці під час характеристики умов професійної діяльності працівників наводять наступні ознаки: «особливі», «екстремальні», «складні», «важкі», «ризиконебезпечні», «емоціогенні», «сресогенні», «критичні», «надзвичайні», «гіперстресові» тощо. Вже сам по собі цей перелік свідчить про те, що не існує єдиної термінології для опису аналізованих ситуацій.

На думку О. В. Тімченко межа, яка відокремлює «екстремальні» умови діяльності від «особливих», залишається досить умовною. Крайнім вираженням цієї позиції є тенденція оцінки умов як екстремальних, виходячи тільки з фізичних характеристик стимуляції. Відомою підставою для цього є дані фізіології органів почуттів, серцево-судинної, дихальної і деяких інших систем, що показують близьку до лінійної залежність змін низки показників від інтенсивності діючого екстремального фактору. Проте, чим більш висока за організацією функція людини бореться за критерій, тим менше виражена лінійна залежність зміни її показників від розміру діючого фактору.

Під особливими або екстремальними умовами діяльності розуміють умови, які знаходяться на межі адаптаційних можливостей або перевершують психічні, фізичні, психофізіологічні резерви людини і ставлять перед нею великі труднощі, зобов'язують її до максимальної напруги сил і можливостей.

За дослідженнями В. І. Лебедева поняття «особливі умови» діяльності справедливе для тих ситуацій, коли діяльність пов'язана з епізодичною (тобто непостійною) дією екстремальних чинників (або з вірогідністю їх виникнення), а екстремальні умови діяльності пов'язані з постійною дією цих чинників. Подібної думки дотримується В. В. Семикін, який вважає, що особливі умови відрізняються від екстремальних меншою інтенсивністю і специфічністю спрямованості на діяльність.

Діяльність в особливих умовах розглядається як діяльність за умов впливу стресових подразників високої інтенсивності, при цьому спостерігається зіткнення індивіда зі стресогенними стимулами, формування фізіологічних, поведінкових і суб'єктивних реакцій на них. Основним критерієм, за яким діяльність класифікують як діяльність в особливих умовах є ушкоджувальний вплив стресорів. Крім цього, діяльність цих умовах детермінована параметрами інформаційного середовища, які обумовлюють імовірнісну складову ситуативної невизначеності.

Характеризуючи діяльність в особливих умовах, Б. А. Смирнов наводить загальні закономірності функціонування людей в зазначених умовах: прояв специфічних видів психічної напруги; відбуваються коливання працездатності людей, які залежать від їх індивідуально-психологічних особливостей, наявності інформації про події, що трапляються, рівня підготовленості та «тренуваності», а також розвитку морально-вольових якостей; наприкінці виконання складного завдання в особливих умовах людина розслабляється, втрачає пильність, що може привести до помилок.

У сучасних умовах особливої актуальності серед проблем психології набуває проблема готовності людини до різних видів діяльності (військової, спортивної, трудової, операторської і т.п.), а також до творчого виконання конкретних життєвих, суспільних (але, по суті своїй) завдань. Зауважимо, що найчастіше діяльність людини протікає в змінених, що відрізняються від звичайних, умовах. Все це змушує по-новому ставити питання про готовність професіонала до діяльності в особливих, і перш за все – в екстремальних умовах. Умови, що пред'являють підвищені вимоги до працюючій людині, носять назву особливих умов діяльності.

До числа таких умов відносяться:

- робота в унікальних умовах, пов'язаних із небезпекою для життя;
- висока «вартість» (відповідальність) прийнятих рішень;
- ускладнення виконуваних функцій;

- збільшення темпу діяльності;
- монотонність роботи в умовах очікування сигналу до екстрених дій (т. н. працю очікування);
- поєднання різних за цілями дій в одній діяльності (т. н. поєднана або роздвоєна діяльність);
- переробка великих обсягів і потоків інформації (т. н. перевантаження інформацією);
- дефіцит часу на виконання необхідних дій;
- ускладнені фактори робочого середовища і т. п.

Особливі умови діяльності пред'являють підвищені вимоги до працюючій людині, є причиною помилок і зривів в роботі, несприятливо впливають на працездатність людини і стан його здоров'я. Ці причини зумовили виникнення таких дисциплін, як екстремальна психологія та психологія праці в особливих умовах.

Особливі умови діяльності завжди пов'язані з впливом екстремальних факторів або виникненням екстремальних ситуацій. Залежно від ступеня періодичності, частоти їх виникнення та тривалості розрізняють:

- Власне особливі умови діяльності, які справедливі для тих ситуацій, коли діяльність пов'язана з епізодичними діями екстремальних факторів.
- Екстремальні умови діяльності (як крайня форма особливих умов), пов'язані з постійним дією екстремальних факторів.

Екстремальні умови створюються різними факторами, зумовленими конкретними особливостями зовнішнього середовища, характером виконуваної діяльності, властивостями надходить до людини інформації. Кожен з цих факторів робить свій, специфічний вплив на діяльність і поведінку людини. Однак є і загальні закономірності, характерні для діяльності, що проходить в екстремальних умовах. Розглянемо основні з них.

1. При роботі в екстремальних умовах відзначаються три види психічної напруженості: емоційна (афективна), неемоційна (операційна, ділова) і змішана. Емоційна напруженість виникає під дією емоціогенних факторів, що викликають переживання невідомості, тривоги, страху, боязні аварії, ризику для життя і інших негативних емоцій. Вона може виникнути до початку діяльності, при отриманні завдання, вислуховуванні інструкції, а також безпосередньо в процесі діяльності. Виникнення емоційної напруженості пов'язано з динамічним неузгодженістю між об'єктивною значимістю ситуації та її суб'єктивною оцінкою і появою пов'язаних з цим негативних змін в рухових і психічних функціях. Цей вид напруженості в малому ступені спрямований на виконання діяльності, велику питому вагу в ньому можуть займати реакції захисту організму.

Операційна напруженість виникає в умовах, що пред'являють підвищені вимоги до розумових ресурсів і руховому апарату людини і не пов'язаних з небезпекою або іншими серйозними наслідками, думки про яких змусили б людину заздалегідь хвилюватися. Ця напруженість зростає поступово як результат виконання роботи великої складності, наприклад, при труднощі розрізнення зорових і слухових стимулів, складності зорово-моторної координації, швидкості обчислень і т. п. Слід зазначити, що такий поділ видів напруженості є досить умовним, оскільки будь-який вид діяльності завжди пов'язаний з емоціями і при певних умовах операційна напруженість може перерости в емоційну. Тому найбільш характерною є змішана напруженість.

Змішана психологічна напруженість характеризується різною питомою вагою емоційного компонента в загальній структурі напруженості і буває найбільш характерною для різних видів діяльності в екстремальних умовах.

2. Екстремальні умови викликають коливання працездатності людини або явне її зниження, особливо при сильній емоційної напруженості. При цьому збільшується кількість помилок, порушується послідовність операцій, сповільнюється темп роботи і т. п. У деяких

випадках відбувається втрата трудових навичок: то, що в звичайних умовах робилося на рівні автоматизму, тепер починає як би заново усвідомлювати. Зниження працездатності найчастіше спостерігається при низькому рівні тренуваності. Коливання працездатності залежать від індивідуальних особливостей людей, перш за все від властивостей їх нервової системи.

Смирнов Б. А. і Долгополова О. В. під екстремальними чинниками робочого середовища розуміють досить жорсткі умови середовища, неадекватні вродженим та набутими властивостями організму. Ці екстремальні фактори можна розділити на психологічні та фізіологічні, фактори внутрішніх і зовнішніх умов діяльності. Лебедев В. І., у свою чергу, виділив також групу некорегуємих чинників зовнішніх умов діяльності.

До психологічних факторів внутрішніх умов діяльності належать:

1. Екстремально-психологічні чинники, це: людські втрати, загальна дезорганізація життя; свідомість відповідальності за свої рішення; колективізм і солідарність; приклад старших начальників.

2. Екстремальні професійно-психологічні чинники - новизна і незвичність; раптовість; стрімкість; дефіцит часу; високі тривалі навантаження; невизначеність.

Другу групу чинників становлять екстремальні фактори зовнішніх умов діяльності:

- Показники мікроклімату (температура, вологість, опади, вітер, радіація та інші);
- Шуми і вібрації (їх параметри і види);
- Вплив хімічних речовин (викиди хімічних речовин у навколишнє середовище; хімічні речовини, використовувані в побуті і т.д.).

Дія цих факторів викликає фізіологічний стрес. Поняття фізіологічного стресу тісно пов'язано з поняттям фізіологічного еквівалента діяльності, під яким розуміється стан динамічної активності функцій організму, що забезпечують конкретну діяльність. Фізіологічний еквівалент формується в процесі освоєння професійної діяльності та її окремих етапів. У своїй основі він має виборчу активацію різних фізіологічних і біохімічних процесів, організацію та реорганізацію їх у певну систему.

Таким чином, екстремальні умови діяльності характеризуються: відхиленням від норм здійснення професійної діяльності; наявністю небезпечних факторів, які загрожують стану здоров'я, життю людини і перевищують резервний потенціал її організму; динамічною неузгодженістю, яка зумовлює необхідність перебудови систем гомеостатичного реагування; мобілізацією організму, стресом, зниженням регуляції діяльності.

З моменту створення психологічної служби ДСНС України, на неї покладено дві основні задачі. Перша характерна для силових відомств – завдання психологічного супроводу діяльності особового складу ДСНС України: рятувальників, пожежних, лікарів та інших. Це професійний відбір, психологічна підготовка, корекція і відновлення психічного здоров'я, рішення проблем, що виникають у зв'язку з виконанням професійних обов'язків.

Друге завдання унікальне - надання першої психологічної допомоги при надзвичайних ситуаціях. Надання екстреної психологічної допомоги населенню, постраждалим у надзвичайних ситуаціях, є найважливішою функцією.

Гострі реакції на стрес дуже енерговитратні і небезпечні як для самої людини, так і для психологічного здоров'я оточуючих. До завдань психологів, які працюють в зоні надзвичайної ситуації входить не тільки надання екстреної психологічної допомоги, а й інформаційно-психологічна підтримка родичів загиблих і постраждалих. Фактор невідомості і інформаційного вакууму надає одне з найбільш згубних впливів на психіку постраждалих людей.

Відповідно до специфіки психологічної роботи з надання допомоги потерпілим, різні автори давали їй різні визначення. Так, цікавим є визначення, яке дає О. В. Тімченко: «Психологічна робота виступає невід'ємною складовою всебічного забезпечення

проведення аварійно-рятувальних робіт» Розкриваючи зміст психологічної допомоги, Малкіна–Пих І. Г. констатує, що мета і завдання екстреної психологічної допомоги (ЕПД) містять у собі профілактику гострих панічних реакцій, психогенних нервово-психічних порушень, підвищення адаптаційних можливостей, психотерапію виниклих нервово-психічних розладів

В багатьох екстремальних ситуаціях не можуть бути застосовані звичайні методи психологічного впливу. Все залежить від цілей психологічного впливу в екстремальних ситуаціях: в першому випадку треба підтримати, надати допомогу; у другому – треба зупинити, наприклад, плітки, паніку; у третьому – провести переговори.

Головними принципами надання допомоги людям, які перенесли психологічну травму внаслідок впливу екстремальних ситуацій, на думку І.Г. Малкіної–Пих, є:

1. Невідкладність. Це означає, що допомога постраждалому повинна надаватись якомога скоріше: чим більше часу пройде з моменту отримання травми, тим більше вірогідність виникнення хронічних розладів, в тому числі й посттравматичного стресового розладу.

2. Наближеність до міста подій. Сенс принципу полягає у наданні допомоги у звичній для постраждалого обстановці й оточенні, а також мінімізації негативних наслідків госпіталізації.

3. Очікування на відновлення нормального стану. З людиною, яка перенесла стресову ситуацію, слід спілкуватися не як з пацієнтом, а як з нормальною людиною. Необхідно підтримувати переконаність людини у швидкому поверненні нормального стану.

4. Єдність та звичайність психологічного впливу. Під цим слід розуміти, що його джерелом повинна бути одна особа, або процедура надання психологічної допомоги повинна бути уніфікованою.

Ситуація роботи психолога в екстремальних умовах відрізняється від звичайної терапевтичної ситуації наступними чинниками:

1. Робота з групами. Нерідко доводиться працювати з групами жертв, і ці групи не утворюються психологом штучно, виходячи з потреб психотерапевтичного процесу, вони утворюються самим життям через драматичну ситуацію катастрофи.

2. Пацієнти звичайно перебувають в гострому афективному стані. Інколи доводиться працювати, коли жертви перебувають ще під впливом травмуючої ситуації, що є не зовсім звичним для нормальної психотерапевтичної роботи.

3. Мають місце часті випадки, коли жертви мають низький соціальний і освітній статус. Серед них можна зустріти велику кількість людей, котрі за своїм соціальним і освітнім статусом ніколи у своєму житті не опинились би у кабінеті психотерапевта.

4. Наявність майже у переважної більшості пацієнтів відчуття втрати, тому що жертви часто втрачають близьких людей, друзів, улюблені місця мешкання, праці і т. ін., що «робить внесок» до картини травматичного стресу, особливо депресивну його складову.

5. Різновид психопатології у жертв. Жертви насилля нерідко страждають, крім травматичного стресу, ще й неврозами, психозами, розладами характеру й що є особливо значущим для професіоналів, котрі працюють з жертвами, цілою низкою проблем, викликаних самою подією, катастрофою чи іншою травмуючою ситуацією. Мається на увазі, наприклад, відсутність коштів для існування, роботи і т. ін.

З такими факторами та їх поєднанням звичайна людина не стикається в житті, тим більше це не складає умови її професійної діяльності. Тому майбутніх психологів ДСНС, які обрали цю професію, слід готувати до тривалого і постійного впливу цих умов на його особистість, життя, здоров'я.

У повсякденному житті психологи ДСНС України вирішують широке коло задач за трьома основними напрямками, які нерозривно пов'язані між собою: психологічна діагностика, підготовка, профілактика і реабілітація.

Теоретичний огляд та аналіз наукової літератури про поведінку людини в екстремальній ситуації дозволив виділити джерела помилкових дій: неповна інформація, низька психологічна готовність, сповільненість мислення, низька здатність до прогнозування і передбачення подій, скутість, емоційна напруженість, відсутність саморегуляції і самоаналізу, неухважність, зовнішня і внутрішня пасивність, концентрація уваги на результаті.

Отже, до особливостей професійної діяльності психолога в екстремальних умовах пред'являються вимоги як до її організації (наприклад, особливості надання психологічної допомоги населенню в екстремальних умовах), так і до психологічної готовності.

Ефективні дії психолога в екстремальних умовах супроводжуються інформованістю про ситуацію, явище, процеси, що відбуваються, швидкістю реакції, адекватної ситуації швидкістю мислення, здатністю до прогнозування і передбачення подій, аутентичністю, врівноваженістю, саморегуляцією, самоаналізом, уважністю, спостережливістю, узгодженістю дій, доцільною активністю, умінням перебувати в ситуації невизначеності, бути «тут і зараз» і ін.

В основі формування психологічної готовності людини до діяльності в екстремальних умовах лежать її адаптивні можливості. Вони ж є одним з найважливіших факторів, що забезпечують її високу емоційну і нервово-психічну стійкість.

Екстремальні умови діяльності характеризуються: відхиленням від норм здійснення професійної діяльності; наявністю небезпечних факторів, які загрожують стану здоров'я, життю людини і перевищують резервний потенціал її організму; динамічною неузгодженістю, яка зумовлює необхідність перебудови систем гомеостатичного реагування; мобілізацією організму, стресом, зниженням регуляції діяльності.

Екстремальні умови породжуються екстремальними ситуаціями, які виникають внаслідок несприятливого збігу обставин і дії різних по складності факторів.

Для виникнення стану готовності до тяжких видів діяльності необхідно: усвідомлення цілей, вирішення яких приведе до виконання поставленої задачі; осмислення й оцінка умов, в яких будуть протікати наступні дії; визначення на основі досвіду й оцінки предстоящих умов діяльності найбільш вірогідних і оптимальних способів вирішення задач; прогнозування прояву своїх інтелектуальних, мотиваційних, вольових процесів; оцінка співвідношення свого рівня домагань, реальних можливостей і об'єктивних вимог майбутньої діяльності; актуалізація минулого досвіду, пов'язаного з вирішенням задач і виконанням вимог подібного роду; мобілізація психічних і фізичних сил у зв'язку з поставленою задачею і умовами, в яких її задано.

До особливостей професійної діяльності психолога в екстремальних умовах пред'являються вимоги як до її організації (наприклад, особливості надання психологічної допомоги населенню в екстремальних умовах), так і до психологічної готовності, яка є особистісним утворенням, яке опосередковує залежність між ефективністю діяльності психолога і його спрямованістю на вдосконалення свого професійного рівня.

Ефективні дії психолога в екстремальних умовах супроводжуються інформованістю про ситуацію, явище, процеси, що відбуваються, швидкістю реакції, швидкістю мислення адекватного ситуації, здатністю до прогнозування і передбачення подій, аутентичністю, врівноваженістю, саморегуляцією, самоаналізом, уважністю, спостережливістю, узгодженістю дій, доцільною активністю, умінням перебувати в ситуації невизначеності, бути «тут і зараз» і ін. Проведений нами аналіз свідчить про можливість формування психологічної готовності до професійної діяльності психолога в повсякденних і екстремальних умовах у процесі професійної освіти.

1.14. Victiminity as a quality of the personality of STDS

1.14. Віктимність як якість особистості працівника ДСНС

Дослідження вітимності як наукового поняття, зумовлено низкою обставин. Перш за все, вона визначається соціальною та практичною значущістю питань гуманізації суспільства, вирішення завдань формування здорової, активної та соціально адаптованої особистості, а також збільшеною потребою віктимологічної профілактики та корекції особистості в суспільстві.

Ритм та стиль життя, норми та правила, які диктує сучасне суспільство, все більша необхідність в самореалізації молоді призводить до різноманітних проявів віктимності в їх поведінці..

Особливого інтересу в цьому контексті набувають аналіз психологічних механізмів віктимності як сукупності внутрішніх детермінант, що обумовлюють дисбаланс між негативними зовнішніми впливами і здатністю долати різні ризики, загрози, небезпеки (А. В. Мудрик, Т. В. Варчук, К. В. Вишневецький). О. О. Андронникова, І. І. Мамайчук та О. А. Клачкова до внутрішніх детермінант віктимності відносять:

- 1) психодинамічні базисні властивості особистості, що відображають особистісний рівень її функціонування;
- 2) програмуючі властивості, що формують змістовно-сміслові програми поведінки і діяльності.

Слід зазначити, що у ряді досліджень (І. І. Мамайчук, М. А. Одинцова, О. В. Холічева і ін.) провідними визнаються саме програмуючі властивості особистості, що відбиваються в її поведінці, а саме:

- 1) соціально обумовлені властивості особистості – спрямованість, моральні властивості, установки, мотиви, які проявляються перш за все в ставленні до людей, до себе, роботи, речей;

- 2) індивідуально набутий досвід – знання, навички, вміння, звички, рівень особистої культури;

- 3) специфіка взаємодії з навколишнім макро- і мікросоціумом особистості за допомогою реалізації її життєвого сценарію. Типова поведінка суб'єкта в певних ситуаціях є виразом його внутрішньої сутності, заснованої на сукупності характерних мотивів, спонукань, стабільних стійких відносин до явищ дійсності, інших людей, фактів, обставин життєвої ситуації. Системоутворюючими ознаками в системі внутрішньої регуляції поведінки В. А. Ядов вважає диспозиційно-установчі явища – різні стани схильності або підготовленості людини до сприйняття умов ситуації та її поведінкових навичок, що спрямовують діяльність в певному русі. Установки формуються як на основі особистого минулого досвіду людини, так і під впливом інших людей. Комунікативні установки переживаються, як особисте ставлення до будь-чого, як особистісний смисл цього об'єкта (явища) і забезпечують готовність будувати відносини в певному стилі і з певним типом бажаних партнерів (А. Н. Івашов, Е. В. Заїка). У транзактному аналізі (Е. Берн) установка (позиція в спілкуванні) характеризується провідним его-станом – сукупністю пов'язаних один з одним способів поведінки, думок і почуттів, тобто проявом особистості в даний момент:

- Р – его-стан Батька, скопійований з батьків або батьківських фігур;
- В – его-стан Дорослого як пряма реакція на «тут і тепер»;
- Д – его-стан Дитини, притаманний дитячому віку.

Поряд з «Его»-станами і важливою для розуміння віктимності є концепція сценарію життя:

- сценарій - це план життя;

- сценарій веде до розплати (фіналу);
- людина сама приймає рішення про сценарії;
- сценарій підкріплюється батьками;
- сценарій лежить поза межами усвідомлення;
- люди спотворюють реальність з метою «виправдання» сценарію.

А. А. Реан визначає життєвий сценарій як своєрідний результат соціалізації та адаптації особистості, стратегію пристосування до навколишнього соціального середовища на основі специфіки сприйняття себе і своїх соціальних зв'язків, деформування яких визначає жертвну позицію особистості з реалізацією відповідної програми поведінки. У сучасній психології така самореалізація особистості в процесі життєвого шляху представлена у вигляді авторських типологій.

Аналіз представлених типологій дозволяє зробити висновок, що незалежно від теоретичних викладів авторів в частині життєвих позицій / відносин до життя / варіантів життя закладений високий віктимогенний потенціал: «Я – не ОК, ти – ОК», «Я – ОК, ти – не ОК». Зазначені позиції обумовлюють пасивно-оборонний стиль поведінки віктимної особистості, внутрішню уразливість, безпомічність, безпорадність і дефензивність (М. Е. Бурно, 2005). Вибір стилю поведінки суб'єкта, його стійкість детермінуються образом світу – інтегративним уявленням суб'єкта про навколишній світ, що відбиває сукупність образів і особистісних смислів і виражає емоційно забарвлене ставлення суб'єкта до світу (Берулава Г. А., Боташева З. С., Сагіян Е. М.). Загалом порушення можливості управляти взаємодією зі світом пов'язано з деформацією кордонів психологічного простору.

Особистісні (психологічні) кордони як фізичні та психологічні маркери, що відокремлюють область особистого контролю приватності і відповідальності однієї людини від такої сфери іншого, визначають її ідентичність і є інструментом рівноправної взаємодії і селекції зовнішніх впливів. Здатність індивідуума контролювати, захищати і розвивати свій психологічний простір на основі узагальненого досвіду успішної автономної поведінки і збереження кордонів психологічного простору пов'язана з психологічною суверенністю (автономією). Така суверенність забезпечує інтерактивність, цілісність і саморегуляцію особистості, визначає успішність вирішення життєвих завдань, дозволяє встановлювати власне авторство по відношенню до життєвого шляху, є умовою адаптації, розвитку та продуктивності у всіх сферах життя.

Одним із факторів реалізації мотиваційно-регуляторної функції в поведінці індивідуума є Я-концепція особистості, що формується в процесі життя людини на основі взаємодії зі своїм психологічним оточенням. У. Джеймс (автор ідеї Я-концепції як сукупності уявлень людини про себе як особистості) розглядав глобальне, особистісне "Я" як двоїсте утворення, в якому поєднуються «Я-усвідомлює» (I) і «Я-як-об'єкт» (Me) як дві сторони однієї цілісної особистості, що завжди існують одночасно. Одна з них являє собою досвід (Я-усвідомлює), а інша – зміст цього досвіду (Я-як-об'єкт). Я-як-об'єкт – це те, що людина може назвати своїм. Я-як-об'єкт складається з чотирьох аспектів: духовне "Я", матеріальне "Я", соціальне "Я" і тілесне "Я", які і утворюють для кожної людини його унікальний образ. Таким чином, з точки зору Джеймса Я-концепція – це складний складовий образ або картина, що включає в себе сукупність уявлень особистості про себе саму разом з емоційно-оціночними компонентами цих уявлень.

Образ "Я", або самосвідомість (уявлення про себе), не виникає у людини відразу, а складається поступово протягом її життя під впливом численних соціальних чинників, причому таке формування Я-концепції характеризується певною дуалістичністю, прагнучи до збереження наступності (послідовності) і зазнаючи змін водночас.

Таблиця 1. Типології життєвих сценаріїв

Автор	Життєвий сценарій
Е. Берн (1992)	Життєві позиції
	<ol style="list-style-type: none"> 1. Я – ОК, ти – ОК – співпраця з іншими людьми при вирішенні життєвих проблем з метою досягнення бажаних результатів. 2. Я – не ОК, ти – ОК – депресивна позиція з відчуттям себе нижче інших людей. 3. Я – ОК, ти – не ОК – оборонна позиція з прагненням піднятися над іншими людьми 4. Я – не ОК, ти – не ОК – безплідна позиція: я, весь світ і всі люди в ньому погані
Г. С. Абрамова (1999)	Типи відношення до життя
	<ol style="list-style-type: none"> 1. Життя як подолання: постійна протидія відбувається поза або всередині людини; з почуттям здійснення життя завжди пов'язана напруга, яка потребує зняття, уникнення, ухилення від нього. 2. Повне прийняття життя: визнається можливість відповідності будь-яких ситуацій і підтримання оптимального напруги в будь-яких обставинах життя в більшій мірі через зусилля, ніж відповідність йому 3. Життя як боротьба: будь-яка напруга вимагає спеціальних зусиль по його подоланню і доведення до логічного кінця - перемоги - з обов'язковим впливом на виток напруги. 4. Визнання необхідності перебудови життя: людина відкидає традиційні правила і способи здійснення життя і намагається створювати нові. 5. Перетворення життя або філософія творчості: спроби реалізувати напругу і регулювати її відповідно до можливостей свого життя, сприймаючи його як природне явище, а актуальні ситуації – як тотожні за походженням йому самому.
В. Н. Дружинін (2010)	Варіанти життя
	<ol style="list-style-type: none"> 1. Життя як передмова – вічний дитячий стан, коли справжнє життя (дорослість) ще попереду. Долаючи, переживаючи «підготовчу частину життя», людина нічого не може відчувати, крім відчуття тяжкості повсякденного існування і одного бажання - щоб час спливав якомога швидше. 2. Життя як творчість – процес, захоплюючий основну частину життя, причому внутрішня робота душі відволікає людину від зовнішньої сторони буття. 3. Життя як досягнення - відбувається у «зовнішньому світі», але націлене на майбутнє і звернене в минуле; це своєрідна погоня за горизонтом, коли висока суб'єктивна значимість зовнішньої реальності злита з негативним ставленням до її миттєвого стану. 4. Життя як сон («як мрії», «як бачення») – прагнення відірватися від реальності і зануритися в життя інше, поза межне, не пов'язане з відчуттям себе, існуюче тут і тепер, перш за все у випадках страждання, безпорадності і невдач при рішенні життєвих проблем. 5. Життя за правилами («за сценарієм», «правильне») – «життя зовнішнє» відповідно з культуральними моделями життєвого шляху, ритуалами, обрядами, традиціями, вдосконалення – що не стосуються «життя внутрішнього». 6. Життя – трата часу («життя-часу») з відсутністю минулого і нескінченністю сьогодення: існуючи в зовнішньому житті, людина прагне структурувати час, щоб заповнити подіями пам'ять і пережити, «витратити» сьогодення, забути про наступаюче майбутнє. 7. Життя проти життя – це життя-боротьба внаслідок глобальної, «екзистенціальної», психічної травми, пережитого насильства і жорстокості: людина оголошує війну оточуючому світові, але при цьому і самому собі, так як вона є частиною цього світу і не може без нього існувати. 8. «Екзистенційний конструктор», або життя як предмет творчості: людина розуміє обмеженість життя, а тому реконструює його, творчо реалізуючи свої внутрішні ресурси.

Р. Бернс виділив чотири складових «Я-концепції», що дозволяють конкретизувати її змістовну сторону:

1. *Описова складова*, пов'язана зі ставленням до себе або до окремих своїх якостей, тобто самооцінка або прийняття себе.

2. *Оціночна складова*, пов'язана з особистісним, оцінним моментом при спробах охарактеризувати себе. Іншими словами, «Я-концепція» – це не тільки констатація, опис рис своєї особистості, але і вся сукупність їх оціночних характеристик і пов'язаних з ними переживань.

Необхідно відзначити, що виділення описової та оціночної складових дозволяє розглядати Я-концепцію як сукупність установок, спрямованих на самого себе, у визначенні яких підкреслюються три головні елементи:

- переконання, яке може бути обґрунтованим або необґрунтованим (когнітивна складова установки);

- емоційне ставлення до цього переконання (емоційно-оцінна складова);

- відповідна реакція (поведінкова складова).

Таким чином, згідно досліджень Р. Бернса, Я-концепція як сукупність установок людини, спрямованих на самого себе, включає наступні рівні:

1) образ "Я" – уявлення людини про саму себе, рефлексивна когнітивна схема;

2) самооцінка – емоційна оцінка цього уявлення, оскільки конкретні риси образу "Я" можуть викликати більш-менш сильні емоції, пов'язані з їх прийняттям або осудом;

3) потенційна поведінкова реакція, тобто ті конкретні дії, які можуть бути викликані образом "Я" і самооцінкою.

3. *Когнітивна складова*, пов'язана з самоописом як засобом охарактеризувати неповторність кожної особистості через поєднання її окремих рис. Ці уявлення індивіда про самого себе здаються йому переконливими незалежно від того, чи є вони істинними або помилковими.

4. *Поведінкова складова*, пов'язана з безпосереднім вираженням установки індивіда в його поведінці.

«Я-концепція», по Р. Бернсу, формується під впливом різних зовнішніх факторів, які відчуває (переживає) індивід. Особливо важливими в цьому аспекті є для нього контакти зі значущими іншими індивідами, які і визначають уявлення індивіда про самого себе. На перших порах будь-які соціальні контакти носять формуючий вплив, однак з моменту свого зародження «Я-концепція» стає активним початком, важливим фактором в інтерпретації досвіду, сприяє досягненню внутрішньої узгодженості особистості і є джерелом очікувань.

Людина як соціальна істота не може уникнути прийняття багатьох соціальних і культурних ролей, нормативів і оцінок, що визначаються умовами життя в суспільстві (т.зв. процес соціалізації): вона стає об'єктом як власних суджень, так і оцінок інших людей, з якими взаємодіє, і, якщо прагне отримати схвалення оточення, вона повинна відповідати загальноприйнятим стандартам. Таким чином функціями «Я-концепції» є:

- інтерпретація минулого досвіду;

- дії індивіда в конкретній ситуації;

- інтерпретація дій інших;

- визначення рольових експектацій індивіда, тобто уявлень про те, що має відбутися.

Створені Я-образи як певні фундаментальні елементи самовизначення особистості надають систематичного впливу на обробку індивідом поточної інформації, а саме – відображають деякі способи досягнення бажаного результату, плани і стратегії. Причому сам Я-образ досить «пластичний» – зміни відбуваються в залежності від того, що було активізовано соціальними обставинами, і від того, які уявлення про себе були активізовані в самосвідомості індивіда в його відгуку на поточний досвід. Таким чином важливі події життя

змушують людину переглядати ставлення до себе, і якщо новий життєвий досвід, отриманий суб'єктом, узгоджується з існуючими уявленнями про себе, він легко асимілюється, входить всередину Я-концепції без будь-яких негативних наслідків.

К. Роджерс відзначав, що Я-концепція – це складна структурована картина, яка існує в свідомості індивіда і уявляє собою певну систему, причому зміна одного аспекту може повністю змінити природу цілого. В рамках структури Я-концепції К. Роджерса існують три основні модальності:

1) "реальне Я" – установки, пов'язані з тим, як людина сприймає свої актуальні здібності, ролі, свій актуальний статус (тобто з її уявленнями про те, якою вона насправді);

2) "дзеркальне (соціальне) Я" – установки, пов'язані з уявленнями людини про те, як її бачать інші;

3) "ідеальне Я" – установки, пов'язані з уявленнями людини про те, якою вона хотіла би стати. "Ідеальне Я" включає цілі, які людина пов'язує зі своїм майбутнім (Г. Олпорт), образ того, якою людина хоче або сподівається стати в майбутньому для досягнення адекватності і досконалості (М. Комбс, Д. Соупер), ідеальний образ культурних ідеалів, уявлень і норм поведінки, які стають особистими ідеалами завдяки механізмам соціального підкріплення і здійснюють регулюючу функцію, відповідальну за відбір вчинків.

З точки зору У. Х'юїта, якщо «реальне Я» і «ідеальне Я» різко відрізняються, то їх низька конгруентність (збіг) породжує низьку самооцінку, високу тривожність та ознаки депресії. Розбіжності між "реальним Я" і "ідеальним Я" можуть призводити до спотвореного сприйняття реальності, породжувати різні психологічні труднощі: якщо виникає неузгодженість між реальним досвідом і "реальним Я", то може виникати психологічна дезадаптація як результат спроб захистити сформовану Я-концепцію від загрози зіткнення з таким досвідом, який з нею не узгоджується. Це призводить до викривлення в сприйнятті досвіду або до його ігнорування в формі невірної його інтерпретації (У. Х'юїт, К. Роджерс).

Згідно феноменологічного підходу в психології розуміння людиною того чи іншого фактору життя виходить з вражень суб'єкта, що є результатом його минулого і сьогоденного досвіду, заснованого на центральній ланці – самосприйнятті (а не з позиції зовнішнього спостерігача). Відповідно до цього індивід не може змінити самі події, але може змінити їх сприйняття і інтерпретацію. За Д. Майерсом, «Я-концепція» – це комплекс Я-структур (психічних моделей), за допомогою яких ми організовуємо наше життя. Я-структура репрезентується Майерсом як віра в себе (довіра до самого себе), що організовує і спрямовує в певному напрямку обробку інформації стосовно самої людини. Ці елементи «Я-концепції» впливають на те, як ми сприймаємо, запам'ятовуємо і оцінюємо інших людей і себе. З точки зору Д. Майерса «Я-концепція» включає в себе не тільки переконання індивіда в тому, хто він зараз, але і те, ким він міг б стати, тобто його можливі Я. В структурі «Я-концепції» відображаються необхідні взаємини, взаємовпливи між окремими психічними явищами, психікою та іншими системами, що забезпечують оптимальне і позитивне відношення особистості до себе і навколишнього оточення. Будучи внутрішнім екзистенціальним ядром особистості, «Я-концепція» забезпечує внутрішню узгодженість і саморегуляцію індивіда, його задоволеність життям, регулює емоційний стан та інтерпретує досвід.

Таким чином, «Я-концепція» особистості є важливим фактором організації психіки і поведінки індивіда, оскільки визначає інтерпретацію досвіду і є джерелом індивідуальних очікувань. Згідно В. С. Агапову, вона «є санкціонуючим механізмом по відношенню особистості до себе і зовнішнього світу. Формується за законами логіко-мовного мислення. Вона пов'язує якості у відношенні до себе та зовнішнього світу в минулому, майбутньому і сьогоденні, частково існує і в сфері несвідомого». «Я-концепція – це цілісна система, що поєднує в собі «всі ідеї і уявлення людини про себе і про свою взаємодію з навколишнім

світом. Звідси випливає, що вона складається, з одного боку, з самопрезентації, а з іншого боку, з об'єктивних репрезентацій». Репрезентації – це субмоделі, які людина вибудовує щодо себе і до навколишнього світу; їх своєрідність визначається різними зв'язками і переплетіннями. Згідно теорії ініціативних психологічних систем В. Є. Клочко, відносини (як причина взаємодії людини зі світом) об'єктивуються в предметі і стають властивостями предмета, а предмет стає носієм суб'єктивних якостей, тобто, взаємодіючи із зовнішнім, людина взаємодіє і з самою собою, перетвореною у властивостях зовнішнього і об'єктивованою в ньому. Таким чином, під Я-концепцією слід розуміти динамічне психологічне утворення, яке включає в себе відображення суб'єктом власного рівня активності, пов'язаного з проектуванням своєї життєвої перспективи. Це має відношення до самоцінності позиції особистості, яка обумовлена рівнем довіри до себе.

Я-концепцію особистості необхідно розглядати в трьох часових вимірах:

- минуле як інтерпретація досвіду;
- даний час як дії індивіда в конкретній ситуації;
- майбутнє як побудова перспектив майбутнього (очікування індивіда).

На підставі науково-теоретичного аналізу Є. П. Белінська відзначає, що «ідея» часу Я-концепції «явно або неявно була присутня і присутня наразі при аналізі можливих факторів формування уявлень про себе...». Так, «багато дослідників зверталися і звертаються до ідеї актуалізації того чи іншого тимчасового «модусу» Я-концепції при аналізі мотивації ... ідея тимчасової представленості Я-уявлень, і особливо їх узгодженості, певної зв'язаності, сьогодні присутня практично у всіх психотерапевтичних практиках, традиційно вважаючись найважливішим психічним показником психічного здоров'я людини». Починаючи з класичних робіт У. Джеймса, в поняття «Я-концепції» закладалося не тільки актуальне самовизначення особистості, але і те, як сам індивід оцінює можливості свого розвитку в майбутньому. Саме ідея «актуального Я» (яке відноситься до майбутнього) була покладена Джеймсом в основу самооцінки як одна з фундаментальних складових Я-концепції. М. Розенберг і Г. Каплан виділяють різні «плани функціонування» «Я-концепції» (план реальності, план фантазії, план майбутнього тощо, в тому числі і план можливості), що задають її багаторівневість як з точки зору «об'єктивного» побудування, так і «суб'єктивного» існування. В рамках аналізу структури Я-концепції як цілісного утворення вони вводять поняття «можливого Я», яке більш детально і у відриві від ідеї його рівневі побудови розробляється в концепції Х. Маркуса, в якій було зроблено певну спробу вирішення проблеми мінливості / стабільності «Я». У своїй концепції Маркус запропонував зняти цю суперечність, ввівши поняття «робочої Я-концепції», яка визначається як Я-концепція в даний час і в заданому соціальному контексті взаємодії, як частина загального репертуару Я, що визначається на мікро- і макросоціальної рівні.

Втім слід зауважити, що, незважаючи на очевидну близькість, психологічні поняття самооцінки і Я-концепції мають певні відмінності. Я-концепція представляє набір швидше описових, ніж оціночних, уявлень про себе. Хоча, звичайно, та чи інша частина Я-концепції може бути забарвлена позитивно чи негативно. Поняття самооцінки, навпаки, безпосередньо пов'язане з тим, як людина оцінює себе, свої власні якості. Самооцінка відноситься до центральних утворень особистості, її ядра. Вона в значній мірі визначає соціальну адаптацію індивідуума, є регулятором його поведінки і діяльності. Хоча, звичайно, слід віддавати собі звіт в тому, що самооцінка не є щось дане, спочатку властиве особистості – її формування відбувається в процесі соціалізації, в процесі діяльності та міжособистісної взаємодії. Соціум у значній мірі впливає на формування самооцінки особистості, тож ставлення людини до самої себе є найбільш пізнім утворенням в системі відносин людини до світу.

Якщо людина зазнала впливу обставин і волі інших людей, йдеться про депривованість особистості (від лат. "deprive" – позбавляти) з відчуттями підпорядкованості, відчуженості, фрагментарності власного життя. Досвід депривації призводить до порушення психологічних кордонів і, як наслідок, до зниження адаптації, життєвої ефективності, і в кінцевому етапі – до підвищення рівня віктимності.

Є. В. Руденський психологічним механізмом віктимності вважає дефіцит культурного потенціалу особистості, що розвивається. Саме цей дефіцит створює загрозу її адаптації, самоактуалізації і повноцінному соціальному функціонуванню.

Віктимність в даному випадку - це своєрідний різновид психокультурного статусу, що означений дефіцитарною деформацією розвитку особистості і включає цілий ряд ознак:

- суб'єктивну незадоволеність;
- втрату ідентичності внаслідок хронічного переживання страху, тривожності, стресів, фрустрації;
- дезінтеграцію індивідуальної «Я-системи»;
- втрату психокультурної автономності;
- формування психокультурного конформізму;
- неадекватне сприйняття реальності;
- неадекватні самопізнання, самопереживання самооцінку;
- зниження толерантності до фрустрації;
- порушену резистентність по відношенню до стресу;
- патогенну і деструктивну соціальну адаптацію;
- агресивно компенсує самоствердження.

Таким чином, несприятлива Я-концепція (слабка віра в себе, побоювання отримати відмову, низька самооцінка), що виникнула, призводить в подальшому до порушень поведінки. При цьому Х. Ремшідтом виділяються такі дії несприятливої Я-концепції:

- 1) зниження самоповаги і часто як наслідок - соціальна деградація, агресивність;
- 2) стимуляція конформістських реакцій у важких ситуаціях. Такі люди легко піддаються впливу групи;
- 3) глибока зміна сприйняття.

Таким чином, психологічним механізмом віктимності є сукупність деформованих конструктів Я-концепції й соціально обумовлених властивостей особистості: повне або часткове руйнування базисних переконань, що стосуються позитивного Я-образу, цінності та значущості «Я», формування негативних комунікативних установок і сценаріїв життя, порушення кордонів психологічного простору. На думку Д. В. Рівмана, віктимні схильність та здатність - відносно специфічні особистісні якості. Вони існують об'єктивно тільки як системні елементи, а суб'єктивні якості віктимності об'єктивізуються як елементи системи «людина – середовище».

Аналіз розглянутих позицій дозволяє зробити висновок, що віктимність доволі міцно закріплюється в поведінці, скоує життєвий потенціал особистості, перешкоджає жити повноцінним життям. Віктимна особистість відчуває дефіцит життєстійкості (С. Мадді, 2005) – інтегральної особистісної особливості, що відповідає за успішність подолання життєвих труднощів. У літературі можна зустріти близькі поняття: життєздатність (Б. Г. Ананьєв), життєтворчість (Д. А. Леонт'єв), зрілість (В. І. Слободчиков, С. Л. Рубінштейн).

Інтерес до проблем віктимності виникає в 40-х рр. ХХ ст. в рамках криминологічного напрямку, що досліджує характер і поведінку жертв злочинів. Однак надзвичайне різноманіття негативних соціальних, психологічних і моральних впливів на людину з боку природного, житлового, робочого, соціального середовища, а також кризового внутрішнього середовища самої людини сприяло розширенню класичного об'єкта віктимологічної науки. На сучасному етапі віктимологія здійснює комплексний аналіз феномена жертви у осіб, що

знаходяться в кризовому стані, опинилися в складних життєвих ситуаціях, а також виконують свої професійні обов'язки в умовах підвищеного ризику для життя.

Віктимність – системна і динамічна властивість особистості, що виявляється в формі її соціального, біологічного, психологічного та морального деформаційного відхилення, закріпленого в звичних формах поведінки, які не відповідають нормам безпеки і обумовлюють потенційну або реальну схильність суб'єкта ставати жертвою (Д. В. Рівман, 2002; Т. В. Варчук, 2009 і ін.). В основі віктимності лежить соціально-психологічний механізм, заснований на взаємодії зовнішніх, соціальних і внутрішніх, психологічних факторів. Особливий інтерес представляють аналіз психологічних механізмів віктимності як сукупності внутрішніх детермінант, що обумовлюють дисбаланс між негативними зовнішніми впливами і здатністю долати різні ризики, загрози, небезпеки. Різними дослідниками виділяються класифікуються різні види цього явища. Ріпецька виділяє чотири різновиди: 1) віктимогенну деформацію особистості; 2) професійну, або «рольова», віктимність; 3) вікову віктимність; 4) «віктимність-патологію». Втім слід зазначити, що в реальному житті зазначені прояви віктимності нерідко супроводжують або накладаються один на одного і в «чистому» вигляді зустрічаються досить нечасто. В свою чергу Коїті Міядзава виділяв як загальну віктимність, що залежить від соціальних, рольових і гендерних характеристик, так і спеціальну, що реалізується в установках, властивостях і атрибуціях особистості.

Віктимність та віктимна поведінка особи є предметом наукових досліджень Д. В. Рівмана, Л. В. Франка, Т. В. Варчук, А. Л. Ріпецької, О. О. Андронникової, К. Міядзави та ін., між тим як розгляд Я-концепції широко репрезентовано в роботах Р. Бернса, К. Роджерса, У. Х'юїта, Д. Майерса, В. С. Агапова та ін.

Якщо говорити про типологію віктимності, то вона визначається типом нервової системи, в якій віктимність проявляється. Крім цього можна розрізняти ситуативну віктимність і особистісну віктимність, якщо говорити про неї як про стан або як про особистісний радикал. Віктимність можна класифікувати за ступенем усвідомленості і, нарешті, віктимність може бути активною або пасивною (щодо небезпеки і ризику); крім того вона завжди передбачає суб'єкт-об'єктні або суб'єкт-суб'єктні відносини. У небезпечній ситуації діяльності існують досить потужні передумови віктимогенності, які, поєднавшись з особистісними психологічними факторами потенційної віктимності особи, ведуть до різних реальних проявів у вигляді уразливої, неадекватної поведінки, тобто поведінки віктимної.

Аналіз змісту даних понять дозволяє виявити характеристики, протилежні сутності і змісту віктимності особистості (Табл. 2).

Таблиця 2. Характеристики віктимної та життєздатної особистості

<i>Віктимність</i>	<i>Життєстійкість</i>
Пасивна життєва позиція, відсутність усвідомленої відповідальності за себе і своє майбутнє	Активність, здатність приймати власні рішення і свідомо здійснювати вибір в складних ситуаціях
<i>Залежність</i>	<i>Автономність</i>
Адаптація по пасивному типу, пристосування до ситуацій стагнучими і руйнівними способами	Трансадаптація (М. Ш. Магомед-Емінов) - адаптація, пов'язана з самореалізацією, самоствердженням
<i>Закритість, відокремленість</i>	<i>Залученість до процесу життя</i>
Вибір на користь минулого (застій і регрес)	Вибір на користь майбутнього (розвиток)

Віктимність співробітників ДСНС – це сукупність особистісних передумов, якостей і елементів професійної невідповідності, що визначають схильність і потенційну можливість для працівника, виконуючого службові обов'язки в ситуаціях реальної небезпеки (пожежі,

техногенної катастрофи, стихійного лиха та ін.) стати жертвою, понести певні фізичні і психологічні втрати, отримати тілесні ушкодження різного ступеню тяжкості. Віктимність поєднує в собі, з одного боку, негативні психологічні характеристики особистісних якостей і станів, незадовільний рівень професійно-психологічної підготовленості, що збільшують ступінь уразливості і схильності співробітників до нещасних випадків і, з іншого боку, психологічні характеристики суб'єкта, такі як його вік, стать, рівень освіти, життєвий досвід, період заняття «небезпечною» професією та ін. – тобто віктимна поведінка відображає практичну реалізацію потенційної (можливої, прихованої) віктимності при виконанні службових обов'язків співробітниками органів ДСНС в небезпечних ситуаціях. Практично вона виражається або в необережній, тактично безграмотній, непрофесійній поведінці рятувальника в об'єктивно небезпечній ситуації, або в «конструюванні» такої небезпечної ситуації своєю поведінкою (зокрема неадекватне ставлення до безпеки та ризику). Професійна віктимність має рівневі відмінності: незначна, середньо-виражена, підвищена (значна) і висока; її різновидами (і водночас її складовими частинами) виступають:

- 1) потенційна,
- 2) реалізована ,
- 3) нереалізована віктимності.

Потенційна професійна віктимність має у рятувальників різні рівні вираженості – від незначного, що практично не впливає на ефективність діяльності, до середнього і значного рівнів, що істотно збільшують віктимні потенції і особистісну вразливість при виконанні службових обов'язків. При настанні віктимологічної (небезпечної для життя або здоров'я) ситуації саме значний і високий рівні потенційної віктимності часто призводять до негативних наслідків як для фізичного стану організму, так і для психіки співробітника служби порятунку, тож виявлення та аналіз зв'язку соціально-психологічної сутності суб'єкта і його схильності до проявів віктимної поведінки, так само як і виявлення самого рівня потенційної віктимності повинно бути одним із ключових факторів як у процесі відбору потенційних рятувальників, так і в процесі їх подальшої професійної діяльності з метою зменшення травматизму під час виконання службових обов'язків в умовах надзвичайних ситуацій.

Як вже зазначалось вище, аналіз схильності до віктимних проявів не можна розглядати без урахування певних психолого-соціальних (особистісних) характеристик суб'єкта, тож діагностика таких проявів повинна проводитися в різних напрямках дослідження особливостей психофізіологічного стану респондента. Така діагностика вимагає комплексного підходу, тож, на наш погляд, потребує вибору та використання декількох різнопланових методик.

Як правило, будь-яка надзвичайна ситуація пов'язана з небезпекою для життя і здоров'я людини і це цілком закономірно викликає у неї почуття страху, розгубленості, часто визначає неадекватну поведінку. Невміння діяти в складній ситуації і виникнення страху змушує людину вести себе неправильно, опиняючись в положенні жертви надзвичайних обставин, а психічна реакція на екстремальні умови, особливо у випадках значних матеріальних втрат і загибелі людей, може надовго позбавити здатності до раціональних вчинків та дій. Віктимність поєднує в собі, з одного боку, негативні психологічні характеристики особистісних якостей і станів, незадовільний рівень професійно-психологічної підготовленості, що збільшують ступінь уразливості і схильності співробітників до нещасних випадків і, з іншого боку, психологічні характеристики суб'єкта, такі як його вік, стать, рівень освіти, життєвий досвід, період заняття «небезпечною» професією та ін. – тобто віктимна поведінка відображає практичну реалізацію потенційної (можливої, прихованої) віктимності при виконанні службових обов'язків, зокрема співробітниками органів ДСНС, в небезпечних ситуаціях.

Для розкриття особливості віктимності необхідний системний аналіз структури особистості як ієрархічного утворення, що включає психофізіологічний, психологічний і соціально-психологічний рівні, які послідовно формуються в онтогенезі і грають домінуючу роль в проявах і рівнях різних видів віктимності. Розробка методів дослідження віктимності особистості повинна стимулювати комплексний підхід, який забезпечує охоплення основних психологічних процесів, що детермінують прояви віктимності: 1) мотиваційно-цільових; 2) когнітивних; 3) комунікативних; 4) емоційних; 5) регуляторних (вольових).

Взаємодія зазначених психологічних процесів і властивостей особистості і складає психологічний механізм віктимності і віктимізації.

Загалом віктимна поведінка відображає практичну реалізацію потенційної віктимності рятувальника при виконанні службових обов'язків в небезпечних ситуаціях: вона репрезентується або в необережній, тактично безграмотній, непрофесійній поведінці в умовах об'єктивно небезпечної ситуації, або ж в «конструюванні» такої небезпечної ситуації своєю поведінкою (тобто «примірювання» стану жертви до себе).

Загалом, торкаючись процесу віктимізації (як процесу «придбання» віктимності співробітниками ДСНС), слід відзначити вплив дії ряду факторів, а саме: а) особистісних передумов і якостей (агресивність, низька комунікативність, толерантність, схильність до ризику, сенсомоторна вразливість, емоційна неврівноваженість і ін.); б) часто пережитих психічних станів (стомлення, дистрес, індивідуальна паніка і ін.); в) відсутності достатніх професійних знань і умінь, що визначають низьку ефективність дій і особистісну вразливість при діях в небезпечних для життя і здоров'я ситуаціях; г) недостатності професійного досвіду при виконанні службових завдань в небезпечних для життя і здоров'я ситуаціях.

Для розкриття психологічних механізмів віктимності необхідний системний аналіз структури особистості як ієрархічного утворення, що включає психофізіологічний, психологічний і соціально-психологічний рівні, які послідовно формуються в онтогенезі і грають домінуючу роль в проявах і рівнях різних видів віктимності. Розробка методів дослідження віктимності особистості має стимулювати комплексний підхід, який забезпечує охоплення основних психологічних процесів, що детермінують прояви віктимності; втім, на жаль, цей матеріал в сучасній психологічній науці знаходиться в стані певної розробки – тож єдиного комплексного підходу до вирішення цього питання не існує: для діагностування віктимності (зокрема у співробітників, чия робота пов'язана з певними ризиками для життя) різними авторами пропонуються різні набори методик. Враховуючи різнобічність аспектів можливої віктимної реалізації, на підставі аналізу теоретичної бази досліджень віктимності та зумовленості віктимних проявів, для проведення досліджень нами було обрано три наступні методики:

- тест О. О. Андронникової на виявлення схильності до віктимної поведінки;
- опитувальник МДС (рос. МИС) С. Пантелєєва / В. Століна;
- тест Q – сортування В. Стефенсона (метод q-sorttechnique).

Для досягнення поставленої мети та вирішення поставлених задач дослідження проводились на базі 31 (частково 49) державних пожежно-рятувальних частин Головного управління ДСНС України у Дніпропетровській області. В дослідженні прийняли участь 60 рятувальників у віці 23-45 років, з різним рівнем професійної підготовки, а також різними строками служби у структурі ДСНС.

Виявлення взаємозв'язку між віктимністю та аспектами психологічного стану (самооцінки) розраховувалося за допомогою математичних методів, зокрема методу кореляції Пірсона (як найбільш відповідного нашому варіанту розрахунків).

Загальний аналіз анкет тесту на схильність до віктимної поведінки показав, що за майже всіма шкалами переважна більшість опитуваних показала результати в межах норми (4-7 степенів); кількість показників вище і нижче норми варіюється в залежності від шкал:

а) шкала реалізованої віктимної поведінки (основний показник, на який ми спираємось) – високі (8-10) у 12 осіб, інше – норма;

б) шкала схильності до агресивної віктимної поведінки - високі (8-10) у 32 осіб, нижче норми (1-3) у 8 осіб, інше – середні показники;

в) шкала схильності до саморуйнівної поведінки – високі (8-10) у 15 осіб, нижче норми (1-3) у 6 осіб;

г) шкала схильності до залежної і безпомічної поведінки – нижче норми (1-3) у 7 осіб, інше – норма;

д) шкала (модель) некритичної віктимної поведінки – показники вище норми спостерігаються у 9 осіб, нижче норми (1-3) у 4 осіб.

Зведені загальні результати тесту на віктимність (за результатами опитувальника О. Андронникової) представлено нижче у вигляді Таблиці 3.

Таблиця 3. Середні значення схильності до проявів віктимної поведінки співробітників ДСНС за методикою Андронникової О. О.

	<i>Види схильностей до проявів віктимної поведінки співробітників ДСНС</i>	Бали
1.	Агресивна віктимна поведінка	4,8
2.	Схильність до саморуйнуючої (активної) віктимної поведінки	6,05
3.	Гіперсоціальна (ініціативна) віктимна поведінка	5,8
4.	Залежна безпорадна (пасивна) віктимна поведінка	4,3
5.	Некритична віктимна поведінка	4,7
6.	Реалізована віктимність	5,6

Показники шкали схильності до саморуйнуючих (саморуйнівних) віктимних проявів (модель активної віктимної поведінки) виявилися наближеними до межі норми у всіх опитуваних (6,05 стенов). Як можна помітити з результатів обробки анкет, також спостерігається наближений до підвищеного рівень за шкалами реалізованої віктимної поведінки (5,6 стенов) та ініціативної віктимної поведінки (5,8 стенов) – він виявився характерним для переважної кількості групи опитуваних (враховуючи індивідуальні результати тестувань), причому однакові показники виявилися у респондентів як різних вікових категорій, так і маючих різний стаж роботи за даним фахом. Поясненням такому явищу, з нашої точки зору, може бути специфічність професійної діяльності рятувальника, а саме – наявність ризиків для життя та здоров'я в умовах надзвичайних ситуацій, а також реалізація в цих умовах певного типу поведінки (жертвної, соціально схваленої і очікуваної чи то прогнозованої). За іншими показниками результати в межах норми спостерігаються у всієї групи респондентів (за незначними винятками по кожній шкалі окремо) – тобто в загальному плані ми можемо говорити про досить стабільний, середній рівень віктимності, що є цілком нормативним показником для групи.

Середні значення показників шкал за опитувальником С. Пантелеєва / В. Століна теж знаходяться в межах психологічної норми, про що свідчать наведені нижче дані.

Особливо відзначимо «наближення» до високого рівню значень (7 стенов) шкал самовпевненості, самокерування і дзеркального Я (6,1; 6,2; 6,2 стенов відповідно), що свідчить про чітке усвідомлення власного «Я» як внутрішнього стрижня, що інтегрує і організує особистість і життєдіяльність індивіда; є ознакою високої зарозумілості, самовпевненості, відсутності внутрішньої напруженості і цілковитої задоволеності від оцінки своїх якостей оточуючими. Дещо нижчими є показники шкал самоцінності, самоприйняття та самоприв'язаності (5,9; 5,8 та 5,7 стенов відповідно) як ознаки дружнього відношення до себе, що проявляється в емоційному, безумовному сприйнятті себе таким, який є, навіть з небажанням змінюватися у відповідності до певних вимог оточення чи то обставин).

Таблиця 4. Середні значення показників за методикою МДС (МИС) у співробітників ДСНС

№	Шкали за методикою МИС	Бали
1	Закритість	4,2
2	Самовпевненість	6,1
3	Самокерування	6,2
4	Дзеркальне Я	6,2
5	Самоцінність	5,9
6	Самосприйняття	5,8
7	Самоприв'язаність	5,7
8	Внутрішняконфліктність	4,4
9	Самозвинувачення	4,8

Результати тестування за третьою обраною методикою мало чим відрізняються від результатів двох попередніх тестувань – як і в вищенаведених прикладах, показники середніх значень шкал є досить середніми. Зведені результати опитування за методикою В.Стефенсона наведено в таблиці:

Таблиця 5. Таблиця середніх показників за методикою Q-test (класифікація) у співробітників ДСНС

№	Шкали за методикою Q-test	Бали
1	залежність	9,1
2	незалежність	8,1
3	товариськість	9,6
4	нетовариськість	7,2
5	прийняття боротьби	9,2
6	неприйняття боротьби	8,5

Як можна зрозуміти, всі наведені показники знаходяться в межах психологічної норми (7-14 балів), що свідчить про достатньо спокійну емоційну обстановку в групі.

Як зазначалося вище, при розкритті психологічних механізмів віктимності необхідний системний аналіз структури особистості як ієрархічного утворення, що включає психофізіологічний, психологічний і соціально-психологічний рівні, які послідовно формуються в онтогенезі і грають домінуючу роль в проявах і рівнях різних видів віктимності. Тож аналіз суб'єктивних самовідчуттів цілісності і осмисленості індивідом свого «Я» є одним із засобів виявлення зв'язку між емоційно-психологічним станом суб'єкта та реалізацією віктимності. Нижче наведено зведені результати опитування респондентів, проведені за методикою С. Пантелєєва / В. Століна, у співвідношенні до результатів тесту на віктимність (Табл. 6).

Аналіз співвідношення показників шкал тестів загалом показує слабкий або помірний зв'язок між окремими складовими психологічного стану (елементами самоствавлення) і моделями віктимної поведінки всередині групи, що означає цілком незначний вплив особистісних психологічних рис респондентів на формування того чи іншого типу узагальнених віктимних поведінкових проявів (і навпаки).

Втім окремо слід відзначити зв'язок (в межах слабого показника) між самоприв'язаністю та схильністю до само руйнуючої віктимної поведінки – саме ця складова самоствавлення (відповідно до результатів тестів) досить суттєво впливає на механізм формування даного типу моделі активної віктимної поведінки. Враховуючи достатню кількість респондентів (чверть опитуваних) з показниками схильності до реалізації само руйнуючих віктимних проявів, а також наявність значної кількості опитуваних з позитивним

полюсом за шкалою самоприв'язаності – що найчастіше репрезентується схильністю індивідуума до неадекватного Я-образу, – можна говорити про певні ризики виникнення окремих провокуючих або само спричинених віктимних моментів, що характеризуються схильністю до ризику, необдуманій поведінки, часто небезпечної для себе і оточуючих.

Таблиця 6. Співвідношення показників віктимності і показників шкал МДС (МИС)

Віктимність. МДС	Агресивна віктимна поведінка	Схильність до саморуйнуючої віктимної поведінки	Гіперсоціально-віктимна поведінка	Залежна безпорадна віктимна поведінка	Некретична віктимна поведінка	Реалізована віктимність
Закритість	-0,0440	0,121	0,280**	0,166	0,182	0,160
Самовпевненість	0,150	-0,044	-0,042	0,163	-0,140	0,076
Самокерованість	0,1180	0,064	0,196927	0,039	-0,096	0,009
Дзеркальне Я	-0,042	0,103	-0,136	0,115	0,0028	0,058
Самоцінність	-0,018	-0,121	0,081	0,221*	0,158	-0,017
Самоприйняття	0,023	-0,094	-0,192	0,094	-0,194	-0,017
Самоприв'язаність	0,203	-0,232*	0,130	0,022	0,062	0,315**
Внутрішній конфлікт	-0,146	0,110	-0,045	0,095	0,339**	0,154
Самозвинувачення	0,001	-0,020	0,226*	0,089	0,032	0,182

* $p \leq 0,05$, ** $p \leq 0,01$, *** $p \leq 0,001$

Набагато частіше спостерігається зворотній вплив того чи іншого типу віктимної поведінки на формування складових психологічного стану (елементів самоставлення). Так, згідно результатів анкетування реалізована віктимність впливає на самоприв'язаність (цей показник коливається в межах середнього рівню зв'язку), що може свідчити про вплив вищезначеної віктимної моделі (до речі, притаманної для осіб, що досить часто опиняються в умовах небезпечних для здоров'я і життя ситуацій) на формування як захисних механізмів самосвідомості, так і певного особистісного способу поведінки в умовах надзвичайної ситуації.

Також в межах середнього рівню спостерігається вплив гіперсоціальної віктимної поведінки на закритість (відвертість) респондентів: аналізуючи результати тестів, можна сказати, що така модель ініціативної віктимної поведінки (показники вище норми у значно переважній більшості опитуваних) сприяє формуванню вираженої мотивації соціального схвалення, небажанню розкриватися (бути відвертим) і видавати значущу інформацію про себе (наявність позитивного полюсу по шкалі МДС (МИС) у переважній більшості респондентів).

Слабкий рівень впливу спостерігається в парах «залежна безпомічна віктимна поведінка – самоцінність» та «гіперсоціальна віктимна поведінка – самозвинувачення». В першому випадку формування відчуття цінності власної особистості, як і потенційне сприйняття можливої цінності свого «Я» для інших (позитивний полюс за шкалою МДС (МИС) у переважній більшості респондентів) спостерігається на тлі достатньо стабільного для представників усієї групи середнього рівня реалізації моделі пасивної віктимної поведінки, що характеризується спокійним, врівноваженим ставленням до ситуації і адекватною реакцією на власні дії в певних умовах. Стосовно іншої пари – «гіперсоціальна віктимна

поведінка – самозвинувачення», – можна відзначити формування у переважної більшості респондентів відсутності негативних емоцій на свою адресу, здатності сприймати свої прорахунки адекватно (негативний полюс за шкалою МДС у значній кількості респондентів) в умовах постійної емоційної напруги, що характерна для реалізації моделі ініціативної віктимної поведінки.

Також спостерігається вплив типу некритичної віктимної поведінки на показники внутрішнього конфлікту (в даному випадку спостерігаємо середній рівень зв'язку). Дана модель віктимної поведінки репрезентується в межах норми у переважної більшості респондентів і характеризується проявами обачності, вмінням правильно оцінювати життєві ситуації, певною мірою вдумливістю та обережністю (що можна певною мірою віднести до специфічності роботи рятувальника). Водночас саме такий тип поведінки може «провокувати» виникнення внутрішніх конфліктів, незгоди з собою, самокопання, суперечливості «Я» (особливо в випадках низьких показників за шкалою схильності до віктимної поведінки) – тобто внутрішньоособистісних проблем суб'єкта, що можуть відбитися на якісних показниках виконання службових обов'язків.

Аналіз тестових результатів опитувальника (Q-класифікації В. Стефенсона) у співвідношенні до результатів тесту на схильність до віктимності, демонструє, як і в попередньому випадку, слабкий або досить незначний зв'язок між складовими шкалами обох методик, що теж певною мірою свідчить про критично незначущі взаємовпливи між окремими тенденціями і моделями віктимної поведінки серед респондентів.

Нижче наведено зведені результати опитування респондентів, проведені за методикою В. Стефенсона, у співвідношенні до результатів тесту на віктимність:

Таблиця 7. Співвідношення показників віктимності та тенденцій шкал Q-сортування (класифікації)

Віктимність. Q- тест	Агресивна віктимна поведінка	Схильність до саморуйнуючої віктимної поведінки	Гіперсоціальна віктимна поведінка	Залежна безпорадна віктимна поведінка	Некритична віктимна поведінка	Реалізована віктимність
Залежність	0,248*	0,123	0,037	0,112	-0,072	-0,025
Незалежність	-0,245*	0,039	-0,141	-0,079	0,137	0,053
Товариськість	-0,224	-0,243*	0,075	0,101	-0,039	0,007
Нетовариськість	0,082	-0,091	-0,070	-0,187	0,034	-0,102
Прийняття «боротьби»	0,163	0,037	0,133	-0,171	0,162	0,038
Уникнення «боротьби»	-0,013	0,038	-0,115	0,233	-0,075	0,038

* $p \leq 0,05$, ** $p \leq 0,01$, *** $p \leq 0,001$

Серед рис, що, згідно результатів опитування, впливають на механізм формування / реалізації віктимності (а саме моделі активної віктимної поведінки), слід визначити товариськість – тут спостерігається слабкий рівень зв'язку. Приймаючи до уваги той факт, що реалізація такого типу віктимної поведінки «потребує» наявності певного елемента

жертвності (усвідомленого чи ні), найчастіше пов'язаного з активною поведінкою індивіда в складних умовах, товариськість як прагнення особистості утворювати емоційні зв'язки у своїй групі, обумовлює саме такий варіант реалізації віктимних поведінкових проявів. Супутнім фактором такого формування знов-таки виступає специфіка професійної діяльності у підрозділах ДСНС (зокрема караулах), що побудована на принципі командної роботи. До тенденцій, що впливають на реалізацію віктимних проявів, зокрема моделі агресивної віктимної поведінки, відноситься незалежність; між цими показниками спостерігається слабкий рівень зв'язку. Такий тип поведінкових реалізацій як агресивна віктимна поведінка репрезентується достатньо високим рівнем агресії в плані реалізації життєвих установ, а також схильністю до потрапляння в небезпечні для життя умови. Внутрішнє і зовнішнє прагнення не приймати групові стандарти характеризують особистість з бійцівськими якостями, непокірну волі лідера, незалежну в своїх вчинках, впевнену в тому, що вона веде себе правильно, тобто особистість цілком незалежну. Втім водночас саме така особистість схильна до реалізації моделі агресивної віктимної поведінки з усіма можливими негативними наслідками. Результати тестування свідчать про наявність такої тенденції в групі (враховуючи достатню кількість респондентів з показниками вище норми за цією шкалою віктимності). В свою чергу спостерігається вплив даного типу віктимної поведінки на тенденцію залежності (як і в попередніх випадках рівень зв'язку слабкий). Дану позицію можна означити як наявність в колективі як певної лідерської «групи» (про що свідчать вищенаведені результати), так і групи «помірної», що характеризується внутрішнім і зовнішнім прагненням індивідів до прийняття групових стандартів і цінностей: соціальних, морально-етичних.

Таким чином аналіз співвідношення показників шкал тестів загалом показує слабкий або помірний зв'язок між окремими складовими психологічного стану (елементами самовідношення) і моделями віктимної поведінки в групі – по переважній більшості факторів співвідношень ступінь зв'язку наближається до 0 (або незначно його перевищує); тобто в даному випадку можна говорити про відсутність впливу означених тенденцій на формування такого типу віктимної поведінки всередині групи.

Зведені результати опитування респондентів, проведені за методикою С. Пантелєєва / В. Століна, у співвідношенні до результатів тесту на віктимність показують слабкий або помірний (середній) рівень зв'язку між окремими складовими психологічного стану (елементами самовідношення, самоствавлення) і моделями віктимної поведінки в групі. Окремо відзначимо зв'язок (в межах слабого показника) між самоприв'язаністю та схильністю до само руйнуючої віктимної поведінки – саме ця складова само ставлення впливає на механізм формування даного типу моделі активної віктимної поведінки, що може реалізуватися в створенні (провокуванні) віктимних моментів, що характеризуються схильністю до ризику, необдуманого поведінки, часто небезпечної для себе і оточуючих. Також спостерігається вплив типу некритичної віктимної поведінки на показники внутрішнього конфлікту (середній рівень зв'язку). Дана модель віктимної поведінки репрезентується в межах норми у переважній більшості респондентів і характеризується проявами обачності, вмінням правильно оцінювати життєві ситуації, певною мірою вдумливістю та обережністю (що можна певною мірою віднести до специфічності роботи рятувальника). Водночас саме такий тип поведінки може «провокувати» виникнення внутрішніх конфліктів, незгоди з собою, самокопання, суперечливості «Я» (особливо в випадках низьких показників за шкалою схильності до віктимної поведінки) – тобто внутрішньоособистісних проблем суб'єкта, що можуть відбитися на якісних показниках виконання службових обов'язків. Саме ці моменти, з нашої точки зору, вимагають певної уваги з боку представників психологічної служби і, безумовно, підлягають корекції.

Набагато частіше спостерігається зворотній вплив тієї чи іншої моделі віктимної поведінки на формування складових психологічного стану (елементів самоствавлення). Зв'язки такого типу спостерігаються в парах «реалізована віктимність – самоприв'язаність» (цей показник коливається в межах середнього рівню зв'язку), «залежна безпомічна віктимна поведінка – самоцінність» та «гіперсоціальна віктимна поведінка – самозвинувачення» (слабкий рівень), «гіперсоціальна віктимна поведінка – закритість (відвертість)» (показник в межах середнього рівню зв'язку).

Аналіз тестових результатів опитувальника (Q-класифікації В. Стефенсона) у співвідношенні до результатів тесту на схильність до віктимності, демонструє, як і в попередньому випадку, слабкий або досить незначний зв'язок між складовими шкалами обох методик, що теж певною мірою свідчить про критично незначущі взаємовпливи між окремими тенденціями і моделями віктимної поведінки серед респондентів. Серед рис, що, згідно результатів опитування, впливають на механізм формування / реалізації моделі певного типу віктимних поведінкових проявів, слід визначити товариськість (пара «товариськість – активна віктимна поведінка») та незалежність (пара «незалежність – агресивна віктимна поведінка»); в обох парах рівень зв'язку коливається в межах слабого. Водночас спостерігається вплив моделі агресивної віктимної поведінки на тенденцію залежності (рівень зв'язку слабкий). Дану позицію можна означити як наявність в колективі як певної лідерської «групи» (про що свідчать вищенаведені результати), так і групи «помірної», що характеризується внутрішнім і зовнішнім прагненням індивідів до прийняття групових стандартів і цінностей.

Підсумовуючи вищевикладене, слід відзначити, що обмеженість проведених досліджень незначною (в плані висвітлення проблеми взаємозв'язку віктимних проявів з всебічними аспектами Я-концептуальних особливостей особистості) кількістю отриманих даних не дозволяють створити повну картину причин виникнення віктимності в сфері професійної діяльності співробітників ДСНС. Однак проведені опитування та аналіз їх результатів дають можливість говорити про тісний зв'язок реалізації певних моделей віктимної поведінки з особистісними, психофізіологічними аспектами життя суб'єкта.

1.15. Study peculiarities of internal-personal conflict of students of NUCDU

1.15. Вивчення особливостей внутрішньоособистісного конфлікту у студентів НУЦЗУ

Проблема внутрішньоособистісних конфліктів поступово з кожним роком стає більш актуальною. Бурхливі зміни суспільних взаємовідносин, економічна нестабільність, ринкові відносини та розповсюдження інформаційного простору ведуть до розбалансування внутрішнього світу особистості. Звідси й походять конфлікти. Ці конфлікти можуть бути обумовлені різними формами дисонансу внутрішніх очікувань людини й зовнішніх можливостей їх здійснювати. Від діяльності особистості залежить спектр її почуттів, що переживає сама людина. Але саме в цьому спектрі й виникають багато розбіжностей.

Страхи, хвилювання й навіть неврози можуть виникнути внаслідок неусвідомлених внутрішніх розбіжностей особистості. Конфлікти, які знаходяться всередині особистості, відбирають у людини багато сил, викликаючи у неї тривогу, роздратування, злість, агресію, яка буде направлена не тільки на навколишніх людей, але і на саму себе. Надалі це загрожує утворенню гострих переживань, які вражатимуть людину, створюючи сильний дискомфорт, що може призвести до душевних негараздів (у вигляді панічних атак, неврозів, навіть спроб самогубства). З такими конфліктами необхідно боротися, шукати способи «полагодити» особистість, змінювати її старі установки, створювати нові цілі, мрії, перетворювати ставлення до себе і т.д.

Для психологічних досліджень, у нашій країні та поза нею, часто стають студенти. Головною причиною чому саме студенти стають об'єктом дослідження – це зростання соціальних вимог щодо якості підготовки майбутніх фахівців. Студент є важливою постаттю майбутнього суспільства, його розвитку та перетворень.

Сучасні дослідження, які проводять українські психологи, зумовлюють необхідність вивчати поведінку людей, особливості цієї поведінки, які існують у перехідних періодах розвитку суспільства. Студенти доволі часто не впевнені у майбутньому, психології особистості. Але недостатність її вивчення стримує дослідження особистості та механізмів допомоги людині, яка знаходиться у стані внутрішньоособистісного конфлікту.

Проблемою внутрішньоособистісного конфлікту у вітчизняній та зарубіжній психології займалися багато вчених, а саме: у вітчизняну психологію зробили вклад А. Н. Леонтьєв та К. Левін. Змістом їх праць було те, що конфлікт відбувається між частинами внутрішньої структури особистості, її мотивами й обумовлював необхідність вибирати між силами рівної величини, що впливають на особистість. До зарубіжної психології зробили більш значущий внесок такі вчені: А. Маслоу, К. Хорні, В. Франкл, З. Фрейд, К. Роджерс, Е. Фромм, В. С. Мерлін, Л. Фестінгера та інші.

Наприкінці XIX ст. Зігмунд Фрейд розпочав науковий аналіз психологічного захисту особистості й виник такий термін як «захисний механізм». Він вперше був озвучений в 1894 році. Фрейд казав, що захисні механізми є реакцією мозку на зовнішні подразники, які у свою чергу виникають несвідомо. Роблячи реальність не такою, яка вона є і підробляючи її сприйняття, вони допомагають знизити загрозу стресу.

Захисний механізм займає одне з важливих понять психоаналізу, яке являє собою способи самозахисту (тобто, захист свого "Я"). Це може виникнути під впливом суспільних вимог й канонів, які у будь-якому випадку діють на індивіда. Захисний механізм існує аби захистити людину від можливих хвилювань та острахів, які породжені нестабільністю народних поглядів і особистих поглядів людини.

В залежності як людина реагує на навколишні подразники можна виділити ряд механізмів психологічного захисту особисті. Основними є:

- проекція;

- регресія;
- витіснення;
- заміщення;
- сублімація;
- раціоналізація;
- заперечення;
- інтелектуалізація;
- ідентифікація;
- уява (фантазія).

Захисним механізмам притаманні такі властивості:

- можуть здійснюватися на підсвідомості;
- острах, що негативне перейде до розряду усвідомленого;
- викривляють реальність, що може більше нашкодити людині, ніж загроза, яка існує насправді.

насправді.

Тепер зупинимось на поясненні основних видів захисних механізмів:

1. Проекція.

Проекція - перенесення індивідуальних станів, думок й почуттів, які не приймаються особистістю, у навколишній світ або на інших людей. Тим самим, особа ніби перекладає «провину» на інших й знімає з себе відповідальність за негаразди у своєму житті. У даній ситуації має місце прийом, який відомий усім – вираження "сам ти дурень".

2. Регресія.

Регресія – повернення особистості на пройдешні рівні психічного розвитку (дитяча форма поведінки). Це повернення необхідне для того, щоб захистити індивіда від стресу й потрясінь. Люди «впадають в дитинство», тому що саме це вік вважають безпечним з боку світосприйняття. Проявом регресії буде те, що людина несвідомо часто бере в рот що потрапило – ручку, дужку очок, волосся. Ці дії свідчать ніби людина потрапила у дитинство, коли смоктала груди мами.

3. Витіснення.

Витіснення є фундаментом для більш складних захисних механізмів. Це процес, за допомогою якого відбувається ніби «видалення» або «забування» тих думок, переживань та спогадів зі свідомості, які завдають індивіду дискомфорт й незручності. Але є ризик, що ці витіснені погані спогади можуть повернутися назад й потрібно мати багато сил, аби придушити їх знову. Витіснені думки й спогади можуть проскакувати у снах, бо знаходяться у підсвідомості.

4. Заміщення. Заміщення – переадресування уваги з небезпечного на інший об'єкт. Бувають люди, які за природою слабкі й не можуть визволити свою агресію на інших, тому тримають все у собі. Результатом буде пригнічення емоційного аспекту, себе як індивідуальність, критикує себе.

5. Сублімація

Сублімація – заміна енергії, імпульсів, агресії на форми, які є більш прийнятими у суспільстві й для самого індивіда. Цими формами є творча діяльність та індивідуальні захоплення особи. Цей вид захисного механізму вважається більш правильним та здоровим механізмом. Тобто людина звільняє себе від агресії й імпульсів.

6. Раціоналізація.

Раціоналізація – спеціальне викривлення реальності для збереження високої самооцінки. Відбувається аргументація своїх вчинків для того, щоб гарантувати собі комфорт й не допустити внутрішньоособистісний конфлікт.

7. Заперечення.

Заперечення – рішуче не визнання поганої події. Часто цей механізм використовується, коли ведеться мова про здоров'я (не визнання серйозної хвороби).

8. Інтелектуалізація.

Інтелектуалізація – аналіз проблеми, яка стоїть перед особою, для якого характерне доведення до абсолюту ролі розумового компонента, але за умови повного ігнорування аналізу чуттєвих елементів. Всі значущі події і ситуації розглядаються без емоційно, нейтрально.

9. Ідентифікація.

Ідентифікація – ототожнення індивіда з іншою особою або групою, завдяки чому засвоюються приклади поведінки, формує свідомість і приймає ту чи іншу роль. Цей захисний механізм допомагає подолати тривогу і страх, формує впевненість у собі.

10. Уява.

Уява (фантазія) – спеціальна поведінка, коли проблема невизначена. Фантазія – створення способу поведінки, які замінюють реальну діяльність. Нерідко уява використовується для створення образу бажаного майбутнього для того, щоб втекти від внутрішньоособистісного конфлікту.

Можна констатувати те, що у нормальної людини упродовж всього життя спостерігається таке явище як конфлікт.

Конфлікт (від лат. *conflictus* – зіткнення) – зіткнення протилежно спрямованих цілей, мотивів, інтересів, позицій або поглядів опонентів, які спрямовані протилежно один до одного. Взагалі конфлікти бувають зовнішніми та внутрішніми.

Внутрішньоособистісний конфлікт (ВК) – це стан людини, який являє собою суперечність її протилежно спрямованих мотивів (цілей, інтересів, цінностей) внутрішнього світу особистості. Саме у цьому стані особа не може впоратися з цим конфліктом, не може виробити пріоритети поведінки.

У зарубіжній і вітчизняній психології формувалися різні судження щодо внутрішньоособистісного конфлікту:

- А. Маслоу розглядає ВК як нереалізовану потребу особи в реалізації своїх талантів й здібностей.

- К. Хорні розглядає ВК із двох сторін: як зіткнення прагнення до задоволення бажань і до безпеки і як суперечність "невротичних потреб", задоволення яких спричиняє придушення інших.

- В. Франкл описує зміст ВК як втрата сенсу життя та екзистенціальний вакуум.

- З. Фрейд у своїй теорії говорив, що конфлікт полягає у людських бажаннях, біологічними потребами й соціальним нормами. Одна сторона особи відстоює певні бажання, інша – заперечує їх.

- К. Роджерс говорив про конфлікт як розбіжність, що виникає в особі між усвідомленими помилковими самооцінками та самооцінкою на неусвідомлюваному рівні (між «Я-реальним» та ідеальним «Я»).

- А. Н. Леонтьєв казав, що конфлікт відбувається між частинами внутрішньої структури особистості, її мотивами.

- К. Левін обумовлював необхідність вибирати між силами рівної величини, що впливають на особистість.

Взагалі не існує точної класифікації внутрішньоособистісних конфліктів. Відомою класифікацією є А. Я. Анцупова та А. І. Шипілова. За основу вони взяли цілісно-мотиваційну сферу індивіда. В залежності від того, які частини внутрішнього світу особистості (цінності (тобто «треба»), мотиви (тобто «хочу»), самооцінка (тобто «можу»)) вступають в конфлікт, вони можуть поділятися на основні види внутрішньоособистісного конфлікту:

- Мотиваційний конфлікт.

Найпоширеніший вид ВК. Полягає у сперечанні між несвідомими прагненнями, між бажанням до безпеки й володіння, між двома позитивними тенденціями.

- Адаптаційний конфлікт.

Виникає через порушення балансу між суб'єктом та навколишнім середовищем. Тобто, розбіжність між вимогами, які направлені до особистості, та можливості самої особи.

- Конфлікт нереалізованого бажання (комплекс неповноцінності).

Виникає між прагненнями індивіда і дійсністю, яка блокує задоволення. Може з'явитися у людини в результаті фізичної неспроможності реалізувати це прагнення або бажання.

- Моральний (етичний) конфлікт.

Виникає між моральними принципами, обов'язкам та особистими бажаннями чи потребами.

- Рольовий конфлікт.

Виникає при переживанні, хвилюванні, вираженні у неможливості реалізувати декілька ролей одночасно. Також це може бути ВК між двома цінностями самої людини.

- Невротичний конфлікт.

Виникає при високій напрузі й боротьбою внутрішніх сил особи.

- Конфлікт неадекватної самооцінки.

Виникає при розходженні між скаргами особистості та оцінкою власних можливостей.

Іншою класифікацією є робота «Психологія індивіда і групи». Автори виділяють три види внутрішньоособистісних конфліктів:

- Конфлікт потреб.

Іноді потреби можуть бути направлені один проти одного й спонукати до різноманітних дій (або взагалі не можемо діяти).

- Конфлікт між потребою і соціальною нормою.

У цій ситуації має місце теорія З. Фрейда. Суперечності, з його слів, що викликають конфлікт, – це суперечності між Воно (Ід) та Над-Я (Супер-его). Воно – природжені або сліпі інстинкти, які потрібно негайно задовольнити. Над-Я – містить моральні норми та заборони, які особистість усвідомлює.

- Конфлікт соціальних норм.

Індивід може відчувати рівний натиск двох протилежних соціальних норм.

Існують позитивні та негативні функції внутрішньоособистісного конфлікту. До позитивних відносять:

- самоаналіз особистості;
- самовдосконалення особистості;
- самоусвідомлення потреб, інтересів;
- усвідомлення своїх взаємостосунків із людьми.

До негативних відносять:

- психологічний дискомфорт;
- відсутність позитивної життєвої програми;
- емоційна нестабільність, нервозність, невпевненість у собі.

Ще одну класифікацію типів внутрішньоособистісних конфліктів виділила Н. Є. Герасімова:

- мотиваційний (зіткнення між двома більш-менш рівними бажаннями - «хочу» і «хочу»);
- конфлікт неадекватної самооцінки (суперечність між двома альтернативними можливостями – «можу» і «можу»);
- рольовий (боротьба вимог декількох сфер діяльності – «треба» і «треба»);
- моральний (не збігання бажань та вимог – «можу» та «треба»);

- конфлікт нереалізованого бажання (переважання бажань проти можливостей «хочу» та «можу»);

- адаптаційний (невідповідність вимог та можливостей – «треба» та «можу»).

Серед студентів поширеним типом внутрішньоособистісного конфлікту є мотиваційний. Це пов'язано з обиранням майбутньої професії, коли особа спирається на зовнішні та внутрішні чинники.

Мотиваційний тип конфліктів можуть набувати двох форм – амбівалентної (складне зважування переваг та недоліків) та продумування наступних дій..

Наступним типом внутрішньоособистісних конфліктів, поширеним серед студентів, є адаптаційний. Різновидами адаптаційного типу є комунікативний конфлікт (труднощі пристосування студента до нового колективу).

Причиною для виникнення внутрішньоособистісного конфлікту є багато різних чинників, які діють на людину. Всі ці причини можна поділити на три види:

- внутрішні причини, які зумовлює сама людина;
- зовнішні причини, які спричинені соціальною групою, до якої входить особистість;
- зовнішні причини, які обумовлені положення індивіда в суспільстві.

До основних внутрішніх суперечностей відносять такі причини:

- суперечності між потребою та соціальними нормами;
- суперечності соціальних ролей;
- суперечності соціальних норм й цінностей;
- суперечності інтересів, потреб та мотивів.

Для виникнення внутрішнього конфлікту, необхідно аби оці суперечності діяли на людину постійно, та набули глибокого змісту.

До виникнення зовнішніх суперечностей внутрішньоособистісного конфлікту (соціальна група) відносять такі причини:

- біологічні вади або обмеження;
- фізичні перешкоди;
- соціальні обставини так умови;
- відсутність об'єкту, який потрібен для задоволення бажання так потреб.

Людина може перебувати у такому стані, як фрустрація. Фрустрація – переживання невдач. Це може зустрічатися у ситуації, коли людину та її потреби не розуміють, не має почуття вільності.

До виникнення зовнішніх суперечностей внутрішньо особистісного конфлікту (на рівні суспільства) відносять такі причини:

- суперечності між свободою особистості й всілякі фактичні обмеження її;
- суперечності між вимаганням задовольнити наші потреби й перешкоди на шляху до їх задоволення.

Ці причини пов'язані із макросистемою й знаходяться у глибині характеру суспільного устрою.

Наслідки внутрішньоособистісних конфліктів бувають конструктивними й деструктивними. Конструктивні – це позитивний наслідок, так як деструктивний – негативний наслідок.

Конструктивним наслідком називають той шлях до гармонії особистості, який являється максимальним розвитком конфліктуючих сторін при мінімальних затратах з боку особистості.

До конструктивних (позитивних) наслідків відносять :

- усвідомлення себе як особистість, коли внутрішній конфлікт вирішився;
- розвиток адекватної самооцінки, самореалізація та самопізнання;
- загартованість характеру й волі при позитивному вирішенні конфлікту;
- залучення ресурсів для подолання перешкод до розвитку;

Деструктивним наслідком називають ті наслідки, які провокують до психічних розладів. До деструктивних (негативних) наслідків, що стосуються самої особистості, відносять:

- зниження активності та ефективності діяльності;
- тимчасова зупинка розвитку особистості (деградація);
- фізіологічна й психічна дезорганізація особистості;
- психічна невірноваженість, тривожність, постійні сумніви, замкнутість;
- агресія чи залежність від якоїсь певної людини, якій навіть готові прислужувати та покорятися;
- втрата сенсу життя.

Негативні наслідки щодо взаємодії індивіда з іншими людьми:

- нездатність адекватно сприймати критику;
- сварливість, мовчазливість;
- девіантна поведінка;
- псування відносини вже зі знайомими людьми;
- постійний пошук винного.

Якщо цей вид внутрішнього конфлікту не вирішувати, це може призвести до тяжких й доволі неприємних наслідків (стрес, невроз, неврастенія).

Подолання й профілактика внутрішньоособистісних конфліктів:

- самореалізуватися й пізнати себе;
- зберігати спокій й витримку у будь-яких ситуаціях;
- буди справедливим та доброзичливим;
- не потрібно бути надто настирним та докучливим;
- давати собі відпочинок (фізичний та психічний);
- загартовувати характер й свою волю.

Сьогодні у психології існує не так багато методик для вивчення внутрішнього конфлікту особистості. Більш частіше в психологічній практиці застосовується індивідуальна бесіда та блок методик, які можуть діагностувати внутрішньоособистісний конфлікт.

Дослідження містить у собі: підбір експериментально-психологічних методик; проведення дослідження за вибраними методиками; обробка даних, які ми отримали в ході дослідження.

Дослідження проводилось на основі Національного університету цивільного захисту України, у якому брали участь студенти та курсанти, загальна кількість вибірки складає 40 респондентів.

В дослідженні використовувались такі методики:

1. Для визначення внутрішньої конфліктності, неузгодженості, дезінтеграції в мотиваційно-особистісній сфері, рівня самореалізації використали методику О. Б. Фанталової «РСЦД».

2. Для визначення оцінки загального самопочуття було використано методику О. Б. Фанталової «Сім станів».

Методика розроблена О. Б. Фанталовою і є центральною методикою комплексу методик «Діагностика внутрішнього конфлікту».

В основі задуму цієї методики – гіпотетичне припущення автора про те, що «однією з істотних детермінант мотиваційно-особистісної сфери є постійно рухливе, поступово мінливе в процесі діяльності в залежності від життєвих обставин відношення між двома площинами «свідомості». А саме: між площиною, що вміщає в себе усвідомлення провідних життєвих цінностей, і площиною всього, що є безпосередньо доступним, пов'язаним із здійсненням конкретних, легкодосяжних цілей ... »

Методика дозволяє виявити основні внутрішні конфлікти в системі цінностей особистості, викликані розбіжністю значущості і досяжності тієї або іншої цінності, і отримати уявлення про те:

- які основні внутрішні конфлікти особистості;
- яке їх зміст і ступінь вираженості.

За даними методики «РСЦД», спрямованої на вивчення внутрішньої конфліктності, неузгодженості, дезінтеграції в мотиваційно-особистісній сфері, рівня самореалізації, ми отримали результати.

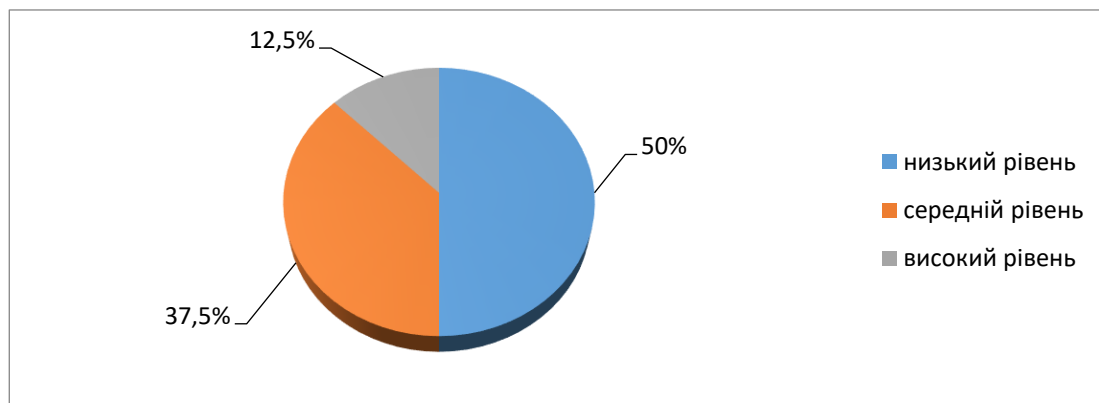


Рис. 1. Показники рівнів внутрішнього конфлікту в досліджуваній вибірці (в відсотках)

З наведеної діаграми видно, що результати дослідження розподілились таким чином: переважаючим рівнем внутрішньоособистісного конфлікту – низький, його виявлено у 20 осіб, що становить 50,0% досліджуваної вибірки. Це означає, що більшість осіб з групи мають низький рівень внутрішнього конфлікту.

Другий рівень – середній, який виявлений у 15 осіб, що складає 37,5% та означає, що ці досліджувані мають середній рівень внутрішнього конфлікту.

Третій рівень – високий, який виявлений у 5 осіб, що складає 12,5% від всієї вибірки. Дані досліджувані знаходяться у внутрішньому конфлікті й дисбалансі.

В цілому група досліджуваних курсантів та студентів соціально-психологічного факультету НУЦЗУ набрала нормальні бали. Це свідчить, що загальний рівень внутрішнього конфлікту у групі є низьким, але присутні відхилення від норми, висновок, що у дівчат переважає низький рівень внутрішнього конфлікту. Це свідчить про те, що вони достатньо добре можуть впоратися з зовнішніми та внутрішніми конфліктами.

Тепер розглянемо дані хлопців, у хлопців домінує середній та високий рівень внутрішнього конфлікту. Це свідчить про те, що вони не можуть подолати зі своїми переживаннями, страхами, тривогами, тому в них формуються зовнішні та внутрішні конфлікти.

За даними методики «Сім станів» (виокремили один стан, який стосується нашої теми – «внутрішньоособистісний конфлікт»), яка спрямована на швидку оцінку емоційно-особистісного і психічного стану, ми отримали такі результати, отже, зробимо висновок – переважаючим рівнем вираженості є слабкий. Він спостерігається у 25 осіб, тобто 62,5% досліджуваних. Середня вираженість спостерігається у 11 осіб, тобто 27,5%. Слабка вираженість спостерігається у 4 осіб, що складає 10% від всієї вибірки.

В цілому група досліджуваних курсантів та студентів соціально-психологічного факультету НУЦЗУ отримала слабку вираженість психічного стану. Це свідчить, що загальною оцінкою емоційно-особистісного і психічного стану у групі є слабко вираженими, але присутні деякі відхилення від норми.

Детальніше можемо розібрати оцінки психічного стану у дівчат та хлопців.

Отже, можемо зробити висновок, що дівчата відчують себе доволі добре, тобто слабо відчують внутрішні конфлікти, або навіть взагалі не відчують.

Виходячи з результатів, хлопці також відчують себе доволі добре, слабка вираженість внутрішніх конфліктів домінує.

Аналізуючи окремо дівчат й хлопців, за результатами методики О. Б. Фанталової «РСЦД», ми бачимо відповідні результати (Таблиця 1).

Таблиця 1. Різниця показників внутрішньоособистісного конфлікту у курсантів та студентів

Група Рівні	Дівчата	Хлопці
Низький	75% (15 осіб)	15% (5 осіб)
Середній та високий	15% (5 осіб)	75% (15 осіб)

З отриманих результатів, які представлені у таблиці вище, можемо зробити висновок, що у дівчат переважає низький рівень внутрішньоособистісного конфлікту, а хлопці більш схильні до середнього й високого рівня.

Для математичної обробки отриманих результатів, ми використовуємо критерій χ^2 Пірсона з поправкою на неперервність, який зможе визначити, чи є відмінності рівнів внутрішньоособистісного конфлікту у групі досліджуваних.

Можемо висунути гіпотезу, що рівень внутрішньоособистісного конфлікту не залежить від статі.

Гіпотезами критерію χ^2 Пірсона з поправкою на неперервність є:

H_0 : рівень внутрішньоособистісного конфлікту не відрізняється між дівчатами та хлопцями.

H_1 : рівень внутрішньоособистісного конфлікту відрізняється між дівчатами та хлопцями.

Для дослідження рівнів внутрішнього конфлікту у дівчат та хлопців нами була проведена методика О. Б. Фанталової «РСЦД». Були визначені рівні внутрішнього конфлікту.

Дослідження рівня внутрішнього конфлікту за допомогою методики «РСЦД» виявило значущі відмінності. Отримане емпіричне значення (χ^2 Пірсона = 3,31) потрапило в зону значущості. Таким чином гіпотеза H_0 відхиляється.

Для дослідження внутрішнього конфлікту була використана методика О. Б. Фанталової «РСЦД» та методика О. Б. Фанталової «Сім станів», що є продовженням першої методики.

Методика «РСЦД» призначена для визначення внутрішньої конфліктності, неузгодженості, дезінтеграції в мотиваційно-особистісній сфері, рівня самореалізації.

Методика «Сім станів» призначена для визначення оцінки загального самопочуття.

Емпіричне дослідження особливостей внутрішньоособистісних конфліктів у курсантів та студентів дало нам змогу зробити висновки.

Групу досліджуваних ми розділили на дві групи (хлопці та дівчата), аби перевірити рівень внутрішнього конфлікту.

Для вивчення основних внутрішніх конфліктів в системі цінностей особистості ми використали методики О. Б. Фанталової «РСЦД». Першою групою були дівчата. Ця група характеризується в переважній більшості низьким рівнем внутрішніх конфліктів. Що ж не можна сказати про другу групу, до якої належать хлопці. Ця група характеризується переважно середнім та високим рівнем внутрішніх конфліктів. Можливо, це відбувається через біологічні або соціальні умови, які діють на людину та взаємодіють з нею.

Для математичної обробки отриманих результатів, ми використовуємо критерій χ^2 Пірсона з поправкою на неперервність, який зможе визначити, чи є відмінності рівнів внутрішньоосистісного конфлікту у групі досліджуваних.

У ході підрахунків отримане емпіричне значення (χ^2 Пірсона = 3,31) потрапило в зону значущості. Таким чином гіпотеза H_0 відхиляється, в якій йшлося, що рівень внутрішньоособистісного конфлікту не відрізняється між дівчатами та хлопцями.

1.16. Ways and means of spiritual development of children in the structure of the person

1.16. Шляхи та засоби духовного розвитку дітей в структурі особистості

Духовність людини є складним поєднанням таких якостей особистості та властивостей психіки, що складають основу її всебічного і гармонійного розвитку. Проблема духовного розвитку особистості, виховання її морального ставлення до оточуючих в умовах відродження України набуває особливого значення. На державному рівні це знайшло відображення в основних документах із дошкільного виховання та освіти – Законі України про дошкільну освіту¹²⁴, Концепції дошкільного виховання в Україні¹²⁵, Базовому компоненті дошкільної освіти в Україні¹²⁶, в яких наголошується на необхідності створити дійові гуманістичні норми взаємодії дитини і оточуючого світу, розробити такі виховні технології, які б враховували і психічні особливості, і комплекс індивідуальних якостей, і систему інтересів, потреб, ідеалів, творчих можливостей дитини, і тим самим забезпечили цілісний духовно-фізичний вплив на неї.

Аналіз наукових досліджень свідчать, що саме в дошкільному віці закладається основний фундамент знань, умінь, понять і норм поведінки, що є основою для подальшого розвитку особистості. Але почасти батьки звертають увагу лише на інтелектуальні здібності дитини, не піклуючись про її духовний розвиток.

Формування моральної поведінки, її емоційна регуляція є домінуючими в дошкільному віці, а соціальні емоції відіграють найважливішу роль у духовному розвитку та вихованні морально-етичних міжособистісних стосунків. Саме актуальність проблеми розвитку духовної сфери дошкільників, виховання у них чуйності, емпатійності й обумовила вибір нашого дослідження.

Виходячи з аналізу наукових та методичних джерел важливо зазначити, що проблемі розвитку духовної сфери завжди приділялась значна увага (Дж. Майер, Д. Ноумен, П. Саловей). Не обійшли у своїх дослідженнях дану проблему і такі дослідники як В. Алексєнко, І. Бех, М. Вишневський, І. Єрмаков, І. Зайченко, О. Зеліненко, І. Прокопенко.

На запитання що таке духовність, який орган людини є духовним – розум, серце чи почуття – є різні відповіді. Священнослужителі вбачають, що серце є джерелом духовності. Так, В. Войно-Ясенецький (Свт. Лука) в книзі «Дух, душа и тело» пише, що розум, безумовно не дух, а лише вираження, прояв духу¹²⁷. Дух, духовність є не просто породження серця, що торкається розуму, але є таким, що охоплює своїм впливом усю сутність людської особистості. Духовність – опанування людиною вищими духовними цінностями з погляду розуміння нею та сприйняття своєї єдності з Богом, які виявляються у співпереживанні, співчуттях, моральній готовності співпрацювати в ім'я доброчинності, вищих ідеалів, любові, сподівань.

Значним і важливим елементом духовності є феномен культури. Це велике й багатогранне поняття є запорукою здоров'я, довголіття, успіху. Як зазначає І. Д. Бех, до феномену особистісної культури належать засвоєні ідеї, образи, духовні цінності, які входять елементом у соціальний досвід особистості, засвоюються у такий спосіб, що людина стає здатною розв'язувати всі гуманітарні й інші проблеми без напруги, вміє організовувати свою життєдіяльність без конфліктів і ускладнень, допомагати іншим¹²⁸.

¹²⁴ Закон України про дошкільну освіту. – Режим доступу: <https://zakon.help/law/2628-III>.

¹²⁵ Концепція дошкільного виховання в Україні <http://dyvokray.org.ua/normatyvna-baza/3-documents>.

¹²⁶ Базовий компонент дошкільної освіти в Україні. – Режим доступу: http://www.kharkivosvita.net.ua/files/Bazovyj_komponent.pdf.

¹²⁷ В. Войно-Ясенецький. Дух, душа и тело. – Режим доступу: <http://www.vehi.net/luka/oduhe.html>.

¹²⁸ Бех І. Д. (2003): Виховання особистості, с. 23.

Духовний розвиток дитини необхідно починати з розвитку її емоцій та почуттів, які є важливою умовою становлення особистості маленької людини. П'ятирічна дитина вже здатна зрозуміти переживання інших людей, вміє пов'язати їх з певними вчинками. У психології ці найважливіші здібності узагальнюються поняттям «емпатія». Поширена наступна точка зору: співчуття – це не тільки страждання разом з тим, хто страждає, і не лише співчуття іншій людині з приводу її проблем, але це і допомога тому, хто не має сил що-небудь змінити, або хоча б бажання допомогти. Співчуття та емпатія можуть проявлятися у відношенні до будь-яких істот (людей, тварин, героїв художніх творів тощо) і взагалі до будь-яких форм життя, які у своєму існуванні відчують постійні труднощі, біль, страждання і в той же час безсилі що-небудь змінити.¹²⁹

У вітчизняній психології існує досить багато досліджень з проблем емпатії, історії розвитку уявлень про цей феномен. Проблема розвитку емпатії у дітей дошкільного віку досліджували такі вчені, як Л. Журавльова, А. Запорожець, Я. Неверович, Л. Мерфі та інші. Проблема емпатії дуже важлива як в психологічному, так і в педагогічному аспектах. Проникнення в природу емпатії дасть змогу підійти до складної проблеми взаємозв'язку складу особистості та емоційної сфери людини, полегшить вивчення формування особистості дитини, виникнення моральних почуттів та їх ролі в поведінці.¹³⁰

Мета статті полягає в обґрунтуванні необхідності використання спеціально організованої програми для дошкільників та використання спеціальних методів та форм роботи з дітьми старшого дошкільного віку, націлених на виховання емпатійності та чуйності; теоретично обґрунтувати та експериментально перевірити вплив усіх вищевказаних засобів на розвиток духовної сфери дошкільників.

Умови виховання високоморальної, духовної, ціннісно орієнтованої особистості передбачають залучення у виховний процес великої кількості чинників, головними з яких у сучасну епоху стали: релігійне виховання, принципи системи освіти, умови існування і розвитку соціуму, в якому виховується дитина (сім'я, дитячий колектив – ЗДО, дитячі центри), засоби масової інформації (телебачення, журнали) тощо.

Початком формування духовного світу людини, його фундаментом є знання. Знання здобуваються двома основними шляхами. Перший – це безпосередній контакт особистості, що формується, з умовами існування за допомогою органів чуття. Другий – засвоєння досвіду людства, закріпленого в мові. Особливістю знань є те, що в них не просто фіксується результат взаємодії людини із зовнішнім світом, але здійснюється також чуттєво-емоційна оцінка, визначається значення результатів цієї взаємодії.

На основі знань, їхнього засвоєння й узагальнення формується другий дуже важливий структурний елемент духовного світу особистості – розум. Знання й розум становлять особливість духовного світу – інтелект. Розум – це властива людині здатність аналізувати, оцінювати явища дійсності, визначати своє відношення до них, характер вчинків і дій відповідно до потреб і інтересів особистості, групи, класу, суспільства. На рівні розуму людина керується, насамперед, потребами й інтересами, які виражають суб'єктивне відношення людини до світу й до себе. На цьому рівні можуть ігноруватися не тільки потреби й інтереси інших людей суспільства, але й об'єктивні закони розвитку природи, суспільства, мислення.

Розум є дуже важливим структурним елементом духовного світу особистості – це здатність узгоджувати, співвідносити свої бажання, мету, і результати діяльності не тільки з потребами й інтересами, але, насамперед, з вимогами об'єктивних законів дійсності.

¹²⁹ Поніманська Т. І., Дичківська І. М. (2012): Гуманістичне виховання дітей дошкільного віку в контексті інноваційної педагогічної діяльності, с. 44.

¹³⁰ Журавльова Л. П. (2007): Психологія емпатії, с. 57.

Розумно робить той, хто у визначенні цілей своєї діяльності виходить із доцільності цієї діяльності, як з погляду особистих інтересів, так і з погляду інтересів суспільства й погоджує свою діяльність із вимогами самого життя, із завданнями, які життя ставить перед людиною, з об'єктивними законами дійсності. Людина, що керується розумом, може поступитися якимись своїми інтересами, якщо це може, наприклад, завдати шкоди іншій людині, суспільству, природі.

Знання і розум становлять змістовний фундамент духовного світу особистості. Але цей фундамент здобуває для людини значення тільки тоді, коли вона проходить чуттєво-емоційну оцінку й стає надбанням самої особистості. Результати чуттєво-емоційної оцінки знаходять своє вираження у вірі й переконаннях. На основі віри й переконань формується світогляд.¹³¹

Світогляд, проходячи перевірку життєвим досвідом, знаходить своє вираження в життєвій позиції. Щоб життєва позиція реалізувалася в дійсність, необхідна воля¹³².

Роль дошкільного дитинства полягає в оволодінні загальними людськими знаннями, уміннями, у набутті психічних якостей, необхідних для життя (оволодіння мовою, орієнтація у просторі й часі, сприймання, мислення, уява, прилучення до творів мистецтва, формування стосунків з людьми тощо). Пізнаючи навколишній світ, розвиваючись розумово, дитина вчиться спостерігати, робити висновки, порівнювати, узагальнювати, у неї виникає інтерес до пізнання причини явищ, відкриття, суттєвих зв'язків між речами.

Передусім це стосується процесу формування у дітей відкритості до світу, виховання навичок поведінки, усвідомленого ставлення до себе як вільної самостійної особистості та до своїх обов'язків, що визначаються зв'язками з іншими людьми, формуванням готовності до сприймання оточуючої інформації, вихованням співчуття, співпереживання, бажання пізнавати людей, правильно діяти. Позиція відкритості до світу, прийняття світу й себе є добром. Воно безкорисне, щедre, не потребує винагороди. Позиціонує як умова гармонійного поєднання людини та суспільства, досягнення ними досконалості.

Добррозичливість започатковується в практичній взаємодії «дитина – дорослий». Дорослий репрезентує для дитини суспільство, посідає центральне місце в її внутрішньому світі, виступає носієм інформації навчально-виховного змісту. Специфічною емоційно-чутливою прив'язаністю характеризуються стосунки малюка з батьками. Спільне переживання радості й турбот сприяє дитячому розумінню правил співжиття в сім'ї, відповідальності за благополуччя іншого.¹³³

Дитина набуває досвіду правильності вчинку і, як наслідок, впевненої поведінки. На їх основі розгортається і удосконалюється система ставлення дошкільника до оточуючого світу. Досвід дитини збагачується завдяки переживанню того, з чим вона зустрічається у житті, її відкритості, розумінню, усвідомленню, активним діям. Через спілкування з природою, культурними здобутками, пізніше – іншими людьми, складається загальна картина світобудови і відношення до неї.

Великий вплив на духовний розвиток дитини має також оточуюче середовище (природа, маленька батьківщина, де дитина народилася, умови життя). Природа, будучи середовищем перебування людини, джерелом, що харчує його життєві сили й надихає на заощадження його багатств, разом з тим містить у собі величезний потенціал всебічного розвитку особистості.

Природа збуджує допитливість дитини, впливає на її сенсорику й викликає почуття прекрасного. Можна без перебільшення сказати, що найбільш повно дитина пізнає красу навколишнього світу через сприйняття краси природи. Впливаючи на емоції дитини своїми

¹³¹ Богуш А. М. (2001): Духовні цінності в контексті сучасної парадигми виховання, с. 7.

¹³² Хайрулліна Ю. О. (2011): Світоглядна культура особистості: структурно-функціональний аналіз, с. 168.

¹³³ Щербаківа К. О. (2006): У сім'ї росте дитина: родина і становлення особистості. С. 188.

естетичними якостями – досконалістю форми, різноманітним і (залежно від часу дня, пори року, освітлення) мінливим колоритом, природа викликає естетичні почуття.

Це сприяє прояву емоційного відношення до об'єктів і явищ природи. Залучення дитини до джерел духовності починається з уміння бачити красу у довкіллі: це і перша квітка, і ніжний весняний листочок, і різнобарвні дерева восени, синє небо, і білосніжне покривало зими.

Захоплення природою рідного краю невід'ємно пов'язане з любов'ю до Батьківщини. Дитині притаманне інстинктивне зацікавлення до місця, де вона народилася й живе, де народилися її батьки, батьки батьків. Але патріотизм в його загальнолюдському значенні потрібно виховувати. У пригоді стануть розповіді про історію свого міста чи краю, екскурсії до історичних пам'яток, відвідини театру.

Засобом ціннісного бачення світу, становлення національного характеру особистості, світогляду є також яскраве, образне рідне слово.

Фольклор посідає значне місце у житті дитини-дошкільника. Дітям доступні для розуміння приказки, прислів'я, мирилки, казки, легенди. Якщо прозивалки (дражнилки) – це відповідь дитини на образу, недоброзичливе ставлення, недооцінку чеснот, бажання встановити справедливість через дошкульне слово, покарати кривдника, то мирилки використовуються з метою відновлення товариських взаємин.

Могутнім засобом формування духовних цінностей у старших дошкільників є регіональне культурно-історичне середовище, культурно-історична спадщина, культурно-історичний простір. Особливості навколишньої природи, менталітету, традиції буття, художньо-естетична творчість рідного краю мають значний духовний вплив на дітей. Принцип краєзнавства в роботі з дошкільниками тісно пов'язаний з регіональним підходом до відбору пізнавально-виховного матеріалу. У культурно-історичній спадщині, як духовно-виховному засобі, закладено можливості формування духовних цінностей дітей та їх сімей.

Особливе значення для формування у дітей старшого дошкільного віку духовних цінностей, зважаючи на їх вікові особливості (домінування образного мислення, яскрава творча уява, емоційно насичені відчуття від спілкування з оточуючим світом та здатність до сприйняття нового, яскравого, красивого), має мистецтво. Саме різні види мистецтва, які є складовою культурно-історичної спадщини регіону, дають змогу дитині засвоїти систему духовних цінностей, сформувати піднесене, оптимістичне, радісне, одухотворене сприйняття дійсності, розуміння прекрасного в житті та мистецтві.

Таким чином, складний процес становлення людини, формування її духовності відбувається під впливом цілого ряду умов (об'єктивні природні і соціальні фактори, у яких живе людина, виховний вплив на особистість, прилучення особистості, що формується, до участі в практичній діяльності, самовиховання).

Фундамент духовного світу особистості становлять знання, розум, віра та переконання. Віра та переконання складають основу формування світогляду особистості. Аналіз наукових джерел дозволив виявити деякі особливості формування духовних цінностей у дітей старшого дошкільного віку, переконатися, що механізм формування духовних цінностей базується на перетворенні зовнішніх моральних норм у внутрішні мотиви діяльності.

Формування у дітей уміння дарувати радість і добро як засіб розвитку емоційного інтелекту і збереження психічного здоров'я стало темою і головною метою дослідження.

Експериментальне дослідження здійснювалось на базі закладу дошкільної освіти у контрольній та експериментальній групах дітей старшого дошкільного віку.

Дослідження здійснювалось за допомогою емпіричних методів. Відомості із спостережень за проявами емоцій дітьми як в спеціальних іграх, так і в повсякденному житті, та їх зміст фіксувався в протоколах.

Спочатку був проведений констатувальний етап експерименту. Його метою було визначити рівень прояву емоцій у дітей контрольної та експериментальної груп. Результати показали, що в контрольній групі 23% дітей виявили низький рівень (пасивність, байдужість, неадекватність); 57% – середній рівень (є прояви позитивних емоцій, вміння співчувати, але їх вияви ситуативні, не стійкі); 20% – високий рівень (вияви емоційного інтелекту здатності до довіри, радощів, подиву, захоплення). В експериментальній групі 20% дітей виявили низький рівень, 60% – середній, 20% – високий рівень). Нами була розроблена програма роботи з дітьми з розвитку вміння дарувати добро і радість оточуючим, формування духовності і емпатійного ставлення до інших. Програма включала:

- роботу з батьками (знаходження спільної лінії виховання вдома та в закладі дошкільної освіти, забезпечення наслідуваності в роботі);

- роботу з дітьми-дошкільниками, а саме: застосування психогімнастики; проведення творчих ігор; етичні бесіди та заняття на основі оповідань В. Сухомлинського «Нехай я буду вашою, бабусю», «Добре слово», «Сьома донька», «Ковзани та межі» та інші.

Проводилася щоденна систематична робота з відстеження та корегування поведінки дитини (щоденник добрих справ).

Індивідуальна робота з дітьми старшого дошкільного віку включала і використання прийомів саморегуляції. Серед вправ, що використовувалися на формуальному етапі експерименту можна виділити основні:

- бесіди про милосердя. Що означає слово «милосердя»? Наведіть приклади милосердних вчинків. Воно допомагає чи заважає жити? Чи кожен може стати милосердним? Що робити, щоб стати милосердним? Вам знадобиться: настільно-друкована гра «Так чи ні» (з набором картинок, серця, вирізані з картону, сонечко та промінці).

- моделювання «Сонечко милосердя». Кожна дитина отримує промінець сонечка милосердя та називає те, що вона може зробити милосердного. Промінці приклеюють навколо сонечка (не треба питати, що ти зробив милосердного. Виставляти напоказ своє милосердя не красиво).

- колективна розмова «Як діє чуйна людина». Діти обговорюють ситуації та виносять два рішення: як вчинила б чуйна людина, нечуйна людина. Вправа для рефлексії: як вчинив би ти?

Мовленнєва гра «Скажи добре слово». Діти стають у пари, кожна пара повинна по черзі сказати один одному добре слово (що передає співчуття): слова похвали; слова підтримки; слова радості; слова вдячності.

Практичне завдання «Квіточка добрих справ». Після перегляду мультфільму за казкою В. Катаєва «Квітка-семиквітка» діти отримують домашнє завдання: виготовити вдома разом із батьками квітку-семиквітку. Середина квітки – коло, до якого прикріплюються пелюстки, що знімаються. На кожному пелюстку записаний добрий, милосердний вчинок (допомогти мамі помити посуд, нагодувати маленьке бездомне кошенятко, віддати його у добрі руки, помиритися з другом, допомогти молодшій сестричці навчитися застібати гудзики, догляд за рослинами...). Завдання дається на тиждень. Наприкінці тижня діти мають принести квітку до дитячого садка і розповісти про добрі справи, які їм вдалося виконати за тиждень. Модель квітки діюча, можна кожного тижня замінювати «пелюстки добрих справ» на нові.

Запропоновані вправи є досить результативними в роботі з дітьми і відповідають головному соціальному замовленню – вихованню духовно багатой, дієздатной, самостійной особистості з креативним мисленням.

За допомогою контрольного експерименту, метою якого було визначення результативності формуальному експерименту були виявлені наступні зміни у розвитку дітей експериментальної групи, порівняно з дітьми контрольної групи: на 20% збільшилась

кількість дітей, які виявили високий рівень емпатійності, чуйності і знання про моральну поведінку; кількість дітей, які показували низький рівень, зменшилася на 8%.

В ході вивчення особливостей проявів емпатії та чуйності у дітей старшого дошкільного віку було виокремлено певні критерії оцінки сформованості та рівня емпатії. Отримані результати дозволили виділити деякі особливості емпатійної поведінки сучасних дошкільників:

- більшість дітей демонструє позитивне ставлення до емпатійної поведінки і визнають її значимість і необхідність, що виявляється на рівні теоретичних уявлень, проте не знаходить відображення в практиці реальних взаємин;

- в емпатійній поведінці, дошкільники використовують засвоєні способи прояву ставлення до іншого, які характеризуються стереотипністю, нестійкістю, що обумовлено індивідуальним досвідом взаємодії дитини з оточуючими;

- в проявах емпатії, діти старшого дошкільного віку орієнтовані, як правило, на надання допомоги, при цьому суттєві труднощі відзначаються при необхідності проявів емпатії дітьми в ситуаціях іншої емоційної спрямованості.

Виходячи із результатів діагностики дітей дошкільного віку, було запропоновано комплекс вправ та занять, що враховували всі прогалини у духовному розвитку дошкільників.

Висновки. Таким чином результати експериментально-дослідницької роботи переконують, що наша авторська програма розвитку емпатії старших дошкільників в спеціально організованій діяльності видалася досить ефективною. За результатами проведеної роботи емпатійна поведінка дітей експериментальної групи якісно змінилась не лише кількісно, а й якісно, а саме:

- підвищився рівень стійкості і самостійності емпатійних проявів дітей;

- розширилась спрямованість емпатійних проявів дошкільників в ситуаціях різної емоційної модальності;

- у всіх дітей відзначалася адекватність емпатійних проявів у відповідних ситуаціях і адекватність емпатійної поведінки; у дітей підвищилось прагнення проявляти співпереживання-співчуття / сприяння по відношенню до інших: однолітків, дорослих;

- діти демонстрували здатність змінювати свою поведінку, організувати діяльність з урахуванням потреб і бажань іншої дитини.

Таким чином, можна рекомендувати сучасним педагогам використовувати в роботі з дітьми ігри та вправи, що стимулюють розвиток співчуття, співпереживання через розроблену авторську ігрову методик поетапного розвитку емпатії. Крім ігор та ігрових вправ, які будуються на розвитку механізмів емпатії, доцільно використовувати творчу гру, яка сприяє розширенню і усвідомленню емоційно-чуттєвого досвіду дітей. Все це дозволяє дитині пізнавати навколишній світ природи, почуття і емоції людей, мати особистісне сприйняття, судження про досліджуване явище і на основі цього найбільш повно засвоювати інформацію про нього.

Отже, експериментальне дослідження підтвердило нашу гіпотезу про те, що проведення роботи з дітьми-дошкільниками (творчі ігри, етичні заняття, бесіди, психогімнастичні вправи тощо), впровадження методик поетапного розвитку емпатії, постійної та систематичної щоденної роботи з розвитку емоційної сфери, позитивно впливають на духовний розвиток дітей дошкільного віку.

Елемент новизни виявився у створенні програми, спрямованої на формування уміння дарувати добро і радість оточуючим.

Таким чином, можна рекомендувати педагогам та батькам використовувати в роботі з дітьми ці ігри та вправи, що позитивно впливають на духовний розвиток дошкільників і є необхідною умовою розвитку сучасної особистості.

Література:

1. Базовий компонент дошкільної освіти в Україні. – Режим доступу: http://www.kharkivosvita.net.ua/files/Bazovyj_komponent.pdf.
2. Бех І. Д. Виховання особистості: [у 2 кн.]. Кн. 2: Особистісно-орієнтований підхід: науково-практичні засади / І. Д. Бех / [ред. О. І. Цибульська]. Київ: Либідь, 2003, 344 с.
3. Богуш А. М. Духовні цінності в контексті сучасної парадигми виховання / А. М. Богуш // Виховання і культура. – 2001. – № 1. – С. 7.
4. Выготский Л. С. Собрание сочинений в 6-ти томах. Т. 4. Детская психология / Л. С. Выготский; Под ред. Б. Д. Эльконина. Москва: Педагогика, 1984, 432 с.
5. Гуманістичне виховання дітей дошкільного віку в контексті інноваційної педагогічної діяльності: [монографія / За наук. ред. Т. І. Поніманської, І. М. Дичківської]. Рівне: Волинські обереги, 2012, 208 с.
6. Журавльова Л. П. Психологія емпатії: монографія / Л. П. Журавльова; ЖДУ ім. І. Франка. – Житомир: Вид-во ЖДУ ім. І. Франка, 2007. – 328 с.
7. Закон України про дошкільну освіту. – Режим доступу: <https://zakon.help/law/2628-III>.
8. Концепція дошкільного виховання в Україні <http://dyvokray.org.ua/normatyvna-baza/3-documents>.
9. Розумне виховання сучасних дошкільнят. Методичний посібник / Н. Гавриш, О. Брежнева, І. Кіндрат, О. Рейпольська; За загальною редакцією О. Брежневої. Київ: Видавничий Дім «Слово», 2015, 176 с.
10. Хайрулліна Ю. О. Світоглядна культура особистості: структурно-функціональний аналіз: монографія / Ю. О. Хайрулліна; Мін-во освіти і науки, молоді та спорту України, Нац. пед. ун-т імені М. П. Драгоманова. – К.: Вид-во НПУ імені М. П. Драгоманова, 2011. – 235 с.
11. Щербакова К. О. У сім'ї росте дитина: родина і становлення особистості / К. Щербакова, Г. Григоренко. – К.: Неопалима купина, 2006. – 238 с.

Part 2. The Modern Technologies in the Development of Society

2.1. Modern information technologies as a clustering factor of tourism industry in Ukraine

2.1. Новітні інформаційні технології як чинник кластеризації туристичної галузі України

Актуальність теми дослідження в тому, що новітні інформаційні технології активно впливають на розвиток туристичного ринку і появу кластеризації як соціального і економічного феномена, що допомагає виявити на туристичному ринку та в бізнесі домінуючі позиції. Завдяки ІКТ домінуючі тенденції з'являються швидко, захоплюючи споживачів своєю вартістю послуг на інноваційні туристичні послуги, продукти та розвитком туристичних стартапів, лідери яких перетворилися на ефективних партнерів. Не випадково на туристичному ринку з'явилася нова технологія іншуртех (від англійського слова Insurance – страхування, Tech-технології), які пропонують страхові послуги і сервіси на страховому ринку туристичного бізнесу¹³⁴. Іншуртех як інноваційна технологія на туристичному ринку сьогодні виступає головним трендом ІКТ і знаходиться ще на початку розквіту свого шляху, а кластеризація буде сприяти швидкості змін та слугувати основою конкурентоспроможності регіонів. Іншуртех-стартапи у туристичному бізнесі, використовуючи кластеризацію та географічне розташування туристичних сервісних центрів, звернули увагу на клієнта, їх ставка була зроблена в режимі он-лайн та через мобільні канали на молодь. У комерційному секторі туристичного бізнесу основна мета сатрапів – використання ІКТ у туристичних сервісах та їх ефективність.

Розкриємо сутність кластерів і що вони представляють. Кластери представляють собою результат просторового виявлення дій ринкових сил у сфері туризму. Постільки сфера туризму є складним економічним явищем, то для формування кластерів включаються наступні компоненти: а) об'єкти природної і культурної спадщини (туристичні цінності); б) інфраструктурні об'єкти; в) освітянські організації (підготовка кадрів туристичного бізнесу; г) управління у туристичній сфері; д) проектні та наукові установи та ін. Як зазначає К. Адамова, «Особливою формою кластерів у туризмі є тематичні туристичні кластери, наприклад, спортивний, пригородницький чи культурно-пізнавальний. Кожний із них формується на однорідному сегменті туристичного ринку, охоплює певну продовольчу нішу. Завдяки туристичним кластерам, вибудовується ланцюг додаткової вартості, турист отримує відповідні враження і здобуває туристичний досвід»¹³⁵. Сьогодні формується медичний, зелений, сільський та інші види туризму.

Як свідчить аналіз, яскравим прикладом туристичних кластерів може бути туристичний кластер України, основу якого складає територія з унікальною природою, багатою як на ландшафтну, так і біологічну різноманітність. Саме тому поняття «кластер», яке останнім часом входить у науковий обіг у регіональній економіці та економічній географії, використовує поняття кластеру для особливої форми територіальної організації чи самоорганізації туристичної галузі в умовах ринкової економіки та глобалізації. Відмітимо, що вперше дане поняття «кластер» було використано американським економістом, професором Гарвардської школи бізнесу М. Портером (1990) для визначення спільноти, сконцентрованої за географічною ознакою взаємопов'язаних фірм та організацій, що посилюють конкурентні переваги один одного. Для О. Кальченко, кластер – це добровільне

¹³⁴ Shevchenko, A. (2018). Didžital era. Just at digital tehnologiâh. K: Sammit-book. P. 319.

¹³⁵ Adamova, K. Z. (2009). Clustering in tourism as a factor of globalization/the I International Scientific Conference "Globalization and tourism: problems of interaction» Saratov, 15-16 April, 2009.

територіально-галузево об'єднання підприємств для здійснення координованої фінансово-господарської діяльності, при якій всі учасники кластеру отримують вигоду, а саме кластерне утворення виступає конкурентоспроможним на даному сегменті ринкової економіки. Мета створення кластеру у забезпеченні економічного розвитку і підвищенні економічного розвитку і підвищення конкурентоспроможності продукції чи послуг на ринках¹³⁶.

Отже, кластеризація у туристичному бізнесі пов'язана з особливою сферою вивчення теорії і практики туристичного бізнесу і направлена на знаходженням шляхів його ефективності. Саме тому, сприяючи ефективності, іншуртех-стартапи використовують нові інформаційні та інноваційні технології у туристичних сервісах, які сьогодні стали модними. У цьому процесі задіяним є все: від використання великих даних (Big Data) до штучного інтелекту, до інтернету речей, гейміфікації, роботів, блокчейну, мікрострахування тощо.

Основні стратегії розвитку іншуртех-стартів у туристичній сфері України – це пошук нових можливостей сегментів, у яких традиційні гравці страхового туристичного ринку ще не працювали, а також пропозиція послуг там, де ще має місце незадоволений попит. Біля 61% стартапів фокусуються на сервісах для страховиків, що дозволяє традиційним гравцям ставати більш гнучкими та інноваційними із фокусом на клієнта. Трансформація страхової галузі у туристичній сфері в Україні повільно, але все ж таки розпочинається, рухаючись у сторону її упровадження, так званих, проривних інноваційно-інформаційно-проривних технологій (disruptive technologies) та націленості на клієнта.

До числа таких інновацій відноситься телематика, яка почала пропонуватися у пакеті з автострахуванням. Для туристичних компаній цифрова трансформація, тобто використання ІКТ у туристичному бізнесі з використанням нових страхових технологій, – це не питання вибору, а питання часу. Під впливом нових технологій, серед яких великі дані, Інтернет речей, глобальні агрегатори, маркетплейси, хмарні рішення з відкритим кодом доступу та ін., вже використовуються у туристичному бізнесі і потребують удосконалення та розширення трансформаційного туристичного менеджменту. Для підвищення конкурентоспроможності кластерів туристичної галузі необхідно концентрувати увагу на розвитку наступних сфер: 1) удосконалення транспортної і телекомунікаційної «доступності» для туризму на тій чи іншій території; 2) створення розвитку міст як центрів креативної, інноваційно-інфраструктурної та конкурентної туристичної галузі; 3) заходи, спрямовані на збереження оточуючого середовища, мінімізація негативного впливу на нього економічної діяльності¹³⁷.

Аналіз новітніх інформаційних технологій як чинник кластеризації туристичної галузі України свідчить, що традиційна модель дистрибуції, способи операцій і методи створення цінностей у туристичній галузі у найближчі роки зміниться, тому що сучасні компанії туристичної галузі очікує перехід від нинішньої моделі «автономних СК» до «компаній з глобальними зв'язками», що може зайняти 5-8 років і включати велику суму фінансових та інших розходів, включаючи підготовку гнучких туристичних менеджерів. Так, сьогодні у зарубіжному технологічному сервісі вже має місце така технологія. Ви можете робити все у своєму мобільному додатку без участі брокера чи менеджера – від підпису на угоду сервісу до урегулювання збитків. Але це не просто проривна технологія, а новий шлях ведення туристичного бізнесу. Як відмічають Нікітенко Віталіна, Білогур Влада, «Туризм представляє собою динамічний процес, що характеризується широким застосуванням різноманітних комунікаційних способів, виявленням нових інструментів маркетингового впливу.

¹³⁶ Kalchenko, O. (2009). Klasterizacija in turistichnij galuzi/Chernigivskogo tehnologichnogo universitetu State Journal. No. 39. P. 186-195.

¹³⁷ Білогур, Станіслав (2019). Концептуальні основи кластеризації туристичної галузі України з точки зору економіко-територіального підходу к її реалізації // Mokslas ir praktika: aktualijos ir perspektyvos. Theory and practice: problems and Prospects. Scientific articles. Kaunas. P. 41-47.

З туризмом пов'язаний саме процес удосконалення і утвердження людини, що дає змогу говорити про привабливість даної галузі»¹³⁸.

В економічній науці має місце точка зору, що страхування, фінанси і туризм, а також новітні інформаційні технології не можуть існувати без Інтернету речей і мають безпосередній інноваційний вплив на розвиток туристичної галузі. На сьогоднішній день успішно капіталізується все, що пов'язане з мобільними приладами (смартфони, розумні годинники, різні види трекерів і девайсів) і завдяки їм розвивається інтернет речей, що в майбутньому дасть змогу про користувача смартфонів знати все і пропонувати йому комфортні способи існування і комунікацій, включаючи умови туристичного сервісу. Зростання повсюдного використання комунікаційних засобів дозволить генерувати великі дані, які зможуть стати джерелом для створення нових страхових продуктів. Крім того, інтернет речей дозволить значно спростити процедуру урегулювання страхових подій, пов'язаних з туризмом.

Інноваційна революція може змінити ландшафт ринку праці під впливом роботизації. Поява роботизованих консультантів трансформує сферу управління, включаючи і туризм, яка є каналом продаж для страхової індустрії. Так, у Сінгапурі була проведена перша угода на роботизованій консалтинговій платформі WelInvest, яка представляє сервіс з більш низькою комісією і дозволяє скоротити розходи. Має місце точка зору вчених, що частка подібних роботизованих консалтингів зростає на 10% ринків, так як клієнти прагнуть діджиталізації і працювати в онлайн-режимі, для того, щоб задовільнити свої потреби, звички і очікування¹³⁹.

Кластеризація туристичної галузі України сьогодні повинна перейти на концепцію використання ІКТ та сприяння діджиталізації, осучаснення у контексті інформаційно-цифрового суспільства туристичної галузі, так як на Заході використовуються всі передові цифрові технології з метою, щоб активізувати людину та залучити її на сторону туризму та самореалізації людини у цій сфері, викликаній внутрішніми економічними трансформаціями. Кластер повинен формуватися як стійка просторово-географічна система інформаційного суспільства, детермінований ІКТ та передовими технологіями, до якого залучаються всі ресурси: економічні, технологічні, самоорганізаційні, інформаційні, інфраструктурні, інвестиційні. Туристична галузь України розглядається як самостійна самодостатня складова економічної політики, яка притягує всі складові компоненти – монетарний, промисловий, екологічний, соціальний, культурний, науково-технічний, інфраструктурний, інноваційний, більшість з яких підсилюється розвитком туризму та його впливом на економіку у цілому. Туристична галузь України як самостійна і впливова галузь економіки повинна розвиватися у контексті всього інноваційного потенціалу, до якого залучають діджитал-технології, фінтех-технології (технології у фінансовому ринку), іншуртех-технології (технології у страховому ринку). При цьому держава повинна прийняти законодавчі акти, що захищають права клієнтів, захищати клієнтів і бізнес, у тому числі від кіберзлочинності¹⁴⁰. Злочинці буквально «окупували» новітні технології, і роблять це так успішно, що ми постійно відстаємо від них зі своїми засобами захисту. Сьогодні не існує жодного комп'ютера або смартфона, який не може бути зламаний, і нічого не можна зберегти у таємниці - від персональних даних до військових розробок, що коштують мільярди доларів.

Конкурентоспроможність туристичної галузі може бути розроблена на основі найновішої програми використання ІКТ, а до цього слід залучити наукові та громадські сили всіх регіонів, які б завдяки програмам розвитку туризму забезпечували високий рівень

¹³⁸ Никитенко, Віталіна, Білогур, Влада (2019). Развитие туризма как приоритет качественных изменений жизнедеятельности человека в условиях информационного общества и глобализации Mokslas ir praktika: aktualijos ir perspektyvos. Theory and practice: problems and Prospects. Scientific articles. Kaunas. P. 183-190.

¹³⁹ Ford, M (2016). Engineering and the threat of the future. Kyiv: Our format, 400 s.

¹⁴⁰ Goodman, Marc (2019). Future Crimes. K.: Ranok: Fabula. 592 s.

економічного і соціального добробуту, якості життя, продавали більше туристичних послуг високої якості свого регіону. Не випадково «існує Індекс щасливої планети, який поєднує у собі матеріальний достаток та вираження задоволеності власним життям»¹⁴¹, що включає рівень добробуту, рівень задоволеності власним життям, рівень щасливої людини. Існує також і Індикатор справжнього прогресу на душу населення, що також пов'язаний з розвитком туристичної галузі. В основному його зростання є мірилом загального людського добробуту, оскільки він підкреслює економічне благополуччя, яке залежить від нагромадженого природного, трудового, фізичного, соціального капіталу та визначає сфери, які потребують суспільних покращень та в яких такі покращення можливі. Саме до таких покращень належить і галузь туризму, яка свідчить про вимірювання сталого добробуту, що виробляє Індекс сталого добробуту. Позитивні внески до добробуту з боку соціального капіталу можна зафіксувати за допомогою опитувань про різноманітні компоненти задоволеності життя, до яких відноситься і сфера туризму: рівень подорожей, кількість подорожей, рівень індивідуального рівня задоволеності життям.

Так, регіони України можуть сприяти розвитку програм по підвищенню індивідуального рівня задоволеності життя та підвищення добробуту за рахунок туристичних маршрутів та різноманітних програм туризму, які можуть бути удосконалені за рахунок впливу на розвиток туризму ІКТ. Головними інструментами такої політики повинні стати: 1) програма інвестицій у розвиток туристичної галузі регіону у контексті інноваційних програм розвитку ІКТ у туризмі; 2) координація регіонального розвитку на певних сегментах туристичного розвитку, зокрема покращення координації і синергії між інвестиціями та їх складовими; 3) соціально-інноваційні програми на підтримку окремих регіонів (спеціальні туристичні програми).

Сутність і напрямки регіональної туристичної галузі України залежать від розвитку кластеризації та її удосконалення. В період економічного росту особлива увага звертається на створення сприятливих умов розвитку регіонів та територій, підвищення стандартів життя населення за рахунок розвитку туризму. У різні часи на перший план виступають ті чи інші пріоритети у розвитку ІКТ у туризмі: збереження соціального капіталу туристичної галузі, ефективності використання територій та робочих місць, формування нових об'єктів туристичної інфраструктури¹⁴². Ефективному розвитку кластеру може заважати низький рівень розвитку ключових інфраструктур регіону, відсутність виразної концепції брендингу і концепції маркетингу туристичних послуг регіону, а також низький рівень сервісних послуг.

Умовами для конкурентоспроможності туристичної галузі в Україні у контексті посилення ефективності її кластеризації слугують: 1) багаті природно-кліматичні умови регіонів, підвищення комфортності туристичного бізнесу та використання унікальних культурно-історичних ресурсів, традицій, вивчення менталітету народу; 2) доступність туристичного бізнесу для більшості населення, а не окремої її частини, яка може подорожувати; 3) розвиток ефективної системи комунікацій та інфраструктури туристичного бізнесу, зручний доступ до об'єктів туристичного бізнесу; 4) створення системи безперервного вивчення туристичного бізнесу, збору і обробки інформації відносно великих даних; 4) акцентуація на певних групах споживачів і розвиток різноманітних видів туризму, які б зацікавили всі верстви населення, – від наукового, зеленого, медичного, гастрономічного до сільського; 5) вивчення попиту потреб, що плінно змінюються в умовах інформаційно-цифрового суспільства, та розвиваються під впливом ІКТ, зростання

¹⁴¹ Ernst Ulrich von, Weizsacker, Anders, Wijkman (2018). Capitalism, Short-termism, Population and the Destruction of the Planet. A Report to the Club of Rome. Club of Rome. 276 s.

¹⁴² Jurgen, Appelo (2019). Management 3.0. Agile management. Leadership and management teams. K.: Morning: Fabula. 432 s.

споживацьких переваг, моди на туризм, безпеки туризму; б) подолання негативних наслідків обмеженого входження нових фірм та ринків послуг туризму, прокату автомобілів, перевезень та розваг, що є результатом повільного росту якості послуг та слабку диверсифікацію попиту на ринкових сегментах туризму¹⁴³.

У контексті взаємодії людей і держави у найближчому майбутньому відбудуться серйозні зміни. Сучасні ІКТ відкривають нові шляхи спілкування зі споживачем в режимі он-лайн, надання державних технологічних сервісів (ДержТех-державні технології), електронних технологій, цифрового підпису, завдяки якому можна виконувати багато операцій у режимі онлайн, зберігання багатьох даних громадян у цифровому вигляді, упровадження електронного уряду (e-government). Державні сервіси повинні бути надійними, безпечними і якісними, а з точки зору людей - простими і зручними. Технології, які зараз приносять зміни у всіх сферах, можуть знайти застосування і для туристичної галузі – роботизація, штучний інтелект, Великі Дані, інтернет речей, smart-технології¹⁴⁴. Електронний уряд чи «держава у смартфоні» – це перенесення всіх сфер державних сервісів у цифровий вид. У результаті впливу ІКТ на всі сфери діяльності суспільства зміниться взаємодія людей і держави, бізнесу, держави та громадянських структур всередині країни. Тепер робочий час співробітників державних органів не буде витрачатися на бюрократію та ручну паперову роботу. Банківські операції повинні також відбуватися також у режимі он-лайн. Податкові декларації подаватися в електронному вигляді. Оплата за паркову автомобілів у місцях туристичного сервісу повинна здійснюватися через мобільні облаштування. В Україні ще попереду велика робота по переходу на цифрові формати та автоматизацію туристичного сервісу. Переведення всіх даних на цифрову систему допоможе спростити багато процесів і надасть можливість ефективно користуватися туристичними послугами та сервісом, в якому будуть використані ІКТ.

Висновок. Призначення туристичної галузі України – розкриття культурного та туристичного потенціалу України з використанням новітніх ІКТ, удосконалення взаємодії держави з несенням та надання послуг на високому рівні; створення на рівні регіонів високоефективних та конкурентоспроможних центрів по наданню туристичних послуг. Так, в Україні є подібні кластери, але їх слід удосконалювати. Карпатський кластер представлений Українськими Карпатами з унікальною природою гірських ландшафтів, багаточисленними річками, багатими на рослинний і тваринний світ, різноманітністю природи та багатими культурними традиціями, який є пріоритетом в Україні. Аналогічних кластерів в Україні багато – Запорізький, Чернігівський, Мелітопольський, кластер «300+», що є основою для створення кластерних формувань розвитку туристичної галузі України. Слід виділити регіони України: 1) Київ; 2) Дніпровський, Запорізький, Донецький; 3) Харківський, Львівський, Одеський, Київський, Миколаївський; 4) Житомирський, Хмельницький, Черкаський, Волинський, Закарпатський, Рівненський, Івано-Франківський, Тернопільський, Чернігівський; 5) Кіровоградський, Херсонський, Вінницький, Сумський. Держава повинна зробити все, щоб розвивати туризм у цих регіонах та упроваджувати ІКТ в туристичну галузь, завдяки якій вона отримає злет.

Практичні рекомендації.

1. Удосконалити цифрову інфраструктуру туристичних кластерів України з метою виходу на міжнародні туристичні ринки з метою посилення співпраці у сфері фінтеху та іншуртеху та

¹⁴³ Voronkova, Valentina, Maksimenyuk, Marina, Nikitenko, Vitalina (2016). Humanistic Management in the Context of Philosophic Anthropology: Human Dimension. / «Intellectual Archive». Vol. 5, No. 1. P. 37-48.

¹⁴⁴ Ryzhova, I. S. (2017). Smart-technology as a factor of development of modern design. Humanitarian Bulletin of Zaporizhzhia State Engineering Academy. Issue 69. P. 174-183.

стимулювати розвиток інновацій у туристичній галузі з використанням ІКТ, залучаючи внутрішні акселератори та інкубатори туристичних страхових компаній і груп.

2. Сприяти підвищенню іміджу територій туристичних кластерів України та приватного і державного партнерства, так як зростає вплив глобальних конгломератів, консорціумів і хабів, створених державою і бізнесом, в контексті яких може розвиватися і туристична галузь.

3. Сприяти пошуку ідей, продуктів, сервісів які б мали конкурентні переваги на туристичному ринку, сприяти підготовці цифрових та кластерних економістів, фінансистів, маркетологів, здатних сприяти удосконаленню кластеризації туристичного ринку України та підвищенню його ефективності.

4. Розвивати стартап-проекти у туристичному бізнесі з метою виявлення нових ідей, які б використовували автоматизацію під управлінням штучного інтелекту, що може змінити страховий бізнес, працюючи з великими даними у режимі реального часу, та створюючи туристично-рекреаційні кластери.

5. Застосовувати технології блокчейн у страхуванні туристичного бізнесу, смарт-контракти на блокчейні для закриття своп-угод за умови існування катастрофічних ризиків, що можуть виникнути при купівлі туристичних сервісів.

6. Розвивати медичний туризм, який є сучасним явищем інноваційного туристичного прогресу, що вимагає розробки туристичних кластерів та необхідності мати для цього повні дані, повні ціни в режимі он-лайн, так як зростає кількість осіб, що прагнуть використати медичні заклади України для лікування.

7. Удосконалити напрями розвитку кластеризації туристичної галузі України з точки зору економіко-територіального підходу до її реалізації в інформацій-цифровому суспільстві, удосконалюючи інфраструктуру туристичних кластерів України з метою виходу на міжнародні ринки та залучаючи до регіональних кластерів України, пропагуючи найкращі традиції вітчизняного туризму.

Література:

1. Shevchenko, A (2018). Didžital era. Just at digital tehnologiâh. K: Sammit-book, 2018. 457 s.
2. Adamova, K. Z. (2009). Clustering in tourism as a factor of globalization / the I International Scientific Conference "Globalization and tourism: problems of interaction» Saratov, 15-16 April, 2009.
3. Kalchenko, O. (2009). Klasterizacija in turistichnij galuzi / Chernigivskogo tehnologichnogo universitetu State Journal. No. 39. P. 186-195.
4. Білогур, Станіслав (2019). Концептуальні основи кластеризації туристичної галузі України з точки зору економіко-територіального підходу до її реалізації // Mokslas ir praktika: aktualijos ir perspektyvos. Theory and practice: problems and Prospects. Scientific articles. Kaunas. 272 s.
5. Никитенко, Віталіна, Білогур, Вікторія (2019). Развитие туризма как приоритет качественных изменений жизнедеятельности человека в условиях информационного общества и глобализации Mokslas ir praktika: aktualijos ir perspektyvos. Theory and practice: problems and Prospects. Scientific articles. Kaunas. 272 s.
6. Ford, M (2016). Engineering and the threat of the future. Kyiv: Our format, 400 s.
7. Goodman, Marc (2019). Future Crimes. K.: Ranok: Fabula. 592 s.
8. Ernst Ulrich von Weizsacker, Anders, Wijkman (2018). Capitalism, Short-termism, Population and the Destruction of the Planet. A Report to the Club of Rome. Club of Rome. 276 s.
9. Jurgen, Appelo (2019). Management 3.0. Agile management. Leadership and management teams. K.: Morning: Fabula. 432 s.
10. Voronkova, Valentina, Maksimenyuk, Marina, Nikitenko, Vitalina (2016). Humanistic Management in the Context of Philosophic Anthropology: Human Dimension / «Intellectual Archive». Vol. 5, No. 1. P. 37-48.
11. Ryzhova, I. S. (2017). Smart-technology as a factor of development of modern design. Humanitarian Bulletin of Zaporizhzhia State Engineering Academy. Issue 69. P. 174-183.

2.2. Motion design in a modern visual-communicative environment

2.2. Motion-дизайн в сучасному візуально-комунікативному середовищі

Поняття motion-дизайну досить недавно закріпилося в вітчизняному професійному середовищі. Термін «motion graphics» увійшов в світ разом з появою компанії Motion Graphics Inc, яку заснував Джон Вітні (John Whitney). А от застосовувати в широкій практиці термін почали після виходу книги «Creating motion graphics» (автори Trishand Chris Meyer's), де докладно розповідалося про використання Adobe After Effects. Motion Design – це аббревіатура від «motion graphics design» або дослівно «Графічний дизайн в русі». Дослідженнями в напрямку motion-дизайну проводилися М. В. Мурашко (2015)¹⁴⁵. Проблеми застосування інформаційних технологій розглядав в своїх роботах М. М. Близнюк (2002)¹⁴⁶. Анімацію на телебаченні та її застосування досліджувала Н. Г. Кривуля (2008)¹⁴⁷. У вивченні питань, що пов'язані з проблемами мультимедіа, можна виділити роботи М. Маклюєна (1964)¹⁴⁸.

Візуальні комунікації – комунікації за допомогою візуальної мови (зображень, знаків, образів, типографіки, інфографіки) з однієї сторони та візуального сприйняття х іншої. Комунікаційний дизайн – функціональна сфера дизайну, що спрямована на передачу повідомлення за допомогою візуальних об'єктів. З психологічної точки зору комунікаційний дизайн – метод свідомого формування образів, який призводить до виникнення позитивних або негативних почуттів.

Motion-дизайн використовується в сучасному візуально-комунікативному середовищі (інтернет, мобільні достатки, тощо). Motion графіка – анімована графіка в русі, яка допомагає візуалізувати ідеї і дані за допомогою графічних 2D, 3D і відео редакторів. Motion-дизайнер поєднує в собі знання та навички інших фахівців: від графічного дизайну та анімації до режисури, основ драматургії і сценарію. Motion-дизайнер розробляє проекти, що дають змогу найбільш чітко та лаконічно розкрити глядачеві складні і задуми, структуровані в простій і зрозумілій для глядача формі. Відобразити і існуючі, і неіснуючі в реальному світі об'єкти у фантастичному відео-середовищі.

Motion-дизайн має багатий спектр застосування: в оформленні телеєфіру, спецефектах, титрах до фільмів, відео рекламі. Так наприклад, кожні 12 хвилин у 1 годині телеєфіру – це саме робота motion-дизайнерів. Визначення motion-дизайну говорить про те, що це процес створення анімаційної графіки, або графіки в русі. Раніше створення анімованої графіки було складним, трудомістким і дорогим процесом. Однак, чим швидше розвивалися комп'ютерні технології, тим швидше йшов і розвиток motion-дизайну. Починаючи з 2000-х років, він вже щільно увійшов у відео-індустрію, а з 2010-х став широко застосовуватись у медіа і маркетингу. Наприклад, анімаційна графіка з'являється в титрах до фільмів і відео, а музична індустрія активно застосовує її в створенні відео кліпів. Заставки у фільмах і телепередачах створюють настрій налаштовують на потрібний лад, щоб правильно сприймати інформацію. Вони викликають емоції і інтригують. Графічні переходи між блоками контенту в телебаченні дозволяють змінювати теми без втрати уваги глядача, а будь-яке розважальне шоу обов'язково супроводжується анімаційної графікою.

¹⁴⁵ Мурашко М. В. Принципи візуального сприйняття інформації в дизайні рекламного ролику / М. В. Мурашко // Аркадія. – Одеса, 2015. – № 4 (45). – С. 46-57.

¹⁴⁶ Близнюк М. М. Інформаційні технології в мистецтві та дизайні: освітній аспект / М. Близнюк // Вісн. Харків. держ. акад. дизайну і мистецтв: зб. наук. пр. – Харків, 2002. – Вип. 6. – С. 58-61.

¹⁴⁷ Кривуля Н. Г. Анімація и телевидение: роман, о котором не говорят / Н. Г. Кривуля // Искусство и образование. – 2008. – № 3. – С. 35-54.

¹⁴⁸ McLuhan M. Understanding Media: The Extensions of Man / M. McLuhan. – New York: McGraw Hill, 1964. – 396 p.

Motion-дизайн – можливість для брендів представляти свої ключові ідеї і цінності. Реклама використовує motion-графіку, щоб виділитися із загального потоку і донести рекламне повідомлення аудиторії в лічені секунди

Інформаційний дизайн – галузь дизайну, практика художньо-технічного оформлення та представлення різної інформації з урахуванням ергономіки, функціональних можливостей, психологічних критеріїв сприйняття інформації людиною, естетики візуальних форм представлення інформації і деяких інших чинників. В інформаційному дизайні традиційні і нові принципи дизайну застосовуються до процесу перетворення складних і неструктурованих даних в цінну, осмислену інформацію. За допомогою картинок, символів, кольору, слів відбувається передача ідей, ілюстрація даних або візуалізація відносин. Основною метою інформаційного дизайну є ясність комунікації: повідомлення повинно не тільки бути точно передано відправником, але і правильно зрозуміло одержувачем. Інформаційний дизайн будується на функціональних і естетичних принципах. До функціональних принципів можна віднести: полегшення розуміння і навчання; чітка структура повідомлення; ясність; простота; єдність елементів повідомлення; забезпечення високої якості повідомлення. До естетичних принципів належать: гармонія, пропорційність та естетика вирішення. Тобто сприйняття візуальної інформації залежить від легкості читання тексту, від його розташування на сторінці. Наприклад, текст, надрукований у вузький стовпчик, зчитується повільніше, ніж той же текст, надрукований більш широким планом. Вертикальна лінія тексту зчитується довше, ніж горизонтальна, хоча вони можуть бути рівними за величиною.

Один з сучасних напрямів в motion дизайні – анімована типографіка. Типографіка, з одного боку, являє собою одну з галузей графічного дизайну, з іншого – збір суворих правил, що визначають використання шрифтів з метою створення найбільш зрозумілого для сприйняття глядача текст. Анімована типографіка – мистецтво оформлення тексту, що базується на певних, властивих конкретної мови правилах друкованих типографічних текстів (2000.)¹⁴⁹ Зір є головним каналом сприйняття типографічних зображень. Половина ресурсів мозку використовується для обробки та інтерпретації зорової інформації. Те, що сприймають наші очі, є тільки частиною загального процесу. Зображення, що надходять у мозок, змінюються і інтерпретуються. Можна сказати, що мозок «бачить». Американські психологи визначили, що найкраще запам'ятовується інформація, розташована на тлі в правому верхньому кутку. Їй належить 33% нашої уваги. Потім йдуть лівий верхній кут (28%), правий нижній (23%) і лівий нижній кути (16%) (2006)¹⁵⁰.

Проведені дослідження показали що майже 90% інформації, що надходить через очі, до мозку не доходить. Таким чином, мозок використовує попередній досвід або наявні знання для конструювання реальності. Візуальна інформація, яку ми сприймаємо, з'єднується з попередньо записаними відомостями про світ, отриманими нами дослідним шляхом. Виходячи з різних прикладів теорії спадної обробки інформації впливає, що розпізнавання образів ґрунтується на контекстуальній інформації. Сприйняття інформації що подається за допомогою типографічного дизайну також ґрунтується на певних правилах (1964)¹⁵¹, (2006)¹⁵². (2000.)¹⁵³:

¹⁴⁹ Кричевский В. Г. Типографика в терминах и образах. – М: Слово, 2000. 312 с.

¹⁵⁰ Ефимов В. В. Великие шрифты. Книга 1. Истоки. – М.: ПараТайп, 2006. – 387 с.

¹⁵¹ McLuhan M. Understanding Media: The Extensions of Man / M. McLuhan. – New York: McGraw Hill, 1964. – 396 p.

¹⁵² Ефимов В. В. Великие шрифты. Книга 1. Истоки. – М.: ПараТайп, 2006. – 387 с.

¹⁵³ Кричевский В. Г. Типографика в терминах и образах. – М: Слово, 2000. 312 с.

– важлива інформація (або об'єкти, до яких ви хочете привернути увагу) розміщуйте у верхній третині екрану або в центрі. Уникайте розміщення будь-якої важливої інформації по краях екрану, так як туди люди зазвичай не дивляться;

– тексти, що складаються тільки з великої літери, сприймаються як «кричущі» і для людського ока виглядають незвично, так що користуйтеся великими літерами акуратно. Застосовуйте слова, що складаються тільки з великої літери, в заголовках і в тих випадках, коли потрібно привернути увагу, наприклад перед видаленням важливого файлу;

– розмір шрифту має велике значення Шрифт повинен бути досить великим, щоб його можна було читати без напруги.

Motion design часто називають «невидимим мистецтвом» тому, що люди при перегляді, наприклад, теленовин, як би «не помічають» заставок і перебивок до них. Зазвичай заставки деяких видів відеопродукції: серіали, передачі тощо, глядач сприймає як належне не акцентуючи на цьому вже увагу. Тому в motion design використовують термін «Айдентика», що відбувся від англійського «Identify» – ідентифікувати, дізнаватися.

Саме за допомогою айдентики телеглядачі відрізняють один телеканал від іншого. Айдентика є одним з сучасних напрямів в сучасному motion design, яка зустрічається у всіх видах відеопродукції, веб-проектів, на яку мають великий вплив основні тенденції в motion design (Рис. 1).



Рис. 1. Айдентика телеканалів «Плюс плюс» та «НЛО TV»

Основні тенденції motion-дизайну:

– Simplified Iconography (Спрощена іконографіка). Цей тренд більше стосується логотипів, але також важливим для motion design. Головний принцип це мінімалізм, простота, пізнаваність.

– Змішування 3D і 2D графіки 3D-об'єкти розміщуються в 2D-просторі, інтенсивне використання кутів щоб створити більш графічний, стилізований, і ілюстрований вид.

– Безшовні переходи – створюють відчуття плинності і дозволяють сцени течі в наступний без будь-яких перерв або порізів між ними.

– Кинетична типографіка. Різноманітне використання шрифтів також знаходить своє місце в motion design

– GIFs являють собою відмінний спосіб передати повідомлення в стислій формі і часто використовуються, щоб показати емоції і додати трохи гумору.

Анімована інфографіка – один з напрямів motion-дизайну, що використовується в комунікативному середовищі. Серед основних переваг застосування motion-дизайну в сучасних медіа слід визначити, перш за все, універсальність. Продукти motion-дизайну, такі як рекламне відео, корпоративна презентація, відео арт, використовуються у рекламі

компаній і застосовуються на мобільних пристроях, тощо. Широке охоплення аудиторії – це одна з переваг застосування motion-дизайну. Основне призначення інфографіки – покращення процесу сприйняття інформації, її пояснення за допомогою графічних об'єктів та транслявання інформації в більш зручному вигляді в порівнянні з текстовим еквівалентом. Це легко пояснити тим фактом, що близько 90% всієї інформації, що надходить в мозок, є візуальною. Інформативність motion-графіки дозволяє розповісти складні речі простою і зрозумілою всім мовою. Слід зазначити, що анімаційна графіка використовує відразу три канали сприйняття інформації: зображення, текстова інформація і звук. За допомогою motion-графіки можна візуалізувати конкретні дані і абстрактні ідеї, використовуючи візуальні ефекти, аудіо, графічний дизайн і різні методи анімації. Створений продукт може бути розміщено на телебаченні, на веб-сайтах, в групах соціальних мереж, на відео-порталах, що дозволяє донести його до широкого кола глядачів.

Ефект переваги зображень – один з важливих принципів, на якому базується інфографічний дизайн. Картинки легше розпізнаються і згадуються ніж слова, хоча обсяг пам'яті для запам'ятовування картинок і слів разом перевищує обсяг пам'яті картинок і слів окремо. Наприклад, інструкції та керівництва користувачів, що представляють собою текстову інформацію обов'язково містять ілюстративний матеріал, завдяки чому користувачі згадують інформацію легше, ніж якби вона була тільки текстовою або тільки ілюстративною. Цей ефект часто використовують у рекламі.

Для того, щоб глядач сприйняв всю передану в анімаційному фільмі інформацію, запам'ятовував найголовніше, виділяв отриману інформацію на тлі інших, дизайнер повинен не тільки слідкувати всім принципам гармонізації композиції, керувати кольорово-текстурними аспектами і анімацією, він також повинен розуміти психологію глядача.

Найкращого ефекту інфографіка досягає тільки в тому випадку, коли розташування всіх її елементів має композиційне обґрунтування. Якість і дієвість графічного подання оцінюються багатьма критеріями: співвідношенням тексту і графіки, точністю і новизною інформації, цілеспрямованістю і структурною єдністю всіх елементів. Опрацювання цих складових робить інформацію простішою для сприйняття і забезпечує можливість її донесення до більш широкої аудиторії. Прийоми, які використовуються для створення інфографічних візуалізацій, можна класифікувати за інформаційним поданням. Залежно від природи інформації, яку належить передати графічно, можна умовно виділити графічні прийоми: «порівняння», «конструктор», «довідник» (Рис. 2).

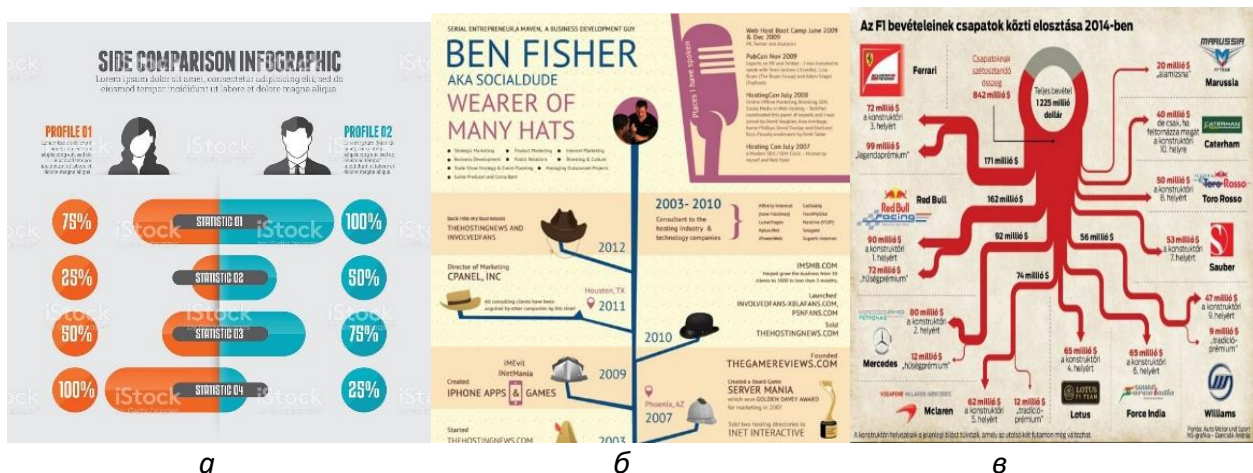


Рис. 2. Приклади подання інфорграфіки у форматі: а) «інфографіка-порівняння» б) «інфографіка- конструктор» в) «інфографіка-довідник»

Важливою складовою процесу сприйняття інформації слід визначити «послідовність її розкриття». Це управління комплексною інформацією, яке припускає, що в кожен момент часу показується тільки необхідна або запитана інформація. Послідовне розкриття інформації включає в себе поділ інформації на безліч шарів і логічне представлення тих з них, які є необхідними в даний момент. Тобто інформація повинна бути подана з певною логічною послідовністю, де окремі сцени та епізоди повинні бути взаємозв'язані. Поступовий розвиток сюжету у відеоряді, іноді об'єднаний переходом через елементи від сцени к сцені, дозволяє поступово розкривати інформацію, при цьому вибудовуючи її в логічний ланцюг. Відеоінформацію можна розбити на блоки і вести глядача через них, утримуючи його увагу і дозволяючи інформації засвоюватися поступово.

Анімаційна реклама найчастіше застосовує метод послідовного розкриття для своїх відео роликів. Метод послідовного розкриття – стратегія управління комплексною інформацією, що припускає, що в кожен момент часу показується тільки необхідна або запитана інформація. Послідовне розкриття інформації містить у собі поділ інформації на безліч шарів і уявлення тих з них, які є необхідними або релевантними у даний момент. Завдяки послідовному розкриттю екран не наповнюється зайвими елементами, що допомагає людям управляти комплексною інформацією, безпомилково в ній орієнтуючись. У рекламі це працює як проходження від однієї сцени до іншої, при цьому в кожній новій сцені розкриваючи тільки певну частку інформації, не навантажуючи екран зайвими елементами. Поступовий розвиток сюжету у відеоряді, іноді об'єднаний переходом через елементи з сцени у сцену, дозволяє поступово розкривати інформацію, при цьому вистояючи її в логічну лінійку. У цьому також анімаційна реклама має перевагу перед друкованою, в якій потрібно подавати всю інформацію в рамках одного плакату. У відео інформацію можна розбити на блоки і вести глядача через них утримуючи його увагу і дозволяючи інформації засвоюватися поступово.

Сьогодні для рекламних роликів найбільш актуальним є використання принципів сприйняття візуальної інформації (2015)¹⁵⁴, (2012)¹⁵⁵. Це допомагає глядачеві поступово запам'ятати інформацію, дизайнеру – виділити головне, і в деякому сенсі, маніпулювати свідомістю, викликаючи необхідні асоціації з продуктом або послугою, що рекламується у ролику. Принципи візуального сприйняття інформації у анімаційному дизайні слід брати до уваги як додатковий фактор, який структурує матеріал. Вони пояснюють те, яким чином глядач дивиться і засвоює інформацію за допомогою візуальних засобів. Вплив анімаційного ролику на свідомість глядача, його запам'ятованість, відміна від інших проектів, а також відповідність створюваного образу до рекламного повідомлення – це маркетингові складові, що тісно переплітаються з завданнями дизайн-проекування рекламного ролику.

Одним з способів створити образ продукту є розробка персонажу, що буде з ним асоціюватись. Для розробки персонажу слід враховувати багато факторів та специфіки характеру. Для створення персонажа анімаційного фільму необхідно вміння поєднувати образ, його внутрішній стан і характер із зовнішнім виглядом. Образ героя анімаційного фільму та / або реклами поєднує в собі загальне і індивідуальне, неповторне. Через характер розкривається авторський погляд на світ і персонажа. Для кращого розуміння характерів героїв необхідно простежити їх індивідуальні особливості протягом усього сценарію майбутнього відеопродукту, розкрити їх через форму, рух та колір. При розробці дизайну персонажа важливо пам'ятати про те, щоб він був лаконічним і легко читався.

¹⁵⁴ Мурашко М. В. Принципи візуального сприйняття інформації в дизайні рекламного ролику / М. В. Мурашко // Аркадія. – Одеса, 2015. – № 4 (45). – С. 46-57.

¹⁵⁵ Анимация и телевидение: роман, о котором не говорят / Н. Г. Кривуля // Искусство и образование. – 2008. – № 3. – С. 35-54.

В основі дизайну персонажу краще закладати базові форми (коло, квадрат, трикутник), які згодом доповняться необхідними деталями. Базові геометричні форми вже самі по собі мають характер, наприклад, коло, по сприйняттю здається нам більш веселим, м'яким, рухливим і доброзичливим. Квадрат сприймається глядачем як стійкий, консервативний, важко рухливий і упертий образ. Для найбільш яскравого прикладу підійде старий з фільму Піта Докера «Вгору», вся його постать і додаткові деталі являють собою суцільні квадрати, які роблять його образ максимально упертим і нерухомим. У нього – голова квадратної форми, окуляри в квадратній оправі і паличка, на яку він спирається, в основі має чотири точки опори

Трикутна форма, в залежності від розташування вершин, може сприйматися по-різному, однак найчастіше гострі кути елементів додають саме негативним персонажам.

Розглянемо використання геометричних фігур на прикладі відомих персонажів анімаційних стрічок студії Дісней: позитивні персонажі відрізнялися чистими, яскравими та широкими за спектром кольорами. За формою вони не мають гострих кутів та взагалі більш наближені до кола або еліпсу (Рис. 3). Наприклад, головний персонаж анімаційної стрічки «Русалонька» Аріель має форми наближені до кола, як і риба Флаундер, має наближену до кола форму.

На противагу цим персонажам виступають їх антагоністи. Наприклад у мультфільмі «Русалонька» – це Урсула. Вона має дуже важку форму, яка включають багато гострих кутів: кути губ, зачіска, форма носа, щупальця, вузький розріз очей, що свідчить про підступність. Джафар з мультфільму «Аладін» в верхній частині тулуба має форму трикутника. За психологією геометрії трикутник – дуже впевнена людина із сильною потребою бути правим і керувати станом справ.

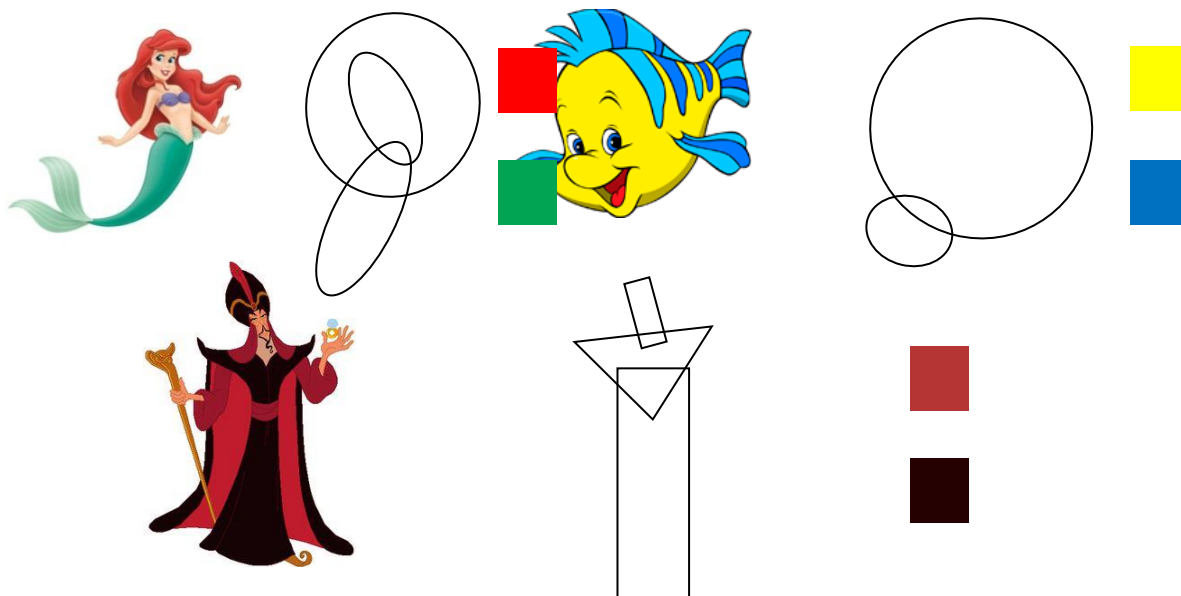


Рис. 3. Позитивні та негативні персонажі на прикладі продукції компанії Walt Disney

Характер персонажів можна передавати за допомогою кольорових сполучень. Наприклад, для злих персонажів характерні темні кольори і різкі контрасти (червоно-чорний, чорно-зелений, чорно-синій і інші). Причому частка чорного кольору в співвідношенні з іншими кольорами значно більша. Для добрих персонажів колірна гамма близька до постільною тонам, мінімум колірних контрастів.

Важливим є пізнаваність персонажа і можливість запам'ятовуватись глядачам, необхідно перевіряти його на читаність в силуеті. Персонаж повинен вгадуватись в силуетах

чорного кольору. Персонаж повинен бути розроблений таким чином, щоб згодом було зрозуміло, як його рухати і як їм грати. Для цього повинна бути продумана конструкція персонажа, і його пластичні можливості.

Сучасні інформаційні та комунікативні технології стали невід'ємною частиною повсякденного життя людини, що значною мірою впливають та визначають розвиток людства. Специфіка і структура певної комунікативної взаємодії у певному просторі висуває вимоги до візуальних засобів її реалізації. Сьогодні фахівці в більшості сфер дизайну асоціюють поняття “графічні технології” з новітніми методами підтримки окремих етапів процесу дизайн-проекування в різних сферах комунікативного дизайну. Проведені дослідження показали, що motion-дизайн має широкий спектр застосувань в комунікативно-інформаційному просторі. Отримані матеріали дослідження мають потенціал для подальшої використання у вивченні та визначенні сучасних принципів дизайну motion-продуктів.

Література:

1. Мурашко М. В. Принципи візуального сприйняття інформації в дизайні рекламного ролику / М. В. Мурашко // Аркадія. – Одеса, 2015. – № 4 (45). – С. 46-57.
2. Близнюк М. Інформаційні технології в мистецтві та дизайні: освітній аспект / М. Близнюк // Вісн. Харків. держ. акад. дизайну і мистецтв: зб. наук. пр. – Харків, 2002. – Вип. 6. – С. 58-61.
3. Кривуля Н. Г. Анимация и телевидение: роман, о котором не говорят / Н. Г. Кривуля // Искусство и образование. – 2008. – № 3. – С. 35-54.
4. McLuhan M. Understanding Media: The Extensions of Man / M. McLuhan. – New York: McGraw Hill, 1964. – 396 p.
5. Кричевский В. Г. Типографика в терминах и образах. Москва 2000. 312 с
6. Ефимов В. В. Великие шрифты. Книга 1. Истоки. – М.: ПараТайп, 2006. – 387 с.
7. Кривуля Н. Г. Аниматология: Эволюция мировых аниматографий. В 2-х томах. М. 2012.

2.3. Impact of modern information and innovative technologies for the development of industrial management in the conditions of globalization 4.0 and technological revolution 4.0

2.3. Інформаційні та інноваційні технології як чинник підвищення ефективності економіки та бізнесу в умовах глобалізації 4.0 та технологічної революції 4.0

Інформаційні та інноваційні технології як чинник підвищення ефективності економіки та бізнесу в умовах глобалізації 4.0 та технологічної революції 4.0 представляють сукупність норм, цінностей, поглядів, технологій та алгоритмів дії, в основі яких еволюційні зміни, що трансформують всі сфери діяльності, що приводять до роботизації, автоматизації, тотальної комп'ютеризації, що змінюють світ. Інформаційні та інноваційні технології як чинник підвищення ефективності економіки та бізнесу в умовах глобалізації 4.0 та технологічної революції 4.0 охоплюють нині всі сфери діяльності – від криптовалют, блокчейну, великих даних – Big Data до штучного інтелекту тощо, включаючи інвестиції в освіту, людину, розвиток найперспективніших галузей.¹⁵⁶

Інформаційні та інноваційні технології як чинник підвищення ефективності економіки та бізнесу в умовах глобалізації 4.0 та технологічної революції 4.0 нагадують «машину часу», яка переносить нас у світ інновацій та цифровізацій як окремий світ, у якому сервіси роблять все зручним, швидким, простим та доступним і не тільки в онлайн-форматі. Завдяки інформаційним та інноваційним технологіям ми отримуємо нові продукти і сервіси, фокусуючись на потребах споживачів, розвиваючи нові інноваційні процеси і бізнес-моделі на ринках капіталу – при обробці платежів, управлінні депозитами, у страховому бізнесі. Крім того, «інженери налаштовані оптимістично до появи реального квантового комп'ютера і, поза сумнівом, побачимо ще багато цікавих технічних рішень. Ця технологія відкриває перед нами такі можливості, що світ докорінно зміниться».¹⁵⁷

Інформаційні та інноваційні технології у вигляді інновацій стимулюють розвиток бізнесу, локальних економік, а стартапи пропонують нові фінансові продукти та послуги і змінюють звичний образ життя традиційних фінансових гравців. Основні риси інформаційних та інноваційних технологій зосереджуються навколо того, що всі вони фокусуються навколо клієнта та його досвіду; продукти та послуги технологій є простими у використанні, зручними, завжди вирішують гострі проблеми клієнтів; всі системи технологій націлені на вирішення проблем людини, зокрема, платежі, перекази і кредитування. Технологічні компанії Великої п'ятірки (Facebook, Amazon, Apple, Google, Microsoft) продовжували весь цей час розвиватися, – смартфони, планшети, соціальні мережі та додатки, що сформували інформаційні та інноваційні технології. «Споживчі інновації, як-от мобільні телефони та відеомагнітофони, були широко впроваджені у США буквально за кілька років, а от на впровадження інших ідей, ідуть десятиліття», – зазначає Еверет М. Роджерс у роботі «Дифузія інновацій».¹⁵⁸

В результаті впровадження інформаційних та інноваційних технологій виникла велика прірва між традиційними фінансовими гравцями та технологічними компаніями, а з іншої – було утруднено залучення фінансування, тому деякі банківські системи і процеси залишалися складними і негнучкими, особливо на фоні підривної довіри клієнтів до банків.

¹⁵⁶ Azhazha, M. A. (2007). Investment in education as a factor of intellectual progress // Social perspective and regional development. Zaporizhzhia: "KSK-Alliance". P. 37-40.

¹⁵⁷ Al-Khalilijim (2017). What Next? Even scientists can't predict the future – or can they / London: Profile Books. P. 151.

¹⁵⁸ Everett M., Rogers (2009). Diffusion of innovations. Lane. with the English. Basil: Stark Look. House "Kyiv-Mohyla Academy". P. 35.

Інноваційні та інформаційні технології, що викликають найбільший інтерес, наступні: 1) штучний інтелект; 2) аналіз великих даних; 3) мобільні технології; 4) біометрія та ідентифікація; 5) кібербезпека; 6) роботизація та автоматизація; 7) блокчейн, що сприяє трансформації у фінансовому секторі. У першому кварталі 2017 р. об'єм фінансування фінтеху склав 3,2 млрд. дол. і 260 угод. «Наслідки подібних організаційних змін стали більш помітними у статистиці результативності на промисловому рівні. Підйом продуктивності в 1990-х роках був більшим у галузях виробництва комп'ютерів, але в цілому вона зростає навіть швидше у перші роки двадцять першого століття, коли велике коло галузей відчуло їхню важливість».¹⁵⁹

Зараз інвестори більшу увагу приділяють результатам стартапів, а головними фокусом інвестування скоріше будуть слугувати пропозиції з використанням штучного інтелекту. Головними драйверами фінтех-компаній виступають мережі і мобільність, у результаті чого відбуваються зсуви у сторону онлайн-серверів, тому розвивається електронна комерція в результаті незадоволеності від роботи банків, недостатнього інвестування в інноваційні сервіси зі сторони традиційних ігроків фінансового ринку.

В сучасних умовах інформаційного суспільства формуються нові види цифрової економіки (неоекономіка, інформаційна економіка, Інтернет-економіка, інноваційна економіка, економіка «суспільства знань»), що потребують відповідних інформаційних та інноваційних технологій та підготовки управлінської еліти як креативного класу, що формується на основі інформації, знань, інтелекту.¹⁶⁰

Інформаційні та інноваційні технології як чинник підвищення ефективності економіки та бізнесу в умовах глобалізації 4.0 та технологічної революції 4.0 складаються з великої сукупності алгоритмів, що проникають у цифровий менеджмент і формують економіку інформаційно-орієнтованого типу, що базується на інтелектуально-креативній компоненті, представленю людськими (інтелектуальними) ресурсами. Інформаційні та інноваційні технології включають оцифрування все більшої кількості інформації, товарів і послуг, у результаті чого відбуваються величезні покращення у сфері телекомунікацій, збільшення ролі мереж і стандартів.

Цифрові товари мають відчутно нижчі граничні витрати на виробництво, ніж фізичні; біти дешевші за атоми, не кажучи вже про людську робочу силу. Один виробник з веб-сайтом теоретично може задовольнити потребу мільйонів клієнтів. Завдяки технологіям створюється цифровий світ, в якому виробляється більше продукції за меншого використання кількості таких ресурсів, як сировина, капітал і робоча сила.¹⁶¹

Всі прояви технічного чи технологічного прогресу спираються на інформаційні та інноваційні технології, що є потужним двигуном росту і добробуту (сьогодні з'явилося таке поняття, як комп'ютерний достаток). З 1960-х років комп'ютери починали ставати доступними для малого бізнесу. Перрі вважає, що завдяки інноваціям і технологіям всі американці (особливо групи з низьким і середнім рівнем доходу) нині заможніші, ніж в попередній період.¹⁶² Проте сучасна епоха породжує і нові проблеми. Автоматизація становить загрозу для робітників із низьким рівнем освіти і низькою кваліфікацією.

¹⁵⁹ Brinolfsson, E. and Makafi, E. (2016). Druha epokha mashyn: robota, prohres ta protsvitannia v chasy nadzvychainykh sytuatsiy. Kyiv, P. 84.

¹⁶⁰ Voronkova, Valentina, Maksimenyuk, Marina and Nikitenko, Vitalina (2016) Humanistic management in the context of philosophic anthropology: human dimension. The new paradigm. Issue. 129. P. 64-76.

¹⁶¹ Voronkova, Valentina, Maksimenyuk, Marina and Nikitenko Vitalina (2016). Humanistic Management in the Context of Philosophic Anthropology: Human Dimension / «Intellectual Archive», Ontario, Kanada. Vol. 5, No. 1. P. 37-38.

¹⁶² Christopher, S. (2018). Total automation. How computer algorithms change life. Kyiv: Our format. P. 28.

Триває процес поширення великого обсягу даних (BIG DATA), якими володіють організації; з'явилася велика кількість нових професій; робототехніка.

Сьогодні ми повинні адаптуватися до потенційних наслідків прогресуючих технологій і перед нами може постати перспектива «ідеального шторму», викликаного інформаційними та інноваційними технологіями, що заповнили світ (блокчейн, криптовалюти, фінтех, іншуртех). Хто знає, яким може бути наше майбутнє, проте на світ майбутнього вже сьогодні слід дивитися іншими очима, так як це світ інноваторів, проривних технологічних ідей, «пришестя роботів» і штучного інтелекту, нано-і біотехнологій, що конкурують з людським мозком та вимагають нового механізму мотивації праці. Лін-виробництво – динамічна команда працівників, які повинні освоїти широкий набір навиків, потрібних для роботи в конкретній групі.¹⁶³

Інформаційне забезпечення розвитку сучасних технологій та технологічних процесів робить наше життя більш комфортним: прості у використанні, зручні сервіси дозволяють керувати автомобілем, описувати фотографії; інтелект, здатний клонувати себе і зберігати єдність зі своїми клонами; з'явився наноінтелект як найменший із можливих самосвідомих інтелектів; інтелект кіборгів, одна половина якого – машина, друга – людина, що базується на інформаціологічному підході та методі аналізу.¹⁶⁴

Масова автоматизація торкнулася всіх професій – від ручної роботи до інтелектуальної: швидкі роботи, які легко підіймають 70-кілограмові вантажі і складають у вантажівки; на ділянках маршрутів, що пролягають по трасі, вантажівками керують роботи, що посаджені у кабіну. До 2050 року більшість водіїв вантажівок будуть замінені роботами. Машина може перекладати з турецької на гінді, і вчетверо більшу суму може витратити на його програмування; з'явилися нові можливості 3D принтера. Роботами вже укомплектовують штат фабрик, які виготовляють айфони. Роботами можна замінити працівників Макдональдзу.

Щойно люди навчаться працювати разом з роботами, то їх задачі переплетуться. Деякі роботи опанували смислові процеси краще, ніж фізичні. Комп'ютеризована машина під назвою «автопілот» без сторонньої допомоги протягом усього часу польоту може управляти «Боїнгом-787». З 1990-х років комп'ютери займаються досудовим збором доказів. Вже скоро ми змиримся і з тим, що роботи краще працюватимуть в обслуговуванні та навіть у розумовій сфері. Автоматизована система вже сьогодні випускає тисячу штук латунних гайок за годину. Без комп'ютеризації ми б не виготовили жодного комп'ютерного чіпу. Можна з впевненістю сказати, що найбільш високооплачувані професії у 2050-му році будуть пов'язані з автоматизацією та машинами, роботи створюють працю, про яку ми навіть не здогадувалися.¹⁶⁵ У прийдешні роки роботи почнуть активно водити автомобілі та вантажівки, проводитимуть прості хірургічні операції, усі нові професії будуть автоматизовані. Інформаційне забезпечення розвитку сучасних технологій та технологічних процесів – це симбіоз людини і робота: роботи будуть робити те, що робили ми і значно краще за нас.

Вони допоможуть нам відкривати нові професії і нові задачі, які розширять межі того, ким ми є, вони допоможуть нам придумати нове важливе призначення людини у цьому світі. Якщо ми будемо конкурувати з машинами, то програємо, тому це змагання разом із

¹⁶³ James, P., Womack, D., Jones, T. and Rus, D. (2017). The machine that changed the world." History of line production – ark weapons "Toyota" in automotive wars. Library Lin Institute. Kyiv: Pavlum, Lean Snicit Ukraine. P. 134.

¹⁶⁴ Kyrychenko, M. (2017). Informatiology as a component of formation of ideology of information society. Humanities Bulletin of Zaporizhzhе State Engineering Academy, 69. P. 105-111.

¹⁶⁵ Maksimenyuk, M., Nikitenko, V. (2016). The formation of the paradigm of information-communicative society as a kind of complex social systems and interactions. Humanities Bulletin of Zaporizhzhе State Engineering Academy, 66. P. 266-278.

машинами. У майбутньому наша зарплата буде залежати від того, як добре ми будемо працювати з машинами. Нині увесь бізнес і велика частина суспільства залежать від комп'ютерів (цифрових технологій). Інформаційне забезпечення розвитку сучасних технологій та технологічних процесів сприяє тому, що потоки цифрових одиниць ставатимуть дедалі швидшими.¹⁶⁶

Сьогодні перед нами поставлено завдання – впровадження оперативного глобального високошвидкісного мережевого доступу до будь-яких національних та основних світових інформаційних ресурсів, перехід до систем зв'язку на цифрові стандарти, можливість здійснення найбільшої кількості електронних торговельних операцій та банківських розрахунків, вироблення та використання оптичних комп'ютерів та біокомп'ютерів, що вбудовані у живі організми.¹⁶⁷ Набувають широкого розповсюдження принтери 3D друку, що використовують в'язкий пластик замість чорнил. Працюючи з цифровим файлом, 3D принтер «вміє» будувати трьохвимірний об'єкт, роздруковуючи почергово його «шари».¹⁶⁸

Нанотехнології, кардинально покращать життя людини. Інакше кажучи, ми повинні спробувати створити новий тип людини, який перевершить нас в усьому (який називають постлюдиною). І біотехнології – це те, що сприяє розвитку інформаційного забезпечення розвитку сучасних технологій та технологічних процесів. Отже, аналізуючи інформаційне забезпечення розвитку сучасних технологій та технологічних процесів, ми прийшли до висновку, що цифрові технології вриваються в освіту, яка повинна перебудуватися (трансформуватися, адаптуватися, модернізуватися) і відповідати часу.

У багатьох аспектах Сінгапур наших днів – одне з найбільших інноваційних та економічно успішних міст на нашій планеті, яке має захмарний показник ВВП на душу населення – понад 78 тисяч дол., що більше, ніж у США, Швейцарії і багатих на нафту Об'єднаних Арабських Еміратах. За всіма показниками, які визначають рівень інноваційності країн, Сінгапур завжди входить до десятка перших. У Сінгапурі, населення якого становить лише 5,4 мільйона, функціонують механізми відповідальності національного уряду, але водночас держава має розміри й інфраструктуру великого міста, що здійснило прорив у технічному та технологічному розвитку, здійснивши умови для власних інноваційних розробок. Сінгапур націлений на те, щоб стати лідером і центром інновацій у подальшому інноваційному розвитку, стимулювати розвиток внутрішнього ринку і змінити баланс своєї економічної системи на користь інноваційних та інформаційних технологій. Сінгапур є лідером у розвитку інфраструктури, яка стала прямим внеском у розквіт виробничо-інформаційного та інноваційного сектора.

Висновки. Представлено аналіз інформаційних та інноваційних технологій як чинник підвищення ефективності економіки та бізнесу в умовах глобалізації 4.0 та технологічної революції 4.0, що приводять до роботизації, автоматизації, тотальної комп'ютеризації, штучного інтелекту. Інфраструктура є важливим компонентом, що є основним рушієм економічного зростання інформаційних та інноваційних технологій у провідних світових містах, які є найбільш відкритими до зовнішнього світу. Серед країн Центральної та Східної Європи Україна є основним джерелом, звідки відбувається залучення зовнішніх ресурсів для послуг в інформаційно-технологічній сфері. Ян Кум не єдиний українець, який зробив собі ім'я в галузі високих технологій.

¹⁶⁶ Melnyk, V. V. (2014). Hlobalizatsiia v kulturniy sferi: teoretyko-metodolohichniy analiz. Hileia. 86. P. 219-225.

¹⁶⁷ Nikitenko, V. O. (2013). Modern geokultura as a geokulturnij phenomenon. Humanitarian Bulletin of Zaporizhzhia State Engineering Academy / M. of education and science of Ukraine, Zaporizhzhia State Engineering Academy. Zaporizhzhia. Issue 53. P. 261-270.

¹⁶⁸ Everett M., Rogers (2009). Diffusion of innovations. Lane. with the nglish. Basil: Stark Look. House "Kyiv-Mohyla Academy", p. 173.

Наукові та технологічні компанії у Кремнієвій долині, Лондоні й Берліні перенаповнені українськими інженерами. Українські хакери, що працюють за наймом, одні з найкращих у світі. Україна могла б стати домівкою суперуспішних багатомільярдних компаній, якби створила функціональне середовище для інновацій. Україна повинна рухатися до більшої відкритості, меншої корумпованості і створення ділового середовища, сприятливого для таких людей, як Ян Кум, який процвітає в інформаційному середовищі західних країн.

Практичні рекомендації.

1. Розвивати міста, які б стали інкубаторами економічного зростання інформаційних та інноваційних технологій як чинника підвищення ефективності економіки та бізнесу в умовах глобалізації 4.0 та технологічної революції 4.0, тому що вони забезпечують швидке й ефективне протікання ідей, робочої сили і капіталу. Таланти тут отримують можливості бути спрямованими у корисне річище, а ринки можуть набувати більшої спеціалізації. Важливим аспектом, що забезпечує зростання інформаційних та інноваційних технологій як чинник підвищення ефективності економіки та бізнесу в умовах глобалізації 4.0 та технологічної революції 4.0, є економічний добробут глобальних міст, наявність інфраструктури й аналітичних програм, які надають змогу більш ефективно використовувати інформаційні та інноваційні технології. Дуже великі міста найкраще реалізують усі ці можливості й дедалі більшою мірою застосовують для цього великі дані.

2. Розвивати лін-вирбництво, вивчивши нові техніки в Японії на протигагу старому західному виробництву. Залучати уряди, які хочуть оживити свої автомобільні, а-то й інші галузі, та залучити інвестиції, щоб зробити це на найвищому рівні.

3. Залучати найдосвідченіших експертів, знайомих з кожним кроком інформаційної системи, які є прихильниками інформаціологічних методів, яким водночас буде комфортно серед хаосу, притаманного промисловій сфері, на відміну від університетської аудиторії.

4. Розвивати взаємодію демографічних, економічних і технологічних тенденцій з позицій майбутньої перспективи. Поєднання молодого населення, стрімкого економічного зростання та здатності швидко застосовувати новітні технології створює динамічне середовище для інвестицій у державному і приватному секторах. Центри інновацій і накопичення капіталу в індустріях майбутнього матимуть ширшу світову географію, ніж це було протягом останніх 20 років, коли над усіма домінувала Кремнієва долина. Застосування великих даних дасть можливість застосовувати аналітику великих даних, а використовуючи великі дані, можна буде створювати інноваційні компанії на місцях, і, як результат, відкривати нові перспективи розвитку для більшої кількості робочих місць у містах, ніж це було можливим дотепер. Майбутнє залежить від надання громадянам якнайширших повноважень і можливостей. Глобалізація 4.0 та технологічна революція 4.0 прискорюють всі ці процеси та вимагають їх невинного впровадження, що приведуть до змін сучасного світу.

Література:

1. Azhazha, M. A. (2007). Investment in education as a factor of intellectual progress // Social perspective and regional development. Zaporizhzhia: "KSK-Alliance". P. 37-40.
2. Al-Khalili, Jim (2017). What Next? Even scientists can't predict the future – or can they / London: Profile Books. 248 s.
3. Everett M., Rogers (2009). Diffusion of innovations. Lane. with the English. Basil: Stark Look. House "Kyiv-Mohyla Academy". 591 s.
4. Brinolfsson, E. and Makafi, E. (2016). Druha epokha mashyn: robota, prohres ta protsvitannia v chasy nadvychainykh sytuatsiy. Kyiv, 236 s.
5. Voronkova, Valentina, Maksimenyuk, Marina and Nikitenko, Vitalina (2016) Humanistic management in the context of phylosopic anthropology: human dimension. The new paradigm. Issue. 129. P. 64-76.

6. Voronkova, Valentina, Maksimenyuk, Marina and Nikitenko, Vitalina (2016). Humanistic Management in the Context of Philosophic Anthropology: Human Dimension / «Intellectual Archive», Ontario, Kanada. Vol. 5, No. 1. P. 37-38.
7. Christopher, S. (2018). Total automation. How computer algorithms change life. Kyiv: Our format, 280 s.
8. James, P., Womack, D., Jones, T. and Rus, D. (2017). The machine that changed the world." History of line production – ark weapons "Toyota" in automotive wars. Library Lin Institute. Kyiv: Pavlum, Lean Snicit Ukraine. 388 s.
9. Kyrychenko, M. (2017). Informatiology as a component of formation of ideology of information society. Humanities Bulletin of Zaporizhzhie State Engineering Academy, 69. P. 105-111.
10. Maksimenyuk, M. and Nikitenko, V. (2016). The formation of the paradigm of information-communicative society as a kind of complex social systems and interactions. Humanities Bulletin of Zaporizhzhie State Engineering Academy, 66. P. 266-278.
11. Melnyk, V. V. (2014). Hlobalizatsiia v kulturniy sferi: teoretyko-metodolohichniy analiz. Hileia. 86. P. 219-225.
12. Nikitenko, V. O. (2013). Modern geokultura as a geokulturnij phenomenon. Humanitarian Bulletin of Zaporizhzhia State Engineering Academy / M. of education and science of Ukraine, Zaporizhzhia State Engineering Academy. Zaporizhzhia. Issue 53. P. 261-270.

2.4. Digitalization – process of digital transformation of society

2.4. Диджиталізація як процес цифрової трансформації суспільства

Сучасне суспільство перебуває в стані трансформації, що заторкує всі сфери суспільного життя. На наших очах руйнуються старі кордони (політичні, економічні, соціальні, культурні, психологічні, адміністративні) і виникають нові політичні та соціальні структури, де складаються нові парадигми соціального буття. Нова соціальна реальність, що нині створюється, вимагає нових форм її усвідомлення, інтерпретації та розуміння.

На нинішньому етапі розвитку суспільства ми вже маємо можливість оцінити переваги й можливості, що подарували людству інноваційні технології, та констатувати, що й надалі без активного застосування новітніх досягнень інформатики, радіоелектроніки, зв'язку, обчислювальної й телекомунікаційної техніки ефективно керувати державою, її економікою буде неможливо. Тому розвиток інформаційного суспільства в Україні та впровадження інформаційно-комунікаційних технологій (далі ІКТ) в усі сфери суспільного життя є одним з пріоритетних напрямів державної політики¹⁶⁹.

Як відомо, цифрові технології відкривають унікальні можливості для розвитку вітчизняної економіки та підвищення якості життя громадян. Швидкі та глибинні наслідки від переходу на «цифру» будуть можливими лише тоді, коли «цифрова» трансформація стане основою життєдіяльності українського суспільства, бізнесу та державних установ, стане звичним та повсякденним явищем, стане нашим ДНК, нашою ключовою аджендою (порядком денним) на шляху до процвітання, стане основою добробуту України¹⁷⁰.

Забезпечення в сучасних умовах ефективності розвитку інформаційного суспільства не може бути досягнуто без упровадження «цифрових» технологій в усіх сферах буття. В Україні було багато спроб і реальних справ у сфері, пов'язаній з розвитком інформаційного суспільства, інформатизацією. Проте, оскільки все залежить від політичної волі державного рівня, ми, зрештою, взяли курс на розбудову цифрової економіки.

Термін «диджиталізація» походить від англійського «digitalization» і в перекладі означає «оцифровування», «цифровізація», або ж «приведення в цифрову форму». Водночас сьогодні вітчизняні науковці дедалі частіше послуговуються названим терміном, спираючись на вимоги практичної транскрипції, а тому широкого поширення набули терміни «диджиталізація», або ж «дигіталізація». Такий підхід має низку переваг, оскільки термін «дигіталізація», за слушним зауваженням К. Лапіної-Кратасюк, охоплює більш широкий спектр значень ніж його синонім «цифровізація». Це пов'язано з тим, що саме в європейській і американській дослідницьких традиціях наслідки переходу від аналогового до цифрового типу кодування інформації стали вивчатися не просто як технологічний, але й як соціальний, культурний та антропологічний процеси¹⁷¹.

Світові лідери «цифрового» ринку – Cisco, IBM, Intel, Oracle, Deloitte, SAP, Ericsson, MasterCard, Vodafone, Kyivstar, Lifecell, International Data Corporation, вітчизняні консультанти та експерти, підтримані Міністерством економічного розвитку та торгівлі та ГО «ХайТек

¹⁶⁹. Качний О. Законодавчі аспекти впровадження інформаційно-комунікаційних технологій – стратегічного напрямку оптимізації державного управління. Державне управління: удосконалення та розвиток: Електронне наукове фахове видання Дніпропетровського державного аграрно-економічного університету. 2015, № 5. [online]. [Cited 24. 06. 2019.] Available online: <http://www.dy.nayka.com.ua/?op=1&z=853>.

¹⁷⁰. Лопушинський І. П. "Цифрові робочі місця" державних службовців як вагома складова електронного урядування в Україні. Теорія та практика державного управління і місцевого самоврядування. 2018, № 1. [online]. [Cited 24. 06. 2019.] Available online: http://nbuv.gov.ua/UJRN/Ttpdu_2018_1_29.

¹⁷¹. Словарный запас: дигитализация. [online]. [Cited 24. 06. 2019.] Available online: <http://www.strelka.com/ru/magazine/2015/02/03/vocabulary-digitalisation>.

Офіс», розробили «Цифровий порядок денний України 2020»¹⁷², – документ, що визначає ключові політики, першочергові сфери, ініціативи та проекти «цифровізації» України впродовж 2018-2020 років.

«Цифровізацію» варто розглядати як інструмент, а не як самоціль. При системному державному підході «цифрові» технології будуть значно стимулювати розвиток відкритого інформаційного суспільства як одного з істотних чинників розвитку демократії в Україні, підвищення продуктивності, економічного зростання, створення робочих місць, а також підвищення якості життя громадян України.

«Цифровізація» України має потребувати нових форм солідарності, партнерства і співробітництва. На підставі проаналізованих документів щодо створення «цифрових» просторів в Європі та світі нижче сформульовано основні принципи «цифровізації» України.

До основних принципів політики «цифровізації» України, які визначаються для створення, реалізації та користування переваг, що надають «цифрові технології», належать:

Принцип № 1. «Цифровізація» України має забезпечувати кожному громадянину рівні можливості доступу до послуг, інформації та знань, що надаються на основі інформаційно-комунікаційних технологій. Реалізація цього принципу буде потребувати надзвичайних консолідаційних зусиль політиків, державної влади, бізнесу, громадськості. Усунення бар'єрів – основний фактор розширення доступу до глобального інформаційного середовища та знань. 2011 року вільний доступ до мережі Інтернет визнано ООН як фундаментальне право людини¹⁷³.

Принцип № 2. «Цифровізація» має бути спрямована на створення переваг (вигід) у різних аспектах повсякденного життя. Цифрові технології, прикладні застосування тощо є інструментами для досягнення цілей, які пов'язані з різними сферами життєдіяльності людини та країни: підвищенням якості охорони здоров'я, створенням нових робочих місць, розвитком підприємництва, сільського господарства, транспорту, захистом навколишнього середовища і керування природними ресурсами, підвищенням культури, сприянням подоланню бідності, запобіганню катастроф тощо.

Принцип № 3. «Цифровізація» – це механізм (платформа) економічного зростання завдяки приросту ефективності та збільшенню продуктивності від використання цифрових технологій. Такий приріст є можливим лише тоді, коли ідеї, дії, ініціативи та програми, що стосуються «цифровізації», будуть повністю інтегрованими в національні та регіональні стратегії і програми розвитку. Ключова мета цього принципу – досягти «цифрової» трансформації наявних галузей економіки, сфер діяльності, їх нової якості та властивостей. Один лише «клаптиковий» підхід до використання цифрових технологій як, скоріше, важливих компонентів системи, аніж її нової суті взагалі – не дозволить отримати суттєві переваги від цифрової економіки. Замість вибіркової «клаптикової» інформатизації, що лише поліпшує якості систем та сфер, Україна має рухатися до всеохопної «цифровізації», яка трансформує чинні системи та сфери в нову цінність.

Принцип № 4. «Цифровізація» України має сприяти розвитку інформаційного суспільства, засобів масової інформації, «креативного» середовища та «креативного» ринку тощо. При побудові відкритого інформаційного суспільства визначна роль відводиться створенню, поширенню та збереженню змістовної частини, тобто контенту різними мовами та в різних форматах із належним визнанням прав авторів. Створення контенту, насамперед українського, відповідно до національних або регіональних потреб, має сприяти

¹⁷². Цифрова адженда України – 2020. [online]. [Cited 24. 06. 2019.] Available online: <https://ucci.org.ua/uploads/files/58e78ee3c3922.pdf>.

¹⁷³. ООН визнала доступ до Інтернету базовим правом людини [online]. [Cited 24. 06. 2019.] Available online: <https://life.pravda.com.ua/society/2011/06/8/80042/>.

соціальному, культурному та економічному розвитку, зміцненню інформаційного суспільства. «Цифровізація» України повинна підтримати принципи свободи друку та свободи інформації, а також принципи незалежності, плюралізму та різноманіття засобів масової інформації, які потрібні для інформаційного суспільства. Свобода шукати, одержувати, передавати і використовувати інформацію для створення, нагромадження й поширення знань є ключовим чинником здорового розвитку інформаційного суспільства.

Принцип № 5. «Цифровізація» України має орієнтуватися на міжнародне, європейське та регіональне співробітництво з метою інтеграції України до Європейського Союзу, входу України в європейський і світовий ринок електронної комерції та послуг, банківської і біржової діяльності і т. д., співробітництво та взаємодію на регіональних ринках. Названий принцип є одним із найбільш пріоритетних завдань, що дозволяє забезпечити економічне зростання України. Саме «цифровізація» повинна допомогти Україні інтегруватися з європейськими та глобальними системами, оскільки саме глобалізація і є результатом поширення інформаційно-комунікаційних технологій.

Принцип № 6. Стандартизація – основа «цифровізації» України, один із ключових чинників її успішної реалізації. Стандарти посилюють конкуренцію, дозволяють знизити витрати і вартість продукції, гарантують сумісність, підтримку якості, збільшують ВВП країни. Розроблення і використання відкритих, функціонально сумісних недискримінаційних стандартів є базовим елементом розвитку та поширення цифрових технологій. Побудова цифрових систем, орієнтованих на бізнес і відкритий ринок, на «внутрішніх» стандартах неприпустима. Системи електронної комерції, біржових і фінансових ринків тощо мають дотримуватися міжнародних та європейських стандартів. Винятком із цього правила можуть бути затверджені національні програми у сфері оборони та безпеки, у яких застосування інших стандартів (національних, міждержавних) є аргументованим.

Принцип № 7. «Цифровізація» України має супроводжуватися підвищенням довіри і безпеки при використанні ІКТ. Зміцнення довіри, включаючи інформаційну безпеку, кібербезпеку, захист конфіденційності персональної інформації, недоторканності особистого життя та прав користувачів ІКТ, є передумовою одночасного розвитку та безпеки «цифровізації». Потреба сформувати, розвивати і впроваджувати національну культуру кібербезпеки є ключовою діяльністю на шляху боротьби України із кіберзлочинністю.

Принцип № 8. «Цифровізація» має стати об'єктом фокусного та комплексного державного управління. Державне управління та політикум мають відігравати провідну роль у розробленні, просуванні, впровадженні всеосяжних національних «цифрових» стратегій. Державне управління має зосередитися на знятті бар'єрів на шляху до «цифровізації» країни, корегуванні вад ринкових механізмів, підтримці добросовісної конкуренції, залученні інвестицій, розвитку «цифрової» інфраструктури та «цифрової» економіки з метою досягнення національних пріоритетів. Держава, активна щодо «цифровізації» країни, – це держава, яка починає «цифровізацію» з себе.

На беззаперечні переваги функціонування електронного урядування (e-gov) як сучасної форми державного управління, заснованої на застосуванні комп'ютерних та інших «цифрових» технологій, звертається увага в програмних документах, а також міжнародних актах¹⁷⁴.

¹⁷⁴. Лопушинський І. П. "Цифровізація" як основа державного управління на шляху трансформації та реформування українського суспільства. Теорія та практика державного управління і місцевого самоврядування. 2018, № 2. [online]. [Cited 24. 06. 2019.] Available online: http://nbuv.gov.ua/UJRN/Ttpdu_2018_2_20.

Так, у Рекомендаціях парламентських слухань на тему: «Реформи галузі інформаційно-комунікаційних технологій та розвиток інформаційного простору України»¹⁷⁵, що відбулися у Верховній Раді України 03 лютого 2016 року, зазначається: «На сучасному етапі переходу світового співтовариства до інформаційного суспільства ступінь розвитку інформаційного простору та інформаційних технологій стає безпосереднім чинником становлення активного та свідомого громадянина, національної конкурентоспроможності. Інформаційно-комунікаційні технології є одним з найбільш важливих чинників стимулювання економічного зростання та розвитку громадянського суспільства, зайнятості населення, розширення конкуренції і, як наслідок, сприяння подоланню «цифрового розриву».

Про переваги застосування ІКТ можемо прочитати й у низці міжнародних документів. Так, у Рекомендаціях Комітету Міністрів Ради Європи щодо електронного урядування вказується на суттєві переваги використання інформаційно-комп'ютерних технологій у сфері надання публічних послуг (електронних послуг), до яких віднесено: поліпшення загальної доступності, повноти та зручності користування публічними послугами; орієнтація публічних послуг передусім на потреби користувачів; забезпечення рівності в доступі громадян до участі в ухваленні публічно-владних рішень, що сприяє соціальній згуртованості населення¹⁷⁶.

Сінгапур, Велика Британія, Нова Зеландія, ОАЕ, Естонія, Японія, Ізраїль – країни-лідери з розвитку диджиталізації. Ці держави взяли курс на цифровий розвиток у сферах транспорту, освіти, електронних засобів і новітніх технологій. По всьому світові частка традиційних поглядів зменшується, а цифрової – збільшується, надаючи величезні переваги для країн та бізнесу.

Світовий Давоський економічний форум в аналітичних матеріалах визначає перелік цифрових технологій, до яких належать хмарні та мобільні технології, блокчейн, технології віртуалізації, ідентифікації, штучного інтелекту, біометричні технології, технології доповненої реальності, адитивні (3D-друк) тощо. Звісно, фундаментальна та прикладна наука, підприємці-інноватори, стартап-спільнота більше фокусуються на створенні технологій та продуктів, однак використання технологій бізнесом, індустріями, інфраструктурами, державою, громадянами – саме тут «живе» цифрова економіка та її безпосередні користувачі¹⁷⁷.

У багатьох країнах цифровізація є сферою активної політики саме держави: через стимулювання бізнесу та громадян до цифровізації, побудови національних цифрових інфраструктур, залучення приватних інвесторів до створення цифрових платформ – від електронних розрахунків до освітянських, медичних, логістичних, промислових тощо.

Перша річ, яка важлива для всіх, – це цифрові інфраструктури. На цьому ринку в Україні працюють приватні компанії. Деякі сегменти цифрових інфраструктур інтенсивно розвиваються, як то мобільний інтернет (3-4-5G). Однак інфраструктура фіксованого широкосмугового інтернету в Україні розвивається не досить добре, оскільки існує великий цифровий розрив між містом і селом, а багато українських сіл взагалі не підключено до широкосмугових інтернет-каналів, тобто велика кількість громадян на селі фактично дискримінована у своїх можливостях.

¹⁷⁵. Про Рекомендації парламентських слухань на тему: «Реформи галузі інформаційно-комунікаційних технологій та розвиток інформаційного простору України»: постанова Верховної ради України від 31 березня 2016 року № 1073-VIII. [online]. [Cited 24. 06. 2019] Available online: <http://zakon3.rada.gov.ua/laws/show/1073-19>.

¹⁷⁶. Electronic governance (“e-governance”): Recommendation Rec (2004) 15 adopted by the Committee of Ministers of the Council of Europe on 15 December 2004 and explanatory memorandum. [online]. [Cited 24. 06. 2019.] Available online: [https://www.coe.int/t/dgap/democracy/Activities/GGIS/E-governance/Key_documents/Rec\(04\)15_en.pdf](https://www.coe.int/t/dgap/democracy/Activities/GGIS/E-governance/Key_documents/Rec(04)15_en.pdf).

¹⁷⁷ «Диджиталізація – це лише початок». [online]. [Cited 24. 06. 2019.] Available online: <https://day.kyiv.ua/uk/article/ekonomika/didzhytalizaciya-ce-lyshe-pochatok>.

По-друге, з погляду правового забезпечення, законодавчих та нормативно-правових документів сфера «цифровізації» України потребує суттєвого аудиту, структуризації, доопрацювання відповідно до існуючих потреб, сучасних викликів та завдань. Так, Закон України «Про основні засади розвитку інформаційного суспільства в Україні на 2007-2015 роки» втратив свою часову та суттєву актуальність.

Водночас, за останні три роки було розроблено вже біля десятка нормативно-правових актів, що тією чи іншою мірою стосуються сфери ІКТ та «цифровізації», таких, наприклад, як Закон України від 05. 10. 2017 № 2155-VIII «Про електронні довірчі послуги», постанова Кабінету Міністрів України від 07. 11. 2018 № 992 «Про затвердження вимог у сфері електронних довірчих послуг та Порядку перевірки дотримання вимог законодавства у сфері електронних довірчих послуг», постанова Кабінету Міністрів України від 19. 09. 2018 № 749 «Про затвердження Порядку використання електронних довірчих послуг в органах державної влади, органах місцевого самоврядування, підприємствах, установах та організаціях державної форми власності», розпорядження Кабінету Міністрів України від 12. 06. 2019 № 405-р. «Про затвердження плану заходів щодо реалізації Концепції розвитку електронної демократії в Україні на 2019-2020 роки». Ці нормативно-правові акти впорядковують різні сфери життєдіяльності суспільства – від використання довірчих послуг (дальший розвиток електронного цифрового підпису) до підвищення відкритості органів публічної влади щодо своєї діяльності та запровадження інструментів електронної демократії в українське суспільство.

Діяльність Комітету Верховної Ради з питань інформатизації та зв'язку, численних експертних та громадських об'єднань, наявний світовий досвід «цифровізації», та головне – життєва потреба впровадження в Україні змін, реформ та трансформацій на основі «цифри» – дозволяють говорити про можливість розроблення та формування комплексного нормативно-правового підходу до сфери «цифровізації» – «Цифрового» кодексу України.

21 червня 2019 року під час виступу у Верховній Раді Перший віце-прем'єр-міністр – Міністр економічного розвитку і торгівлі України Степан Кубів поінформував присутніх про те, як забезпечити ефективний розвиток цифрової економіки, інновацій та інтелектуальної власності. Він також наголосив на потребі оптимізувати роботу комітетів Верховної Ради України та створити ефективний комітет з цифрової економіки. Перший віце-прем'єр-міністр також наголосив, що розвиток цифрових державних сервісів сьогодні є серед головних пріоритетів роботи Уряду¹⁷⁸.

Наразі в Україні зосередилися на цифрових інфраструктурах – широкопasmовий доступ, подолання цифрового розриву, інфраструктура інтернету речей, опрацювання стимулів для цифровізації реального сектору та ще кілька напрямків. На черзі також одна із м'яких інфраструктур, а саме електронна взаємодія між суб'єктами бізнесу та онлайн-розрахунки. Перша особливо важлива. Українські компанії продуктивно використовують цифрові технології в корпоративній діяльності, проте коли виходять у міжкорпоративну взаємодію, то повертаються до паперового документообігу, паперових контрактів, паперових рахунків та паперових актів, накладних тощо. Цифровізація важлива і тут, у середовищі взаємодії бізнесу з бізнесом (B2B). ЄС підрахував, що перехід лише на електронні рахунки та контракти між бізнесом привнесе компаніям додатково до 400 млрд євро доходу. Адже «цифри» бігають швидше, ніж папери. Не кажучи вже про електронні розрахунки й так звану безготівкову економіку. Таким чином, компанії підвищують за рахунок власної цифровізації швидкість ухвалення рішень та їх ефективність. Тому цифрова економіка фокусується не тільки на

¹⁷⁸. Степан Кубів: В Україні треба створити Міністерство цифрової економіки. [online]. [Cited 24. 06. 2019.] Available online: <https://www.kmu.gov.ua/ua/news/stepan-kubiv-v-ukrayini-treba-stvoriti-ministerstvo-cifrovoyi-ekonomiki>.

цифровізації об'єктів, а ще й на міжоб'єктному середовищі. А це вже питання наявності відповідних цифрових платформ, залучення відповідних інвестицій на їх створення, наявність відповідних стимулів користуватися ними тощо.

Лідери цифрового менеджменту при плануванні диджитал-трансформації радять врахувати такі основні моменти¹⁷⁹:

1. *Зовнішнє середовище.* Диджиталізація вимагає об'єктивності розуміння середовища, у якому функціонує суспільство, оскільки прогресування цифровізації ніколи не компенсує відсутності таких активів, як довіра; значуща ціль; місія – саме те, що віднаходить широкий відгук серед громадськості.

2. *Організація.* Можливо, доведеться переформулювати зміст цілих галузей. Потрібно чітко визначити зміст понять, пов'язаних із диджитал-сферою. Цифрова перевага криється у створенні стратегії та структури, які б якнайкраще відповідали особливостям сьогодення. Розпочати можна з розроблення словника, який би включав тлумачення, пов'язані із цифровізацією ключових слів, термінів та понять. Кожен пересічний громадянин повинен розуміти зміст диджиталізації та долучитися до цього процесу. Успіх ініціативи значною мірою залежить від співпраці всіх організаційних рівнів всіх сфер життєдіяльності. Опорою диджиталізації має стати корпоративна культура, оскільки «цифрова революція» за своєю сутністю носить більшою мірою культурний, а не лише технологічний характер. Як і будь-яка інша масштабна культурна зміна, диджиталізація може втілитись у реальність лише за умови, що її «осердям» стануть топ-менеджери всіх рівнів, як державних так і бізнесу. Щоб диджитал-трансформація принесла бажані результати, потрібна добре налагоджена взаємодія акціонерів, членів рад директорів, керівників вищих рівнів, менеджерів та пересічних працівників. Крім того, важливо активніше взаємодіяти з громадськістю.

3. *Стратегія.* Стратегічний процес стає неперервним. Давно минули часи, коли організаційні структури могли мислити категоріями п'ятирічних стратегічних планів. Сьогодні, коли основні державні та бізнес-тренди постійно змінюються, формулювання та реалізація стратегії має відбуватися паралельно – в ідеалі як безупинний цикл, що базується на «петлі» зворотного зв'язку. Усе більшою мірою основним рушієм процесу ухвалення рішень стають дані. Особливо зараз, коли є величезна кількість прогнозних та аналітичних інструментів, вибори типу «або...або». Диджиталізація спонукає суспільство освоювати «невідомі території». Планування трансформації, що спричинить «підрив» старих парадигм мислення, вимагає вивчення новаторських моделей та пошуку нових джерел генерування надходжень. Диджиталізацію пропонується розглядати як інструмент, що, при системному державному підході, буде значно стимулювати розвиток відкритого інформаційного суспільства. Це повинно стати одним з істотних чинників розвитку демократії в Україні, підвищення продуктивності, економічного зростання, створення робочих місць, а також підвищення якості життя громадян України.

Отже, можна зробити висновок, що трансформація сучасного суспільства неможлива без, і, у той же час, спричинена інформаційними технологіями. Цифровізація корпоративних відносин у бізнесі, запровадження інструментів електронного урядування в діяльність органів публічної влади, перехід до електронної демократії забезпечать умови для зберігання, збереження, поширення і комплексного використання всіх видів інформаційних ресурсів, вільний доступ до них усіх зацікавлених сторін. Це, своєю чергою, призведе до зміни всієї парадигми розвитку суспільства – від використання інструментів інформаційних технологій в межах управління певними сферами до повної диджиталізації державно-управлінських та суспільних відносин.

¹⁷⁹. Диджиталізація: одинадцять порад для лідерів. [online]. [Cited 24. 06. 2019.] Available online: <http://www.management.com.ua/tend/tend922.html>.

Література:

1. Качний О. Законодавчі аспекти впровадження інформаційно-комунікаційних технологій – стратегічного напрямку оптимізації державного управління. Державне управління: удосконалення та розвиток: Електронне наукове фахове видання Дніпропетровського державного аграрно-економічного університету. 2015, № 5. [online]. [Cited 24. 06. 2019.] Available online: <http://www.dy.nauka.com.ua/?op=1&z=853>.
2. Лопушинський І. П. "Цифрові робочі місця" державних службовців як вагома складова електронного урядування в Україні. Теорія та практика державного управління і місцевого самоврядування. 2018, № 1. [online]. [Cited 24. 06. 2019.] Available online: http://nbuv.gov.ua/UJRN/Ttpdu_2018_1_29.
3. Словарный запас: дигитализация. [online]. [Cited 24. 06. 2019.] Available online: <http://www.strelka.com/ru/magazine/2015/02/03/vocabulary-digitalisation>.
4. Цифрова адженда України – 2020. [online]. [Cited 24. 06. 2019.] Available online: <https://ucci.org.ua/uploads/files/58e78ee3c3922.pdf>.
5. ООН визнала доступ до Інтернету базовим правом людини. [online]. [Cited 24. 06. 2019.] Available online: <https://life.pravda.com.ua/society/2011/06/8/80042/>.
6. Лопушинський І. П. "Цифровізація" як основа державного управління на шляху трансформації та реформування українського суспільства. Теорія та практика державного управління і місцевого самоврядування. 2018, № 2. [online]. [Cited 24. 06. 2019.] Available online: http://nbuv.gov.ua/UJRN/Ttpdu_2018_2_20.
7. Про Рекомендації парламентських слухань на тему: «Реформи галузі інформаційно-комунікаційних технологій та розвиток інформаційного простору України»: постанова Верховної ради України від 31 березня 2016 року № 1073-VIII. [online]. [Cited 24. 06. 2019.] Available online: <http://zakon3.rada.gov.ua/laws/show/1073-19>.
8. Electronic governance ("e-governance"): Recommendation Rec (2004) 15 adopted by the Committee of Ministers of the Council of Europe on 15 December 2004 and explanatory memorandum. [online]. [Cited 24. 06. 2019.] Available online: [https://www.coe.int/t/dgap/democracy/Activities/GGIS/E-governance/Key_documents/Rec\(04\)15_en.pdf](https://www.coe.int/t/dgap/democracy/Activities/GGIS/E-governance/Key_documents/Rec(04)15_en.pdf).
9. «Диджиталізація – це лише початок». [online]. [Cited 24. 06. 2019.] Available online: <https://day.kyiv.ua/uk/article/ekonomika/didzhytalizaciya-ce-lyshe-pochatok>.
10. Степан Кубів: В Україні треба створити Міністерство цифрової економіки. [online]. [Cited 24. 06. 2019.] Available online: <https://www.kmu.gov.ua/ua/news/stepan-kubiv-v-ukrayini-treba-stvoriti-ministerstvo-cifrovoyi-ekonomiki>.
11. Диджиталізація: одинадцять порад для лідерів. [online]. [Cited 24. 06. 2019.] Available online: <http://www.management.com.ua/tend/tend922.html>.

2.5. Information and educational environment of the technical university

2.5. Інформаційно-освітнє середовище технічного університету

Актуальність досліджень в області формування інформаційно-освітнього середовища ЗВО обумовлена тим, що на сучасному рівні розвитку вищої школи неможливо підготувати висококваліфікованого фахівця без використання засобів інформаційно-комунікаційних технологій, які дозволяють забезпечити ефективну комунікацію між студентом, викладачем і ЗВО. Комплекс необхідних ІКТ може варіюватися від поставлених цілей підготовки майбутніх фахівців і загального розуміння керівництва інформаційних потреб ЗВО. Серед сучасних ІКТ, на базі яких можна організувати інформаційно-освітнє середовище ЗВО виділимо: система управління навчанням MOODLE; технології доповненої реальності – Vuforia, ARToolKit, Kudan. В рамках інформатизації системи освіти виникає не тільки необхідність у використанні коштів сучасних інформаційно-комунікаційних технологій, а й в проектуванні, розробці та створенні інтерактивних освітніх ресурсів.

Різні аспекти використання систем управління контентом в освітньому середовищі були розглянуті в роботах багатьох авторів. Можливості використання CMS при створенні освітніх ресурсів були представлені в роботі О. Гаспарян. Ю. Триус детально описав систему електронного навчання ЗВО на базі використання системи управління навчальним процесом Moodle. Предметом дослідження групи авторів (О. Фещенко, В.Бахарєва, У. Захарова, В. Сербін) були технології віртуальної і доповненої реальності в освітній Середі ЗВО. У роботі Б. Яковлева, С. Пустового дана класифікація і описані перспективні напрямки використання технологій доповненої реальності.

Мета: визначити зміст і структуру інформаційно-освітнього середовища технічного університету.

Останнім часом значення інформаційно-освітнього середовища університету на освітній процес і його результати значно зросла. Це стало наслідком як зовнішніх соціально-економічних, так і внутрішніх умов освітньої галузі. Основною метою інформаційно-освітнього середовища середовища університету є забезпечення відповідності системи освіти нового інформаційного суспільства.

Повсюдне впровадження інформаційних процесів в усі сфери життєдіяльності вимагає розробки нової моделі сучасної системи освіти, на основі використання нових інформаційних технологій. Сучасний стан освіти разом з тенденціями розвитку суспільства вимагають нових підходів до розвитку освітнього середовища. Однією з пріоритетних завдань модернізації російської освіти є інформатизація освіти, головна умова якої – створення єдиної інформаційно-освітнього середовища. Розвиток системи освіти висуває нові вимоги до якості підготовки майбутніх фахівців. Від сучасного ЗВО потрібно впровадження нових підходів до навчання, які забезпечать поряд з його фундаментальністю і дотриманням вимог Державних освітніх стандартів розвиток комунікативних, творчих і професійних компетенцій, потреб в самоосвіті на основі потенційної багатоваріантності змісту та організації освітнього процесу.

Повсюдне впровадження інформаційно-комунікаційних технологій в навчальний процес і розвиток глобальної мережі Internet відкривають нові перспективи вдосконалення, як світової, так і державної освітньої системи. Це відбивається, як на технічній оснащеності ЗВО, їх доступі до світових ресурсів, так і на використанні нових видів, методів і форм навчання, які орієнтовані на активну пізнавальну діяльність студента. Намітилися позитивні тенденції на інтеграцію засобів ІКТ в навчальний процес. З'явилося нове поняття «Інтернет-навчання» (e-learning), багатьма ЗВО створюються свої освітні портали. Та все це дозволяє говорити про формування інформаційно-освітнього середовища ЗВО.

ІОС в різних джерелах розуміється по різному¹⁸⁰:

- система комп'ютерних обчислювальних мереж і спеціалізованих засобів телекомунікацій, засобів дистанційного навчання, довідкових матеріалів, словників, додаткової літератури, всіх супутніх навчального процесу матеріалів, які необхідні для отримання якісної освіти за спеціальностями або програмами, а також спеціалізовані засоби їх розробки, зберігання, передачі та доступу до них¹⁸¹.

- система підвищення ефективності та доступності освітнього процесу підготовки фахівців¹⁸².

- система інструментальних засобів і ресурсів, які забезпечують умови для реалізації освітньої діяльності на основі використання засобів ІКТ¹⁸³;

- педагогічна структура, метою якої є створення необхідних умов, які дозволяють забезпечити організацію та подальший розвиток інноваційних процесів взаємодії взаємодіючих об'єктів і активних суб'єктів освітнього середовища¹⁸⁴;

- багатоаспектна цілісна, соціально-психологічна реальність, яка дозволяє забезпечити сукупність психолого-педагогічних умов, сучасних технологій навчання і програмно-методичних засобів навчання, які побудовані на базі використання ІКТ, що надають необхідне забезпечення пізнавальної діяльності та доступу до освітніх ресурсів¹⁸⁵.

Всі ці визначення в тій чи іншій мірі містять у собі програмно-технічні та психолого-педагогічні умови та спеціалізовані засоби, які дозволяють забезпечити ефективне супровід освітнього процесу ЗВО. З урахуванням специфіки часу сьогодні ІОС ЗВО повинна дозволяти реалізовувати концептуальні підходи державних освітніх стандартів вищої професійної освіти.

Організація інформаційно-освітнього середовища технічного вузу нерозривно пов'язана з положеннями Болонського процесу. Так, одним з основних завдань Болонського процесу є безпосереднє сприяння мобільності студентів, викладачів, науковців та адміністративно-управлінського персоналу. Мобільність є ключовою складовою існування і стрімкого розвитку європейського простору вищої освіти (ЄВПО). Мобільність студентів реалізується через можливість часткового навчання в європейських вузах-партнерах з подальшим визнанням як часу навчання в зарубіжному вузі, так і отриманих там перекладних залікових одиниць (ECTS). Також, мобільність студентів передбачає доступ до відповідних послуг в приймаючому ЗВО. У цьому контексті особливу увагу відводиться віртуальній мобільності на базі єдиної ІОС як альтернатива фізичної мобільності.

Отже, ІОС технічного ЗВО є невід'ємною складовою сучасного освітнього середовища технічного вузу, яка забезпечується засобами ІКТ.

Формування ІОС технічного ЗВО може бути успішним лише за активної участі в цьому процесі викладачів: перед професорсько-викладацьким складом ЗВО ставляться завдання

¹⁸⁰ Токтарова Вера Ивановна, Коробейникова Александра Андреевна Проектирование и реализация педагогических сценариев обучения в условиях информационно-образовательной среды вуза // Вестник ЧГПУ. 2014. № 7. URL: <https://cyberleninka.ru/article/n/proektirovanie-i-realizatsiya-pedagogicheskikh-stsenariev-obucheniya-v-usloviyah-informatsionno-obrazovatelnoy-sredy-vuza> (дата обращения: 19. 08. 2019).

¹⁸¹ Белицин, И. В. Лекционный мультимедийный комплекс как средство активизации учебно-познавательной деятельности учащихся [Текст]: автореф. дис. ... канд. пед наук / И. В. Белицин. - Барнаул, 2003. – 22 с.

¹⁸² Захарова И. Г. Формирование информационной образовательной среды высшего учебного заведения [Текст]: автореф. дис. ... д-ра пед. наук / И. Г. Захарова. –Тюмень, 2003. – 46 с.

¹⁸³ Информационно-коммуникационные технологии в образовании. Электронные образовательные ресурсы [Текст]. – Москва: Стандартинформ, 2011. – 12 с.

¹⁸⁴ Красильникова, В. А. Методология создания единой информационно-образовательной среды университетского округа [Текст] / В. А. Красильникова // Вестник ОГУ № 2. – 2002. – С. 105-110.

¹⁸⁵ Лебедева, М. Б. Дистанционные образовательные технологии: проектирование и реализация учебных курсов [Текст] / Лебедева М. Б. – СПб.: БХВ-Петербург, 2010. – 336 с.

безпосередньої модернізації методики навчання і розробки підручників нового типу, які дозволили б врахувати безпосереднє використання їх в спільному режимі з електронними навчально-методичними матеріалами. Використання ІКТ для підготовки і проведення лекцій, семінарських та лабораторних занять, контролюючих матеріалів вимагає специфічних умінь по роботі з навчальними системами для конструювання прикладних програм навчального призначення, конструкторами введення тестів та ін.

Так, групою авторів (М. Груздева, Л. Бахтиярова) в процесі роботи над педагогічними прийомами і методами роботи викладачів ЗВО в умовах ІОС було встановлено, що важливою ознакою кваліфікації викладача є освоєння їм сукупності педагогічних прийомів і методів, які він може використовувати в навчальному процесі. Якщо класифікувати методи роботи в ІОС за таким критерієм, як спосіб комунікації викладача і учнів, то їх можна розділити на кілька груп¹⁸⁶.

До першої групи були віднесені методи індивідуального навчання, для яких комунікативне спілкування викладачів і студентів є характерним стосунками «один викладач – один студент». Такого роду методи використовуються для обміну файлами, які містять результати освітньої діяльності (наприклад, вирішені завдань) так і взаємодію «питання-відповідь». Застосування цих методів в ІОС виконується на базі практичного використання електронної пошти, блогу викладача, Skype, ISQ та інших.

До другої групи належать методи, в основі яких лежить принцип взаємодії «один – до багатьох». Ці методи, властиві і традиційній освітній системі, в умовах інформаційного освітнього середовища отримують новий розвиток: це електронні лекції, навчальні електронні симпозиуми та інше. У внутрішній мережі багатьох вузів, а також часто у відкритому доступі на сайтах вузів, розміщені лекції, виступи, навчальні матеріали найбільш авторитетних вчених. Потрібно відзначити, що в останні роки відсоток викладачів, які розміщують свої навчальні матеріали у відкритому доступі, зріс.

Третя група методів – це методи, в основі яких лежить активна взаємодія між усіма учасниками навчального процесу (взаємодія «багато до багатьох»). Саме ці методи, орієнтовані на групову роботу студентів, надають найбільший інтерес для навчання в умовах інформаційного освітнього середовища. Це метод проектів, який дозволяє тому, якого навчають проявити самостійність в організації своєї навчально-пізнавальної діяльності, в результаті якої обов'язково повинен бути створений який-небудь продукт. Це методи проблемного навчання, засновані на розгляді складних пізнавальних завдань, вирішення яких представляє істотний практичний або теоретичний інтерес. Це дослідницький метод, для якого характерна наявність чітко поставлених актуальних і значущих для учасників цілей, продуманої й обґрунтованої структури, використання арсеналу методів наукового дослідження.

При використанні цієї групи методів роль викладача зводиться до координації дій студентів для вирішення чітко поставленої перед ними навчального завдання. Зрозуміло, що викладачеві необхідно створити і підтримувати сприятливе середовище для робочого співпраці учасників цього процесу. При цьому сам викладач направляє і займається роботою, розробляючи план роботи і навчальні матеріали, керуючи ходом дискусій за допомогою засобів ІКТ.

Таким чином, побудова єдиного інформаційного простору в освіті дозволить домогтися:

¹⁸⁶ Груздева Марина Леонидовна, Бахтиярова Людмила Николаевна Педагогические приемы и методы работы преподавателей вуза в условиях информационной образовательной среды // Теория и практика общественного развития. 2014. № 1. URL: <https://cyberleninka.ru/article/n/pedagogicheskie-priemy-i-metody-raboty-prepodavateley-vuza-v-usloviyah-informatsionnoy-obrazovatelnoy-sredy> (дата обращения: 19. 01. 2019).

- підвищення ефективності та якості процесу навчання;
- інтенсифікації процесу наукових досліджень в освітніх установах;
- скорочення часу і поліпшення умов для додаткової освіти і освіти дорослих;
- підвищення оперативності та ефективності управління окремими освітніми установами і системою освіти в цілому;
- дотримання принципу соціальної спрямованості Болонського процесу, так як значно знизить супутні побутові витрати навчаються;
- інтеграції національних інформаційних освітніх систем в світову мережу.

Система управління контентом являє собою інформаційну систему, яка використовується для забезпечення і організації спільного процесу створення, редагування і управління контентом web-сайту.

Серед основних функцій системи управління контентом можна виділити наступні: надання спеціалізованих інструментів для створення контенту, організація спільної роботи над контентом; зберігання, контроль версій, дотримання режиму доступу, управління контентом; публікація контенту; подання інформації у вигляді, зручному для навігації, пошуку в глобальній мережі Internet.

Система Moodle повсюдно впроваджується в інформаційно-освітнє середовище освітніх установ і є предметом великої кількості дослідників і вчених.

Так, у методичному Посібнику Ю. Триуса детально описана система електронного навчання ЗВО на базі використання системи управління учбовим контентом Moodle. Предложено оригінальну структуру електронного навчального курсу, описано процес його створення з допомогою використання шаблонів і роботу з формування електронного журналу курсу з заданими властивостями. Розглянуто спеціалізовані засоби створення тестових завдань і тестів у системі Moodle, а також організацію автоматизованого контролю і оцінювання Навчальних досягнень студентів у системі електронного навчання¹⁸⁷.

На підтвердження доцільності впровадження системи Moodle О. Спіріним, О. Колос були отримані результати проведеного експерименту вказують на ефективність впровадження розробленої методики використання системи Moodle в розвитку предметних компетентностей учителів інформатики в дистанційному післядипломній освіті¹⁸⁸.

З упевненістю можна сказати, що використання можливостей систем управління контентом для створення інформаційно-освітніх ресурсів ЗВО є виправданим і необхідним умовою проходження сучасним тенденціям інформатизації інформаційно-освітнього середовища. Що підтверджують відомості, представлені в роботах сучасних дослідників. Наявний функціонал і інструментарій систем управління контентом дозволяє в повній мірі реалізувати всі необхідні потреби в поданні освітнього контенту і організації подальшого контролю успішності навчання. У той же час, дане дослідження не можна вважати завершеним, в зв'язку з складністю досліджуваної теми; ще необхідно проаналізувати безліч інших систем управління контентом і визначити найбільш підходящу для створення інформаційно-освітніх ресурсів ЗВО.

Особливість організації інформаційно-освітнього середовища технічного ЗВО в тому, що для створення повноцінної ІОС ЗВО необхідний більший набір складових компонентів, які не тільки відповідають за загальне функціонування середовища ЗВО, а й елементи ІКТ інтегровані в процес викладання дисциплін професійної спрямованості. Прикладом

¹⁸⁷ Система електронного навчання ВНЗ на базі MOODLE: Методичний посібник / Ю. В. Триус, І. В. Герасименко, В. М. Франчук // За ред. Ю. В. Триуса. – Черкаси. – 220 с.

¹⁸⁸ Колос К. Р., Спірін О. М. Педагогічний експеримент з розвитку предметних компетентностей учителів інформатики засобами дистанційного навчання [Електронний ресурс] / К. Р. Колос, О. М. Спірін // Інформаційні технології і засоби навчання. – 2011 р. – Том 25, № 5. – Режим доступу: <http://journal.iitta.gov.ua/index.php/itlt/article/view/555/446>.

застосовуваної технології є технології доповненої реальності, зокрема, бібліотеки Vuforia; ARToolKit; Kudan.

Доповнена реальність (англ. Augmented Reality, AR) – термін, що виник в сфері ІТ, який спочатку використовувався для позначення технології накладення віртуальної інформації на реальний навколишній світ¹⁸⁹.

Необхідно відзначити що, сьогодні у вітчизняному педагогічному дискурсі проблематика використання доповненої реальності практично не представлена, що, також обумовлює актуальність нашого звернення до неї. При цьому необхідно відзначити, що в даній проблематиці можна виділити два аспекти. По-перше, застосування різних технологій доповненої реальності в освітньому процесі. По-друге, осмислення евристичного потенціалу концепції доповненої реальності.

Автором виділено такі типи навчальних програм доповненої реальності: книги з технологією доповненої реальності, що утворюють своєрідний міст між цифровим і фізичним світом; гри; навчальні програми; моделювання об'єктів; додатки для тренування навичок.

В даний час є велика кількість бібліотек, які призначені для створення прикладних програмних додатків доповненої реальності, серед яких можна виділити: Vuforia; ARToolKit; Kudan.

Vuforia представляє собою платформу доповненої реальності і спеціалізований інструментарій розробника прикладного програмного забезпечення доповненої реальності (Software Development Kit – SDK) для мобільних пристроїв, які розроблені компанією Qualcomm. Vuforia використовує технології комп'ютерного зору, а також технології простих об'ємних реальних об'єктів і можливості відстеження плоских зображень в реальному часі.

ARToolKit – це бібліотека відстеження комп'ютерів з відкритим вихідним кодом для створення потужних додатків доповненої реальності, які накладають віртуальні образи в реальному світі. ARToolKit використовується для вирішення двох ключових проблем в розширеній реальності; відстеження точок огляду і взаємодія віртуальних об'єктів.

Kudan розрахований на високу продуктивність, забезпечує ефективні обчислення, а також дозволяє отримати точні і надійні результати. Існує безліч будівельних блоків для системи Kudan, основна база коду може орієнтуватися на більшість архітектур процесорів, і немає ніякої залежності від наявності функціональності операційної системи.

Перераховані бібліотеки доповненої реальності надають широкий спектр можливостей розробнику – від підтримки різних операційних систем до розгорнутого набору інструментів по розпізнаванню і відстеженню об'єктів.

Як переваги використання технологій доповненої реальності можна назвати: інтерактивність; простоту використання; можливість включення в великий інформаційний контекст; використання ефекту подиву студента.

Таким чином, сьогодні не спостерігається цілеспрямованого впровадження технологій доповненої реальності в навчальний процес, а кількість подібних прикладних програмних рішень вкрай мало. Проте, багато фахівців в області інформаційних технологій сходяться на думці, що майбутнє доповненої реальності в різних областях людської життєдіяльності має досить великі перспективи, а технології доповненої реальності в освіті рано чи пізно виведуть систему освіти на якісно новий рівень.

Підводячи загальний підсумок роботи, зробимо наступний висновок про те, що інформаційно-освітнє середовище технічного ЗВО дозволяє перевести навчальний процес на якісно новий рівень, інтенсифікувати процес наукових досліджень, інтегрувати, як студента, так і викладача в єдиний інформаційний простір. Інформаційно-освітнє середовище ЗВО

¹⁸⁹ Havens J. The Impending Social Consequences of Augmented Reality [Electronic resource] / John Havens // Mashable. – 2013. – Mode of access: <http://mashable.com/2013/02/08/augmented-reality-future/>.

може бути організована на базі системи управління навчанням Moodle, що надає всім учасникам навчального процесу взаємодіяти між собою і вести облік навчальної діяльності. Також, необхідно відзначити, що в технічному ЗВО використовується маса прикладного програмного забезпечення, яке є невід'ємною складовою інформаційно-освітнього середовища ЗВО, це технології доповненої реальності. Використання технологій доповненої реальності дозволяє не тільки навчати студентів на високому рівні, а й відображати результати навчальної діяльності в системі управління навчанням Moodle. Важливим є колосальні можливості подальшого зростання інформаційно-освітнього середовища технічного ЗВО за рахунок інтеграції нових технологій і підходів використання.

Література:

1. Белицин, И. В. Лекционный мультимедийный комплекс как средство активизации учебно-познавательной деятельности учащихся [Текст]: автореф. дис. ... канд. пед наук / И. В. Белицин. – Барнаул, 2003. – 22 с.
2. Захарова И. Г. Формирование информационной образовательной среды высшего учебного заведения [Текст]: автореф. дис. ... д-ра пед. наук / И. Г. Захарова. – Тюмень, 2003. – 46 с.
3. Груздева Марина Леонидовна, Бахтиярова Людмила Николаевна Педагогические приемы и методы работы преподавателей вуза в условиях информационной образовательной среды // Теория и практика общественного развития. 2014. № 1. URL: <https://cyberleninka.ru/article/n/pedagogicheskie-priemy-i-metody-raboty-prepodavateley-vuza-v-usloviyah-informatsionnoy-obrazovatelnoy-sredy> (дата обращения: 19. 01. 2019).
4. Информационно-коммуникационные технологии в образовании. Электронные образовательные ресурсы [Текст]. – Москва: Стандинформ, 2011. – 12 с.
5. Красильникова, В. А. Методология создания единой информационно-образовательной среды университетского округа [Текст] / В. А. Красильникова // Вестник ОГУ № 2. – 2002. – С. 105-110.
6. Колос К. Р., Спірін О. М. Педагогічний експеримент з розвитку предметних компетентностей учителів інформатики засобами дистанційного навчання [Електронний ресурс] / К. Р. Колос, О. М. Спірін // Інформаційні технології і засоби навчання. – 2011 р. – Том 25, № 5. – Режим доступу: <http://journal.iitta.gov.ua/index.php/itlt/article/view/555/446>.
7. Лебедева, М. Б. Дистанционные образовательные технологии: проектирование и реализация учебных курсов [Текст] / Лебедева М. Б. – СПб.: БХВ-Петербург, 2010. – 336 с.
8. Система електронного навчання ВНЗ на базі MOODLE: Методичний посібник / Ю. В. Триус, І. В. Герасименко, В. М. Франчук // За ред. Ю. В. Триуса. – Черкаси. – 220 с.
9. Токтарова Вера Ивановна, Коробейникова Александра Андреевна Проектирование и реализация педагогических сценариев обучения в условиях информационно-образовательной среды вуза // Вестник ЧГПУ. 2014. № 7. URL: <https://cyberleninka.ru/article/n/proektirovanie-i-realizatsiya-pedagogicheskikh-stsenarijev-obucheniya-v-usloviyah-informatsionno-obrazovatelnoy-sredy-vuza> (дата обращения: 19. 08. 2019).
10. Havens J. The Impending Social Consequences of Augmented Reality [Electronic resource] / John Havens // Mashable. – 2013. – Mode of access: <http://mashable.com/2013/02/08/augmented-reality-future/>.

2.6. The newest information technologies as a factor of development of the technology of the world

2.6. Новітні інформаційні технології як чинник розвитку технологічного світу

Актуальність теми дослідження в тому, що сьогодні розвиваються новітні технології, – робототехніка, штучний інтелект, синтетична біологія та інші. «Технології, що розвиваються з мінімальною саморефлексією, можуть легко обернутися проти нас»¹⁹⁰. Сьогодні виникає стурбованість повсюдною комп'ютеризацією, що робить нас надзвичайно уразливими, тому існує ряд проблем – і негативних, і позитивних – технологій, що так швидко еволюціонують. Сучасні системні складності і взаємозалежності є величезними і вони постійно зростають. Має місце ряд організованих злочинних структур, хакерів, шахраїв, що наносять шкоди, тому необхідно контролювати найновіші інформаційно-інноваційні технології. Відбувається боротьба за душу технології третього тисячоліття на благо всього людства.

Позитивні аспекти технологічної еволюції не викликають сумнівів, проте взаємний зв'язок, що забезпечує Інтернет поєднує всіх, як ніколи раніше. Хоча переваги онлайн-світу засвідчені і через це часто висуваються в індустрії високих технологій, існує і зворотна сторона цієї взаємної пов'язаності. Щодня ми все більше підключаємо наше повсякденне життя до технологічних атрибутів нашого сучасного суспільства – глобальної інформаційної мережі. «Біти і байти подорожують без будь-яких прикордонників, без імміграційного контролю або митних декларацій, а для транснаціональної злочинності в онлайн-світі не існує традиційних бар'єрів».¹⁹¹ «Сьогодні будь-хто із швидкістю світла здатен переміщатися на протилежний бік планети, а для злочинців це стало нечуванним благом».¹⁹²

Завдання дослідження:

1. Виявити експоненційний характер інформації як чинника розвитку технологічного прогресу та технологічного світу, представлених концепцією «коліно експоненційної кривої».
2. Проаналізувати приклади технологічного прогресу в інформаційному світі.
3. Розкрити сутність інформації як експоненційного ресурсу вдосконалення інноваційних технологій.
4. Показати роль роботів та штучного інтелекту (ШІ) як символів технологічного прогресу.

Експоненціональний характер технологічного світу, представленого концепцією «коліно експоненційної кривої». Р. Курцвейл у роботі «Сингулярність поряд» описує експоненціональний характер технологічного світу навколо нас і представляє концепцію, яку називає «коліно експоненційної кривої». Це точка перегину на осі часу, коли експоненційний тренд стає насправді помітним. Даний тренд набуває бурхливого заростання і робиться вертикальною, в міру того, як реалізується математичний ефект експоненційного зростання. Нестримні темпи цих змін і постійно зростаюча присутність технологій у нашому житті невпинно прискорюються через аксіому технології, яка називається «Закон Мура» (1965) відносно потужності і можливостей технології, що можуть впливати на наш світ і позитивно, і негативно. Стале подвоєння обчислювальної потужності комп'ютерів, передбачене «законом Мура», робить цей закон неймовірно значимим. Це означає, що криві зростання є експоненційними, а не лінійними. Так, сучасний смартфон у мільйон раз дешевший за суперкомп'ютери 1970-х років минулого століття. Комп'ютерний прогрес настільки прискориться, що випередить спроможність людства досягнути його і машинний інтелект

¹⁹⁰ Гудмен Марк (2019). Злочини майбутнього / Пер. з англ. І. Мазарчук, Я. Машико. Харків: Вид-во «Ранок»: Фабула, 2019, с. 7.

¹⁹¹ Там само, с. 18.

¹⁹² Там само, с. 18.

перевершить людський, а наша здатність розуміти глобальну інформаційну мережу – згасає. За прогнозами Курцвейла, даний вид сингулярності як різновиду швидкого науково-технічного прогресу відбудеться до 2045 року, тому прийдешні роки принесуть технологічні зміни настільки бурхливі і докорінні, яких ще не було, завдяки *експоненціальному характеру технологічного світу*, в основі якого бурхливе зростання інформації, що привело до прориву технологій. Термін «Big Data» є універсальним визначенням, що описує, як можна використовувати великі масиви інформації для розуміння, аналізу і прогнозування тенденцій у динаміці. Насправді ж збільшення кількості даних, нічого не варте, якщо не закладено механізмів їх опрацювання. Цінність великих даних частково пов'язана з кількістю накопиченої інформації, але ще важливішим є набуте нами вміння використовувати ці дані в режимі реального часу для прийняття ефективних рішень. Аналіз «великих даних означає спроможність опрацювати величезні масиви інформації в режимі, максимально наближеному до реального масштабу часу. Швидкість аналізу відкриває принципово нові можливості для інформаційного прогресу. Розвиток технологій зберігання даних і зростання обчислювальних потужностей – процеси, що взаємно підтримують один одного. Чим більше інформації накопичується, то більшими стають інвестиції в потужні комп'ютери і великі сховища, де зберігатимуться дані для подальшого їх опрацювання й аналізу, потрібного ухвалення управлінських рішень у бізнесу.

Приклади технологічного прогресу в сучасному інформаційному світі. Цифрове виробництво, що поєднує нанотехнології, 3D-друк і швидке прототипування, може виробляти композитні матеріали, міцніші і дешевші за сталь і бетон. Наночіщення може очищувати воду від патогенів, металів, навіть від солі. Високотехнологічні туалети не потрібно тимчасово поєднувати до каналізації – вони перетворюють людські відходи на добриво, питну воду та енергію. Про це говорить Стівен Пінкер у роботі «Просвітництво сьогодні. Аргументи на користь розуму, науки та прогресу».¹⁹³ Технологічній здобутки, що уможливили прискорення технологічного прогресу, повинні лише набирати обертів. Геноміка, синтетична біологія, нейронауки, штучний інтелект, матеріалознавство, теорія аналізу й обробки даних та аналіз політики, заснованої на фактах, процвітають. «Продуктивність під керуванням технологій підкрадаються до світу непомітно»¹⁹⁴, – зазначає Стівен Пінкер. Крім того, людям потрібен час, щоб розібратися, як використати нові технології найкраще, а галузям промисловості – щоб модернізувати заводи та методи виробництва. Точне зрощення та розумні мережі для води за допомогою дешевих датчиків і штучного інтелекту в мікросхемах можуть скорочувати споживання води на третину. Генетично модифіковані морські водорості можуть витягувати з повітря вуглекислий газ і виділяти біопаливо. Дрони можуть моніторити багатомильні ділянки віддалених трубопроводів і залізничних колій, а також доправляти медикаменти й запчастини у віддалені ізольовані села. Роботи можуть узяти на себе працю, якої люди терпіти не можуть: добувати вугілля в шахтах, розкладати товар на полицях і застеляти ліжка¹⁹⁵. Штучний інтелект, опрацюючи великі дані про геноми, симптоми та історії хвороб, діагностуватиме недуги з більшою точністю, ніж шосте чуття лікарів, і призначатиме ліки, що будуть відповідати нашій унікальній біохімії.

Інформація як експоненційний ресурс вдосконалення інноваційних технологій, обчислювальної потужності, геноміки, робототехніки. Інформація засвідчує прогресу завдяки інноваціям, одна з них – демократизація платформи для винаходів, інтерфейси прикладних програм і 3D-принтери тощо. У порівнянні з традиційним виробництвом, 3D-

¹⁹³ Стівен Пінкер (2019). Просвітництво сьогодні. Аргументи на користь розуму, науки та прогресу / пер. з англ. Олена Любенко. К.: Наш формат, с. 335.

¹⁹⁴ Там само, с. 334.

¹⁹⁵ Там само, с. 334-335.

друк буде простіше підлаштовувати під вимоги споживачів, до того ж він зменшить у рази витрати на складне виробниче обладнання. Дехто вже прогнозує п'ятикратне зростання ринку 3D-принтерів – до 16 мільярдів доларів у 2018 році. Сьогодні використовують 3D-принтери для створення індивідуальних протезів наступного покоління, які не тільки чудово піддаються фіксації, але й мають гарний вигляд. Цифрові технології у виробництві можуть бути використані для друку цілих будинків, бетонних конструкцій, електродротів, сантехніки та багато чого іншого. Біотехнологічні 3D-принтери піднесли цифровий друк на новий рівень, адже вони здатні друкувати навіть людські тканини та органи, зокрема капіляри, нирки, вушні раковини та серцеві тканини, що невдовзі дозволить покінчити з трансплантацією органів від людини до людини і допоможе врятувати життя мільйонів хворих.

Роботи як символ технологічного прогресу. Термін робот вперше використав чеський письменник Карел Чапек 1920 року у п'єсі-антиутопії «Россумські універсальні роботи». Вигадані Чапеком роботи були новим класом «штучних людей», створених для обслуговування людства. Етимологічно це слово пов'язане з чеським словом «robota» і «robotnik». По суті, роботи знаменують, як відмічає Алек Росс у роботі «Індустрії майбутнього», «роботи знаменують злиття двох історично закорінених тенденцій: технологічного прогресу, націленого на звільнення людини від важкої праці, й використання нижчих суспільних класів як дешевої робочої сили й прислуги для вищих класів».¹⁹⁶ Роботи дійсно виступили символом технологічного прогресу й продуктом масового виробництва. Тому головною проблемою підвищення ефективності технологічного прогресу та розвитку технологічного світу буде роботизація та автоматизація. Тоді як рушійною силою Першої епохи машин, що постала з промислової революції, була енергія, другою керує інший антиентропійний ресурс – інформація. Її революційна перспектива походить від суперсили використання інформації, яка керує всіма іншими технологіями, а також від експоненційного вдосконалення самих інформаційних технологій, наприклад, обчислювальної потужності та геноміки.

Нанотехнології як головна інновація технологічно світу та прогресу. Зараз з'являються нові технології, які потребують ще більшої уваги. В умовах нового технологічного світу з'явилися нові технології, як нанотехнології, робототехніка, штучний інтелект, синтетична біологія, істотно впливатимуть на наш світ і створюватимуть безліч таких загроз безпеці, порівняно з якими сьогоднішня кіберзлочинність здаватиметься дитячою грою. Нанотехнології – це маніпуляція речовинами в атомному і молекулярному масштабах – аж до нанометра. Крок за кроком наближається чергова технологічна революція, адже вчені намагаються створити машини молекулярного рівня

Дифузія інноваційного прогресу як розвиток технологічного світу та технологічного прогресу. Дифузія інноваційного прогресу як різновид соціальної зміни (чи змін) – явище, що базується на міцній технологічній основі, процес, що поширюється на інші країни та спільноти завдяки експоненціальному росту інформації та її матеріального втілення як різниці матерії-енергії, яка впливає на невизначеність. Технологічна інновація є втіленням інформації, а тому вона зменшує невизначеність щодо причинних зв'язків під час розв'язування проблем. Більшість проблем, які стали об'єктом дифузійного аналізу, – це технологічні інновації, які є навіть синонімами (інновації і технології дорівнюють одне одному). Як відмічає Еверетт М. Роджерс у роботі «Дифузія інновацій». «Технологія, як правило, складається з двох компонентів: 1) апаратної частини (hardware), тобто пристрою, який втілює технологію як матеріальний чи фізичний об'єкт, та 2) інформаційної частини (software), тобто інформаційної бази до цього пристрою¹⁹⁷, тобто технологій майже завжди є

¹⁹⁶ Алек Росс (2017). Індустрії майбутнього / пер. з англ. Наталія Кошманенко. К.: Наш формат. с. 45.

¹⁹⁷ Everett M. Rogers. Diffusion of innovations (2009)/ Lane. with the English. Basil: Stark Look. House "Kyiv-Mohyla Academy". 591 s.

сумішшю апаратних та інформаційних засобів. Згідно з нашим означенням, технологія – це засіб зменшення невизначеності, що його уможлиблює інформація про причинні зв'язки, на яких побудована ця технологія.

Нанотехнології як чинник розвитку технологічного світу і технологічного прогресу. Нанотехнології – це маніпуляція речовинами в атомному і молекулярному масштабі – аж до нанометра. Крок за кроком наближається чергова технологічна революція, адже вчені намагаються створити машини молекулярного рівня, які зможуть робити все що завгодно, – від відновлення наших тіл до конструювання надшвидких комп'ютерів. За даними Американського товариства інженерів-механіків, нанотехнології практично не залишить жодного аспекту життя недоторканим і, як очікується, набудуть широкого використання до 2020 року. Нанотехнології, як і синтетична біологія, можуть оволодіти тими чи іншими формами програмування речовин, які зможуть змінювати свої фізичні властивості – форму, щільність та електропровідність – на основі автономного розпізнавання. Ці програмовані матеріали зможуть самостійно збиратися подібно до ниток ДНК – «знизу догори», завдяки чому молекули займатимуть точно визначене розташування. Крім того, нанотехнології, як і синтетична біологія, можуть оволодіти тими чи іншими формами програмування речовин, які зможуть змінювати свої фізичні властивості – форму, щільність та електропровідність – на основі автономного розпізнавання. Ці програмовані матеріали зможуть самостійно збиратися подібно до ниток ДНК – «знизу догори», завдяки чому молекули займатимуть точно визначене розташування. Цей метод використовується природою, але до цього часу його використання було за межами людських можливостей. Наноботи, у тисячі разів менші за наші клітини, будуть спроможні побудувати будь-що – від ракетних кораблів до медичних пристроїв для ін'єкцій. Нанотехнології також матимуть величезний вплив на світ комп'ютерів, що дозволить нам створювати комп'ютери розміром із кубик цукру з більшою потужністю обробки інформації, ніж існує сьогодні.¹⁹⁸

Доповнена реальність (ДР). Доповнена реальність (ДР) забезпечує прямий перегляд фізичного середовища через екран комп'ютерам або ж мобільного телефону і у режимі реального часу накладена нього додаткову цифрову інформацію – інші зображення, звук, відео або або GPS-дані. Серед найперших прикладних програм ДР були ті, якими користувалися пілоти реактивних літаків. Вони дозволи виводити критично важливу інформацію безпосередньо на переднє скло кабіни літака, щоб пілот не відволікався. На відміну від віртуальної реальності, яка може створити цілком вигаданий світ, доповнена реальність, навпаки, посилює сприйняття дійсності через розміщення корисних даних поверх зображення речей, які ми бачимо навколо себе. Очікується, що у найближчі роки на наші гаджети буде завантажено та встановлено 21,5 мільярдів застосунків для ДР, які вже сьогодні демонструють свої можливості.

Штучний інтелект (ШІ) як чинник технічного та технологічного прогресу. Експоненціальне зростання, цифрова та рекомбінаторна потужності привели до створення штучного інтелекту (ШІ), що представляє основу росту технологічного прогресу. Є точка зору, що штучний інтелект не тільки покращить наше життя, але він зможе його рятувати. Матерія стає все більш розумнішою і майбутнє нашої планети – це прориви, боги, закони та робочі місця. Метою науково-дослідної діяльності є створення не некерованого, а корисного для людства ШІ, щоб ШІ виконував все е, чого ми від нього хочемо, без збоїв, а був націлений на добробут, розвивав культуру співпраці, користі та прозорості, щоб не допускав нехтування стандартами безпеки. Системи ШІ повинні бути безпечними і захищеними протягом усього терміну експлуатації, по можливості з функцією перевірки рівнів захисту безпеки.

¹⁹⁸ Marc Goodman (2019). Crimes of the future / lane. with the English. I. Mazarčuk, J. Mašiko. Kharkov: Publishing House «Morning»: Fabula. 495-496.

Конструктори високотехнологічних систем ШІ повинні бути зацікавлені у моральних наслідках від використання цих систем з метою зловживання чи нанесення шкоди людині, вони відповідальні за наслідки і можливості їх формувати, щоб їхні цілі і поведінка гарантовано узгоджувалися з людськими цінностями під час цього процесу експлуатації, щоб вони були сумісними з ідеями людської гідності, прав, свобода і культурного різноманіття. Як відмічає Макс Тегмарк у роботі «Життя 3.0. Доба штучного інтелекту»¹⁹⁹, люди повинні мати дані над генерованими ними даними, а в системі ШІ мати можливості для аналізу й використання цих даних. Усі технології ШІ повинні використовуватися на благо і заради підтримки якомога більшого числа людей. Могутність, отримана внаслідок контролю над високу розвинутими системами ШІ, повинна спрямовуватися на повагу і вдосконалення, а не на підриг суспільних і громадянських процесів, від яких залежить здорове суспільство, а планування й управління ШІ у подальшій перспективі його розвитку слід здійснювати з відповідною обережністю і ресурсами, враховуючи катастрофічні та екзистенційні ризики, які людство може отримати внаслідок використання ШІ.

Висновки. Таким чином, аналізуючи новітні інформаційні технології як чинник розвитку технологічного світу, ми прийшли до висновків, що інформаційні технології швидко еволюціонують і демонструє позитивні сторони технологічної еволюції, та аргументи на користь прогресу, науки, розуму. Виявлено експоненційний характер розвитку технологічного світу, представленого концепцією «коліно експоненційної кривої», а також відмічено, що майбутні роки принесуть бурхливі і докорінні технологічні зміни, яких ще не було, а експоненційний характер зростання інформації приведе до прориву технологій. Проаналізовано приклади технологічного прогресу в інформаційному світі, що поєднує нанотехнології, 3D-друк, роботизацію та автоматизацію, штучний інтелект (ШІ). Розвиток алгоритмів привів до того, що «революція ботів» змінить наш світ у недалекому майбутньому, а майбутнє належить алгоритмам та їх творцям. Тому вже сьогодні відбувається прогрес інформаційних технологій як чинник розвитку технологічного світу на благо всього людства.

Практичні рекомендації:

1. Розвивати подальшу концепцію експоненційного зростання інформації як чинника технологічного світу та технологічного прогресу, представлених концепцією «коліно експоненційної кривої».
2. Удосконалювати сутність інформації як експоненційного ресурсу інноваційно-комп'ютерних та інформаційних технологій, направлених на проникнення в усі передові сфери бізнесу, управління, фін-тех.
3. Вивчати місце і роль роботів та штучного (ШІ) як символів технологічного прогресу для подальшого розвитку технологічного прогресу в Україні.
4. Вивчати проблеми порівняльного аналізу прогресу і безпеки у взаємопов'язаному інформаційному світі у XXI столітті.

Література:

1. Marc Goodman (2019). Crimes of the future / lane. with the English. I. Mazarčuk, J. Mašiko. Kharkov: Publishing House «Morning»: Fabula. 592 s.
2. Steven Pinker (2019). Enlightenment now. Arguments in favor of reason, science and progress / lane. with the English. Elena Lyubenska. PS: our format. 560 s.
3. Alec Ross (2017). The industry of the future / lane. with the English. Natalia Košmanenko. PS: our format. 320 s.
4. Everett M. Rogers (2009). Diffusion of innovations. Lane. with the English. Basil: Stark Look. House "Kyiv-Mohyla Academy". 591 s.
5. Tegmark Max (2017). Life 3.0. Being human in the age of artificial intelligence. NY. Alfred A. Knopf. 432 s.

¹⁹⁹ Tegmark Max (2017). Life 3.0. Being human in the age of artificial intelligence. NY. Alfred A. Knopf. P. 399.

2.7. About development forecasts of education systems in the conditions of information revolution

2.7. Про прогнози розвитку систем освіти в умовах інформаційної революції

Актуальність і постановка проблеми. В умовах поглиблення глобалізаційних процесів й несподіваного виходу інформаційно-технологічної революції далеко поза очікувані межі, які раніше належали тільки письмовим текстам, найважливіша продукція (комп'ютери, обладнання мереж зв'язку та ін.) стала, фактично, міжнародною, бо включає елементи найрізноманітнішого походження. Ці явища зменшують сутнісний зміст поняття «національна освіта», адже існує дуже мало держав з тоталітарним управлінням, де системи освіти замкнені всередині їх кордонів та майже повністю ігнорують появу англійської мови як реально міжнародної в усіх сенсах й не цікавляться не тільки світовими рейтингами університетів та інших закладів, а й поняттям «якість освіти».

До відновлення своєї незалежності в 1991 році Україна в усіх аспектах була невід'ємною частиною Радянського Союзу, який десятки років будував і підтримував «залізну завісу» – майже непроникний бар'єр для культури, мов, ідей і навіть частини наук й технологій. Чимало недоліків сучасної української освітньої сфери має витоки в радянському періоді, що стосується і реалій іншомовної освіти. Тільки зараз державна освітня політика має правильний вектор розвитку (можна навіть сказати «європейський»), серед багатьох свідчень чого ми обмежимося тільки вказівкою на те, що через чотири-п'ять років відмінне знання англійської мови буде обов'язковою вимогою до абітурієнтів національних університетів та інших високореєтингових закладів.

Фаховий обов'язок автора цієї статті – викладання англійської мови тій особливій частині студентів Київського національного університету, які обрали своєю майбутньою професією точні науки. Для них характерні високі інтелектуальні показники і зацікавленість в усіх важливих інноваціях, отже, уявлення про те, яким (хоч би в загальних рисах) буде ринок кваліфікованої праці через 10-20 років і як саме їм слід готуватися для успіху на ньому. Їх однаково цікавлять і оволодіння англійською мовою, і точні передбачення наукових і технологічних досягнень у найближчі роки. Для надання студентам вказаної інформації нам доводиться вдосконалювати свої знання не тільки філологічного плану, а й, як не дивно, і в футурології. Саме тому ми приєдналися до молоді спілки викладачів і науковців України – Київського клубу «Антиколапс», – яка має на меті продовження тематики досліджень Римського клубу в аспектах подолання загрози екологічного та інших колапсів. Спільно ми створили перші праці, в яких сформульовані цілі Клубу і запропоноване наше бачення боротьби з колапсами та ін.²⁰⁰

Ця діяльність сприяла появі викладеного нижче тексту і пропозицій щодо вдосконалення планування змін у вищій освіті та у викладанні іноземних мов. Ми намагалися врахувати публікації наших українських і зарубіжних колег, віддаючи перевагу останнім за часом появи. Такий підхід забезпечить достатню актуальність дослідження і дає сподівання на наукову новизну заключних пропозицій.

Мета статті – дослідження сучасних уявлень про тренди і тенденції еволюції освітньої сфери, а головне *завдання* – критична оцінка найбільш відомих пропозицій

²⁰⁰ Корсак К., Корсак Ю., Антонюк Л., Благініна С., Бойчук О., Давиденко Н., Кірик Т., Ляшенко Л., Пилипенко С., Похресник А., Сонько С. (2019) Рух людства до двох організованих ним колапсів – екологічного і духовно-інтелектуального. Який небезпечніший і чи є порятунок? // Вища школа. – 2019. – № 3. – С. 7-18;
Корсак К., Корсак Ю., Кулик О., Лісовська Л., Ляшенко Л. та ін. (2019) Молоді науки про генетичне та еусоціальне в людині та її боротьбі з двома колапсами // Вища школа. – 2019. – № 4. – С. 36-51.

футурологів щодо планування розвитку економіки та освіти, зокрема, її сектору викладання іноземних мов у середніх і вищих школах.

В аспектах вибору *методів дослідження* ми віддамо перевагу поєднанню досягнень класичних наук (від філософії до філології) і тієї вже чималої групи дуже молодих секторів досліджень, у назві яких присутні літери «ноо-», що мають витоком грецьке слово «nous», широке значення якого охоплює всю сферу, де використовуються інтелект, розум, мудрість, розуміння, усвідомлення та інші подібні. Загальновідомим є термін «ноосфера», але ми використаємо переважно його розвиток і продовження – нооісторія, ноопедагогіка, нооекономіка, ноосуспільство і чимало інших. Зазначимо, що майже повний їх перелік містить стаття, на основі якої її авторам видані авторські свідоцтва (укр. та англ. мовами).²⁰¹

Виклад результатів. Спершу зробимо філологічні зауваження щодо центральних термінів цієї статті. У своїх попередніх працях поняття «нооісторія» ми використовували для пояснення того, що сім'я індоєвропейських мов і відповідний цивілізаційний світ виникли не примітивним і кривавим поширенням первинної мови через силові чи інші явища, а набагато складнішим у формі розповсюдження «хмари тегів» представниками тих народів, які тисячі років намагалися запозичити найвищі технології доби енеоліту у наших пращурів на території Туреччини, Трипілля і Великого Трипілля та ін.²⁰² Для нас «нооісторія» означає сукупність точних датувань і генетичних розшифрувань, які ще півстоліття тому не могли здійснити ні фізика ізотопів, ні сектор «генетика» з біології. Студенти позитивно ставляться до наших доказів того, що англійська мова стала частиною сім'ї індоєвропейських мов саме через запозичення великотрипільських тегів (іншими словами: не ми все запозичували у французів чи латинян – вони задовго до початку нашої ери знайомилися з технологіями і культурою наших пращурів й успішно переносили до себе металургійні, транспортні і навіть головні культурно-духовні (зокрема – релігійні) технології.

Вважаємо доцільним одразу ж звернути увагу на чималі відміни у нашому та «західному» використанні термінів «інтелект» і «майбутнє». Науковці Заходу застосовують перший тільки до однієї особи, відмовляючись аналізувати «інтелект групи» чи «інтелект нації». Ми вважаємо цей погляд правильним, адже, наприклад, у випадку групи з двох чоловіків «спільний інтелект» надзвичайно рідко є арифметичною сумою їхніх інтелектів, набагато частіше (через етологічні закони поведінки чоловіків) це буде різниця інтелектів чи щось близьке до нуля.

А от «майбутнє» ми зазвичай використовуємо тільки в однині – знову протилежність зі звичками «західних» науковців, які вивчають не одиничне майбутнє, а велику множину різноманітних варіантів. Там поширене словосполучення «futures studies», яке все ж може (для спрощення) редукуватися до «futurology». У момент написання статті англомовний Google на запит по цьому слову пропонує для ознайомлення майже 36 мільйонів матеріалів, рекомендуючи чітко розрізняти хоча б найголовніші варіанти майбутнього – можливе, найбільш імовірне і бажане. Факт вказаного радянського спрощення уявлень про майбутнє ми пропонуємо пояснити приматом ідеології над логікою і розумом: Комуністична партія нав'язувала побудову «комунізму», а він автоматично міг бути тільки одним, а не цілим «віником» варіантів.

Вказаний спрощений підхід мав безліч наслідків не тільки в ідеології та управлінні, а й у навчальному процесі, адже від учнів практично завжди вимагали отримати один-єдиний

²⁰¹ Корсак К., Корсак Ю. (2019) Нооглосарій-2 – ноонауки для майбутнього без колапсів // Вища школа. – 2019. – № 2 (175). – С. 31-53.

²⁰² Корсак К., Ляшенко Л. (2017) Гипотеза феномена происхождения и распространения на планете индоевропейской семьи языков // RELGA. – Ростов-на-Дону, 2017 – № 3 [321] 15.03, (Url: www.relga.ru).
Корсак К., Ляшенко Л. (2017) Новітнє пояснення походження та успіхів індоєвропейської мовної сім'ї // Світогляд. – 2017. – № 5. – С. 21-27.

розв'язок запропонованої задачі та ще й рекомендованим способом. Дуже рідко і лише у випадку унікальних учителів високу оцінку отримували ті здібні учні, які винаходили власний алгоритм розв'язування задачі. Не заглиблюючись у це ультра-цікаве питання, вкажемо на те, що спрощено-кількісні методи «працювали» під час передбачень у сфері матеріального виробництва і природничо-математичних наук, але не поза ними, зокрема, для соціальних чи інших подібних прогнозів. Цим ми ризикнемо пояснити постійне погіршення ефективності і точності радянського планування аж до стадії його непридатності в останню декаду існування Радянського Союзу.

Серед об'єктивних причин незугарного планування в СРСР ми можемо вказати й відставання держави в інформаційних технологіях, зокрема, у використанні комп'ютерів і розмножувальної техніки. Остання була під майже повною забороною, а комп'ютери з назвою «електронно-обчислювальні машини» були зняттям системи оборони держави, чому так і не поширилися на побутовий рівень, отже, не зустрічалися навіть у родинних видатних науковців чи інженерів.

У сфері освіти Радянський Союз належав до тієї групи членів ЮНЕСКО, які подавали в цю організацію дуже бідні за кількістю характеристик статистичні дані з банальної причини – їх не щастило зібрати й опрацювати на відповідній інформаційній техніці. З цим було тісно пов'язане спрощене уявлення про планування і здійснення змін в усій освітній сфері чи в її окремих частинах. Ми звернули увагу на те, що вже у роки незалежності українські науковці пригадали про різноманітні теорії XIX-XX століть, насамперед, про так звані «циклічні» явища у промисловому виробництві і, почасти, в соціальних явищах. До цих спроб ми ставимся негативно з простої причини – сьогодення відзначається домінуванням безлічі інновацій разом зі стрімким збільшенням населення та кількості політичних агентів (держав). Йде перехід до суспільства майбутнього – ноосупільства, яке спиратиметься на екологічно безпечні ноотехнології. Тому ми не рекомендуємо студентам витратити час на ознайомлення з явищами початку чи й розквіту індустріальної доби (приклад – цикли Кондрат'єва²⁰³), адже людство невдовзі взагалі заборонить індустріальні технології і виробництва.

Ми ж пропонуємо у дослідженні майбутнього *ноонауки* і вивчення шляхів прискореної заміни індустріальних технологій *ноотехнологіями*. Доцільно вивчати прогнози видатних фахівців в якійсь вузькій сфері знань – комп'ютерних наук, міжнародної торгівлі чи глобальної логістики, але не вважати їх істиною в останній інстанції й будувати на цій основі стратегічні плани чи проекти.

За кордоном було кілька випадків акумуляції державних ресурсів навколо спроб створення передбачень розвитку різноманітних явищ у майбутньому. Для всього людства з використанням порівняно простої його моделі прекрасний прогноз здійснив Римський клуб ще у 1972 році, який достатньо точно підтверджується навіть зараз.²⁰⁴ Протилежністю ми вважаємо спробу Франції перевершити досягнення Римського клубу. За наказом уряду десятки науковців країни шляхом багатьох тематичних зібрань скомпонували колективну книгу про розвиток світових подій в інтервалі 2000-2100 рр.²⁰⁵ В книзі вся увага звернута на змагання СРСР і США, Китай згаданий «інколи», Індія ж проігнорована майже повністю. Видатна специфіка цього великого прогнозу в тому, що книга отримала поширення усього за кілька місяців до зникнення Радянського Союзу...

Увагу ЗМІ, як і авторську цікавість, викликають прогнози майбутнього, створені колективами науковців у тому разі, коли вони точно вказують настання тих чи інших подій –

²⁰³ Згуровський М. (2009) Взаємозв'язок великих кондрат'євських циклів розвитку економіки і системних світових конфліктів // Україна. Наука і культура. – Вип. 35. – 2009. – С. 76-87.

²⁰⁴ Meadows D. L. et al. (1972) The Limits to Growth: A Report for the Club of Rome's Project on the Predicament of Mankind. New York: Universe Books. 1972.

²⁰⁵ Gaudin Th. (1990) 2100 récit du prochain siècle. – Paris, Éditions Payot, 1990. – 600 p.

технічних досягнень, втілення проривних технологій, початку лікування страшних хвороб тощо. Наше ознайомлення з довгезезним майже 30-річним прогнозом японського Міністерства наукових досліджень, створеним ще в 1993 році, засвідчило його високу точність щодо всього того, що в одиничних примірниках існувало в японських, американських чи інших лабораторіях чи провідних фірмах у секторах інформаційної техніки, для окремих виробничих технологій і т.д. «Воно» вже було, а тому передбачити момент масового поширення було нескладно.

А от прогнози щодо лікування чи завоювання космосу виявилися звичним ототожненням бажаного з можливим – тут неуспіх цілком очевидний. У разі використання подібних прогнозів для планування змін в освіті бажано не помилятися аж на відстань 15-20 років – надто довго триває процес отримання професії і накопичення високої фахової компетентності (це особливо помітно у разі медичної освіти). Для вирішення подібних завдань в другій половині ХХ ст. у США був створений особливий науково-освітній сектор – дослідження дуже великих і глобальних систем (один з «продуктів» – вже згадана книга «Межі зростання»). Його успіх був серйозно поліпшений тим, що на підтримку «народилася» кібернетика і швидко розвинулася вся комп'ютерна техніка.

Для переборення вузькості знань і слабкості мислення однієї людини були апробовані різноманітні варіанти колективної діяльності науковців, аналітиків, конструкторів та інженерів. Кращим з них ми вважаємо славнозвісний «форсайт»²⁰⁶ у разі технологічного прогнозування на не дуже великий інтервал часу. Його недоліки акцентовані у статті нашого наукового керівника К.Корсака таким чином:

«Аналізуючи доступні публікації про «форсайт», ми дійшли висновку, що у своєму кращому варіанті він обов'язково має бути нелінійно-синергетичним передбаченням, яке до того ж припускає можливість емерджентних подій (несподіваних відкриттів та ін.). У разі більш-менш успішного врахування подій і відкриттів, що ще не сталися, але можуть надійти у найближчі роки, форсайт набуває значних переваг над поширеним у минулому традиційним методом складання й створення прогнозів. Нагадаємо, що цей метод мав лінійний характер і спирався на *екстраполяцію тенденцій*. У цьому разі за допомогою системи рівнянь на основі початкових даних обчислювалися їх прогнозні значення на не надто великий інтервал часу».²⁰⁷

У цій оцінці та пропозиціях ми звернули увагу на слова «нелінійно-синергетичні передбачення» та «емерджентні події». Ми згодні з тим, що під час планування освіти чи інших сфер необхідно передбачити ті відкриття, які стануться у найближчий час і різко змінять науку й виробництво. Після публікації статті К.Корсака до несподіваних нових явищ ми відносимо два найбільші – розгортання в усіх площинах вивчення і опису смарт-явищ (smart technologies) і вражаюче швидке дослідження, створення і використання «штучного інтелекту». Для правильності аналізу слід нагадати, що після 2000-го року стали створюватися екологічно безпечні ноотехнології і були запропоновані ноонауки.

Наше ознайомлення із зарубіжними публікаціями на смарт-тему сформувало виразне розчарування: ЗМІ підхоплюють і рекламують переважно розпочаті чи заплановані проекти спорудження будинків чи міст, в яких заощаджується енергія, успішно трансформується сміття і т.д. Кожного разу використовуються поліпшені індустріальні технології, а не цілковито безпечні ноотехнології; як правило, вся увага звернута на зменшення викидів у повітря двоокису вуглецю для «боротьби з глобальним потеплінням». На цьому шляху

²⁰⁶ Федулова Л. І. (2008) Форсайт: сучасна методологія технологічного прогнозування // Економічне прогнозування. – 2008. – № 3. – С. 106-120; № 4. – С. 124-138.

²⁰⁷ Корсак К. В. (2011) Форсайте планування розвитку освіти та економіки в епоху ноотехнологій // Проблеми освіти. – 2011. – Випуск 68, с. 41.

неможливо ліквідувати загрозу «екологічного колапсу» – смарт-технології є все ж індустріальними і дуже шкідливими для біосфери і людини. У межах Київського клубу «Антиколапс» ми прийшли до спільного переконання у необхідності скерування подій в Україні не по «смарт-шляху», а ноорейками, створюючи і використовуючи екологічно нешкідливі ноотехнології.

Значно складніша ситуація зі штучним інтелектом, дослідження і використання якого перебувають, так би мовити, «в зародковому стані». У нього попереду довжелезний шлях, адже його інформаційно-матеріальне забезпечення тільки-тільки оформлюється і далеко від практичного здійснення (ми маємо на увазі спінтроніку і всі варіанти квантових комп'ютерів). Усім більш-менш відомі перші успіхи штучного інтелекту у шахах чи ще складніших іграх. Приємно вразив науковців пошуковий комплекс «Ватсон (Watson)»²⁰⁸, який одразу ж вказав їм на те, що найкращим способом очищення морської води від солей є той, який забезпечує чайок (гланди цих птахів дуже ефективно вилучають сіль). Досягнення «Ватсона» пояснити дуже легко – він використав закладені в нього знання практично всіх сучасних точних і гуманітарних наук (включаючи й орнітологію). Звісно – конструктори ізраїльських чи інших заводів з опріснення води й не думали консультуватися з орнітологами.

У темі «підстави для точного прогнозування освітніх змін» ми повинні враховувати не тільки щойно вказані «дві несподіванки», а й набагато вагоміші явища – близьке оволодіння сонячною енергією і створення реплікаторів (3D-принтерів), які використовуватимуть не металеві порошки пластики чи інші штучні матеріали, а одні лише практично безкоштовні природні речовини. Не потребує додаткових доказів практично очевидне твердження – щойно згадані винаходи разом з удосконаленим штучним інтелектом гарантовано створить цілковито нову ситуацію на світових і національних ринках праці вже у 2030-х роках. Ні провідний світовий фахівець з ІК технологій Р. Курцвейл, ні американський радник керівництва Європейського Союзу Дж. Ріфкін, який проголошує "третю промислову революцію"²⁰⁹, й досі не здогадуються про існування перших ноотехнологій і про те, що справжнє майбутнє належить ноотехнологіям і ноонаукам.

Після усього викладеного дуже просто сформулювати висновки і рекомендації:

1) свого часу наші пращури спровокували перше одуховлення людства і поширили високі технології енеоліту і початку ери бронзи;

2) у даний момент з теренів України відбувається «друге одуховлення», яке спирається на ноонауки і ноотехнології.

Нічого по-справжньому корисного не пощастить отримати ні з останніх рекомендацій вказаних фахівців, ні з великої доповіді Римського клубу про підсумки 50 років своєї діяльності – всі вони цілковито ігнорують і ноотехнології, і ноонауки.²¹⁰ Наші прихильники скерування всієї України в «нове сільське господарство» разом з «неоіндустріалізацією» не помічають того, що вже успішно діють реактори для вирощування справжнього волокнистого м'яса зі стовбурових клітин корів чи інших тварин (а Гейтс витрачає мільярди на масове виробництво котлет для макдональдсівських гамбургерів з рослинної сировини).

Отже, вся наша вища школа має якомога краще враховувати щойно вказані явища і тенденції і під час вдосконалення змісту наявних дисциплін, і для створення цілком нових для прискорення настання епохи повної перемоги ноотехнологій і ноонаук.

²⁰⁸ Чебан Е. (2015) Искусственный интеллект суперкомпьютера Watson научился находить пути решения и обсуждать некоторые проблемы окружающего мира (URL: https://vk.com/topic-692972_25780992?offset=4300) 17-11-2015.

²⁰⁹ Рифкин Дж. Третья промышленная революция: Как горизонтальные взаимодействия меняют энергетику, экономику и мир в целом / Джереми Рифкин; Пер. с англ. – М.: Альпина нон-фикшн, 2014. – 409 с.

²¹⁰ von Weizsaecker, E., Wijkman, A. (2018) Come On! Capitalism, Short-termism, Population and the Destruction of the Planet. – Springer, 2018. – 220 p.

А от у темі «англійська мова й освіта в Україні» ми цілком оптимістично відзначимо непорушність монопольного становища колег-викладачів у найближчі роки, коли штучний розум лишиться «дитинчам» у різноманітних завданнях з перекладів з різних мов і для навчання молоді. Ми будемо радіти з того, що для всієї планети англійська мова стала освітнім пріоритетом, а от у китайської немає і не буде шансів стати їй конкурентом. Але одночасно потроху готуватимемося до того ринку праці майбутнього, де усілякі диктори будуть роботами зі штучним інтелектом, більшість сучасних професій окупують ті ж метикуваті роботи, а цілі книги, журнали і газети майже миттєво за індивідуальними замовленнями компонуватиме гігантський штучний інтелект.

Тоді робочий час більшості землян прямуватиме до нуля, а тому дай Боже людям розуму для мудрого використання нескінченного «вільного часу» (зокрема – і для вивчення англійської чи більш рідкісної мови).

Література:

1. Згуровський М. (2009) Взаємозв'язок великих кондратьєвських циклів розвитку економіки і системних світових конфліктів // Україна. Наука і культура. – Вип. 35. – 2009. – С. 76-87.
2. Корсак К., Корсак Ю., Антонюк Л., Благініна С., Бойчук О., Давиденко Н., Кірик Т., Ляшенко Л., Пилипенко С., Похресник А., Сонько С. (2019) Рух людства до двох організованих ним колапсів – екологічного і духовно-інтелектуального. Який небезпечніший і чи є порятунок? // Вища школа. – 2019. – № 3. – С. 7-18.
3. Корсак К., Корсак Ю., Кулик О., Лісовська Л., Ляшенко Л. та ін. (2019) Молоді науки про генетичне та еусоціальне в людині та її боротьбі з двома колапсами // Вища школа. – 2019. – № 4. – С. 36-51.
4. Корсак К., Корсак Ю. (2019) Нооглосарій-2 – ноонауки для майбутнього без колапсів // Вища школа. – 2019. – № 2 (175). – С. 31-53.
5. Корсак К., Ляшенко Л. (2017) Гипотеза феномена происхождения и распространения на планете индоевропейской семьи языков // RELGA. – Ростов-на-Дону, 2017 – № 3 [321] 15.03, (Url: www.relga.ru).
6. Корсак К., Ляшенко Л. (2017) Новітнє пояснення походження та успіхів індоєвропейської мовної сім'ї // Світогляд. – 2017. – № 5. – С. 21-27.
7. Корсак К. В. (2011) Форсайте планування розвитку освіти та економіки в епоху ноотехнологій // Проблеми освіти. – 2011. – Випуск 68. – С. 39-44.
8. Рифкин Дж. Третья промышленная революция: Как горизонтальные взаимодействия меняют энергетику, экономику и мир в целом / Джереми Рифкин; Пер. с англ. — М.: Альпина нон-фикшн, 2014. — 409 с.
9. Федулова Л. І. (2008) Форсайт: сучасна методологія технологічного прогнозування // Економічне прогнозування. – 2008. – № 3. – С. 106-120; № 4. – С. 124-138.
10. Чебан Е. (2015) Искусственный интеллект суперкомпьютера Watson научился находить пути решения и обсуждать некоторые проблемы окружающего мира (URL: https://vk.com/topic-692972_25780992?offset=4300), 17-11-2015
11. Gaudin Th. (1990) 2100 récit du prochain siècle. – Paris, Éditions Payot, 1990. – 600 p.
12. Meadows D. L. et al. (1972) The Limits to Growth: A Report for the Club of Rome's Project on the Predicament of Mankind. New York: Universe Books. 1972.
13. von Weizsaecker, E., Wijkman, A. (2018) Come On! Capitalism, Short-termism, Population and the Destruction of the Planet. – Springer, 2018. – 220 p.

2.8. Innovative development of the transport automobile system of Ukraine: problems and prospects

2.8. Інноваційний розвиток транспортної автомобільної системи України: проблеми та перспективи

Транспортна система є складним стохастичним механізмом, який поєднує у собі безліч підсистем різного рівня, яку слід розглядати через поєднання системного, синергетичного та інформаційного контекстів. Формування ефективної автотранспортної системи країни можливо лише через реалізація єдиної економічної, інноваційної, інвестиційної, соціальної політики спрямованої на задоволення потреб підприємств, населення, підвищення та рівня безпеки та якості обслуговування.

Вплив на економіку і суспільство ринковоорієнтованої, динамічної, автомобільної транспортної галузі важко переоцінити, тому реформування галузі має йти у напрямку удосконалення взаємозв'язків між різними видами транспорту й інфраструктурою (автомобільний та міський, залізничний, водний, авіаційний транспорт дорожнє господарство та поштовий зв'язок) та підвищення ефективності кожного окремо взятого виду, розвитку його переваг та усунення недоліків.

Особливості виробничого процесу у автотранспортній галузі та її роль у розвитку національної економіки України вимагають постійного удосконалення концептуальних засад та наполегливого напрацювання практичних кроків у реформуванні транспортної системи, впровадженні різних форм і методів модифікації та розвитку інфраструктури автомобільних доріг, виробничої бази підприємств різних форм власності, оновлення їх основних виробничих фондів. А втім маємо з сумом констатувати, що *Стратегічний план розвитку автомобільного транспорту та дорожнього господарства на період до 2020 року*²¹¹, наказ № 548 Міністерства інфраструктури України від 21. 12. 2015 року не виконано.

Аналогічний висновок можна зробити після аналізу *Національної транспортної стратегії України на період до 2030 року*²¹², схваленої розпорядженням Кабінету міністрів України від 30. 05. 2018 р. № 430-р.

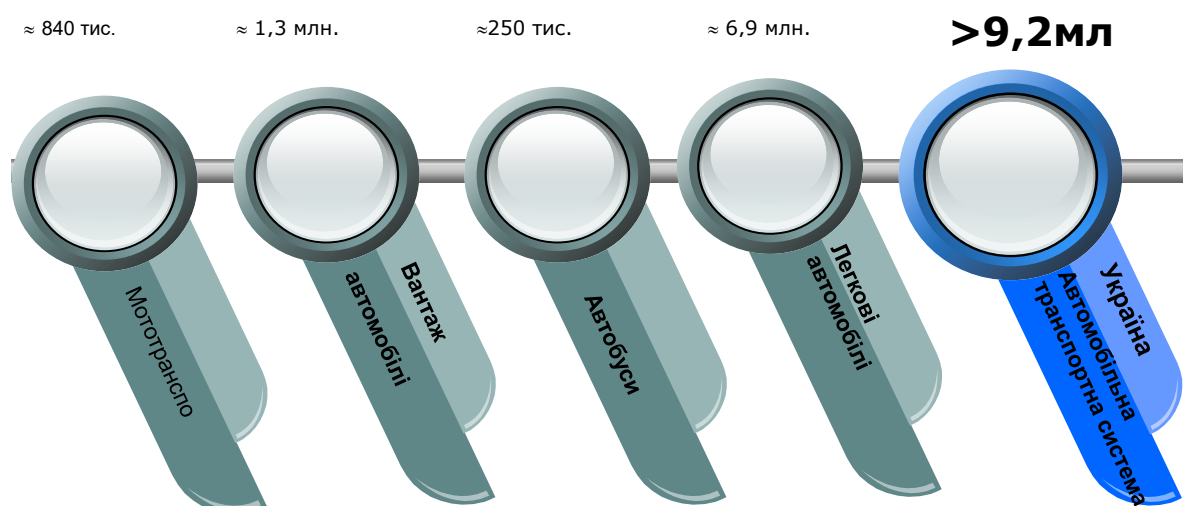


Рис. 1. Складові автомобільної транспортної системи України.

Джерело: складено авторами

²¹¹ Стратегічний план розвитку автомобільного транспорту України на період до 2020 року.

²¹² Національна транспортна стратегія України на період до 2030 року.

Автомобільна транспортна система України на січень 2019 р. налічує більше 9,2 млн. транспортних засобів (Рис. 1), а “автобуси є єдиним громадським транспортом для 412 з 460 міст України та понад 96% сільських населених пунктів”²¹³.

Вкрай важливо усунути проблеми розвитку та нівелювати негативні аспекти автомобілізації (Рис. 2.).

невідповідність попиту на послуги вантажного, легкового і автобусного транспорту структурі парку		зменшення кількості базових автопідприємств, які працюють на ринку пасажирських перевезень
недостатні темп інноваційно-інвестиційного розвитку та стимулювання державою інноваційних процесів і науково-технічних розробок у галузі автотранспортних перевезень		недотримання принципу «платить той, хто використовує» невідповідність витрат автоперевізників і тарифів на пасажирському автомобільному транспорті
обмеженість державного фінансування робіт з розбудови нових автомобільних доріг, ремонту та експлуатаційного утримання мережі доріг загального користування	соціальні й економічні втрати від дорожньо-транспортних пригод	економічна незацікавленість у обслуговуванні населення сільських населених пунктів з малою кількістю жителів автомобільним транспортом загального користування
збитки держави від роботи нелегальних автоперевізників, які не мають відповідних дозвільних документів	забруднення навколишнього середовища, погіршення екологічного стану, недотримання принципу «платить той, хто забруднює»	відсутність чіткого механізму обліку та компенсації збитків автоперевізників від пільгових перевезень пасажирів
нерозвинутість інфраструктури автомобільних доріг	руйнування інфраструктури автомобільних доріг	недотримання режимів роботи й відпочинку водіїв автотранспортних засобів та недосконалість контролю за ними

Рис. 2. Негативні аспекти автомобілізації транспортної системи України.

Джерело: складено авторами

²¹³ Розвиток транспорту з метою відновлення і зростання української економіки: наук. доповідь / за ред. д-ра екон. наук О. І. Никифорок.

Результати аналізу сучасного парку автотранспортних засобів свідчать, що до основних недоліків слід віднести високу ступінь зносу основних засобів 50,6% (2016 р.: первісна вартість – 1 562 079 грн., залишкова вартість – 772 139 грн.), і як наслідок низькі технічні характеристики (надійність, паливна економічність, екологічність, відповідність міжнародним технічним вимогам) і неоптимальність структури за вантажопідйомністю, типами кузова та типами рухомого складу, як у вантажних, так і пасажирських перевезеннях. Зокрема, маємо акцентувати увагу на такому суто українському виді пасажирського транспорту, як “маршрутка” переобладнана з вантажного мікроавтобусу.

Недостатні темп інноваційно-інвестиційного розвитку та стимулювання державою інноваційних процесів і науково-технічних розробок у галузі автотранспортних перевезень призводять до того, що сьогодні 95% трамвайних вагонів і 67% тролейбусів вичерпали нормативний термін експлуатації і потребують заміни. Високий рівень зносу основних фондів міського електротранспорту та недостатні темпи їх оновлення призводять до зменшення кількості парку трамвайних вагонів та тролейбусів. (близько 200 од. щорічно). Невідповідність технічному та технологічному рівню сучасних вимог, суттєво збільшує (на $\approx 25\%$) енергозатрати та витрати на їх утримання, не забезпечує достатній рівень комфортності, якості та безпеки наданих послуг. Якщо згідно міжнародним технічним вимогам нормативні терміни експлуатації трамвая – 15 років, тролейбуса – 10 років трамвайних вагонів віком понад 30 років в Україні 1193 од.; тролейбусів віком понад 20 років – 1979 од.

Водночас капітальні інвестиції підприємств видів економічної діяльності “Транспорт, складське господарство, поштова та кур’єрська діяльність” у фактичних цінах, в млн. грн. становили лише: 2016 р. – 25107,8; 2017 р. – 37943,5. Із них до вантажного автомобільного транспорту, надання послуг надійшло, в млн. грн.: 2016 р. – 3587; 2017 р. – 4428,6.

Істотних інноваційних інвестицій потребує й інфраструктура, а саме система автомобільних доріг, інженерних мереж, державних та приватних підприємств і організацій, що їх обслуговують. А втім, якість якої суттєво впливає на ефективність національного бізнесу та конкурентоздатність української економіки. І це при тому, що загальна протяжність мереж автошляхів державного та місцевого значення складає приблизно 170 тис. км.

Транспортна система України має інтегруватися до загальноєвропейських транспортних комунікації, через те що значення автошляхів України у міжнародному сполученні підтверджується проходженням через Україну 4-х із 10-ти Міжнародних транспортних коридорів (коефіцієнт транзитності території дорівнює 3,11).

Поза всяким сумнівом маємо констатувати, що нинішній стан українських автомобільних доріг є загальнонаціональною проблемою. За якістю доріг Україна займає 130 місце серед 144 країн (Табл. 1).

Таблиця 1. Порівняльна оцінка якості автошляхів України у Глобальному індексі конкурентоспроможності у 2017-2018 р.р.

Показник	Ранг (країни)				
	Франція	Німеччина	Італія	Польща	Україна
Якість інфраструктури в цілому	8	10	58	61	78
Якість автошляхів	7	15	45	65	130

Джерело: *The Global Competitiveness Report 2017-2018* URL: www.weforum.org²¹⁴

Результати аналізу динаміки рангу Глобального індексу конкурентоспроможності не створюють підстав до оптимізму (Табл. 2).

²¹⁴ The Global Competitiveness Report 2017-2018.

*Таблиця 2. Оцінка якості автошляхів
у Глобальному індексі конкурентоспроможності по роках*

Показник	Ранг (роки)				
	2009-2010	2011-2012	2012-2014	2014-2015	2017-2018
Якість інфраструктури в цілому	79	71	70	75	78
Якість автошляхів	125	138	144	139	130

*Джерело: The Global Competitiveness Report 2009-2010, 2011-2012, 2012-2014, 2014-2015, 2017-2018,
URL: www.weforum.org²¹⁵*

Наведене стосується як категорійності доріг, так і якості дорожнього полотна, наявності інфраструктурних об'єктів. На дороги 1 категорії із сукупної довжини доріг загального користування з твердим покриттям в Україні (без урахування окупованої Росією АР Крим) припадає лише 1,7% в, на дороги 2 категорії – 7,7%, на дороги 3 категорії – 16,6%, на дороги 4 категорії – 65,3% і на дороги 5 категорії – 8,7%. Незважаючи на те, що в Уряді, в органах місцевої влади і в законодавчих органах усвідомлюють масштаби і гостроту проблеми, і є розуміння того, що *“95% автодоріг вже непридатні для використання”* через небажання й нездатність робити вагомі конкретні кроки щодо кардинального розв'язання проблеми, маємо ті ж самі дороги та той ж самий автотранспорт, який енергійно зношується на них ²¹⁶.

Маємо засвідчити наявність деяких позитивних зрушень. Зокрема, якщо у 2016 році фінансування дорожньої галузі складало лише 15,2 млрд. грн., то на фінансування дорожнього господарства України, тобто на спорудження, проведення капітальних ремонтів автодоріг державного та місцевого значення, благоустрій інфраструктури, удосконалення в царині безпеки руху тощо, у 2018 р. було спрямовано 46,5 млрд. грн., а на 2019 р. передбачено 54,5 млрд. грн.

Обіцянки виконавчої влади та результати аналізу витрат на дорожню сферу свідчать про те, що в 2018 та 2019 роках користувачі доріг мали б відчутти істотне покращення ситуації на автошляхах, побачити масштабні ремонтні роботи – адже саме на ці цілі виділена значна частка коштів, призначених для транспортної галузі. А втім, населення України не відчуває істотного покращення якості автошляхів, з яких 39,2% не відповідають сучасним вимогам за міцністю, а 51,1% за рівністю. Тому маємо вказати, що рішення проблеми відновлення якості автомобільних шляхів України лежить не лише в фінансово-економічній площині. До ключових пріоритетів і важелів у процес розвитку вітчизняної мережі автомобільних шляхів слід додати організаційно-правові, соціальні, силові та командні тощо. Враховуючи надзвичайну гостроту *“автодорожньої проблеми”* в Україні, доцільно перевести її до рангу *“безпекової проблеми”* та відійти від *“підтримання протягом всього року можливості проїзду існуючими (іноді лише тими, які найбільше використовуються) автошляхами”*.

Створення на ринку надання транспортних послуг конкурентного середовища та сприятливого бізнес-клімату, забезпечення створення рівних та прозорих умов (на ринку) їх надання на тлі наявності економічних переваг, призведе до залучення приватного капіталу. Підґрунтям для розширення переліку послуг, що надаються підприємствами транспортної галузі, має стати не лише запровадження принципу *“платить той, хто використовує”*, а й спрямування усіх зібраних у якості акцизу коштів на розвиток дорожньої сфери по всій Україні, а не лише у м. Київ; проведення реформи тарифного регулювання у сфері перевезення пасажирів автомобільним та міським електротранспортом відповідно до європейського досвіду. Її реалізація вимагає істотних фінансових ресурсів і може потребувати

²¹⁵ The Global Competitiveness Report 2009-2010, 2011-2012, 2012-2014, 2014-2015, 2017-2018

²¹⁶ Розвиток транспорту з метою відновлення і зростання української економіки: наук. доповідь / за ред. д-ра екон. наук О. І. Никифорок: НАН України, ДУ “Ін-т екон. та прогнозів. НАН України”. Київ, 2018. 200 с.

обмежень соціальних гарантій для населення, переходу від системи соціальної рівності до соціальної справедливості, яка більш відповідає національним інтересам України в цілому.

Звертаємо увагу, що мова має йти не лише про якість дорожнього покриття, а й про приведення інфраструктури до сучасних вимог, зокрема про:

- нерозмаїтість та несформаність інфраструктури автомобільних доріг;
- удосконалення системи управління безпекою дорожнього руху та дорожніх вказівників, знаків регулювання руху, лічильників обліку руху транспорту, тахографів тощо;
- забезпечення європейської системи технічного регулювання, світлофорні об'єкти (системи світлофорів);
- розвиток інтелектуальних транспортних систем;
- впровадження комплексів освітлення автодоріг і транспортних сіток;
- розбудову автомобільних стоянок і майданчиків для паркування;
- облаштування пунктів із автозаправними станціями;
- ремонтування та переоснащення тунелів, мостів, залізничних переїздів (з 16 191 мостового переходу діючим нормам та стандартам відповідають тільки 46,14%, термінового ж ремонту потребують 11,52% мостових переходів);
- відродження захисних та декоративних насаджень, снігозахисних систем;
- розбудову підземних та надземних пішохідних переходів, тротуарів, пішохідних і велосипедних доріжок, транспортних та пішохідних огорожень тощо.

Стосовно пасажирського транспорту, значну увагу особливо у великих містах, слід звернути на перевезення пасажирів тролейбусним та трамвайним транспортом, які за своєю екологічністю, пасажиромісткістю переважають автотранспорт. А втім, результати аналізу свідчать про істотне скорочення пасажиропотоку та ігнорування позитивів даних видів транспорту на користь використання автобусів малої місткості, переобладнаних із вантажних автомобілів (Рис. 3).

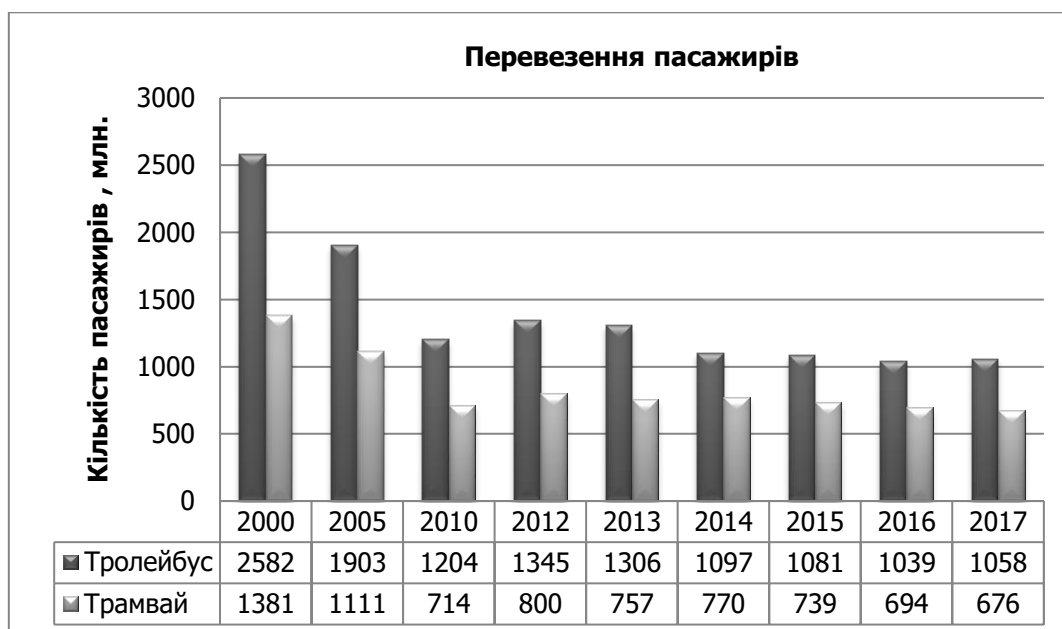


Рис.3. Перевезення пасажирів тролейбусним і трамвайним транспортом

Джерело: складено авторами

Набуває специфічних рис, діяльність тролейбусного та трамвайного транспорту, як перевізника пільгових категорій. А втім в Україні близько 20% загальної протяжності трамвайних колій та контактної мереж, а також тягових підстанцій не відповідають вимогам

правил експлуатації. Результати державного технічного огляду свідчать, що значна кількість трамвайних колій та об'єктів енергопостачання потребують невідкладного капітального ремонту або реконструкції.

Використання на ринку пасажирських автоперевезень автобусів невеликої місткості, переобладнаних з вантажних та вантажопасажирських транспортних засобів – проблема, яка знайома усім органам влади та населенню на всій території України, виникла через бездіяльність і безвідповідальність та популізм рішень законодавчої, та місцевої гілок влади. І вона може бути вирішена лише шляхом поєднання зусиль влади та населення, яке має усвідомити, що занижені тарифи та неповна компенсація за пільгові перевезення лише погіршують загальну ситуацію з транспортом у регіоні, а *“переведення стрілок”* з однієї сторони на іншу лише обтяжує ситуацію. Нераціональна марнотратна система пільг на проїзд ускладнює пошук місцевими органами влади фінансових ресурсів для впровадження та підтримки проектів у галузі транспорту, зокрема, для розвитку комунального електротранспорту, який зменшить екологічне навантаження на міста, або створення місцевих транспортних підсистем, які знижують залежність від автотранспортних монополістів. Розробка відповідних та впровадження законодавчих і нормативно-правових актів у сфері пасажирських перевезень, в яких за основу мають бути покладені права пасажирів, а не лібералізація вимог до підприємців та відсутність дієвого контролю за їх діяльністю, не лише забезпечить комфортність, зручність та безпеку, а й покращить ситуацію на ринку транспортних перевезень, залучить інвестиції в галузь, дозволить перейти до ринку з вільною конкуренцією, за зразком країн Євросоюзу. Підуть у забуття такі складові проблеми, як:

- старіння та зменшення парку рухомого складу;
- низка кваліфікація водіїв та недодержання вимог стосовно робочого часу та відпочинку;
- зношеність контактних мереж і трамвайних колій;
- недобросовісна конкуренція з боку приватних автоперевізників, особливо нелегальних;
- відсутність інвестицій у розвиток.

Сьогодні, автомобільний транспорт займає нове особливе місце в системі функціонування господарчої системи та транспортно-дорожнього комплексу України, Європи та світу. Завдяки існуючим можливостям у маневреності може бути забезпечена:

- поставка товару *“від дверей до дверей”*,
- перевезення товарів на значні відстані та у різні точки доставки за прийнятною вартістю спектром автомобілів різної вантажопідйомності та комплектування.

Реалізація якісних, швидких транспортних перевезень можлива лише у разі застосування інформаційних технологій не лише в плануванні, організації і контролі транспортно-технологічної діяльності окремих підприємств різної форми власності та видів діяльності – автотранспортні, експедиційні, термінальні підприємства, станції технічного обслуговування і автосервісу, постачання запчастинами і матеріалами тощо.

Скорочення витрат та термінів доставки вантажу, покращення якості обслуговування може бути досягнуто на засадах інтеграції різних видів транспорту у мультимодальну транспортну мережу тобто використання декількох видів транспорту для перевезення партії вантажу. Так, поєднання вантажопідйомних водного транспорту та залізничного, безсумнівним плюсом яких є низька ціна і універсальність, з відносно недорогим, маневреним, різноманітним за вантажопідйомністю, з можливістю доставки товару *“від дверей до дверей”* автомобільного транспорту, робить Україну привабливою для бізнесу. Зокрема, стосовно автомобільного транспорту, акцент має бути зроблений на:

- розвиток логістичних систем, цінову доступність для споживачів, забезпечення перевезень “від дверей до дверей” та на “останньому кілометрі”,
- збільшення швидкості пересування вантажів та пасажирів,
- покращення маневреності на засадах збільшення конкуренції та полегшення відкриття бізнесу.

Водночас маємо враховувати складності. Ефективність роботи в системі транспортного обслуговування визначається правильністю прийнятих рішень, які базуються на достовірній інформації стосовно місця знаходження транспортних засобів, стану доріг, їх технічного обладнання розташування логістичних центрів, транспортних вузлів, пунктів навантаження та доставки, об'єктів інфраструктури транспортного комплексу, оперативності та точності обліку доходів і витрат, дорожньої обстановки від швидкості реагування на мінливі умови, кон'юнктуру і ціни. Умови конкуренції диктують скорочення термінів прийняття рішень за умов постійного зростання обсягів масивів інформації, які мають бути проаналізовані. У цих умовах виживання підприємств може бути забезпечена тільки при використанні інформаційних систем та супутникової навігації.

Швидке розширення транспортного потоку призводить до часових втрат у наслідок заторів на дорогах, збільшенню кількості дорожньо-транспортних подій, витрат палива та екологічного навантаження, як результату викиду шкідливих речовин.

Лише вплив на усю транспортну систему того чи іншого рівня, а не окремі ланки ланцюга дозволить істотно підвищити ефективність керування логістичним процесом. У свою чергу, це вимагає актуалізації, в масштабах системи, функції інформаційного розвитку та створення інтегральної інформаційної системи, яка максимально досліджувала вхідні та вихідні потоки інформації. Саме інформаційно-аналітична підтримка дозволить скоротити кількість транспортних засобів та терміни поставки, за рахунок прийняття управляючих рішень у режимі реального часу.

Звертаємо увагу, що ефективність системи нелінійно залежить від використаних на її розбудову ресурсів. Тому бажано поєднувати адаптивні системи з оптимізаційною складовою, прогнозуванням та аналізом багатомірних даних, інтегрувати системи керування транспортними потоками та інтелектуальні транспортні системи, що дозволить:

- на засадах впровадження інноваційного інструментарію, який базується на інформаційних технологіях та світовому досвіді у транспортній сфері, істотно підвищити якість управлінських рішень в сфері логістики та взаємодії з зовнішнім середовищем та сприятиме зростанню ділової культури;
- підвищити якість автотранспортних послуг, як у вантажних так і пасажирських перевезеннях, збільшити конкурентоспроможність транспортної системи та реалізувати наявний потенціал;
- збільшити доступність і прозорість транспортних послуг, прискорити товарообіг й зменшити витратну складову;
- створити єдиний інформаційний простір у транспортній сфері, налаштувати систему інформування суб'єктів транспортного ринку та технічну підтримку;
- забезпечити стабільну роботу транспортної системи недопущення збоїв у роботі системи та впровадити оптимальні алгоритми їх усунення;
- підвищити безпекову складову (техногенну, економічну, терористичну тощо), зменшити аварійність на об'єктах транспортного комплексу;
- зменшити екологічне навантаження та соціальні й економічні втрати від дорожньо-транспортних пригод, забруднення довкілля, руйнування покриття доріг.

А втім сьогодні майже кожне підприємство, яке працює на транспортному ринку, має якусь інформаційну систему диспетчерського управління, які складно поєднати до єдиної

системи. Тому необхідно сформувавши єдині науково обґрунтовані засади, методологічні вимоги щодо побудови і функціонування систем диспетчерського керування. Корельовано з європейськими та українськими реаліями, вони мають визначити координатно-часове та навігаційне забезпечення автомобільного транспорту, тобто сукупність організаційних структур в сфері збору та обробки науково-технічних, інформаційних, координатно-часових і навігаційних ресурсів, а також правила обміну цими ресурсами між постачальниками транспортних послуг і споживачами. Тобто підвищувати якість інформаційного обслуговування слід на базі цифрових технологій.

Саме на засадах ефективного використання координатно-часового і навігаційного забезпечення, які базуються на супутникових системах може бути забезпечено підвищення ефективності автоматизованих навігаційних систем диспетчерського управління, які працюють в умовах транспортних потоків високої щільності, яка постійно змінюється. Водночас мають бути:

- чітко визначені критерії якості транспортного обслуговування,
- запроваджено нормування часу руху,
- сформовано вимоги до технологічних процесів збору та обробки інформації бортовими програмно-апаратними засобами навігаційних систем.

Література:

1. Стратегічний план розвитку автомобільного транспорту України на період до 2020 року [Електронний ресурс]. Режим доступу: http://www.insat.org.ua/files/project/project2020_part1.doc.
2. Національна транспортна стратегія України на період до 2030 року Розп. Кабінету Міністрів України від 30 травня 2018 р. № 430-р [Електронний ресурс]. Режим доступу: <https://www.kmu.gov.ua/ua/npas/pro-shvalennya-nacionalnoyi-transportnoyi-strategiyi-ukrayini-na-period-do-2030-roku>.
3. Розвиток транспорту з метою відновлення і зростання української економіки: наук. доповідь / за ред. д-ра екон. наук О. І. Никифорук: НАН України, ДУ "Ін-т екон. та прогнозів. НАН України". Київ, 2018. 200 с.
4. *The Global Competitiveness Report 2017-2018* URL: www.weforum.org. *The Global Competitiveness Report 2017-2018* URL: www.weforum.org.
5. *The Global Competitiveness Report 2009-2010, 2011-2012, 2012-2014, 2014-2015, 2017-2018*, URL: www.weforum.org.

2.9. Organizational fundamentals of functioning of general education in UK and Ukraine: comparative analysis

2.9. Організаційні засади функціонування загальноосвітніх навчальних закладів у Великій Британії та Україні: порівняльний аналіз

На початку 90-х років ХХ століття у Державній національній програмі «Освіта» («Україна ХХІ століття») було відзначено необхідність вивчення зарубіжних досягнень у сфері освіти для прискорення розвитку української освіти і науки.²¹⁷ У Національній доктрині розвитку освіти інтеграція української освіти до європейського та світового освітнього просторів визначена одним із пріоритетних напрямів державної освітньої політики, а у Національній доповіді про стан і перспективи розвитку освіти в Україні зазначено, що запозичений міжнародний досвід має бути гармонізованим з кращими українськими національними традиціями.²¹⁸

Аналіз актуальних досліджень засвідчив, що вивчення шкільної освіти країн Європи та світу є надзвичайно актуальним для України. До цієї проблеми все частіше звертаються українські науковці, зокрема, такі, як: Н. Балацька, Н. Лавриченко, О. Локшина, О. Матвієнко, О. Мілютіна, Н. Мороз, А. Сбруєва, Р. Сойчук та ін.

Деякі аспекти організації шкільної освіти у контексті глобалізаційних процесів в освіті під впливом соціально-економічних чинників розглянуто в докторських дослідженнях українських компаративістів. Зокрема, в докторській дисертації О. Локшина «Тенденції розвитку змісту шкільної освіти в країнах Європейського Союзу» досліджує організацію шкільної освіти Великої Британії через призму вивчення змісту шкільної освіти британських шкіл.²¹⁹

У докторській дисертації А. Сбруєвої «Тенденції реформування середньої освіти розвинених (90-ті рр. ХХ – початок ХХІ ст.)» (2004 р.) організація педагогічного процесу у британських школах проаналізована в контексті стандарторієнтованої стратегії освітніх реформ, які сприяли вдосконаленню якості навчання та виховання, а також покращенню рівня управління та фінансування шкіл Великої Британії.

Значний доробок у дослідженні різних аспектів шкільної освіти Великої Британії здійснено також українськими науковцями у кандидатських дисертаціях. Так, Н. Балацька у кандидатській дисертації «Професійна орієнтація учнів у сучасних середніх школах Англії» (2004 р.) характеризує організацію педагогічного процесу в школах Англії в контексті професійної підготовки учнів у середніх школах.²²⁰

Український компаративіст О. Мілютіна у кандидатському дослідженні «Полікультурна освіта учнів середньої загальноосвітньої школи у Великій Британії» (2008 р.) розглядає організацію шкільного педагогічного процесу у британських школах через призму реалізації полікультурної освіти в чотирьох територіальних одиницях країни.

Попри існуючі напрацювання, організація педагогічного процесу в школах Великої Британії не стала предметом окремого аналізу. Зокрема, відсутні цілісні дослідження цілей,

²¹⁷ About the State National Program "Education" ("Ukraine XXI Century") // The book of the head of the educational institution: the proof-method. editions / editors: B. M. Tereshchuk, V. V. Skyba. – X.: TORSING PLUS, 2005. – P. 39-57.

²¹⁸ National report on the state and prospects for the development of education in Ukraine (second edition) / National acad. ped Sciences of Ukraine; [author: V. P. Andrushchenko, I. D. Bech, M. I. Burda, and others.

²¹⁹ Lokshina O. I. Trends in the development of the content of school education in the countries of the European Union: author's abstract. dis. for obtaining sciences. degree doc. ped Sciences: special 13.00.01 "General pedagogics and history of pedagogy" / O. I. Lokshina. – K., 2011. – 40 p.

²²⁰ Sbrueva A., Trends in the Reform of Secondary Education in Advanced English-speaking Countries in the Context of Globalization: (90th Century XX – Early 21st Century): diss. ... doc. ped Sciences: 13.00.01 / Sbrueva Alina Anatolievna. – K., 2005. – 462 p.

завдань, принципів, форм і методів організації британського шкільного педагогічного процесу, що є надзвичайно актуальним, з огляду на декларовані нашою державою євроінтеграційні наміри.

Мета статті – здійснити порівняльний аналіз організаційних засад функціонування загальноосвітніх навчальних закладів Великої Британії та України. Конкретизувати обов'язкові етапи навчання у школах України та Великої Британії, які впливають на процес становлення і розвиток середньої освіти.

За роки незалежності України в галузі освітнього законодавства було прийнято низку законів та урядових постанов, які стали підставою для розроблення та впровадження сучасного змісту освіти: закони України «Про загальну середню освіту», «Про позашкільну освіту», «Про професійно-технічну освіту», Постанови Кабінету Міністрів України «Про перехід загальноосвітніх навчальних закладів на новий зміст, структуру і 12-річний термін навчання», Закон «Про внесення змін до законодавчих актів з питань загальної середньої і дошкільної освіти щодо організації навчально-виховного процесу» № 6518, що скасував перехід на 12-річну освіту тощо. Законом «Про загальну середню освіту» було передбачено розробку стандартів початкової, базової та повної середньої освіти.²²¹

Освітні цілі, відображені в освітніх документах та стандартах, передбачають, що зміст та організація навчання і виховання має ґрунтуватися на загальнолюдських цінностях та принципах науковості, системності, інтегрованості, єдності навчання й виховання, на засадах гуманізму, демократії, громадянської свідомості, взаємоповаги між націями і народами в інтересах людини, родини, суспільства, держави. Так, наприклад, початкова освіта спрямована на всебічний розвиток молодших учнів і повноцінне оволодіння ними всіма компонентами навчальної діяльності «через формування в учнів повноцінних мовленнєвих, читацьких, обчислювальних умінь і навичок, бажання та вміння вчитись... Діти мають набути достатній особистий досвід культури спілкування і співпраці в різних видах діяльності, самовираження у творчих видах завдань».²²²

Спрямованість української школи на виявлення і розвиток творчого потенціалу всіх учасників навчально-виховного процесу визначено у найважливіших документах, які було створено за роки незалежності. Суттєве реформування системи освіти визначається Державною національною програмою «Освіта» («Україна XXI століття») (1992), законом «Про освіту» (1996), законом «Про загальну середню освіту» (1999), «Національною доктриною розвитку освіти у XXI столітті» (2002) та пріоритетними положеннями Болонської декларації. Важливим кроком у вдосконаленні освіченості українського населення було встановлення 12-річного терміну навчання в загальноосвітній школі, яке було скасоване у 2010 році. За роки незалежності не вдалося створити умови для переходу до 12-річного терміну навчання для здобуття повної загальної середньої освіти, що відповідало б провідним світовим і європейським тенденціям, зокрема, британським.

Сьогодні також можна відзначити неповне забезпечення рівного доступу всіх громадян України до якісної освіти, хоча тенденція до егалітаризації (забезпечення рівності прав учнів на освіту) є провідною як для українських, так і для британських шкіл. Проте, варто відзначити, що у британських школах ця проблема розв'язується більш наполегливо, ніж в українських.

Актуальним для шкіл України і Великої Британії є поєднання загальноосвітньої та професійно-спрямованої підготовки учнів у старшій середній школі. І якщо британські школи

²²¹ Law of Ukraine "On General Secondary Education" dated December 7, 2000, No. 2120 // Education of Ukraine: normative and legal documents. – L.: Millennium. – P. 103-126.

²²² State standard of elementary general education // Education of Ukraine: normative and legal documents. – L.: Millennium. – P. 163-213.

мають значний досвід у організації профільного навчання для школярів, то для українських середніх загальноосвітніх навчальних закладів профілізація старшої школи є принципово новим кроком. Впродовж останніх років створено значну частину навчально-методичного забезпечення профільного навчання, а також тривають теоретичні та практичні пошуки раціональних моделей і форм такого навчання. Іде боротьба за відповідність здобутої шкільної освіти ринковим вимогам.

Сьогодні існує нагальна необхідність дослідити питання централізації- децентралізації управління шкільною освітою в Україні, що має здійснюватися в умовах дефіциту бюджетних коштів на її утримання і передбачати подальше зменшення кількості центральних органів виконавчої влади, структурних підрозділів окремих підсистем освіти, з одного боку, і надання автономії окремим її підсистемам, структурним підрозділам – з іншого. Зростає роль громадсько-державного управління шкільною освітою, що зумовлює визначення її цілей та окремих функцій. Досить високими темпами розвивається інформаційно-аналітична система управління освітою у середніх загальноосвітніх закладах (автоматизація, розробка програмно-технологічних комплексів, інформаційних баз, технічний та програмний супровід Інтернет-серверів для учасників навчально-виховного процесу тощо). У Великій Британії відбувається поєднання і збалансування дії централізаційно-децентралізаційних механізмів тому досвід цієї країни може бути досить корисним для українських шкіл.

Отже спостерігається посилення стандартизованих вимог до якості шкільного педагогічного процесу як у британських, так і в українських школах. І у Великій Британії і в Україні розгорнуто роботу з передбаченого законодавством перегляду державного стандарту загальної середньої освіти. В Україні затверджено нову редакцію освітнього стандарту для початкової школи, яка відрізняється певним розвантаженням змісту навчання, посиленням уваги до природничої, інформативної та іншомовної складових, а також акцентованим діяльнісно-практичним його спрямуванням, чіткішим визначенням результатів навчальної діяльності і критеріїв їх виявлення. В кінці 2017 року прийнята нова редакція освітнього стандарту для основної і старшої школи, однак вона не розв'язала проблеми перевантаження освіти.

Нині пріоритетними для України є такі напрями змін в освітній політиці:

- забезпечити доступність і безоплатність здобуття повної загальної середньої освіти;
- подовжити навчання учнів у школі до 18-річного віку;
- відокремити освіту від політичних партій, громадських і релігійних організацій;
- переглянути та вдосконалити зміст загальної середньої освіти;
- забезпечити ефективну реалізацію ідеї профільного навчання в старшій школі;
- здійснити інформатизацію навчально-виховного процесу;
- оптимізувати мережі загальноосвітніх навчальних закладів.

До спільних тенденцій вдосконалення організації педагогічного процесу в українських та британських школах ми відносимо такі:

- подовження обов'язкового шкільного віку;
- егелітаризація (рівність прав учнів на освіту);
- поєднання і збалансування дії централізаційно-децентралізаційних механізмів дії управління освітою;
- посилення стандартизованих вимог до якості педагогічного процесу.

Педагогічний процес в українських школах організований на основі державного стандарту навчання, базового навчального плану та навчальних програм, а в британських школах роботу шкіл унормовує національний курикулум. В обох країнах зазначені документи адаптуються до потреб шкіл, а кожна школа має власний план розвитку. Але в Великій Британії спостерігається чіткіше вироблення цілей навчання в школах, ніж в Україні. Крім того, варто взяти до уваги наявність територіальних відмінностей у Сполученому Королівстві,

що спонукало до створення освітньої законодавчої бази з урахуванням соціальних та географічних відмінностей між територіальними одиницями Великої Британії.

Для послідовного проведення державної політики в сфері загальної середньої освіти в Україні створені відповідні державні органи управління: Міністерство освіти і науки, міністерства і відомства, яким підпорядковані заклади загальної середньої освіти, управління освіти обласних державних адміністрацій, відділи освіти районних (міських) державних адміністрацій.²²³ Керівництво загальноосвітнім навчальним закладом здійснює директор. Колегіальним органом управління загальноосвітнім навчальним закладом є педагогічна рада, повноваження якої визначаються Положенням про загальноосвітні навчальні заклади. Органом громадського самоврядування загальноосвітнього навчального закладу є загальні збори (конференція) колективу загальноосвітнього навчального закладу. У загальноосвітніх навчальних закладах можуть функціонувати методичні об'єднання, що охоплюють учасників навчально-виховного процесу та спеціалістів певного професійного спрямування. На відміну від України, британське управління школами відбувається на національному та регіональному рівнях, з урахуванням відмінностей в управлінні освітою у різних територіальних одиницях Великої Британії. Для британської моделі організації педагогічного процесу характерним є принцип територіальних відмінностей, оскільки країна складається з чотирьох територіальних одиниць, які мають власні відмінності в організації педагогічного процесу.

Важливо відзначити, що для сучасного стану системи управління освітою в Україні характерний процес децентралізації, тобто передача функцій і повноважень від вищих органів управління нижчим, хоча раніше, до періоду здобуття Україною незалежності, система управління освітою була централізованою. Велика Британія пішла шляхом посилення децентралізованого управління освітою, хоча зараз країна прагне змінити форму управління шкільною освітою на централізаційно-децентралізаційну і посилити таким чином вимоги до дотримання державного стандарту навчання та виховання учнів.

Фінансування системи шкільної освіти в Україні відбувається таким чином: Міністерство освіти і науки України виділяє кошти обласним держадміністраціям, які в свою чергу, розподіляють кошти на районні держадміністрації, а далі – кошти розподіляються на районний методкабінет, або на школи чи позашкільні навчально-виховні заклади. Більшість британських шкіл отримує пряме фінансування від уряду, а місцеві органи управління освітою не мають таких потужних фінансових повноважень, як раніше.

Законом України «Про загальну середню освіту» визначено, що термін навчання в Україні для здобуття повної загальної середньої освіти у загальноосвітніх навчальних закладах I-III ступенів становить 11 років:

- у загальноосвітніх навчальних закладах I ступеня – 4 роки;
- у загальноосвітніх навчальних закладах II ступеня – 5 років;
- у загальноосвітніх навчальних закладах III ступеня – 2 роки.²²⁴

Педагогічний процес в українських школах здійснюється за груповою та індивідуальною формами навчання. Кількість учнів у класі може варіюватися від 5 до 30 осіб. Базовий навчальний план загальноосвітніх навчальних закладів визначає структуру та зміст загальної середньої освіти через інваріантну і варіативну складові, які встановлюють погодинне та змістове співвідношення між освітніми галузями (циклами навчальних предметів), гранично допустиме навчальне навантаження учнів та загальнорічну кількість навчальних годин.

²²³ Moiseyuk N. E. Pedagogy: textbook / N. E. Moiseyuk. – 4th form, supplement – K.: Lybid, 2003. – 615 p.

²²⁴ The Law of Ukraine "On General Secondary Education" / Bulletin of the Verkhovna Rada of Ukraine. – 1999. – No. 28. – P. 558-561.

У Великій Британії обов'язкове навчання учнів (від 5 до 16 років) включає в себе два етапи: початковий та середній. Навчальний план (як і навчальна програма) має назву курикулум, він відображає зміст шкільної освіти, шляхи його реалізації та основні вимоги до підготовки учнів у школах. З метою кращого унаочнення подаємо результати порівняння етапів навчання в Україні і Великої Британії у вигляді Таблиці 1:

Таблиця 1. Обов'язкові етапи навчання в школах України та Великої Британії

<i>Країна</i>	<i>Обов'язкові етапи навчання</i>
Україна	I ступінь – 4 роки навчання (учням 6–10 років) II ступінь – 5 років навчання (учням 10–15 років) III ступінь – 2 роки навчання (учням 15–17 років)
Велика Британія	1 ключовий етап – 2 роки навчання (учням 5–7 років) 2 ключовий етап – 4 роки навчання (учням 7–11 років) 3 ключовий етап – 3 роки навчання (учням 11–14 років) 4 ключовий етап – 2 роки навчання (учням 14–16 років)

Важливого значення в українських школах набуває сьогодні реалізація демократичної педагогіки, відповідно до положень якої учитель та учень працюють на демократичних партнерських засадах. Велика Британія має тут деякі переваги. Адже в британських школах досвід демократичних та рівноправних відносин між суб'єктами педагогічного процесу (вчителями, учнями, батьками, представниками соціальних служб) є більш тривалим. Вчитель та учень працюють як суб'єкти педагогічного процесу, передаючи один одному власний досвід. Наразі українські школи інтенсивно працюють над виробленням та вкоріненням демократичних та рівноправних відносин між суб'єктами навчання. Крім того, у Великій Британії надається фінансова підтримка прагненням демократичних відносин (відбувається фінансування різноманітних програм, спрямованих на демократизацію освіти), а в Україні належна фінансова підтримка таких програм відсутня.

Сьогодні вдосконалення потребує моніторинг знань учнів українських шкіл. Запроваджуючи 12-бальну систему оцінювання, Міністерство освіти і науки не мало сумніву в необхідності цих невідкладних і, без перебільшення, революційних змін, оскільки колишня чотирибальна система не забезпечувала достатньо об'єктивного оцінювання, слабо стимулювала учнів. 12-бальна система оцінювання дає змогу проводити оцінювання в чотирьох якісних вимірах: низький, середній, добрий, високий, розподіляючи кожний із них на три рівні. 12-бальна система оцінювання в поєднанні з дійовим тематичним обліком знань і державною атестацією є ефективною. Тематичний облік знань повинен бути основною формою атестації учня впродовж навчального року.²²⁵ Вичерпала себе і система випускних іспитів в Україні. З 2018 року відбувається незалежне тестування учнів з визначених предметів, в разі проходження якого, вони отримують сертифікат, який дає їм право вступати до вищих навчальних закладів.

Мета зовнішнього незалежного оцінювання: забезпечення реалізації конституційних прав громадян на рівний доступ до якісної освіти, здійснення контролю за дотриманням Державного стандарту базової і повної середньої освіти й аналізу стану системи освіти, прогнозування її розвитку. В Україні не створено всеосяжної державної системи моніторингу загальної середньої освіти. Нині немає достатньої кількості даних про стан шкільної освіти в країні, а це не дає змогу виробити стратегії поліпшення її якості. Зовнішнє незалежне оцінювання навчальних досягнень учнів, зорієнтоване на вступ до вищої школи, не стало органічною складовою навчального процесу в школі. В умовах орієнтації української освіти

²²⁵ Kremin V. G. Education and Science in Ukraine – Innovative Aspects: Strategy. Realization. Results / V. G. Kremen. – К.: Diploma, 2005. – 448 p.

на європейські педагогічні стандарти особливого значення набуває розроблення та впровадження нових підходів до оцінювання навчальних досягнень учнів. Британські школи, зокрема, мають високий рівень відповідальності за дотриманням стандартів навчання.

Зазначимо, що в Україні Державний стандарт загальної середньої освіти являє собою «зведення норм і положень, що визначають державні вимоги до освіченості учнів і випускників шкіл на рівні початкової, базової і повної загальної середньої освіти та гарантії держави у її досягненні». На відміну від нашої країни, у Великій Британії, національні освітні стандарти визначають вимоги до освіченості учнів на ключових етапах навчання (keystages): першому (keystage 1), другому (keystage 2), третьому (keystage 3) і четвертому (keystages 4). Крім того, у Великій Британії, національні стандарти є диференційованими, зокрема на державному рівні встановлено мінімальні національні стандарти навчальних досягнень (minimum national standards of achievement) та стандарти навчальних досягнень середнього рівня (так звані «floor standards»), за якими оцінюються державні початкові та середні школи.

Увага до моніторингу якості освіти постійно зростає як з боку Міністерства освіти і науки України, так і науковців та вчителів. Зроблені суттєві кроки щодо реалізації пріоритетних завдань зовнішнього тестування випускників середніх шкіл та абітурієнтів.

Таким чином, аналіз структурних, змістових і методичних засад реалізації педагогічного процесу у британських школах дав змогу визначити їх особливості порівняно з організацією педагогічного процесу в середніх загальноосвітніх закладах України та визначити перспективні для запозичення елементи британського педагогічного досвіду.

Отже, зіставляючи досвід організації педагогічного процесу в школах України і Великої Британії, ми дійшли висновку, що тут присутні спільні і відмінні тенденції. Унікальність британського досвіду полягає в тому, що в країні забезпечений належний рівень фінансування освіти, також рівний доступ громадян до якісної освіти.

Література:

1. About the State National Program "Education" ("Ukraine XXI Century") // The book of the head of the educational institution: the proof-method. editions / editors: B. M. Tereshchuk, V. V. Skyba. – X.: TORSING PLUS, 2005. – P. 39-57.
2. National report on the state and prospects for the development of education in Ukraine (second edition) / National. acad. ped Sciences of Ukraine; [author: V. P. Andrushchenko, I. D. Bech, M. I. Burda, and others.
3. Lokshina O. I. Trends in the development of the content of school education in the countries of the European Union: author's abstract. dis for obtaining sciences. degree doc. ped Sciences: special 13.00.01 "General pedagogics and history of pedagogy" / O. I. Lokshina. – K., 2011. – 40 p.
4. Sbrueva A., Trends in the Reform of Secondary Education in Advanced English-speaking Countries in the Context of Globalization: (90th of Century XX – Early 21st Century): diss. ... doc. ped Sciences: 13.00.01 / Sbrueva Alina Anatolievna. – K., 2005. – 462 pp.
5. Law of Ukraine "On General Secondary Education" dated December 7, 2000, No. 2120 // Education of Ukraine: normative and legal documents. – L.: Millennium. – P. 103-126.
6. State standard of elementary general education // Education of Ukraine: normative and legal documents. – L.: Millennium. – P. 163-213.
7. Moiseyuk N. E. Pedagogy: textbook / N. E. Moiseyuk. – 4th form, supplement – K.: Lybid, 2003. – 615 p.
8. The Law of Ukraine "On General Secondary Education" / Bulletin of the Verkhovna Rada of Ukraine. – 1999. – No. 28. – P. 558-561.
9. Kremin V. G. Education and Science in Ukraine – Innovative Aspects: Strategy. Realization.Results / V. G. Kremen. – K.: Diploma, 2005. – 448 p.

2.10. Tutorial practice as an innovative model of educational communication in higher school

2.10. Тьюторська практика як інноваційна модель освітньої комунікації у вищій школі

Вступ. В світовому соціально-економічному процесі провідною є гуманістична парадигма, в основі котрої – науково обґрунтоване розуміння значення розвитку та використання людського ресурсу як важливого чинника економічної ефективності та соціального поступу. Максимальний розвиток потенціалу особистості та його продуктивне втілення в соціально-корисній діяльності розглядається сьогодні як мета, яка органічно поєднує інтереси особистості та суспільства. В зв'язку з чим у сучасної людини значно зросла потреба в само актуалізації, визначенні, розкритті та реалізації власних психофізичних, психологічних, соціально-психологічних задатків та здібностей. Крім того, актуальним є запит на формування активної суб'єктної позиції особистості, котра дозволяє досягати успіху, відчуття затребуваності та реалізованості.

Пріоритет розвитку особистості як провідного чинника розвитку суспільства ставить інноваційні задачі перед сучасною системою освіти, як соціальним інститутом, чією фундаментальною ціллю є формування особистості на різних етапах її зростання. Задача управління розвитком людського ресурсу з необхідністю ставить проблему модернізації педагогіки, освіти як соціального інституту та суспільства в цілому. Однією з тенденцій, що визначає сучасний стан розвитку освітнього процесу в Україні є необхідність переглядання нормативів та стандартів надання та отримання вищої освіти. Актуальним є усвідомлення суспільством того факту, що актуальна система правил та стандартів освіти не є ефективною як з точки зору інтересів суспільства, так і особистих інтересів майбутніх фахівців. Крім того, не є секретом недостатній вплив вищих учбових закладів на відкриття та розвиток індивідуального комплексу здібностей, схильностей та талантів студентів, орієнтація та мотивування їх до професійної реалізації власного неповторного потенціалу, його самостійного розвитку та використання. Незадоволена суспільна потреба спонукає появу нових явищ та процесів, котрі мають компенсувати дисфункцію, що має місце. Потреба модернізації освітньої системи в нашій країні зумовлює необхідність пошуків нових педагогічних позицій з застосуванням інноваційних та гнучких освітніх програм. Це повною мірою стосується вищої освіти.

В сучасному світі загальноновизнаною є провідна роль інформаційних технологій в суспільному житті та, зокрема, в освітньому просторі. В той же час, як було сказано вище, в суспільній свідомості відбулося зміщення акценту в бік визнання особистісно-центрованої моделі освітньої комунікації. Результатом чого є розуміння особистісної компетентності як компетентності в придбанні знань та інформації взагалі.²²⁶ Формування цієї компетентності потребує психолого-педагогічних, соціально-педагогічних та власне-педагогічних інноваційних підходів. Ці інноваційні підходи мають враховувати особливості новітнього освітнього середовища, спиратись на сучасні досягнення відповідних галузей науки та створювати умови для спільного пошуку та створення нових знань всіма учасниками освітнього процесу. Особистісно-орієнтовані освітні технології в інформаційному суспільстві пропонують сучасні моделі освітньої комунікації, в основі котрих партнерська, суб'єкт-суб'єктна взаємодія викладача та студента. Сучасне інформаційне суспільство внаслідок своєї природи трансформує вимоги до цієї взаємодії, ставлячи на передній план задачі оперування значними обсягами інформації і орієнтації в них. З іншого боку, залишається затребуваною провідна функція освітньої комунікації як системи стосунків людей в

²²⁶ Шишлова Е. Э. (2015): Психология управления человеческим потенциалом организации, с. 44.

освітньому процесі, створення середовища особистісного, освітнього та професійного розвитку людини. В сучасних умовах ця функція доповнюється задачами індивідуалізації, формування суб'єктності особистості. Крім того, одним із соціальних запитів сучасного суспільства є необхідність формування у сучасної людини здатності адаптуватися до швидких змін та безперервних інновацій, які є системо утворюючим чинником сучасного життя. Нарешті, існує зумовлена необхідністю продуктивного функціонування в середовищі інтенсивного інноваційного процесу потреба формування спрямованості на безперервну самоосвіту, саморозвиток та самовдосконалення. Все це зумовлює необхідність розробки особистісно-орієнтованих інноваційних технологій в освітній комунікації. Відповідні соціальні освітні інновації мають бути інституціонально закріплені щоб віднайти своє місце в системі соціальних структур суспільства.²²⁷

Викладення матеріалу. Серед підходів, котрі потребують уваги з точки зору реалізації освітніх цінностей суспільства в інноваційних підходах одним з найбільш перспективних є тьюторська практика. Оскільки теоретичні та практичні особливості тьюторінгу максимально відповідають вимогам до сучасної освітньої комунікації, поєднуючи інтереси всіх суб'єктів освітнього процесу. Особливий інтерес, на нашу думку, представляє впровадження тьюторської супроводу у вищих навчальних закладах. Саме взаємодія викладача та студента в процесі тьюторіалу представляє собою інноваційну форму освітньої комунікації. Тьюторська модель викладання як спосіб організації освітньої системи передбачає самостійну розробку студентом оптимальних для даної особистості алгоритмів навчання з урахуванням її унікальних задатків та здібностей. Нормативним втіленням даного підходу є індивідуалізація освітніх програм. Індивідуальна освітня програма, на відміну від індивідуального учбового плану як сукупності учбових курсів, обраних студентом, являє собою програму освітньої діяльності. Це алгоритм та система дій, котра базується на індивідуальному комплексі інтересів, потреб, здібностей та можливостей тьюторанта. Просторовий та часовий порядок реалізації індивідуальної освітньої програми втілюється в індивідуальній освітній технології. Високий потенціал даної педагогічної практики полягає в поєднанні індивідуально-особистісного ресурсу студентів з соціально-педагогічним ресурсом навчального закладу та суспільства в цілому. Крім того, індивідуалізація програм, самостійність та відповідальність студентів в їх розробці, а, особливо, врахування самотності психофізичних, психологічних та соціально-психологічних чинників конкретної людини надає можливості, котрі перевершують потенціал інших освітніх технологій.²²⁸ Для тьюторської практики також принциповим є зміщення акценту від технологій трансляції та отримання фахової інформації та фахових навичок в бік формування стратегій самореалізації та творчої компетентності тьюторантів. Тьюторінг як сукупність функцій тьютора спрямований на формування суб'єктної позиції студента, його здатність реалізувати самостійний пошук інформації, супровід індивідуальних освітніх програм, підтримку освітньої ініціативи та рефлексію власних здібностей, цінностей та цілей тьюторанта. Вищезначені тенденції є надзвичайно важливими в наш час, котрий характеризується ведучою роллю гуманістичної парадигми в світовому економічному процесі та науковою обґрунтованістю значення розвитку та використання людського ресурсу.

Відомо, що як феномен освітньої комунікації тьюторство виникло в класичних британських університетах, таких як Кембрідж та Оксфорд. Феномен тьюторінгу – явище специфічне для системи вищої освіти, котра базувалась на протестантській ідеології, в основі котрої – визнання суб'єктності та активності людини, цінності особистої свободи та самостійності. Тьюторська практика втілювала в життя ідею цінності пізнання як передумови

²²⁷ Перевозна Т. О. (2014): До вивчення психологічних складових тьюторської моделі освіти у вищій школі, с. 40.

²²⁸ Ковалева Т. М. (2012): Профессия «тьютор», с. 75.

свободи та самостійності. Саме в університетській практиці Великобританії ця форма наставницької діяльності вперше поєднала на практиці особисті інтереси студента та академічні цілі навчального закладу. На протязі трьох сторіч (з XVII до XX сторіччя) тьюторінг був провідною моделлю освітньої комунікації в Європі. При цьому кафедрально-професорська система виникла як наслідок і доповнення до тьюторської. Вже на початку свого існування тьюторська практика розглядалась як ефективний механізм розвитку компетенцій студентів. В сучасних умовах суспільний запит формує нові вимоги до тьюторського супроводу, що зумовлює його застосування та функції. Сучасні уявлення щодо фахової компетенції позиціонують принципову необхідність розвитку у її носія сформованої здібності до самореалізації та саморозвитку свого потенціалу. Таким чином, однією з вирішальних умов готовності студента до виконання своїх майбутніх фахових обов'язків є сформованість компетенцій прийняття самостійних рішень, ініціативність, здатність діяти виходячи з власних конкурентних переваг, свідомого вибору шляхів та стратегій подальшого саморозвитку. Місія тьюторських технологій полягає саме в розвитку цих перемінних особистості. Слід зазначити, що індивідуалізація самостійної роботи студентів вимагає розробки комплексу заходів тьюторського супроводу, таких як: створення стратегій та алгоритмів самостійної роботи студентів, індивідуального консалтингу, рефлексивних технологій оцінки своєї роботи викладачами, розробки методичних рекомендацій, визначення критеріїв ефективності самостійної роботи студентів та інструментів зворотнього зв'язку.

В сучасному світі практика тьюторінгу застосовується в шкільній освіті, вищих учбових закладах, сімейній та допоміжній системах освіти. Зараз в Україні відбуваються несистематизовані спроби впровадження тьюторського супроводу в початковій та середній школі. Слід зазначити, що на пострадянському просторі, в Росії з 2008 року існує офіційна позиція шкільного тьютора. Крім того, звертає на себе увагу все більш активне використання тьюторського супроводу в інклюзивній освіті. В 2011 створена Тьюторська асоціація України. В Російській Федерації розроблені та втілюються в життя посадові інструкції тьютора, котрі закріплюють в адміністративно-правовому полі права та обов'язки представників цієї професії. Так, згідно посадовій інструкції, розробленій в Санкт-Петербурзькому університеті Петра Великого в 2015 році – на посаду тьютора може бути призначена особа, котра має вищу освіту та стаж роботи не менш трьох років. При цьому не йдеться ні про педагогічну, ні про психологічну освіту фахівця. В той же час уточнюється, що відповідний спеціаліст має бути знайомий з віковою та педагогічною психологією, фізіологією та гігієною, а також розуміти специфіку розвитку потреб та інтересів людини, основи творчої діяльності та інструменти пошуку та підтримки талантів. Серед посадових обов'язків тьютора в цій інструкції (як, власне, і в інших російських подібних документах) зазначається наступне. Перш за все, сприяння формуванню у студентів здатності до самостійних дій (усвідомлення наявної ситуації, створення адекватного образу майбутньої фахової діяльності, орієнтація в існуючому освітньому та інформаційному просторі, покрокове планування дій по досягненню обраних цілей). Крім того, до обов'язків тьютора належить побудова партнерської взаємодії, а також надання тьюторантам психологічної та педагогічної підтримки. В той же час позиція тьютора в системі сучасної вітчизняної вищої освіти тільки на початку свого визначення. Існують різні точки зору на сутність тьюторського супроводу, його функції та можливості. Загальноприйнятим сьогодні є уявлення про те, що тьюторській діяльності властиві такі основні напрямки як супровід, підтримка та фасилітація. А стандартними позиціями в роботі тьютора визнаються позиції стажера, наставника, супервізора та академічного тьютора. Однак, ті тьюторіали, які реалізуються сьогодні в українському освітньому просторі, як правило, мають тенденцію до неповної реалізації суб'єктності тьюторанта. Оскільки школярі за своїм рівнем особистісного розвитку ще не мають змоги виступати повноцінними

суб'єктами своєї життєдіяльності. Тому тьютор певною мірою в даному випадку виконує функції опікуна. В той же час, найбільш орієнтована на суб'єкт-суб'єктний тип взаємодії діяльність тьютора-наставника передбачає здатність тьюторанта сформувати та реалізувати особистісно активну позицію та здатність приймати продуктивні рішення відносно особистісної та професійної самореалізації. Класичним в психологічній науці є уявлення відносно того, що саме в юнацькому віці, котрий відповідає рокам навчання у вищому навчальному закладі, формується самосвідомість людини та її здатність бути суб'єктом власного життя. В цей час усталюються в якості провідних чинників подальшої самоактуалізації людини, такі базові психологічні утворення як «образ Я» та «внутрішня картина світу», створюється світогляд як основа багатомірного та розвиненого ставлення до світу та себе самого. Інтенсивне формування самосвідомості в юнацькому віці реалізується в створенні можливостей реалістичної оцінки власної особистості, здатності до саморефлексії та поглибленого самоаналізу. На цьому етапі особистого становлення молода людина розширює часову перспективу та отримує здатність до усвідомленої побудови плану свого життя, складання короткострокових, середньострокових та довгострокових планів. Крім того, саме в цьому віці відбувається усвідомлення себе як складової соціальної системи. В зв'язку з чим інтенсивно розвиваються навички соціальної комунікації, окреслюються її особисті стилі, засвоюються механізми адаптації. Молоді люди активно засвоюють нові соціальні ролі та відповідні їм соціальні статуси. І, нарешті, саме в цьому віці характерною для юнаків є потреба в довірчому спілкуванні з дорослими досвідченими людьми, котрі можуть бути цікавими з точки зору самовизначення та само втілення. Все означене створює психологічні умови і робить практично необхідною діяльність тьютора-наставника у вищій школі.

Взаємодії викладача та студента, притаманна тьюторінгу як освітній комунікації реалізує себе в побудові теоретичних концепцій та практичних моделей тьюторського супроводу, розробку підходів, схем та відповідного інструментарію. Ці особистісно-орієнтовані моделі ґрунтуються на наступних принципах: первинність особистого розвитку студентів, врахування їх наявних ресурсів, направленість на формування та розвиток самостійності молодшої людини, опора на власні потреби та інтереси, допомога їм в процесі самопізнання та самовизначення. Таким чином, суттю тьюторства є створення на матеріалі власного життя конкретного студента середовища формування його суб'єктності в процесі професійного становлення. Конкретним втіленням тьюторінгу є побудова індивідуальної освітньої траєкторії тьюторанта, спрямованої на його особистісний та фаховий розвиток, при максимальній реалізації власних освітніх, професійних та особистих інтересів. В цій побудові втілюється суб'єкт-суб'єктний принцип взаємодії викладача та студента, в котрому втілюється визнання права людини на самостійний вибір засобів самореалізації, прийняття нею відповідальності за якість та результат отриманої освіти, гармонізація внутрішніх та зовнішніх чинників освітнього середовища.

З точки зору практичної реалізації тьюторського супроводу виокремлюють групові, колективні та індивідуальні форми взаємодії в рамках очної та дистанційної освіти. В процесі тьюторського супроводження дистанційної освіти робота по створенню та втіленню індивідуальної освітньої траєкторії має, перш за все, організаційний та координуючий характер. В той час як практика очного тьюторінгу має більш значне психологічне навантаження. Задачі тьюторського супроводу в вищій школі визначають необхідність як педагогічної, так і спеціальної психологічної підготовки тьютора.²²⁹ Адже в основі побудови індивідуальних освітніх програм лежить необхідність діагностики індивідуально-психологічних особливостей студента, його схильностей, цінностей, здібностей та обмежень.

²²⁹ Ерофеева Н. Е. (2015): Опыт реализации тьюторского сопровождения образовательного процесса в ВУЗе, с. 100.

Крім того, необхідною складовою тьюторінгу є налагодження продуктивної комунікації та відповідного стилю взаємодії з студентами. Атмосфера викладацько-студентської комунікації має сприяти саморозкриттю студента, формуванню його здатності до саморозуміння і самовисловлення. Разом з тим, молода людина, котра знаходиться в процесі активного формування власної особистості потребує психологічної допомоги в розвитку здатності визначати власні стратегічні та тактичні цілі, орієнтації у власних психофізичних, когнітивних, характерологічних та інших особливостях, використанні своїх конкурентних переваг та компенсації обмежень. Також сучасний студент має потребу в якнайточнішому розумінні стану речей в сучасному світі і Україні, зокрема, відносно конкретних можливостей самореалізації в тій професії, яку він для себе обрав. А також щодо варіантів побудови кар'єри виходячи з власних вимог та можливостей. Це зумовлює вимоги до компетенції тьютора як інтегративної якості особистості фахівця як в сфері педагогіки, так і психології, котрий поділяє принципи гуманістичної психології, визнає цінності само актуалізації та самореалізації людини, володіє навичками продуктивної суб'єкт-суб'єктної взаємодії, техніками психологічної допомоги, а також психологічної діагностики, і, нарешті, здатного надати допомогу в побудові індивідуальної траєкторії розвитку тьюторанта.²³⁰

Найбільш ефективними психологічними техніками, властивими груповим формам роботи, давно визнаними є тренінги, групові дискусії, круглі столи, прес-конференції, методи групового прийняття рішення, майстер-класи. Але класичною, канонічною формою тьюторіалу як педагогічної моделі є індивідуальна робота. Перш за все це індивідуальна співбесіда. Найбільш близькими до співбесіди та такими, що несуть значний потенціал є психологічне консультування та коучинг. Підходи, техніки та конкретний інструментарій цих методів психологічної допомоги відповідають цілям та задачам тьюторського супроводу. Крім того, значний потенціал в якості допоміжних інструментів в роботі тьютора мають засоби психологічної діагностики. Психологічною практикою, котра найбільшим чином відповідає цілям тьюторської моделі взаємодії викладача та студента є практика коучингу. Слід зазначити, що термін коучинг в одному зі своїх історичних значень має відношення до практики викладання у вищій школі. В XIX сторіччі у Великобританії так називали процес приватного репетиторства студентів. Цілі та задачі тьюторства та коучингу співпадають значною мірою. В обох випадках ці цілі пов'язані зі створенням умов для формування суб'єкта діяльності, здатного до реалізації своїх потенційних можливостей та самостійного прийняття відповідальних рішень в різноманітних життєвих ситуаціях. В якості конкретних задач коучингу традиційно виокремлюються: допомога людині в формуванні здатності формулювати для себе життєво значущі запитання, пошуку відповідей на ці запитання та побудову програм їх досягнення, орієнтації у власних психофізичних, психологічних та соціально-психологічних особливостях, здібностях, конкурентних перевагах та розкритті потенціалу щодо використання та розвитку цих психологічних перемінних. Крім того, в контексті роботи зі студентами ця робота включає допомогу в більш глибокій професійній орієнтації в сучасних обставинах, більш чіткому уявленні щодо власних можливостей і вимог в стосунку майбутніх фахових обов'язків та потенційних роботодавців, усвідомленні та розробці власних цілей для подальшого особистісного, професійного та кар'єрного зростання.²³¹ Як відомо, головними принципами коучингу є: принцип усвідомленості, принцип відповідальності, принцип взаємодії, принцип гнучкості, принцип партнерства, принцип ієрархічного розвитку. Робота коуча пов'язана з нестандартними підходами до вирішення особистісних та життєвих проблем, з його орієнтацією на створення орієнтаційної

²³⁰ Ковалева Т. М. (2008): О тьюторской деятельности в современном высшем образовании, с. 7.

²³¹ Рыбина О. С. (2011): Образовательный коучинг для личной эффективности и профессиональной компетентности студентов, с. 113.

основи для вирішення професійних задач з опорою на свідоме використання знань у певній області. Обов'язок студента, згідно принципам коучингу, прийняття на себе відповідальності за рішення власних задач, що базується на власній потребі у розвитку та рішенню встати на шлях розвитку. Повною мірою, як свідчить вищесказане, описані вище особливості взаємодії фахівця – коуча та його клієнта-студента можуть бути перенесені в умови освітнього процесу вищої школи з постановкою відповідних освітніх задач. Що робить коучинг значущою технікою в сучасних моделях тьюторського супроводу. Однак в сучасному практичному житті нашої країни, як і в теоретичних побудовах поняття коучингу має стосунок до практичної психології, менеджменту та бізнесу. В практиці вищої школи він майже не застосовується. Цей стан речей значно обмежує педагогічний процес в його відповідності сучасним вимогам суспільства.

Висновки. Таким чином, загально-світові економічні тенденції, необхідність формування громадянського суспільства в нашій державі, актуальна потреба модернізації системи освіти зумовлюють соціальний запит на пошук, створення та втілення на практиці інноваційних освітніх підходів та технологій. Зростаючий інтерес інституту освіти до інноваційних моделей викладання несе в собі потенціал розвитку сучасних схем надання та отримання освіти, зокрема – тьюторського супроводу. В сучасних умовах необхідності інноваційних змін в системі вищої освіти як навчальним закладам, так і студентам потрібен фахівець-посередник, котрий візьме на себе такі функції, як: створення та реалізація індивідуальних освітніх програм, супроводження особистісного становлення студентів, фасілітація як допомога у професійному, освітньому та культурному самовизначенні, розвиток автономії та здатності до самостійного вирішення життєвих задач та підтримка активного формування суб'єктності студента. Цей запит створює умови для усталення позиції тьютора як повноправного учасника освітнього процесу у вищій школі України.

Література:

1. Ерофеева Н. Е., Мелекесов Г. А., Чикова И. В. Опыт реализации тьюторского сопровождения образовательного процесса в ВУЗе / Н. Е. Ерофеева, Г. А. Мелекесов, И. В. Чикова // Вестник Оренбургского государственного университета. – 2015. – № 7 (182) – С. 98-104.
2. Ковалева Т. М. О тьюторской деятельности в современном высшем образовании / Татьяна Ковалева // Тьюторство в открытом образовательном пространстве высшей школы: материалы Всероссийской научно-практической конференции. – М., 2008. – С. 5-14.
3. Ковалева Т. М. Профессия «тьютор» / Е. И. Кобыща, С. Ю. Попова (Смолик), А. А. Теров и др. – М.-Тверь: «СФК-офис», 2012 – 246 с.
4. Перевозна Т. О. До вивчення психологічних складових тьюторської моделі освіти у вищій школі / Тетяна Перевозна // Вісн. Харків. нац. ун-ту ім. В. Н. Каразіна. Сер. Психологія. – Х., 2014. – № 1095, вип. 53. – С. 39-41.
5. Рыбина О. С. Образовательный коучинг для личной эффективности и профессиональной компетентности студентов / Ольга Рыбина // Актуальные вопросы современной педагогики: материалы международн. научн. конф. – Уфа: Лето, 2011. – С. 112-114.
6. Шишлова Е. Э. Психология управления человеческим потенциалом образовательной организации / Е. Э. Шишлова // Психолого-педагогические аспекты работы преподавателя вуза: межкафедральн. сб. науч. статей: вып. 1. – 2015. – С. 43-50.

2.11. The paradigm of symbolic values of biblionyms with anthroponym component in the literacy of Ukrainian and Polish artists

2.11. Парадигма символічних значень біблійонімів з антропонімним компонентом у піснетворчості українських і польських митців

Уперше до наукового обігу поняття прецедентного тексту залучив Ю. Караулов, потрактовуючи його як надособистісний текст, значущий для певного індивіда в пізнавальному й емоційному аспектах, звернення до якого часто відновлюється в мовному дискурсі, тобто текст, що добре відомий спільноті²³².

Прецедентні феномени – це культурні реалії, що відбивають і маркують особливості національного менталітету, етнічної та мовної свідомості. Спільні фонові знання є власне засадчими щодо прецедентності. Істотною ознакою таких текстів є витлумачення їх як цілісної одиниці позначення, тобто цілісного знака, що маніфестує зв'язок із текстом-джерелом за принципом «частина замість цілого». Такі лінгвісти, як В. Костомаров та Н. Бурвикова вважають, «згорнутий (чи прецедентний) текст одиницею усвідомлення життєвих цінностей людей крізь призму мови за допомогою культурної пам'яті»²³³.

Прецедентний текст – це набір фреймів, активно використовуваних для формування й інтерпретації нових змістів. Г. Слишкін зазначає, що функціонування прецедентних текстів можливе за таких умов:

- 1) усвідомлення адресантом факту відсилання до певного тексту;
- 2) обізнаність адресата з текстом і його здатність розпізнати відсилання до цього тексту;
- 3) наявність в адресанта прагматичної пресупозиції його знання такого тексту²³⁴.

На переконання Ю. Караулова, Біблія є прецедентним текстом, оскільки її постулюють як систему еталонів, маркер шкали ціннісних орієнтирів лінгвокультурної спільноти. Вона допомагає представникам етносу орієнтуватися у складних поняттях, а в пізнавальному сенсі Святе Писання як вищий закон пояснює існування всього на Землі та загальні закони буття²³⁵.

Біблійні слова проєктують ідеї святості, сакральності на все, що має стосунок до Книги Книг чи релігійного культу. Слово в теоцентричній моделі світу має особливий статус, «воно позбавлене семантичного значення, що передбачає певну оцінність»²³⁶. На думку В. Зеньковського, слово має два аспекти – ідею і звук, дослідник стверджує: «... Бог створив світ не звуком, а лише ідеєю, яка є відображенням Божественного розуміння й волевиявлення»²³⁷.

Книга Книг значно збагатила мовний дискурс завдяки залученню власних назв (антропонімів і топонімів), узвичаєних ідіоматичних сполук і висловів, сюжетів, символів тощо. Отже, Біблія – це прецедентний текст, яким послуговується будь-яке суспільство. В. Красних виокремлює серед прецедентних феноменів за рівнем їхнього поширення такі:

- 1) універсально-прецедентні, відомі будь-якому сучасному мовцеві;
- 2) соціумно-прецедентні, знані будь-яким непересічним членом тієї чи тієї мовної спільноти;
- 3) національно-прецедентні, з якими обізнані всі носії мови певного етносу²³⁸.

²³² Караулов Ю. Н. (1987). Русский язык и языковая личность, с. 261.

²³³ Красных В. В. (2002). Этнопсихолінгвістика и лингвокультурология, с. 297.

²³⁴ Слишкін Г. Г. (2000). От текста к символу. Лингвокультурные концепты прецедентных текстов в сознании и дискурсе, с. 27.

²³⁵ Караулов Ю. Н. (1987). Русский язык и языковая личность, с. 263.

²³⁶ Варзонин Ю. Н. (1998). Теоретические основы риторики, с. 91.

²³⁷ Зеньковский В. (1992). Апологетика, с. 206.

²³⁸ Красных В. В. (2002). Этнопсихолінгвістика и лингвокультурология, с. 50.

Біблійні одиниці функціують в узусі як семіотичний засіб з метою номінації, саморепрезентації й аргументації. Бібліїзми, як духовний спадок патріархів, пророків, апостолів, є «згустком» унікального історичного досвіду, тобто універсально-прецедентними феноменами. Саме такі одиниці впливають на свідомість носіїв мови, для яких Писання має беззаперечний авторитет. Людина часто вбачає у Святому Письмі надію, спокій та підтримку. Заспокоєння є невід'ємним складником дискурсу мовця, наразі, коли він перебуває в стані емоційної нестабільності²³⁹.

Можливість функціювання онімів як прецедентів засвідчує семантичну тотожність понять *концепт* і *символ* за умови поширення сфер використання й культурної значущості останнього. Однією з визначальних рис символу вважають його співвіднесення з конкретним денотатом, тобто об'єктом, явищем, які, на думку Ю. Лотмана, є «вторинною моделювальною системою художнього типу»²⁴⁰. Символьне значення слова не завжди фіксують лексикографічні джерела, тому інформацію про нього часто можна отримати, послуговуючись фоновими знаннями носіїв культури. Дослідження такого значення слова чи словосполучення за певного контексту є одним із засобів окреслення як універсальних, так і національно-специфічних рис, зумовлених особливостями усвідомлення картини світу, соціокультурного простору та ментальності. Символи корелюють із простором національної культури, є одними з найстійкіших її елементів, як засобів окреслення різноманітних ідеологічних і ціннісних настанов суспільства, які регулюють його життя.

Духовно-культурний досвід людства засвідчує наявність найзначущіших символів як ціннісних орієнтирів. У культурній традиції соціуму біблійні символи відіграють неабияку роль, оскільки впливають на людську діяльність, її мотивації, тобто світосприймання, орієнтацію дій. Бібліїніми маркують контекст, до якого відсилають, імплікують значущі можливості окреслення, аналіз пізнавальних й емоційно-оцінних аспектів, є показником здатності мовця в будь-який момент декодувати, розгорнути, матеріалізувати, об'єктивувати певний прецедентний феномен із Старого чи Нового Заповіту. Функціювання таких прецедентів є засобом залучення до дискурсу мовця з метою посилення й полегшення аргументації. Використання біблійної прецедентності в комунікативному акті дає змогу з'ясувати рівень освіти, духовного розвитку індивіда й звичайно слугує обґрунтуванням власних ідей, думок, позицій, тобто авторитет Біблії полегшує процес репрезентації комунікативного акту. Біблійні прецедентні імена й ситуації є духовною цінністю світової культури, мовці послуговуються ними для саморепрезентації, визначаючи своє духовно-культурне світобачення.

Особливість семантики біблійних прецедентних одиниць полягає в ускладненні їхнього значення генетичною пам'яттю джерела. Прецедентне ім'я чи ситуація спричиняють виникнення у свідомості індивіда певних асоціацій. Незнання семантики таких висловів призводить до нівелювання цих асоціацій і неправильного усвідомлення значення. Прецедентне ім'я – це джерело формування бібліїзмів з онімним компонентом, яке в такій одиниці було піддано узагальненню й набуло статусу символу, що є «лейтмотивом» усього мікротексту.

Отже, біблійні прецедентні імена чи ситуації, які без ускладнень підлягають декодуванню, є поширеними в мовному дискурсі, виконують волюнтаривну функцію, що формує поведінку в соціумі й емоційний стан індивіда. Прагматичний потенціал біблійного слова залежить також і від позалінгвальних чинників: незаперечний авторитет Біблії в ситуації вибору, усвідомлення прецедентів саме з фідеїстичною характеристикою.

²³⁹ Ханский А. О. (2001). Вербальное утешение, с. 61.

²⁴⁰ Лотман Ю. М. (1987). Символ в системе культуры, с. 60.

Онтологічна роль і метафізичність, сакральне потрактування бібліїзмів засвідчують потужний потенціал сили слова Бога.

Релігія є істотним складником життєдіяльності суспільства, усієї історії людства, це величезний і складний пласт особливого людського – релігійних почуттів, думок, предметів, бажань, вчинків, взаємовідношень людей і соціальних інституцій. Значущими реаліями для співіснування людини й соціуму є мова, етнічність та конфесійна належність, ці чинники формують своєрідність культури й менталітету нації.

Чіткого трактування номену *бібліїзм* у лінгвістиці – немає, проте виокремлено групи таких одиниць, які можна вважати бібліїзмами. «Словник лінгвістичних термінів» за редакцією О. Ахманової кваліфікує його як «біблійне слово чи вислів», наявний у мовній системі, напр.: *блудний син, вавилонське стовпотворіння...*²⁴¹. У наукових розвідках Е. Солодухо термін бібліїзм розкрито як синонім до поняття «біблійний зворот», «фразеологічна одиниця біблійного походження» тощо²⁴². В. Гак потрактовує їх як мовні одиниці, що мають спільне джерело походження – Біблію і є «спільним компонентом культури різномовних суспільств»²⁴³.

Процес збагачення національної мовної системи значною кількістю слів, стійких сполук та крилатих висловів, маркованих текстами Біблії чи біблійними сюжетами, був безперервним і тривалим. Як зазначає Е. Солодухо, підґрунтям їхнього виникнення завдяки залученню мовних ресурсів є реалії, ідеї й образи, що спричиняють створення нових семантичних структур із регулярним функційним виявом²⁴⁴. Усім таким структурам притаманні певні ознаки: змістова закінченість, відтворюваність, семантичне та стилістичне маркування (переносне значення й посилене експресивність).

Формулювання поняття *бібліїзм* потребує виокремлення диференційних ознак, якими, як об'єктивує С. Шулежкова, є такі: 1) зв'язок із джерелом; 2) нарізнооформленість; 3) відтворюваність; 4) постійний склад граматичної структури; 5) усталена семантика, закріплена за певним зворотом у мовному узусі²⁴⁵. Укладач «Словника імен і крилатих висловів» Л. Грановська констатує, що порівняно із греко-римською міфологією, з якої запозичено фразеологічні одиниці, образні вислови та ремінісценції, джерелом походження бібліїзмів є лише одна пам'ятка – Біблія, і на формування цих мовних одиниць впливали як власне лінгвальні, так і позалінгвальні чинники²⁴⁶. Отже, виокремлення бібліїзмів – крилатих слів і висловів – як особливого пласту фразеології відбувається насамперед за ознакою знаності джерела походження таких одиниць.

Бібліїзм з онімним компонентом може бути детермінований текстом:

а) зворот лексично та структурно сформований поза текстом завдяки «згущенню» його змісту, напр.: *іудин поцілунок, єгипетська робота, вавилонське стовпотворіння* тощо;

б) зворот має в тексті прототип, завдяки первинній семантиці якого виникло нове значення, напр.: *ветхий Адам, Содом і Гоморра* тощо.

Як уточнює А. Коваль, бібліїзм – це не лише вислів, а й слово, оскільки бібліоніми переважно є символічними власними назвами, які завдяки поглибленню їхньої символіки переходять в апелятиви²⁴⁷. Біблійні фразеологічні одиниці, крилаті вислови й слова, стійкі метафори та слова-символи є лаконічним засобом вираження ідей та уявлень людської

²⁴¹ Ахманова О. С. (1969). Словарь лингвистических терминов, с. 66.

²⁴² Солодухо Э. М. (1977). Вопросы сопоставительного изучения заимственной фразеологии, с. 31.

²⁴³ Гак В. Г. (1997). Особенности библейских фразеологизмов в русском языке (в сопоставлении с французскими библеизмами), с. 56.

²⁴⁴ Солодухо Э. М. (1977). Вопросы сопоставительного изучения заимственной фразеологии, с. 18.

²⁴⁵ Шулежкова С. Г. (1995). Крылатые выражения русского языка, их источники и развитие, с. 21.

²⁴⁶ Грановська Л. М. (2010). Словарь имен и крылатых выражений из Библии, с. 8.

²⁴⁷ Коваль А. П. (1975). Крилаті вислови в українській літературній мові, с. 6.

свідомості про довкілля. Зазначені мовні знаки конденсують складні образи й спричиняють виникнення у свідомості індивіда асоціацій, а тому є значущими репрезентантами української лінгвокультури.

Бібліїзм, як зазначає О. Юрченко, є одиницею інтегрованої семіотичної системи культурно-національної картини світу, і її сприймають як синтез форми та змісту, як концепт²⁴⁸. Культурно-маркована конотація бібліїзмів є результатом інтерпретації асоціативної образності такої одиниці внаслідок співвідношення її з домінуючими концептами тексту Біблії. За визначенням В. Маслової, «культурна конотація – це інтерпретація денотативного чи образно мотивованого аспектів значення в категоріях культури»²⁴⁹. Конотація вможливує реалізацію потенційних ресурсів номінативної системи мови, оскільки конотативні одиниці можуть не лише формувати, але й утримувати «глибинний» зміст, закріплювати його в мові.

Бібліїзм як своєрідна універсалія є конотативною одиницею мовної картини світу, яка, на думку О. Юрченко, сформована поєднанням компонентів трьох семіотичних систем – мови, що надає форму цій одиниці; релігії, яка наповнює її «заповітним» змістом, і національної культури як засобу маркування бібліїзмів національно зумовленим значенням²⁵⁰.

Бібліоніми як динамічна єдність лінгвістичного змісту, що є результатом взаємодії оніма з апелятивом, набули певного лексичного оформлення, зумовленого позалінгвальними чинниками. Ці одиниці по-особливому співвідносні з денотатом, без урахування чого неможливе дійсне оцінювання ані мовних явищ, ані лексичних одиниць. Такі власні назви можуть уживатися не так для номінації антропоніма чи топоніма, як для маніфестування емоційного оцінювання якостей людини чи географічної назви, що свідчить про можливість переходу таких онімів до розряду слів, у яких синтезовано номінативну й конотативну функції. Найефективнішою формою такого переходу є семантична трансформація, унаслідок чого онім функціює як складник стійких сполук – фразеологізмів.

Антропоніми й топоніми Книги Книг відмінні від інших власних назв тим, що вже є символом певних рис людини чи маркером подій. Вони відтворюють унікальні реалії, які не підлягають дескриптивній репрезентації. Оскільки символ – це знаряддя думки, то значна кількість онімів біблійного походження може бути і власне є вже символами з переосмисленим значенням, напр.: *Соломон* символізує мудрість; *Молох* – символ жорстокої неблаганної сили, що потребує людських жертв; *Хома* – символ недовіри, впертості; *Голгофа* символізує важкий шлях до певної мети; *Христос* – відкуплення від гріхів і спасіння тощо. Отже, усвідомлення зв'язку імені-символу із сутністю маркованої ним реалії можна аргументувати тим, що асоціації, істотні для сприймання символу, зумовлені не лише його денотатом, а й фізичною чи сенсорною формою власне символу як знака.

Отже, із усього загалу бібліїзмів завдяки елімінації одиниць лексико-фразеологічного рівня мовної системи виокремлюють лексичні, фразеологізовані та пареміологічні бібліїзми. Узагальнюючи наявні наукові позиції, констатуємо, що бібліїзм – це універсальна конотативна мовна одиниця із цілісним значенням, яка має переосмислений прототип зі Святого Писання. Для таких одиниць з онімним компонентом прототипами є старозаповітні й новозаповітні антропоніми чи топоніми. Ці одиниці можуть мати різний мовний вияв:

- 1) слова-символи як маркери внутрішніх та зовнішніх рис людини чи подій;

²⁴⁸ Юрченко Е. Н. (2007). Библейский символизм в культурно-национальных картинах мира, с. 54.

²⁴⁹ Маслова В. А. (2001). Лингвокультурология, с. 51.

²⁵⁰ Юрченко Е. Н. (2007). Библейский символизм в культурно-национальных картинах мира, с. 162.

2) біблійні фразеологізовані одиниці з поглибленою символікою. Бібліїзм як мовний феномен є недостатньо студійованим, що й зумовлює постійний науковий інтерес до окресленої проблеми.

Чимало мовознавців зазначають, що визначальною властивістю символу є власне образність, саме тому його треба усвідомлювати завдяки образу. Будь-який символ – образ, але будь-який образ не завжди можна вважати символом, а лише за певних умов. Істотною властивістю символу є його збалансованість щодо конкретних та абстрактних складових частин символічного змісту. Символ має надзвичайну здатність до внутрішнього природного зв'язку з тією реальією, яку він репрезентує. Конденсаційність символу вможливує здатність до інтеграції в певній формі, зокрема комплексу уявлень про окремі явища, зумовлені культурними чинниками, досвідом взаємовідношень індивіда й соціуму чи релігійними галузями буття. Визначення семантики символу ускладнене його конденсаційністю, архетипністю та багатозначністю.

Символіка – це один з найважливіших засобів усвідомлення буттєвих реальій, а біблійна насамперед об'єктивує релігійні уявлення в образних структурах, які моделюють їхню семантику як сконденсованих символічних знаків, що є закодованим маркуванням надприродного, осмисленням і переживанням вірянами вищих соціокультурних цінностей. Власне образність і всепрямуння на загальнолюдський узус надають символам психологічної привабливості й виповнювальної значущості. У сучасній лінгвокультурології деякі науковці застосовують дефініцію символа, яка представляє власне символ.

Дослідження В. Виноградова посприяли аналізу словесних символів у функційно-стилістичному аспекті. Їхньою особливістю, на думку мовознавця, є саме здатність спричиняти психічні асоціації звичайних слів, тобто символ набуває потенційної сили асоціюватися з певними образами й емоціями. Його потрактовують як «естетично оформлену й художньо локалізовану одиницю мовлення...»²⁵¹.

Емоційність вважають найвиразнішим компонентом експресивності, і звичайно вона є основним складником семантичної структури категорії експресивності як засобу впливу на реципієнта. Оцінністю зумовлене позитивне чи негативне ставлення мовця до певної реальії. Інтенсивність та образність постулюють як своєрідні підсилювачі інших різновидів мовної інформації, наприклад, ці семантичні компоненти підвищують значущість оцінного потенціалу слова, є одним зі способів реалізації лексичного значення завдяки співвідношенню досліджуваного явища з конкретним матеріальним предметом за їхніми спільними ознаками²⁵²[14, с. 6].

Символьне значення – це синтез його сигніфікативного й денотативного компонентів. Сигніфікативний закріплено за словом як одиницею мови, а денотативний маркує слово на рівні мовлення. Сигніфікативний компонент символічного значення є концептом, тобто культурно значущим для певного соціуму поняттям у системі концептосфери. Денотативний відбиває як основні, так і додаткові характеристики цього концепту в мовленні переважно поза межами його структурних взаємозв'язків з іншими концептами. Констатуючи своєрідність символічного значення, дослідники визнають, що воно не зумовлене первинним значенням, його виникнення спричиняють позалінгвальні чинники, що й констатує О. Шелестюк, зазначаючи: «Еволюція мислення навколо відповідних понять призводить до інтеграції «символічних» сем, які містять основні міфологічні уявлення і формують своєрідні нашарування змістів – «символічну ауру», яка має давнє, архетипне походження; зумовлена

²⁵¹ Виноградов В. В. (1976). О поэзии Анны Ахматовой: стилистические наброски, 373 с.

²⁵² Мороз В. Я. (1997). Називний уявлення як функціональна і граматична категорія в сучасній українській літературній мові, с. 6.

стереотипними для певної культури асоціаціями...»²⁵³. Давню символну ауру й досі усвідомлюють мовці, а її наявність засвідчують міфологічна й етимологічна реконструкції. Проте усвідомлювати семантику символу можуть не всі мовці, а через недостатність знань вона може бути навіть трансформована. Знання лексичного тла символу має неабияке значення для усвідомлення семантики слів як його маркерів.

Отже, окрім символного значення, таким словам притаманне й символне тло, тобто його інформаційний супровід. Вочевидь, символні номени мають, окрім лексичних, денотативно-сигніфікативних і конотативних особливостей, ще й символну компетенцію, найзначущішу, оскільки саме символам притаманна функція безпосереднього механізму пам'яті культури певного етносу. Вони – підґрунтя виникнення стійких асоціацій духовно-матеріальних реалій етносу. Символізувалися насамперед провідні концепти культурного континууму. На думку О. Левченко, «... концептосфера й симболарій української культури неминуче перетинаються, по-перше, зі слов'янськими язичницькими уявленнями, по-друге, на формування ієрархії українських морально-етичних цінностей величезний вплив мало християнство, по-третє, фундаментальний шар символіки складають архетипні символи й символи, притаманні європейській культурі, що не заперечує особливостей реалізації тих же архетипів, вербалізації концептів»²⁵⁴.

Символи, якими наповнені Біблійні тексти, завдяки експресивно-оцінній семантиці сприяють окресленню кола ціннісних орієнтирів вірян, а тексти Святого Письма є найяскравішим прикладом прецедентного тексту. Здатність функціонування онімів як прецедентів засвідчує семантичну тотожність понять *концепт* і *символ* за умови розширення сфери використання й культурної значущості останнього.

Емоційно-експресивне забарвлення біблійних антропонімів і топонімів залежить від символних конотацій. Аналіз додаткових експресивних значень цих одиниць сприяє окресленню позитивних чи негативних конотативних значень. Особливість відантропонімних і відтопонімних символем визначає процес переходу імені власного до вторинного стану імені-символу. Такі номени маніфестують значеннєві потенції, репрезентуючи власною внутрішньою формою, метафорикою, асоціаціями особливості епохи, яку транслює мовець, взаємодіючи із соціумом.

Отже, символемою називають – складну одиницю лінгвокультурології, підґрунтям виникнення якої і є процеси пізнання та інтерпретації світу, диференціації його реалій, структурування знань, психологічного самозахисту та регулювання комунікації. Оприявлення семантики таких одиниць уможливають засоби символічної, а не мовної систем.

Біблійна символема *Адам* є широковідомою у творчості зарубіжних й українських музикантів. Семантично номен *Адам* зображає роль прабатька людського роду, який втратив Рай. Але у контексті бібліїзм наділений розмаїттям образів. Наприклад українські піснетворці тлумачать бібліонім через призму ідей Книги Книг репрезентуючи номену символ першолюдини світу. Наприклад: «*Таємниця серця – найстаріша тема, Бо її вже знали Адам і Єва. Я тебе кохаю, ти мене кохаєш – От і вся проблема...*» (Віктор Павлік «Пані & пан»). «*Рай нікому не віддам. Єва – ти, а я – Адам. Ми на цілий світ одні. Вічно рай даруй мені*» (Володимир Гуменчук і Наталя Мельник «Рай»). Польський гурт «*Closterkeller*» надає бібліоніму символне навантаження перворідного гріха. Саме цей гріх згодом став початком для всіх наступних гріхів у людях. Замість того, щоб набути досконалості, рівної Божій, вийшло навпаки, розум затьмарився, їх стало гризти сумління, і *Адам* і *Єва* позбавилися душевного спокою. Усе це сталося тому, що вони пізнали добро і зло супроти волі Божої –

²⁵³ Шелестюк Е. В. (2001). Символ versus троп: сравнительный анализ семантики, с. 140.

²⁵⁴ Левченко О. П. (2007). Символи у фразеологічних системах української та російської мов: лінгвокультурологічний аспект, с. 203.

через гріх. Гріх настільки змінив людей, що, коли вони почули голос Бога в раю, то від страху та сорому сховалися між деревами, одразу забувши, що від усюдисущого і всевідаючого Бога неможливо щось і десь приховати. Так усякий гріх віддаляє людей від Бога. Пор.: «*Єва і Адам, змія співає, а яблуко грає. Єва і Адам під ялинкою. Адам відкинув яблуко і кричить щось, але я знаю я жінка, і я відчуваю свою силу – Ewa i Adam, wż, piewa a jabłko gra. Ewa i Adam pod drzewem. Adam jabłko odpycha I krzyczy co, lecz wiem Jestem kobietś i czuję swojś siłę*» (Closterkeller «Ewa i Adam»).

Бібліоніми Адам і Єва рідко вживаються поокремо, бо вони взаємопов'язані. Номен Єва постає символом першої жінки, дружини Адама і праматір'ю. Її ім'я, як тлумачить Святе Письмо, означає «життя»: «бо вона була мати всіх живих». Опис створення її з ребра Адама підкреслює тотожність людськості жінки і чоловіка. Українські музиканти репрезентують Єви – символ першолюдини світу. Наприклад: «*Таємниця серця – найстаріша тема, Бо її вже знали Адам і Єва. Я тебе кохаю, ти мене кохаєш – От і вся проблема...*» (Віктор Павлік «Пані & пан»). «*Рай нікому не віддам. Єва – ти, а я – Адам. Ми на цілий світ одні. Вічно рай даруй мені*» (Володимир Гуменчук і Наталя Мельник «Рай»). Серед польських піснетворців існує різностороннє бачення бібліїзму. Наприклад, польський гурт «Czerwone Gitary» надає номену символізації найгарнішої жінки у світі. Вони звеличують образ Єви співвідносячи кохану жінку до божественного образу першої людини. Пор.: «*Всі знають, що ти одна з тих Єв, що найчарівніші і прекрасні – Wszyscy wiedzą, że jesteś jedną z Ew, Tych najmiłszych i na medal*» (Czerwone Gitary «Nikt na świecie nie wie» – «Ніхто у світі не знає»). В той ж час, гурт «Closterkeller» надає бібліоніму символічне навантаження перворідного гріха. Спокушена сатаною, Єва скоїла гріх, спричинивши цим духовне і й буттєве нещастя. Гріх і кара не перекреслили укладеного у Божому благословенні дару передання життя, хоч і призвели до страждання й тяжкої праці. Пор.: «*Єва і Адам, змія співає, а яблуко грає. Єва і Адам під ялинкою. Адам відкинув яблуко і кричить щось, але я знаю я жінка, і я відчуваю свою силу – Ewa i Adam, wż, piewa a jabłko gra. Ewa i Adam pod drzewem. Adam jabłko odpycha I krzyczy co, lecz wiem Jestem kobietś i czuję swojś siłę*» (Closterkeller «Ewa i Adam»).

Символічна одиниця Мадонна є символом покірності Божій волі та істинній материнській любові. Мадонна (Богородиця, Діва Марія) – у християнстві мати Ісуса Христа. Одна з центральних постатей європейської та світової культури. Польські та українські музиканти одностайно інтегрують номен у тексти пісень, використовуючи образ Божої Матері як маніфест любові та Божої благодаті. Наприклад: «*Нехай буде Мадонна в Україні, А я віддам любов своїй дівчині!*» (Ruga «Мадонна»). «*Мадонна йде. Немов свята. Повільно. До Голгофи йде і гомонить з собою, а голос впадає брязкотом кайданів*» (Тінь сонця «Наша Мадонна»). Пор.: «*Сьогодні, коли навколо нас занепокоєння, Де людина може шукати притулок, Куди йти, якщо не до матері, Хто дасть розраду? Отже, дозвольте нам, о Мадонна, Подивися на Своїх дітей I слухай, як ми співаємо, благаючи Тебе ... – Dziś, gdy wokół nas niepokój, Gdzie się człowiek schronić ma, Gdzie ma pójść, jak nie do Matki, Która ukojenie da? Więc błagamy, o Madonno, Skieruj wzrok na dzieci swe I wysłuchaj, jak śpiewamy prosząc Cię...*» (Christian Hymns & Songs «Чорна Мадонна»).

Номен Іуда використовують багато піснетворців. Біблійний образ Іуди став символом зрадництва й запродавства. У контексті бібліонім маніфестує гріх, успадкований від сатани, оприявляє смертний вирок тим, хто ігнорує закони Всевишнього. Зарубіжні й українські піснетворці ототожнюють символічне навантаження бібліїзму. Наприклад: «*Земля стікає кров'ю, нанизана на вісь, I підступа Іуда до райських до воріт*» (Марія Бурмака «Некопані криниці»). «*Не знав і я, Що стану твоїм Юдою*» (Найда Ілля «А ти була»). Пор.: «*Я був свідком того, як упав клан Іуди, Я дивився, як дванадцять учнів згоріли у вогні; Труби в свої труби, Гавриїл! * Так як я побачив паніку в Едемі, Розламай хліб і залиш слід з хлібних крихт провідний в лігво Левіафана ...; Дозволимо ж, вину Содому * наповнити наші роти Слава!*

*Слава! Дозволимо ж гріху Гоморра * благословити наші серця»* (Behemoth « Труби в свої труби, Гавриїл!»).

Наразі сучасні поети та музиканти використовують символами в такому значенні, у якому вони закріплені в Біблії, та в трансформованому вигляді. Це стосується не тільки українських, а й зарубіжних авторів. Сучасні соціокультурні цінності, світоглядні переконання і суспільно-політичні проблеми впливають на застосування біблійних символів з онімним компонентом у музиці, найпоширенішими серед яких є: *Рай, Голгофа, Едем, Вавилон, Содом, армагеддон, земля обітована, Бог, Адам, Єва, Мадонна, Іуда*, тощо. Зокрема польські поети та музиканти до своєї піснетворчості залучають саме такі біблійні символи.

Отже, на сьогодні досить актуальною є зазначена лінгвокультурологічна проблема. У роки економічних криз, політичних проблем та війн суспільство, як ніколи, звертається до Біблії. Сучасні поети та музиканти також не лишаються осторонь, гостро реагуючи на реалії дійсності.

Література:

1. Ахманова О. С. (1969). Словарь лингвистических терминов [2-е. изд.]. М.: Советская энциклопедия, 1969. – 607 с.
2. Варзонин Ю. Н. (1998). Теоретические основы риторики. Тверь: Издательство ТвГУ, 1998. 120 с.
3. Виноградов В. В. (1976). О поэзии Анны Ахматовой: стилистические наброски // Поэтика русской литературы. М.: Наука, 1976. 165 с.
4. Гак В. Г. (1997). Особенности библейских фразеологизмов в русском языке (в сопоставлении с французскими библеизмами) // Вопросы языкознания. 1997. № 5. С. 53-56.
5. Грановская Л. М. (2010). Словарь имен и крылатых выражений из Библии: около 400 имен; более 300 крылатых выражений. 2-е изд., испр. и доп. М.: ООО „Издательство АСТ”, ООО «Издательство Астрель» 2010. 383 с.
6. Зеньковский В. (1992). Апологетика. Рига: Рижская епархия, 1992. 260 с.
7. Караулов Ю. Н. (1987). Русский язык и языковая личность. М.: Наука, 1987. 262 с.
8. Коваль А. П. (1975). Крылаті вислови в українській літературній мові. К.: Вища школа, 1975. 336 с.
9. Костомаров В. Г. (1996). Язык как творчество. К 70-летию В. Г. Григорьева: сб. науч. трудов. М.: ИРЯ РАН, 1996. С. 297-302.
10. Красных В. В. (2002). Этнопсихоллингвистика и лингвокультурология. М.: ИТДГК „Гнозис”, 2002. 284 с.
11. Левченко О. П. (2007). Символи у фразеологічних системах української та російської мов: лінгвокультурологічний аспект: дис. ... доктора філол. наук: 10.02.01; 10.02.02. Львів, 2007. 443 с.
12. Лотман Ю. М. (1987). Символ в системе культуры. Труды по знаковым системам. Учёные записки Тартуского государственного университета. Тарту: ТГУ, 1987. 145 с.
13. Маслова В. А. (2001). Лингвокультурология: учебное пособие для студентов высших учебных заведений. М.: Издательский центр «Академия», 2001. 208 с.
14. Мороз В. Я. (1997). Називний уявлення як функціональна і граматична категорія в сучасній українській літературній мові: автореф. дис. на здобуття наук. ступеня канд. філол. наук: 10.02.01 «Українська мова». Дніпропетровськ, 1997. 23 с.
15. Слышкин Г. Г. (2000). От текста к символу. Лингвокультурные концепты прецедентных текстов в сознании и дискурсе. М.: Academia, 2000. 128 с.
16. Солодухо Э. М. (1977). Вопросы сопоставительного изучения заимственной фразеологии. Казань: Издательство Казанского университета, 1977. 159 с.
17. Ханский А. О. (2001). Вербальное утешение. Тверь: ГЕРС, 2001. 80 с.
18. Шелестюк Е. В. (2001). Символ versus троп: сравнительный анализ семантики. Филологические науки. 2001. № 6. С. 50-58.
19. Шулежкова С. Г. (1995). Крылатые выражения русского языка, их источники и развитие. Челябинск: Факел, 1995. 222 с.
20. Юрченко Е. Н. (2007). Библиейский символизм в культурно-национальных картинах мира: опыт сравнительного анализа: дисс. ... канд. филос. наук: 09.00.04. Х., 2007. 230 с.

2.12. Interdepartmental projects in the conditions of education content integration: experience of the A. S. Makarenko Sumy State Pedagogical University

2.12. Міжкафедральні проекти в умовах інтеграції змісту освіти: досвід Сумського ДПУ імені А. С. Макаренка

Постановка проблеми. Необхідність формування ключових компетентностей учнів, а також потреба більш тісної комунікативної взаємодії університету та школи актуалізують проблему вдосконалення професійної підготовки майбутніх учителів різних предметів. Заклади середньої освіти усе більшою мірою потребують учителів, які прагнуть до розвитку творчого потенціалу особистості, проектують навчальні заняття, створюючи атмосферу дослідницько-пізнавальної співпраці. Забезпечити освітню, освітньо-консультативну, інформаційно-дидактичну, дослідницьку підтримку формування й удосконалення ключових компетентностей майбутніх учителів в умовах міждисциплінарного освітнього середовища на засадах цінностей педагогіки партнерства і наставництва в університетах дозволяють міжкафедральні проекти.

Аналіз актуальних досліджень. Як показує проведений аналіз законодавчо-нормативних, наукових джерел, до основних передумов становлення нової української школи фахівці відносять інтегрованість змісту освіти на основі ключових компетентностей, упровадження інноваційних методик навчання, педагогіку партнерства учня і вчителя, сучасне освітнє середовище, що базується на ІКТ, цифрову гуманітаристику.

Вивчення результатів проекту Тюнінг (Tuning Europe, 2017)²⁵⁵, рекомендацій Рамкової програми оновлених ключових компетентностей для навчання протягом життя, концептуальних ідей Нової української школи дають підстави говорити про важливість освітньої підготовки молоді на засадах компетентнісного підходу в умовах інтеграції різних сфер життєдіяльності.

Зокрема, проектом Тюнінг (Tuning Europe, 2017) було передбачено визначення важливих загальних, інтегральних, фахових компетентностей фахівців на основі анкетування випускників і роботодавців окремої галузі. Респондентами були відзначені такі компетентності: здатність до розв'язання проблем, до навчання; здатність працювати як самостійно, так і в команді; здатність застосовувати знання на практиці; здатність пристосовуватись до нових ситуацій; здатність досягати успіху; здатність породжувати нові ідеї (креативність); здатність до критики та самокритики; навички управління інформацією; елементарні комп'ютерні навички; міжособистісні навички та уміння; усне і письмове спілкування рідною мовою; здатність до взаємодії (робота в міждисциплінарній команді) та прийняття рішень; здатність спілкуватися з експертами з інших галузей.

У Рамковій програмі оновлених ключових компетентностей для навчання протягом життя, схваленій Європейським парламентом і Радою Європейського Союзу (2018)²⁵⁶ теж акцентовано увагу на компетентностях, необхідних для розширення можливостей працевлаштування: грамотність (Literacy competence), мовну (Languages competence), математичну та компетентність у науках, технологіях та інженерії (Mathematical competence and competence in science, technology and engineering), цифрова (Digital competence), особиста, соціальна, навчальна (Personal, social and learning competence), громадянська (Civic

²⁵⁵ Turning Education Structures in Europe [Electronic resource]. URL: <http://tuning.unideusto.org> (Last accessed: 23. 11. 2017).

²⁵⁶ ANNEX to the Proposal for a Council Recommendation on Key Competences for Lifelong Learning. URL: <https://ec.europa.eu/education/sites/education/files/annexrecommendation-key-competences-lifelong-learning.pdf>.

competence), підприємницька компетентності (Entrepreneurship competence), компетентність культурної обізнаності та самовираження (Cultural awareness and expression competence).

У Концепції нової української школи (2016)²⁵⁷ визначено ключові компетентності учнівської молоді, серед яких: здатність учнів засобами української мови успішно взаємодіяти у процесі розв'язання типових для віку життєвих проблем; здатність і внутрішня потреба самостійно здобувати знання і формувати вміння відповідно до поставлених цілей з метою самовдосконалення й самореалізації; спроможність особистості застосовувати математичні вміння в реальному житті, працювати з числовою інформацією; здатність орієнтуватися в інформаційному просторі, володіти й оперувати інформацією відповідно до потреб, застосовувати ІКТ у навчанні й повсякденному житті, знаходити, опрацьовувати і систематизувати інформацію; здатність бути відкритими до інновацій, реалізувати себе в мінливому технологічному, життєвому, навчальному й трудовому середовищі; здатність розуміти навколишнє інформаційне середовище, критично аналізувати необхідну інформацію, трансформувати, зберігати та транслювати її й діяти відповідно до своїх цілей і прийнятої в суспільстві комунікаційної етики; здатність планувати, самоорганізовуватися й організовувати підприємницьку діяльність, утілювати ідеї у сферу економічного життя, розв'язувати конфліктні ситуації, приймати рішення, брати на себе відповідальність, формувати моделі поведінки, необхідні для успішного розв'язання нагальних виробничих проблем; здатність виявляти активну життєву позицію в питаннях захисту довкілля і дотримуватися здорового способу життя й пропагувати його; усвідомлення громадянської повинності й відповідальності, здатність до реалізації громадянських прав і обов'язків; здатність усвідомлено сприймати надбання культури як цінність, аналізувати й оцінювати досягнення національної та світової культури, орієнтуватися в культурному та духовному контексті сучасного суспільства, застосовувати традиційні для культури українського народу методи самовиховання. Зазначене вимагає відповідної, але випереджувальної, підготовки конкурентоздатних фахівців у закладах вищої педагогічної освіти і може бути реалізованим лише за умови інтеграції різних галузей знань на засадах міжкафедральної взаємодії. Це обумовлює потребу у створенні і реалізації міждисциплінарних проектів випускових кафедр закладів вищої педагогічної освіти.

Мета статті: висвітлити специфіку організації та окремі результати міждисциплінарних проектів кафедр інформатики та української мови і літератури Сумського державного педагогічного університету імені А. С. Макаренка.

Реалізація проектів ґрунтується на ідеях та положеннях міжнародних документів, зокрема рекомендацій ЮНЕСКО «Цифрова грамотність в освіті» (2011) щодо вивчення закономірностей передачі та сприймання освітнього досвіду у фізичній і віртуальній реальностях на основі використання цифрових технологій. Фундаментальною основою дослідження слугують теоретико-методичні напрацювання дослідників у галузі інформаційних технологій (В. Биков, М. Жалдак, Т. Коваль, Є. Машбиць, Н. Морзе, О. Спирін та ін.), електронної лінгвометодики та лінгводидактики (О. Гарцев, В. Бадер, С. Данилюк, Г. Корицька, О. Кучерук, І. Хижняк та ін.).

Виклад основного матеріалу. Розглянемо специфіку організації та окремих результатів міждисциплінарних проектів кафедр інформатики, української мови і літератури Сумського державного педагогічного університету імені А. С. Макаренка.

Головними напрямками міжкафедральних проектів визначено фахово-методичний, дослідницький та культурно-освітній. Зазначені напрями співпраці відповідають не лише законодавству України («Про освіту» (2017), «Про вищу освіту» (2014), «Про професійний

²⁵⁷ Нова українська школа [Електронний ресурс] – Режим доступу: <http://mon.gov.ua/%D0%9D%D0%BE%D0%B2%D0%B8%D0%BD%D0%B8%202016/08/17/mon.pdf>.

розвиток працівників» (2012), Концепції «Нова українська школа» (2016), Концепції розвитку педагогічної освіти (2018); Концепції мовної освіти (2011), Концепції профільного навчання у старшій школі (2013), документами Департаменту освіти і науки м. Суми щодо якісної підготовки суб'єктів дослідницького навчання, здатних до неперервного професійного та особистісного розвитку), а й потребам ринку праці та Стратегічному плану-концепції інноваційного розвитку Сумського ДПУ імені А. С. Макаренка до 2020 р.²⁵⁸

Кафедрами інформатики та української мови і літератури Сумського державного педагогічного університету імені А. С. Макаренка започатковано проект «Інтегральна компетентність учителя Нової української школи», покликаний, зокрема, сприяти формуванню ключових компетентностей у майбутніх учителів різних предметів, а також удосконаленню ключових компетентностей у вчителів, які працюють.

Поточні результати проекту систематично розглядають на науково-методичних семінарах «Використання ІТ в освіті» та «Академічна культура дослідника». Ідеться, зокрема, про:

- інформаційно-цифрову компетентність – учитель з успішно сформованою інформаційно-цифровою компетентністю критично оцінює переваги й ризики використання інформаційних технологій для себе, суспільства, довкілля та сталого розвитку; знаходить, аналізує, узагальнює, логічно організовує дані з використанням цифрових пристроїв для створення інформаційної моделі об'єктів та процесів реального світу; створює інформаційні продукти, працюючи індивідуально або у співпраці з іншими; відповідально, з урахуванням етичних, суспільних, культурних та правових норм оперує інформаційними й комунікаційними технологіями для спілкування і співпраці як творець та (або) споживач²⁵⁹;

- професійну мовно-мовленнєву компетентність – інтегральну соціально значущу особистісну якісну характеристику вчителя, що поєднує ціннісні установки, прагнення до мовно-мовленнєвого розвитку і саморозвитку, функціональні мовні, мовленнєві, лінгвістичні знання, професійні мовно-мовленнєві уміння, уміння вербальної та невербальної комунікації, навички, здібності, які забезпечують діалогову взаємодію із суб'єктами освітнього процесу й ефективно вирішення професійних завдань з формування мовної особистості;

- математичну компетентність – інтегральну характеристику особистості, засновану на сукупності математичних знань, умінь, навичок та досвіді, здобутих в процесі вивчення математичних дисциплін, яка виявляється в здатності та готовності фахівця до застосування математичних знань та математичного інструментарію в професійній діяльності з метою ефективного її здійснення.

Детально про шляхи формування зазначених компетентностей описано у роботах аспірантів Кожемякіної І. В.²⁶⁰, Білошапки Н. М.²⁶¹, Чкани Я. О.²⁶²

²⁵⁸ Стратегічний план-концепція інноваційного розвитку Сумського ДПУ імені А. С. Макаренка до 2020 р. / https://sspu.sumy.ua/images/files/doc_files/2016/strategiya_fina_1_sumdpu_2020_1274036880.doc.

²⁵⁹ Нова українська школа [Електронний ресурс] – Режим доступу:

<http://mon.gov.ua/%D0%9D%D0%BE%D0%B2%D0%B8%D0%BD%D0%B8%202016/08/17/mon.pdf>.

²⁶⁰ Кожемякіної І. В. Розвиток професійної мовно-мовленнєвої компетентності вчителя початкових класів у системі післядипломної освіти. – Кваліфікаційна наукова праця на правах рукопису. Дисертація на здобуття наукового ступеня кандидата педагогічних наук (доктора філософії) за спеціальністю 13.00.04 «Теорія і методика професійної освіти». – Інститут педагогічної освіти і освіти дорослих Національної академії педагогічних наук України, Київ; Сумський державний педагогічний університет імені А. С. Макаренка, Суми, 2019. [Електронний ресурс] – Режим доступу

https://drive.google.com/file/d/1ZbJt-jMQVcq1FDjY4PPRMv8uvOBIDXO_/view.

²⁶¹ Білошапка Н. М. Формування у майбутніх учителів математики вмінь використовувати засоби комп'ютерної візуалізації у професійній діяльності. – Кваліфікаційна наукова праця на правах рукопису. Дисертація на здобуття наукового ступеня кандидата педагогічних наук (доктора філософії) за спеціальністю 13.00.04 «Теорія і

Міждисциплінарні проекти кафедр інформатики та української мови і літератури торкаються питань і наукової термінології. Зокрема, при виконанні проекту «Формування академічної культури майбутнього педагога-дослідника у цифровому творчому середовищі» були визначені такі базові поняття, як «цифрове творче середовище», «міждисциплінарне освітнє середовище»; «комунікативна взаємодія «університет – школа», «професійний розвиток педагога».

Вивчення специфіки формування академічної культури здійснюється крізь призму кількох аспектів. Лінгвокультурологічний аспект відповідає меті діяльності науково-дослідної лабораторії з академічної культури (складова ресурсного центру) і характеризує стан формування структурно-функціональних складників і проявів академічної культури майбутнього педагога-дослідника в контексті лінгвістичної генеалогії наукової комунікації і теорії мовної особистості. Реалізація когнітивного і креативно-технологічного аспектів дослідження відповідає завданням науково-дослідної роботи кафедри інформатики. Когнітивний аспект розглядаємо з позицій теорії пізнання, теорій творчості, передбачаємо обґрунтування потреби у створенні такого творчого середовища для формування креативно-творчого мислення майбутнього педагога-дослідника, невід'ємним складником якого є культура розумової праці. Креативно-технологічний підхід зумовлений надшвидким розвитком інформаційних технологій, поширенням технологій електронного, мобільного, змішаного і повсюдного навчання, активним використанням цифрових освітніх ресурсів у глобалізованому світі. Його вплив на формування академічної культури майбутніх педагогів полягає у створенні середовища, наповненого мультимедійним контентом, де провідну роль відіграватимуть засоби когнітивної візуалізації знань для забезпечення інтенсифікації освітнього процесу.²⁶³

Цифрове творче середовище визначено дослідникамияк таке навчальне середовище, що передбачає цілеспрямоване використання в освітньому процесі засобів, технологій та інформаційних ресурсів, що уможливають творчий розвиток особистості, творче самовираження засобами цифрових технологій, інтегруючи інформаційно-комунікаційні технології, інтелектуальні системи, людську сенситивність і контекстуальний досвід науково-педагогічної діяльності.

Учитель має володіти культурою критично-творчого мислення, дослідницької праці в умовах цифрового творчого середовища; уміти переосмислити наявне та створити нове цілісне знання та / або професійну практику, організувати власну навчально-дослідницьку та комунікативну діяльність, реалізовувати конкурентні освітні проекти, у тому числі засобами цифрових технологій; вільно володіти професійними когнітивно-дискурсивними вміннями діалогового спілкування з науковою спільнотою, зокрема у межах міждисциплінарного та / або міжнародного експертного середовища.

Поняття «міждисциплінарне освітнє середовище» представлено як багатосуб'єктне та багатопредметне утворення, що цілеспрямовано впливає на професійний та особистісний

методика професійної освіти». – Сумський державний педагогічний університет імені А. С. Макаренка, Суми, 2018.] [Електронний ресурс] – Режим доступу

<https://drive.google.com/file/d/19QAFewO2Cdjnsg8NbbhJQs7CYRblv7U/view>.

²⁶² Чкана Я. О. Формування математичної компетентності майбутніх учителів фізико-математичних спеціальностей у фаховій підготовці. – Кваліфікаційна наукова праця на правах рукопису. Дисертація на здобуття наукового ступеня кандидата педагогічних наук за спеціальністю 13.00.04 – теорія і методика професійної освіти. – Сумський державний педагогічний університет імені А. С. Макаренка. – Суми, 2018. [Електронний ресурс] – Режим доступу

https://drive.google.com/file/d/1-33fO0yk0bbww0WUqVfoGvMU06ewkb_T/view.

²⁶³ Semenoh O. Formation of The Teacher-Researcher Academic Culture in a Digital Creative Environment / Semenoh O., Semenikhina O., Bezuhlyi D. // Information Technologies and Learning Tools. 2017. Т. 62. № 6. pp. 240-251 <https://journal.iitta.gov.ua/index.php/itlt/article/view/1917>.

розвиток фахівця, забезпечуючи його готовність до професійної діяльності та / або продовження навчання, успішного виконання соціальних ролей та самореалізації у процесі життєдіяльності. Комунікативна взаємодія «університет – школа» характеризується нами як інтерактивна діяльність, спрямована на особистісний і професійний розвиток суб'єктів освітнього процесу.

Поняття «професійний розвиток педагога» передбачає його саморозвиток і самореалізацію впродовж усього життя як актуальних соціально-культурних пріоритетів та смислів²⁶⁴.

Створення у 2018 році ресурсного центру професійного розвитку вчителя української мови і літератури (далі – Центр), діяльність якого підтримується електронними матеріалами на сайті університету, сприяла поширенню результатів роботи серед освітян.

Мета Центру – надавати освітньо-консультативну, інформаційно-дидактичну, дослідницьку підтримку вдосконалення ключових компетентностей майбутніх / працюючих учителів в умовах міждисциплінарного цифрового творчого освітнього середовища. Технічне забезпечення діяльності центру здійснює лабораторія використання інформаційних технологій в освіті.

Положення про ресурсний центр професійного розвитку вчителя української мови і літератури; паспорт, програму діяльності затверджено вченою радою СумДПУ імені А. С.Макаренка 27 грудня 2018 року (протокол № 5); наказом № 558 ректора СумДПУ імені А. С.Макаренка 27 грудня 2018 року. Працює сторінка ресурсного центру на сайті СумДПУ імені А. С. Макаренка (<http://rctpd.sspu.edu.ua/>); сторінка в соціальній мережі – <https://www.facebook.com/groups/738691996506908/> (Рис. 1а-1в).

Модель діяльності Центру ураховує принципи: особистісного розвитку (забезпечити умови для розвитку інтересів, прагнень, мотивації до самопізнання і саморозвитку кожного студента), міжпредметної інтеграції(дозволяє запропонувати учителям інтегровані теми з цифрової гуманітаристики, візуальної культури); інтерактивності (спонукає до співнавчання, взаємонавчання), принцип наочності (забезпечується завдяки інтеграції когнітивного і візуального підходів у навчанні, засобами комп'ютерної візуалізації).



Рис. 1а

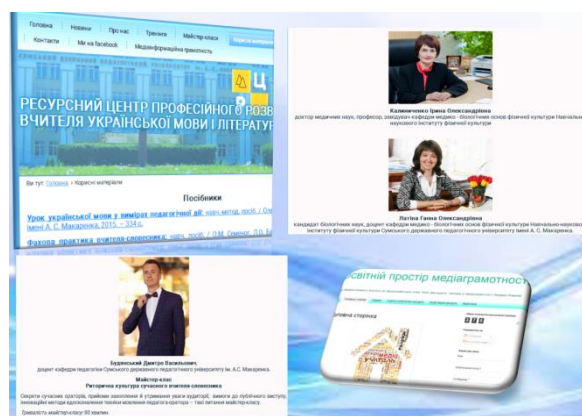


Рис. 1б

²⁶⁴ Професійний розвиток педагогічних, науково-педагогічних працівників і керівників закладів освіти галузі знань 01 «Освіта» у системі підвищення кваліфікації: збірник освітньо-професійних програм: у 2-х ч. Ч. 1 / наукова ред., упорядкування В. В. Сидоренко, Я. Л. Швень. К.: Агроосвіта, 2019. 252 с.

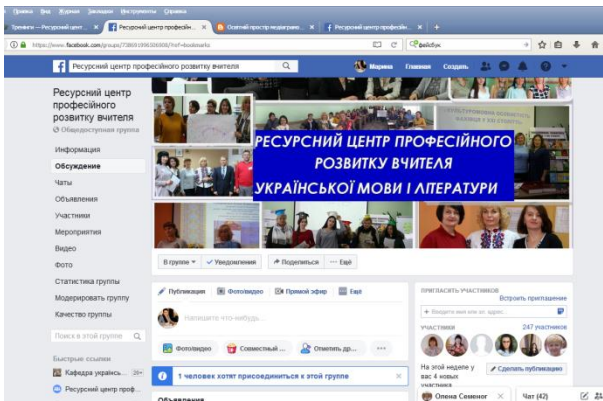


Рис. 16



Рис. 17

Актуальність і важливість створення такого Центру додатково була підтверджена результатами ЗНО з української мови і літератури, яке проводилося 24 травня 2018 року для 323 358 осіб (97,1 % від загальної кількості зареєстрованих на ЗНО) і яке підтвердило, що 65% тестованих не вміють вправно сформулювати свою позицію щодо запропонованого дискусійного питання, підтвердити її доречними аргументами не може 71% учасників тестування. У половині робіт – серйозні порушення логічності, послідовності й несуперечливості викладу (65,24%). Мовленнєву вправність власних висловлювань здебільшого оцінено в 0 або 1 бал із чотирьох можливих, що свідчить про доволі низький рівень опанування орфографічних, пунктуаційних, лексичних, граматичних і стилістичних норм української мови.

Освітньо-консультативна підтримка здійснюється через соціальні мережі, зокрема, FaceBook (<https://www.facebook.com/groups/738691996506908/>).

Інформаційно-методична підтримка організована через добір навчального змісту для тренінгів з урахуванням таких дидактичних і методичних принципів: соціальної доцільності (засвоєний навчальний матеріал і сформовані на його основі вміння й навички зумовлені системою соціальних цінностей і очікувань); взаємозв'язку навчання, виховання і розвитку (наявність у змісті елементів, що забезпечують гармонійну реалізацію загальноосвітніх і предметних завдань); демократизації й гуманізації (забезпечення суб'єкт-суб'єктних стосунків між учителем і учнями); детермінації (налагодження зв'язків предмета з попереднім досвідом учнів, прогнозування майбутніх успіхів); єдності теорії й практики (засвоєний навчальний матеріал, сформовані вміння й навички мають прикладний характер, можливість застосування не лише у сфері навчальної діяльності, а й професійній та особистісній).

На виконання завдань у межах центру працюють дві лабораторії. Науково-дослідна лабораторія «Академічна культура дослідника» спільно із Загальноукраїнським центром словникарства Українського мовно-інформаційного фонду НАН України виконує проект «Словникова культура дослідника», а спільно із Сумським територіальним відділенням Малої академії наук України – проект «Основи академічної/наукової мовної культури» для вчителів, керівників робіт слухачів МАН».

Також передбачено проведення інтерактивних лекцій, міждисциплінарних тренінгів, майстер-класів з актуальних освітніх технологій, у тому числі щодо використання когнітивно-візуального підходу. Зокрема, у співпраці з інформаційно-методичним центром управління освіти і науки Сумської міської ради (кер. – Закорко Вікторія Вікторівна) систематично проводимо майстер-класи. Зокрема, 16-17 травня 2019 року було проведено майстер-класи «Візуалізація як один із засобів підвищення якості мовно-літературної освіти». Описані результати обумовили ще один напрям досліджень міжкафедральних проектів – вивчення

проблеми формування академічної культури педагога-дослідника у різних її проявах, серед яких – формування умінь візуалізувати навчальний матеріал.

За цим напрямом міжкафедрального проекту вивчали думку вчителів-словесників, вчителів математики, фізики та інформатики Сумської області щодо особливостей роботи молоді з навчальним матеріалом. Було встановлено, що суб'єкти учіння часто відмовляються читати довгі тексти, які для ока є одноманітними. Водночас візуалізація навчальної інформації, за якої візуальна модель набуває статусу повноцінної інформаційної одиниці, сприяє інтенсифікації навчання, активізації навчальної та пізнавальної діяльності, формуванню і розвитку критичного та візуального мислення, культури комунікації та візуальної культури. Наведені суперечності обумовили доцільність інтеграції комп'ютерних технологій, технологій унаочнення та полісенсорного подання навчального матеріалу, яка реалізується на основі формування умінь майбутніх учителів працювати з візуальними моделями знань (розробляти, створювати їх віртуальні аналоги, модифікувати).

Під час роботи над проектом було підтверджено, що візуалізація наразі є засобом комунікації, значення якого постійно трансформується. Стратегія сучасного навчального закладу спрямована на надання якісних освітніх послуг, а тому в умовах інтенсивного розвитку ІТ виникає потреба специфічного, полісенсорного, подання навчального матеріалу, яке базується на тріаді «текст – образ – схема» і є потужним засобом активізації мислення молоді. Сприйняття наочного образу як одиниці навчальної інформації обумовлює потребу осмислення в концептуальному, методологічному, понятійному плані процесу формування особливого особистісного утворення – інтелектуально-графічної культури візуалізації, яка поєднує інтелектуальну, логічну, образну і графічну пізнавальні сфери особистості для забезпечення метапредметних результатів навчання. Використання при цьому когнітивно-візуального підходу передбачає перенесення акцентів ілюстративної функції наочності на пізнавальну, а в кінцевому рахунку на розвивальну, і тому професійна робота вчителя має будуватися на активному і цілеспрямованому використанні резервів візуального мислення²⁶⁵.

Також було обґрунтовано, що для якісної візуалізації за принципами психології образів вчителіві потрібно: зіставляти завдання, яке ставиться перед суб'єктом, і ту практичну діяльність, яку цей суб'єкт з предметом має виконати; передбачити можливість сюжетного осмислення ситуації, значущість окремих ознак, враховувати попередній досвід суб'єктів учіння та особливості вже сформованого в них предметного сприйняття відповідних зображень.

На основі теоретичного аналізу наукових джерел та узагальнення педагогічної практики нами визначено форми візуалізації навчального матеріалу, доцільні в освітньому процесі вищої школи і в закладах загальної середньої освіти: опорний конспект, схеми (фрейми, логічні ланцюги, схема «частина – ціле», радіальні схеми, кластери, діаграма Венна, схема «Піраміда», ієрархічна структура «дерево», каузальні ланцюги), інтелект-карти, інфографіка. Для їх побудови залучають різні програмні засоби, серед яких нами виокремлено засоби комп'ютерної візуалізації. Так звані комп'ютерні програми, у яких розробниками передбачені можливості візуального представлення на екрані комп'ютера абстрактних об'єктів або процесів, їх моделей у компактній формі, за необхідності в різних ракурсах, у деталях, з можливістю демонстрації внутрішніх взаємозв'язків складових частин, у тому числі прихованих у реальному світі й розвитку.²⁶⁶

²⁶⁵ Манько Н. Н. Когнитивная визуализация – базовый психолого-педагогический механизм дидактического дизайна / Н. Н. Манько // Вестник Учебно-методического объединения по профессионально-педагогическому образованию : специализированный выпуск. – Екатеринбург, 2007. – Вып. 2 (41).

²⁶⁶ Семеніхіна О. В., Безуглий Д. С., Білошапка Н. М. Візуалізація та її використання у професійній діяльності вчителя: навч. посіб. Суми: СумДПУ імені А. С. Макаренка, 2018. 156 с.

Засоби комп'ютерної візуалізації класифікуємо на засоби комп'ютерної візуалізації предметного (зокрема, математичного) призначення і загального призначення:

- 1) офісні програмні продукти з об'єктами Smart-Art;
- 2) програми для реалізації майндмепінгу;
- 3) програми для створення інфографіки;
- 4) сервіси для створення скрайбінг-презентацій та засоби комп'ютерної візуалізації математичного спрямування (Рис. 2).

Аналіз спеціалізованого в галузі математики програмного забезпечення виявив наявність двох класів програм. Перший включає системи комп'ютерної математики, у яких розробниками закладено сучасні методи чисельних і символічних розрахунків, математичні закони опрацювання даних і правила математичної логіки. Ці системи особливо ефективні при розв'язуванні різноманітних прикладних задач, насамперед, задач математичного моделювання в науці і техніці. До другого класу належать програми динамічної математики (або ПДМ), у яких передбачена не лише можливість креслення яскравих і чітких рисунків, побудови різноманітних графіків, візуалізація розв'язків рівнянь, нерівностей та їх систем тощо, а й можливість динамічних змін вихідної математичної конструкції, вивчення набору її числових характеристик чи їх відношень саме на основі візуалізації [детальніше в²⁶⁷ п. 7].

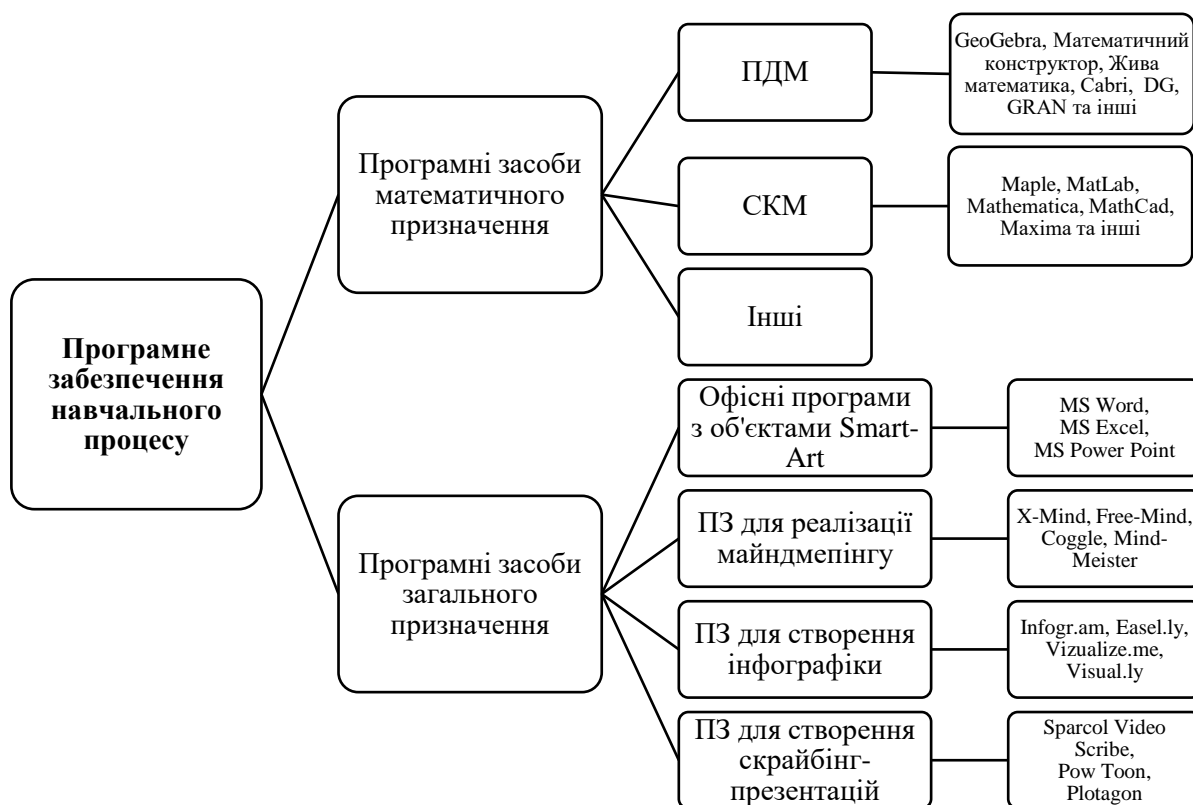


Рис. 2. Класифікація засобів комп'ютерної візуалізації

Нами було проведено ряд педагогічних досліджень стосовно впровадження програм динамічної математики як засобів комп'ютерної візуалізації математичних знань (ЗКВМЗ). Результати відображені у роботах.²⁶⁸

²⁶⁷ Turning Education Structures in Europe [Electronic resource]. URL: <http://tuning.unideusto.org> (Last accessed: 23. 11. 2017).

²⁶⁸ Семеніхіна О. В., Семеног О. М., Друшляк М. Г. Формування у майбутніх учителів умінь раціонально обрати програмний засіб: праксеологічний підхід // Інформаційні технології і засоби навчання. – 2018. – Т. 63. – № 1. –

Зокрема, концептуально обґрунтовано і доведено, що процес формування професійної готовності до використання ЗКВМЗ відображає соціальну необхідність і вимагає переосмислення сутності, змісту і технології підготовки вчителя математики, яка базується на принципах інтеграції інформатико-математичних знань, орієнтації на ЗКВМЗ, когнітивної візуалізації, технологічності, створення інформаційного середовища. Одночасно теоретично обґрунтовано структурні компоненти професійної готовності майбутнього вчителя математики до використання ЗКВМЗ (особистісний, когнітивний, процесуальний, рефлексивний), їхні взаємозв'язки, уточнено критерії, показники й рівні та розроблено, теоретично обґрунтовано й експериментально перевірено організаційно-педагогічну модель формування професійної готовності майбутнього вчителя математики до використання ЗКВМЗ.

Додатково вивчалоя питання розробки і використання інтерактивних додатків.²⁶⁹ Встановлено, що вміння їх створювати сьогодні є фаховими і необхідними для навчання природничо-математичних дисциплін. Оскільки такі уміння безпосередньо пов'язані з інформаційними технологіями, їх упевнено можна відносити до цифрово-інформаційної компетентності майбутнього вчителя.

Дослідницький напрям роботи Центру спрямовуємо на дослідження актуальних питань особистісно-професійного розвитку вчителя, педагогіки партнерства і комунікативної взаємодії: університет – школа; реалізацію низки проектів щодо формування основ академічної / наукової мовної культури для вчителів, які здійснюють керівництво роботами слухачів МАН.

Наразі апробуємо навчально-методичні комплекси, мультимедійні освітні ресурси з лінгвоперсонології, електронної лінгводидактики, цифрової наративістики. В основу занять покладено положення текстово-жанрового, когнітивно-візуального підходів, а також наративно-цифрового підходу, що дозволяє застосувати метод нетнографії для виявлення й опису наявності Інтернет-сервісів і ресурсів, які пропонують цифрові наративи та програмне забезпечення щодо їх створення. З метою обміну досвідом з актуальних напрямів сучасного мовознавства, літературознавства, дидактики в контексті вивчення мовно-комунікативної особистості на початку XXI століття, формування креативної мовної особистості учня, учителя, фахівця; щодо ефективного використання в освітньому процесі здобутків лінгвоперсонології, електронної лінгводидактики, цифрової наративістики спільно з кафедрою інформатики проведено Міжнародні науково-практичні конференції «Культуромовна особистість фахівця у XXI столітті» (6-7 грудня 2018 року), «Академічна культура дослідника в освітньому просторі: європейський та національний досвід» (16-17 травня 2019 року).

Культурно-освітній напрям діяльності центру спрямований на організацію і проведення фахових конкурсів, фестивалів творчих уроків, виставок учительської творчості, круглих столів, проведення інформаційно-просвітницької роботи, шкільних і студентських олімпіад, конкурсів, свят з української мови і літератури, пізнавальних мовних віртуальних екскурсій

С. 230-241; Semenikhina O. On the Results of a Study of the Willingness and the Readiness to Use Dynamic Mathematics Software by Future Math Teachers [Електронний ресурс] / Olena Semenikhina, Marina Drushlyak // Proceedings of the 11th International Conference on ICT in Education, Research and Industrial Applications: Integration, Harmonization and Knowledge Transfer (ICTERI 2015). – Lviv, Ukraine, May 14-16, 2015. – P. 21-34. – Режим доступу: <http://ceur-ws.org/Vol-1356/>; Semenikhina O., Drushlyak M., Zigunova I., Budyanskiy D. Geogebra as means of improving the quality of education // 14th International Conference on ICT in Education, Research, and Industrial Applications: Integration, Harmonization, and Knowledge Transfer (ICTERI 2018). – May 14-17, 2018. – Kyiv. – 2018. – P. 331-345.

²⁶⁹ Семеніхіна О. В. Інтерактивні аплету як засоби комп'ютерної візуалізації математичних знань та особливості їх розробки у GeoGebra / О. В. Семеніхіна, М. Г. Друшляк, Д. С. Безуглий // Комп'ютер в школі і сім'ї. – 2016. – № 1. – С. 27-30; Семеніхіна О. В., Друшляк М. Г. Застосування комп'ютерів при вивченні математики. Програми динамічної математики: навчальний посібник. – Суми: ВВП «Мрія», 2016. – 144 с.

для вдосконалення компетентності у володінні державною мовою, сприяння розвитку обдарованої молоді. Зокрема, спільно з кафедрою соціально-гуманітарної освіти Комунальний заклад Сумський обласний інститут післядипломної педагогічної освіти (кер. Жук М. В.) реалізується пілотний телекомунікаційний проект для учнів 1 класів «Дорожні карти Нової української школи (від теорії до практичних проектів)», мета якого формування мовленнєво-комунікативної компетенції школярів різних регіонів України. Ініціатори: Шосткинська спеціалізована школи I ступеня № 13 Сумської області (В. Балицька) та НВК «Гуцульщина» Рожнівський Ліцей Івано-Франківської області (О. Радиш). Діяльність ресурсного центру сприяє культурно-освітній роботі вчителів різних регіонів на засадах цінностей педагогіки партнерства.

Висновки. Отже, суспільний запит на підготовку конкурентоздатної молоді, формування їх ключових компетентностей актуалізує потребу крос-культурної взаємодії фахівців різних галузей знань, яка на рівні закладу вищої освіти може бути реалізована як міжкафедральний проект. Серед можливих напрямів міжкафедральних проектів відзначимо фахово-методичний (зорієнтовано на проведення інтерактивних лекцій, міждисциплінарних тренінгів, майстер-класів з актуальних освітніх технологій у навчанні), дослідницький (спрямовано на дослідження актуальних питань мовно-літературної, математичної, інформатичної освіти, освітніх технологій особистісно-професійного розвитку вчителя, педагогіки партнерства і комунікативної взаємодії: університет – школа; актуальних питань формування основ академічної / наукової мовної культури для вчителів, які здійснюють керівництво роботами слухачів МАН) та культурно-освітній (спрямований на організацію і проведення фахових конкурсів, фестивалів творчих уроків, виставок учительської творчості, круглих столів, проведення інформаційно-просвітницької роботи, шкільних і студентських олімпіад, конкурсів, пізнавальних віртуальних екскурсій).

Міжкафедральні проекти доцільно організовувати з урахуванням специфіки спеціальностей, що готує заклад вищої освіти, та виконувати на засадах педагогіки партнерства. З огляду на важливість підготовки вчителя, який не лише на високому рівні володіє компетентностями в предметній галузі, а й здатний до формування ключових компетентностей у молодого покоління, перспективними бачимо міжкафедральні проекти, пов'язані з формуванням академічної культури педагога, з підготовкою педагога-дослідника, зі створенням / використанням цифрових освітніх середовищ у професійній підготовці вчителя. Важливим для реалізації та поширення результатів напрацювань за міжкафедральними проектами є віртуальний майданчик, який через інтернет та мережеве спілкування не лише надасть можливість майбутнім учителям і вчителям, які працюють, поліпшити власний професійний рівень, а й стане таким інформаційним ресурсом, де можлива освітня, освітньо-консультативна, інформаційно-дидактична, дослідницька підтримка професійної діяльності вчителя Нової української школи.

Література:

1. Білошапка Н. М. Формування у майбутніх учителів математики вмінь використовувати засоби комп'ютерної візуалізації у професійній діяльності. – Кваліфікаційна наукова праця на правах рукопису. Дисертація на здобуття наукового ступеня кандидата педагогічних наук (доктора філософії) за спеціальністю 13.00.04 «Теорія і методика професійної освіти». – Сумський державний педагогічний університет імені А. С. Макаренка, Суми, 2018. [Електронний ресурс] – Режим доступу <https://drive.google.com/file/d/19QAFewO2Cdjnsg8NbbbohJQs7CYRblv7U/view>.
2. Кожем'якіна І. В. Розвиток професійної мовно-мовленнєвої компетентності вчителя початкових класів у системі післядипломної освіти. – Кваліфікаційна наукова праця на правах рукопису. Дисертація на здобуття наукового ступеня кандидата педагогічних наук (доктора філософії) за спеціальністю 13.00.04 «Теорія і методика професійної освіти». – Інститут педагогічної освіти і освіти

- дорослих Національної академії педагогічних наук України, Київ; Сумський державний педагогічний університет імені А. С. Макаренка, Суми, 2019. [Електронний ресурс] – Режим доступу https://drive.google.com/file/d/1ZbJt-jMQVcq1FDjY4PPRMv8uvOBIDXO_/view.
3. Манько Н. Н. Когнитивная визуализация – базовый психолого-педагогический механизм дидактического дизайна / Н. Н. Манько // Вестник Учебно-методического объединения по профессионально-педагогическому образованию: специализированный выпуск. – Екатеринбург, 2007. – Вып. 2 (41).
4. Нова українська школа [Електронний ресурс] – Режим доступу: <http://mon.gov.ua/%D0%9D%D0%BE%D0%B2%D0%B8%D0%BD%D0%B8%202016/08/17/mon.pdf>.
5. Професійний розвиток педагогічних, науково-педагогічних працівників і керівників закладів освіти галузі знань 01 «Освіта» у системі підвищення кваліфікації: збірник освітньо-професійних програм: у 2-х ч. Ч. 1 / наукова ред., упорядкування В. В. Сидоренко, Я. Л. Швень. К.: Агроосвіта, 2019. 252 с.
6. Семеніхіна О. В. Інтерактивні аплету як засоби комп'ютерної візуалізації математичних знань та особливості їх розробки у GeoGebra / О. В. Семеніхіна, М. Г. Друшляк, Д. С. Безуглий // Комп'ютер в школі і сім'ї. – 2016. – № 1. – С. 27-30.
7. Семеніхіна О. В. Професійна готовність майбутнього вчителя математики до використання програм динамічної математики: теоретико-методичні аспекти : монографія / О. В. Семеніхіна. – Суми: ВВП «Мрія», 2016. – 268 с.
8. Семеніхіна О. В., Безуглий Д. С., Білошапка Н. М. Візуалізація та її використання у професійній діяльності вчителя: навч. посіб. Суми: СумДПУ імені А. С. Макаренка, 2018. –156 с.
9. Семеніхіна О. В., Друшляк М. Г. Застосування комп'ютерів при вивченні математики. Програми динамічної математики: навчальний посібник. – Суми: ВВП «Мрія», 2016. – 144 с.
10. Семеніхіна О. В., Семенов О. М., Друшляк М. Г. Формування у майбутніх учителів умінь раціонально обрати програмний засіб: праксеологічний підхід // Інформаційні технології і засоби навчання. – 2018. – Т. 63. – № 1. – С. 230-241.
11. Чкана Я. О. Формування математичної компетентності майбутніх учителів фізико-математичних спеціальностей у фаховій підготовці. – Кваліфікаційна наукова праця на правах рукопису. Дисертація на здобуття наукового ступеня кандидата педагогічних наук за спеціальністю 13.00.04 – теорія і методика професійної освіти. – Сумський державний педагогічний університет імені А. С. Макаренка. – Суми, 2018. [Електронний ресурс] – Режим доступу https://drive.google.com/file/d/1-33fOOyK0bbwwOWUqVfoGvMU0bewkb_T/view.
12. ANNEX to the Proposal for a Council Recommendation on Key Competences for Lifelong Learning. URL: <https://ec.europa.eu/education/sites/education/files/annexrecommendation-key-competences-lifelong-learning.pdf>.
13. Semenikhina O. On the Results of a Study of the Willingness and the Readiness to Use Dynamic Mathematics Software by Future Math Teachers [Електронний ресурс] / Olena Semenikhina, Marina Drushlyak // Proceedings of the 11th International Conference on ICT in Education, Research and Industrial Applications: Integration, Harmonization and Knowledge Transfer (ICTERI 2015). – Lviv, Ukraine, May 14-16, 2015. – P. 21-34. – Режим доступу: <http://ceur-ws.org/Vol-1356/>.
14. Semenikhina O., Drushlyak M., Zigunova I., Budyanskiy D. Geogebra as means of improving the quality of education // 14th International Conference on ICT in Education, Research, and Industrial Applications: Integration, Harmonization, and Knowledge Transfer (ICTERI 2018). – May 14-17, 2018. – Kyiv. – 2018. – P. 331-345.
15. Semenoh O. Formation of the Teacher-Researcher Academic Culture in a Digital Creative Environment / Semenoh O., Semenikhina O., Bezuhlyi D. // Information Technologies and Learning Tools. 2017. Т. 62. № 6. pp. 240-251 <https://journal.iitta.gov.ua/index.php/itlt/article/view/1917WebOfScience>.
16. Turning Education Structures in Europe [Electronic resource]. URL: <http://tuning.unideusto.org> (Last accessed: 23. 11. 2017).

2.13. Constructing structures of the quality assessment system and its study of neural-network means

2.13. Побудова структури системи оцінювання якості та її дослідження нейронно-мережовими засобами

В останні десятиріччя у світі бурхливо розвивається нова прикладна галузь математики, що спеціалізується на штучних нейронних мережах (НМ). Актуальність досліджень у цьому напрямку підтверджується масою різних застосувань НМ. Це автоматизація процесів розпізнавання образів, адаптивне керування, апроксимація функціоналів, прогнозування, створення експертних систем, організація асоціативної пам'яті й багато інших додатків. За допомогою НМ можна, наприклад, пророкувати показники біржового ринку, виконувати розпізнавання оптичних або звукових сигналів, створювати системи, що самонавчаються, здатні управляти автомашиною при паркуванні або синтезувати мову по тексту. У той час як на заході застосування НМ уже досить велике, у нас це ще до деякої міри екзотика – українські фірми, що використовують НМ практичних цілях.

Широке коло завдань, розв'язуване НМ, не дозволяє в цей час створювати універсальні, потужні мережі, змушуючи розробляти спеціалізовані НМ, що функціонують по різних алгоритмах.

Моделі НМ можуть бути програмного й апаратного виконання.

Незважаючи на істотні розходження, окремі типи НМ володіють декількома загальними рисами. Серед різних конфігурацій штучних нейронних мереж зустрічаються такі, при класифікації яких за принципом навчання, строго говорячи, не підходять ні навчання із учителем, ні навчання без учителя. У таких мережах вагові коефіцієнти синапсів розраховуються тільки один раз перед початком функціонування мережі на основі інформації про оброблюваних даних, і все навчання мережі зводиться саме до цього розрахунку. З одного боку, пред'явлення апріорної інформації можна розцінювати, як допомога вчителя, але з іншого боку - мережа фактично просто запам'ятовує зразки до того, як на її вхід надходять реальні дані, і не може змінювати своє поведіння, тому говорити про ланку зворотного зв'язку зі "світом" (учителем) не доводиться. З мереж з подібною логікою роботи найбільш відомі мережа Хопфілда й мережа Хеммінга, які звичайно використовуються для організації асоціативної пам'яті.

Метою данної роботи є розробка системи оцінювання результатів захисту спеціалістів комп'ютерного профілю.

Об'єктом дослідження є навчальний процес з використанням роботи пакету програм Neuro Pro 0,25.

Предметом дослідження є створення системи оцінювання результатів захисту магістрантів комп'ютерного профілю.

В ході данної роботи отримано такі методичні та інструментальні результати розроблення системи оцінювання результатів захисту магістрантів.

Новизна отриманих результатів полягає в наступному:

Не всі вхідні сигнали мережі і синапси нейронів необхідні для правильного вирішення мережею завдання. Часто можна досить сильно спростити мережу без погіршення точності рішення задачі.

Основними результатами проведення процесу спрощення мережі є наступні:

- Скорочується кількість вхідних сигналів мережі. Якщо правильно розв'язати задачу можна на основі меншого набору вхідних даних, то це може надалі скоротити часові та матеріальні витрати на збір інформації.

- Нейронні мережі просто можна буде реалізувати на апаратній платформі.

- Мережа може придбати логічно прозору структуру. Відомо, що майже неможливо зрозуміти, як навчена нейронна мережа вирішує задачу. Після спрощення, нейронна мережа стає досить доступною для огляду і можна спробувати побудувати алгоритм рішення мережею завдання на основі графічного подання або вербального опису структури мережі.

- Завдяки можливостям пакету вдалося зробити спрощення первинної моделі. Спрощення було отримано за допомогою процедури бінаризації.

Достовірність результатів роботи забезпечується позитивними результатами впровадження електронного навчального посібника в навчальний процес.

Критеріями оцінки якості змісту та захисту кваліфікаційної роботи спеціаліста є такі показники та результати:

1. Оформлення дипломної роботи відповідно до вимог Держстандарту (до 5 балів).

2. Актуальність теми кваліфікаційної роботи спеціаліста, відповідність теми проблемам напрямку підготовки спеціаліста, відповідність змісту роботи її темі та наявність замовлення на тему від підприємства – до 10 балів, у т. ч.:

2.1. Новизна – 3 бали;

2.2. Відповідність теми проблемам напряму підготовки та спеціальності – 2 бали;

2.3. Відповідність плану (змісту) роботи її темі – 3 бали.

3. Наявність у кваліфікаційній роботі спеціаліста запропонованих оригінальних методик і метод, та рівень творчого використання комп'ютерів при проведенні наукових досліджень – до 20 балів:

високий – 20 балів;

середній – 10 балів;

низький – 5 балів;

4. Ступінь науковості – до 20 балів, у т. ч.:

4.1. Структурно-логічна побудова роботи – 3 бали;

4.2. Наявність у роботі запропонованих нових математичних моделей та рівень їх теоретичного дослідження – до 3 балів:

високий – 3 бали;

середній – 2 бали;

низький – 1 бал;

4.3. Рівень практичної цінності досліджуваної проблеми з урахуванням критичного аналізу сучасної науково-технічної та науково-методичної літератури, аналізу відомих методик розрахунково-експериментальних досліджень – до 7 балів:

високий – 7 балів;

середній – 5 балів;

низький – 2 бали;

4.4. Ступінь застосування сучасних методів дослідження – до 3 балів:

високий – 3 бали;

середній – 2 бали;

низький – 1 бал;

4.5. Ступінь наукової новизни роботи – до 4 балів:

високий – 4 бали;

середній – 2 бали;

низький – 1 бал.

5. Рівень реальності розробок та пропозицій – до 30 балів, у т. ч.:

5.1. Рівень обґрунтування рекомендацій – до 8 балів:

високий – 8 балів;

середній – 5 балів;

низький – 2 бали.

5.2. Обґрунтування економічного ефекту від дослідження – до 7 балів;

5.3. Наявність доповіді роботи на науково-методичних семінарах кафедри, студентських олімпіадах, конференціях, наявність довідки (акту) про впровадження запропонованих рекомендацій – 8 балів;

5.4. Наявність публікацій з теми дипломної роботи – 7 балів.

6. Зміст доповіді спеціаліста, рівень якості відповідей на запитання, вміння чітко та лаконічно формулювати думку, використовуючи презентаційно-ілюстративний матеріал – до 10 балів:

високий – 10 балів;

середній – 5 балів;

низький – 2 бали.

7. Наявність відгуку керівника дипломної роботи спеціаліста та рівень оцінки роботи – 5 балів:

високий – 5 балів;

середній – 3 балів;

низький – 1 бал.

Усього (найбільша кількість балів) – 100 балів.

Головним критерієм ефективності кваліфікаційної роботи спеціаліста є: впровадження оригінальних методик та методів, ступінь науковості, рівень реальних розробок та пропозицій, теоретична та практична цінність роботи для кафедри, факультету, академії.

Нижче представлена нейронно-мережева модель оцінювання захисту випускних робіт магістрантів (Рис. 2).

Для аналізу нейронно-мережевої моделі ми будемо використовувати програму NeuroPro 0.25

Програма NeuroPro 0.25 є вільно розповсюджуваною бета-версією розроблювального програмного продукту для роботи з нейронними мережами й виробництва знань із даних за допомогою тих, яких навчають, штучних нейронних мереж. Головне вікно програми наведене на Рис. 1.

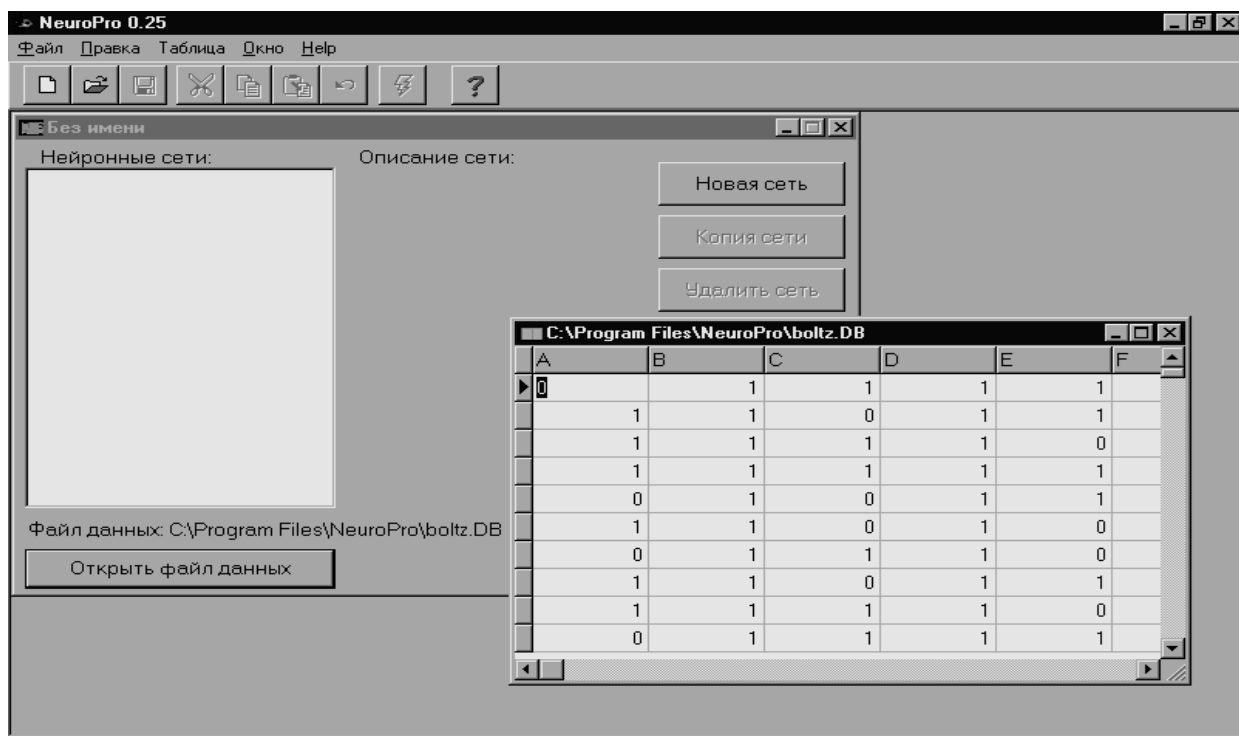


Рис. 1. Головне вікно програми

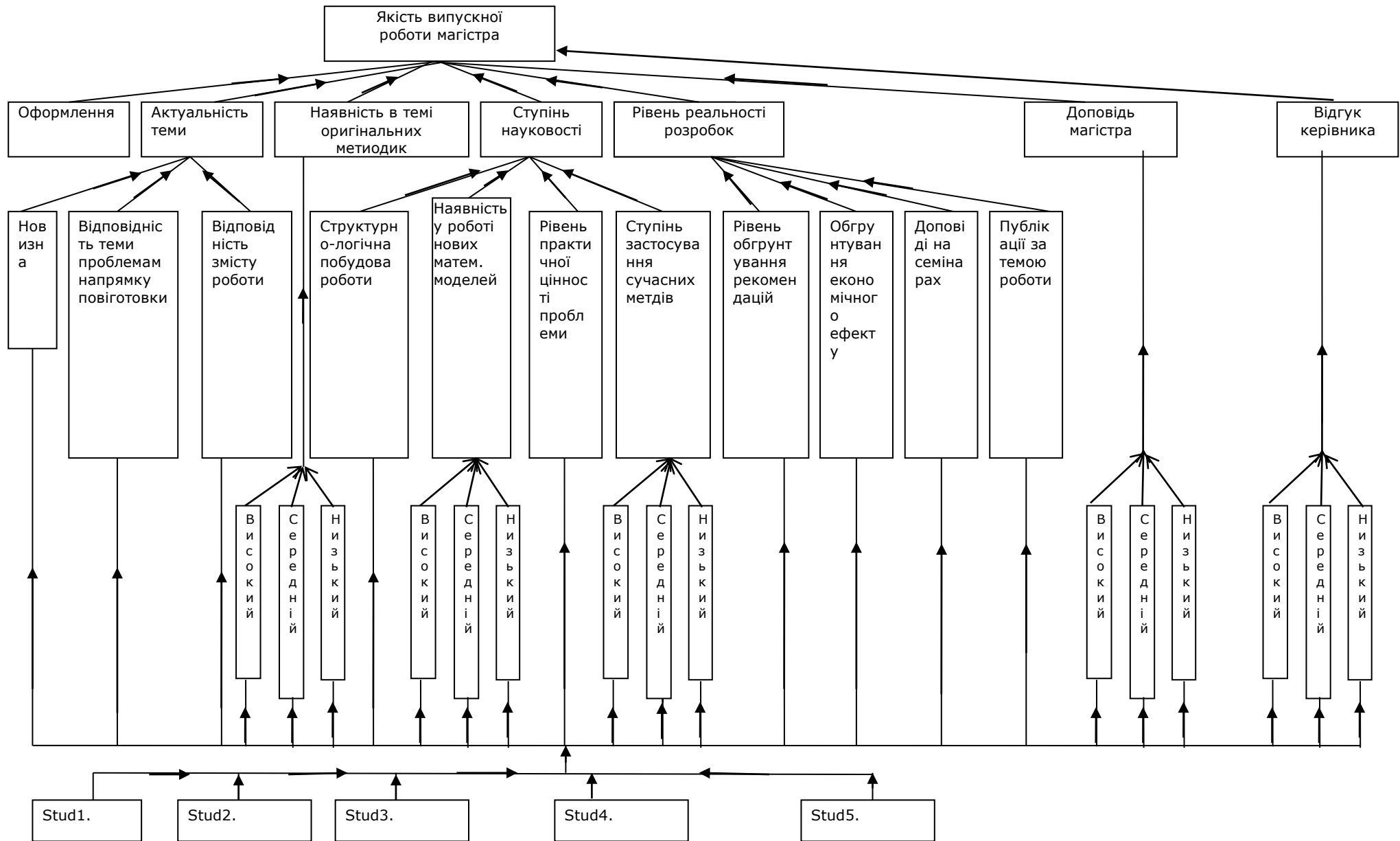


Рис. 2. Нейронно-мережева модель оцінювання захисту випускних робіт магістрантів

Основні можливості програми:

Створення нейропроекта (див. Рис. 1: «Файл» – «Створити»).

Підключення до нейропроекту файлу (бази) даних (див. Рис. 1: «Відкрити файл даних»).

Як файли даних (утримуючу навчальну вибірку для нейронних мереж) використовуються файли форматів DBF (формати пакетів Dbase, FoxBase, FoxPro, Clipper) і DB (Paradox). Можливе читання й редагування цих файлів і збереження змінених файлів на диску. Програма не накладає обмежень на число записів (рядків) у файлі даних.

Редагування файлу даних і створення нейронної мережі.

Убудовані можливості нейроиміатора по редагуванню файлів даних досить обмежені. Для внесення змін у файл даних доцільно скористатися табличним процесором MS Excel з наступним збереженням файлу у форматі DBF, що читається програмою Neuro pro 0.25 (див. таблицю даних на Рис. 1).

Додавання в нейропроект нейронної мережі шаруватої архітектури із числом шарів нейронів від 1 до 10, числом нейронів у шарі – до 100 (число нейронів для кожного шару мережі може задаватися окремо). Для створення нової мережі необхідно клацнути по кнопці «Нова мережа», що перебуває за таблицею даних і стає активної після відкриття файлу даних.

Вибір алгоритму навчання, призначення необхідної точності прогнозу, настроювання параметрів нейронної мережі.

Навчання нейронної мережі на деякому задачнику виробляється градієнтними методами оптимізації, градієнт обчислюється за принципом подвійності. У програмі реалізовані чотири алгоритми оптимізації:

1. Градієнтний спуск.
2. Модифікований ParTan.
3. Метод сполучених градієнтів.
4. Квазіньютонівський BFGS-метод.

При створенні нейропроекта як алгоритм за замовчуванням приймається ParTan. Зміна алгоритму здійснюється через пункти меню «Настроювання» – «Метод оптимізації».

Прикладу задачника відповідає запис (рядок) файлу даних. Для включення запису файлу даних у задачник у записі повинні бути присутнім дані для всіх полів, використовуваних нейронною мережею в якості вхідних і вихідних.

Навчання припиняється при досягненні заданої точності рішення завдання або при неможливості подальшої оптимізації.

Нейросеть може вирішувати одночасно кілька завдань як прогнозування (пророкування значень декількох кількісних ознак), так і завдання класифікації (пророкування станів декількох якісних ознак), так і завдання прогнозування й класифікації одночасно для кожного із завдань можуть бути встановлені свої вимоги до точності.

Для прогнозованої якісної ознаки точність означає максимально припустиме відхилення прогнозу мережі від щирого значення ознаки. Бажано задавати як можна менш тверді вимоги до точності. Це прискорить як процес навчання, так і процес спрощення мережі. Також завдання можна буде вирішити на основі нейронної мережі з меншим числом шарів або нейронів, і, звичайно, на підставі меншого числа вхідних сигналів. Необхідна точність у жодному разі не повинна перевершувати погрішностей одержання сигналу (погрішностей вимірювальних приладів, погрішностей огрубіння значень при введенні їх у комп'ютер). Так, якщо значення ознаки змінюється в діапазоні $[0, 10]$ і вимірювальний прилад має власну точність ± 0.1 , то не можна жадати від мережі пророкування з точністю ± 0.01 .

Для якісної ознаки точність (надійність) означає впевненість у приналежності якісної ознаки тому або іншому дискретному стану. Чим більше рівень необхідної впевненості, тим

більше надійно повинна мережа діагностувати відмінності кожного дискретного стану від інших.

Навчання нейронної мережі рішення завдання пророкування або класифікації.

Число вхідних і вихідних сигналів мережі обмежено максимальним числом полів у файлі даних і не може в сумі перевищувати 255 або 511 (залежно від файлу даних) сигналів. Кожному вхідному й вихідному сигналу відповідає поле у файлі даних. Однак, при обробці якісних ознак, кожному вхідному або вихідному полю можуть відповідати кілька вхідних або вихідних сигналів мережі. Процедура завдання вхідних і вихідних сигналів нової мережі зображена на Рис. 3.

Нейронна мережа може обробляти тільки поля у файлі даних, що містять числові значення. Із усього набору полів у файлі даних можна вибрати окремі поля для обробки нейросетью.

Оброблювані поля можуть бути безперервними (кількісними) і дискретнозначними (якісними).

Кожне кількісне поле у файлі даних буде відповідати одному вхідному або вихідному сигналу мережі. Перед подачею кількісних вхідних полів нейронної мережі відбувається їх нормировка в діапазон значень $[-1, 1]$ по кожному полю. Вихідні сигнали мережі нормуються в діапазон щирих значень.

Після опису всіх вхідних і вихідних сигналів мережі, необхідно задати її структуру (число шарів нейронів, число нейронів у кожному шарі й характеристику – коефіцієнт перетворювача нейрона). Завдання структури нової мережі зображене на Рис. 4.

На дійсний момент є можливість роботи тільки із шаруватими й шаруватими монотонними нейронними мережами із числом шарів нейронів від 1 до 10, числом нейронів у шарі – до 100. Число нейронів у шарі не залежить від числа вхідних сигналів і числа вихідних сигналів. Після останнього шару нейронів мережа має шар адаптивних суматорів із числом суматорів, рівних числу вихідних сигналів, з яких і знімаються вихідні сигнали мережі.

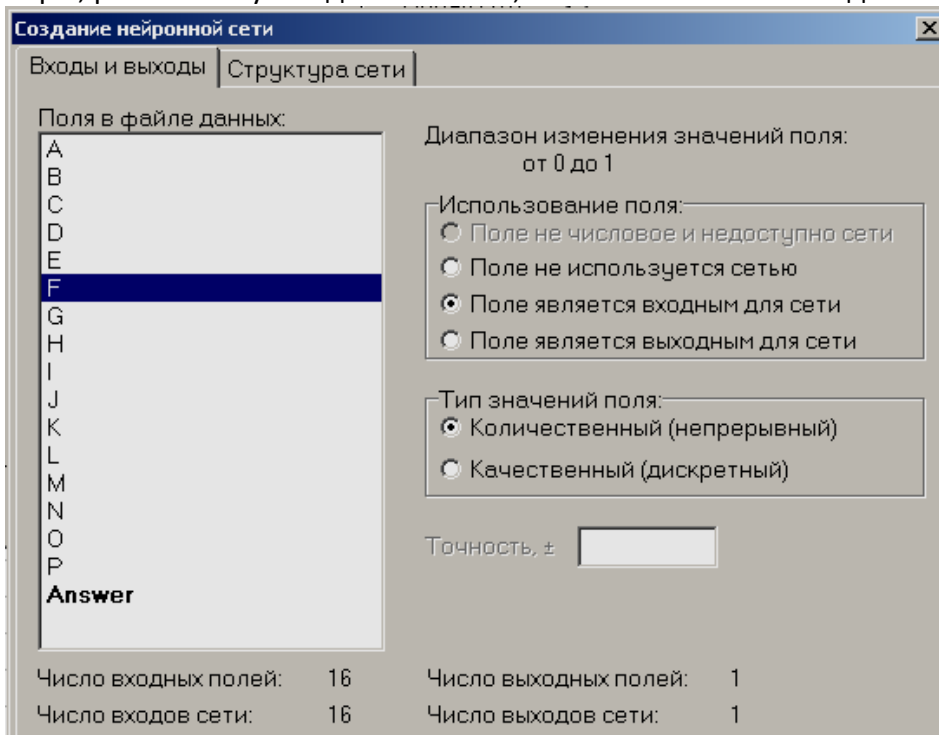


Рис. 3. Завдання вхідних і вихідних сигналів нової мережі

Ваги синапсов при навчанні можуть змінюватися в діапазоні $[-1, 1]$, при створенні мережі ініціюються випадковими числами.

Нелінійна функція нейрона має вигляд $f(A)=A/(c+|A|)$, де c – параметр крутості перехідної ділянки сигмоидної функції, що задається при створенні мережі в діапазоні $[0.0001, 1]$ і не змінюється при навчанні. Параметр крутості (характеристика) може задаватися окремо для кожного шару мережі.

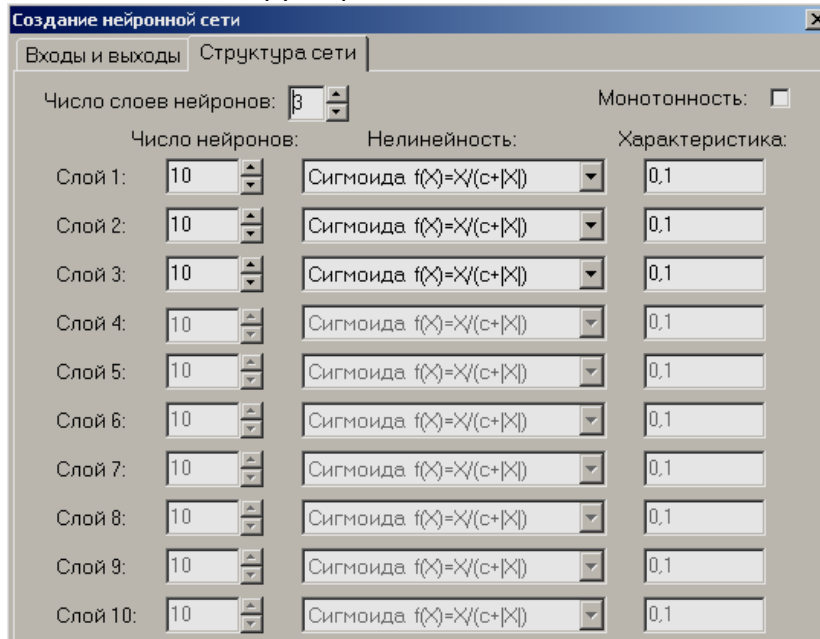


Рис. 4. Завдання структури нової мережі

Після завдання структури мережі необхідно клацнути по кнопці «Створити» і в головному меню вибрати пункти «Нейросеть» – «Навчання». Закінчення процесу навчання зображене на Рис. 5. Швидкість навчання залежить як від складності навчальної вибірки, так і від заданої для вихідного поля точності навчання. Необхідно звернути увагу на те, щоб мережа правильно вирішувала всі приклади навчальної вибірки.

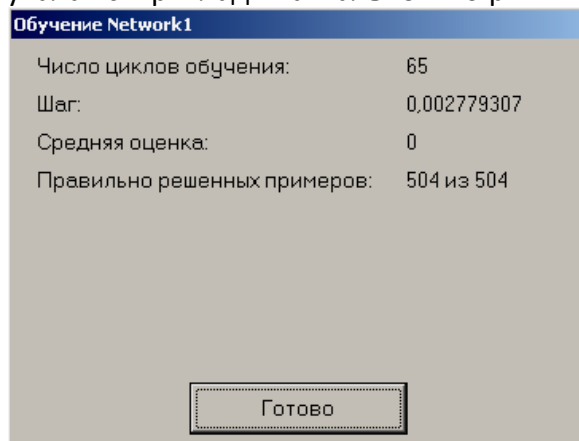


Рис. 5. Результат навчання мережі

Тестування нейронної мережі на файлі даних («Нейросеть» – «Тестування»).

Результати тестування нейронної мережі зображені на Рис. 13. Для кожного вихідного поля мережі нейроимітатор указує прогнозне значення й помилку, а в нижній частині таблиці – кількість правильних і неправильних відповідей, середню й максимальну помилку.

Для виконання процедури прогнозування необхідно перед викликом процедури «Тестування» внести в таблицю дані значення вхідних параметрів, на підставі яких нейросеть буде робити прогноз («Таблица» – «Додати запис»). Поле вихідного параметра повинне залишатися порожнім, а курсор необхідно перевести кнопкою «ТАВ» у наступний рядок.

Після повторного виконання процедури тестування нижній рядок таблиці містить прогноз нейронної мережі (Рис. 6).

Тестирование Network1			
№	Answer	Прогноз сети	Ошибка
497	0	0,000572294	-0,000572294
498	0	-0,07375026	0,07375026
499	0	0,04507205	-0,04507205
500	0	-0,05900478	0,05900478
501	0	0,01742992	-0,01742992
502	0	-0,05162191	0,05162191
503	0	-0,04850996	0,04850996
504	0	-0,08495688	0,08495688
		Правильно:	504 (100%)
		Неправильно:	0 (0%)
		Всего:	504
		Ср.ошибка:	0,04791905
		Макс.ошибка:	0,09919417

Рис. 6. Результат тестування нейронної мережі

Тестирование Network1			
№	Answer	Прогноз сети	Ошибка
498	0	-0,07375026	0,07375026
499	0	0,04507205	-0,04507205
500	0	-0,05900478	0,05900478
501	0	0,01742992	-0,01742992
502	0	-0,05162191	0,05162191
503	0	-0,04850996	0,04850996
504	0	-0,08495688	0,08495688
505		0,9069442	
		Правильно:	504 (100%)
		Неправильно:	0 (0%)
		Всего:	504
		Ср.ошибка:	0,04791905
		Макс.ошибка:	0,09919417

Рис. 7. Прогноз нейронної мережі

Обчислення показників значимості кожного із вхідних сигналів для рішення завдання («Нейросеть» – «Значимість вхідних сигналів», див. Рис. 8), збереження обчислених показників значимості у файлі на диску.

Network1 - значимость входов	
Сигнал	Значимость
A	0,7824275
B	0,3793308
C	0,4418979
D	0,3762362
E	0,5838745

Рис. 8. Значимість вхідних сигналів

Значимість вхідних сигналів дозволяє побачити, з погляду мережі, ступінь впливу вхідних параметрів на вихідний. Це дозволяє, наприклад, позбутися від малозначимих вхідних параметрів.

Спрощення нейронної мережі («Нейромережа» – «Скорочення, спрощення й т.п.»).

Спрощення нейронної мережі виконується на основі обчислених показників значимості. Показники значимості обчислюються в п'яти крапках у просторі адаптивних параметрів мережі й усереднюються в одній з норм.

Генерація й візуалізація вербального опису нейронної мережі («Нейросеть» – «Вербалізація»). Редагування й збереження вербального опису нейронної мережі у файлі на диску.

При генерації вербального опису в тексті перераховуються використовувані поля файлу даних, правила їх передоброби для подачі мережі, опис нелінійних функцій нейронів, функціонування нейронної мережі пошарово й понейронно, правила нормування вихідних сигналів мережі в діапазон щирих значень. Сигналам, які генеруються нейронами мережі, привласнюються деякі імена, і надалі користувач при аналізі мережі може йменувати ці сигнали в термінах проблемної області.

Підготовка файлу даних здійснюється наступним чином. Створюємо таблицю за критеріями в Excel.

	A	B	C	D	E	F	G	H	I	J	K	L	M	N	O	P	Q	R	S	T	U
1	Stud	Oform	Akt_t	Nayv	Styp	Riv_r	Doprc	Vidg	Noviz	Vidpr	Poby	Naye	Riv_r	Styp	River	Obry	Doprc	Publikacii			
2	1	3	7	3	1	20	5	1	1	2	1	1	1	2	1	2	2	6	4		
3	2	4	8	3	2	25	6	3	2	2	2	2	2	5	2	5	5	7	5		
4	3	5	9	3	4	28	8	5	3	2	3	3	3	7	3	8	7	8	7		
5	4	3	6	2	2	20	5	1	1	2	1	1	1	2	1	2	2	6	4		
6	5	4	8	3	2	25	6	3	2	2	2	2	2	5	2	5	5	7	5		
7																					
8																					
9																					

Рис. 9. Заповнена таблиця в Excel

Зберігаємо в * xls. Потім за допомогою програми Advanced XLS Converter конвертуємо в формат * dbf. З таким форматом працює програма Neuro pro 0,25.

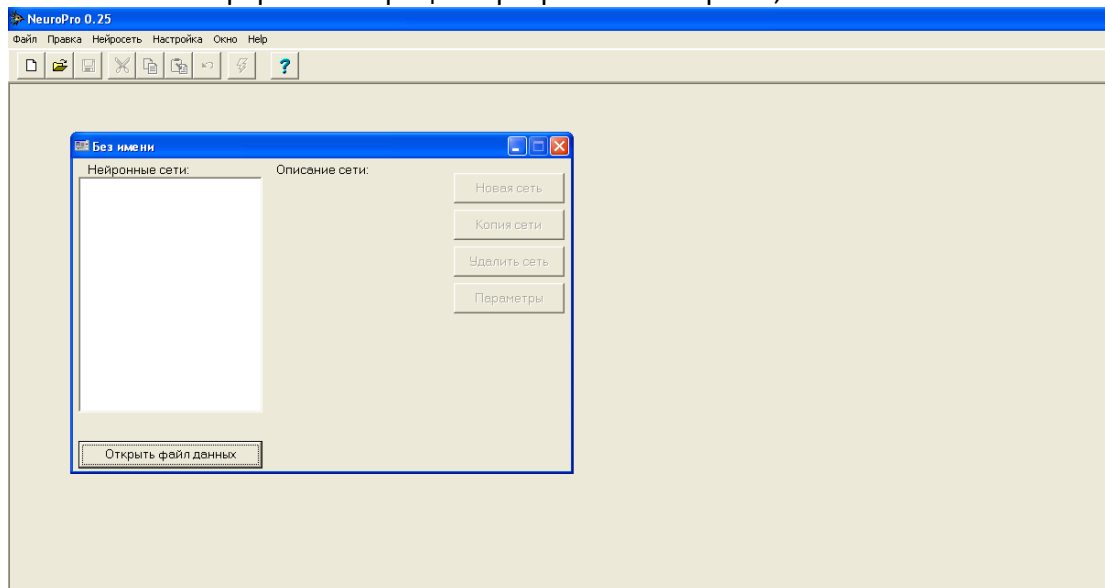


Рис. 10. Відкриття програми

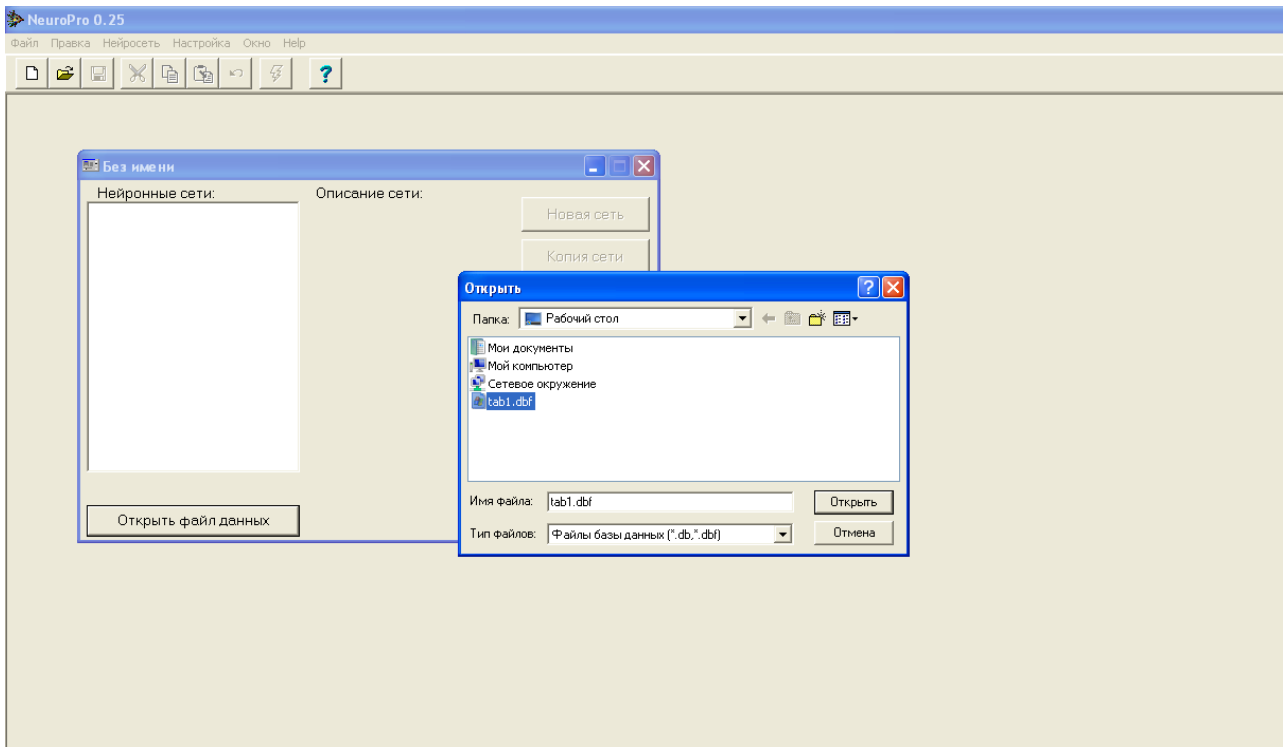


Рис. 11. Відкриття БД

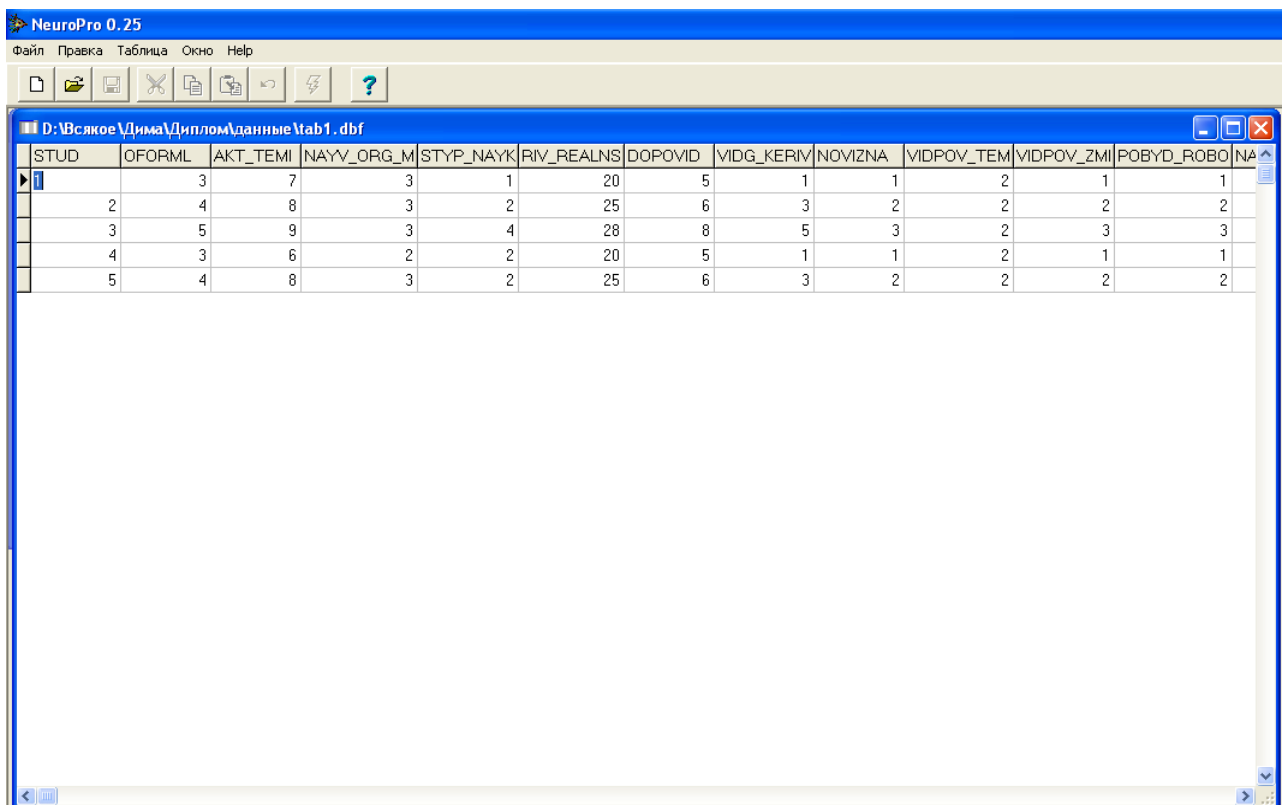


Рис. 12. Відкрита БД. Можна змінювати значення прямо в програмі.

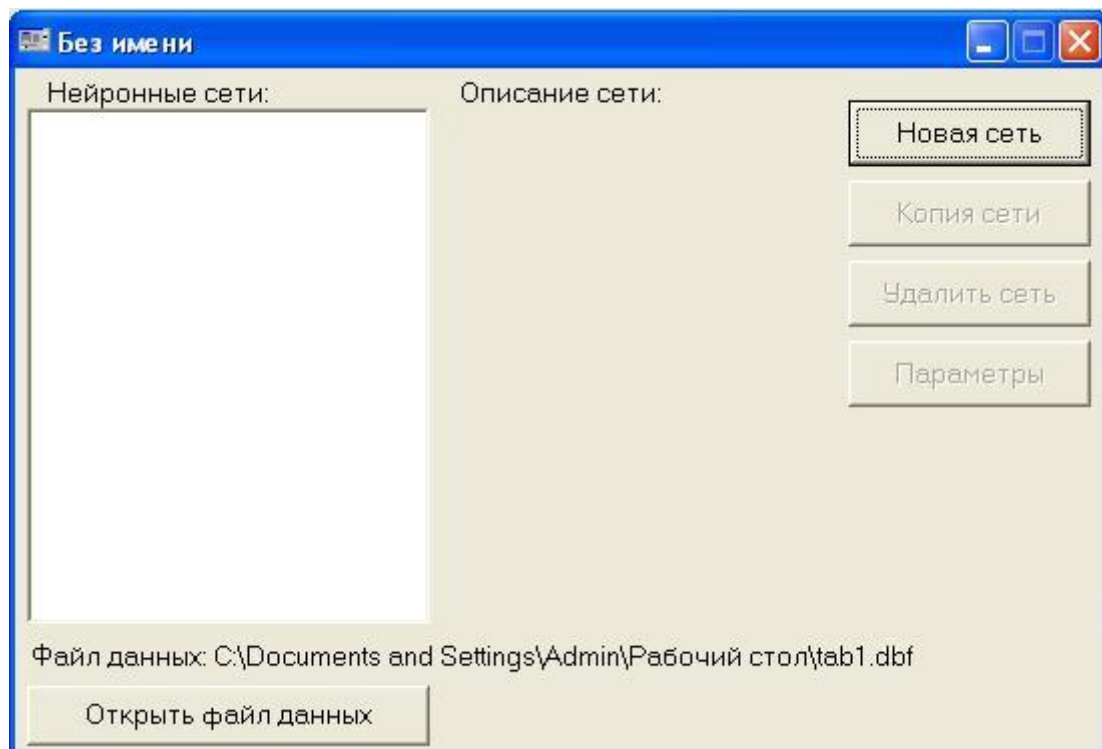


Рис. 13. Вікно створення нової мережі

Після чого у вікні «Создание нейронной сети» ми для кожного поля задаємо параметри.

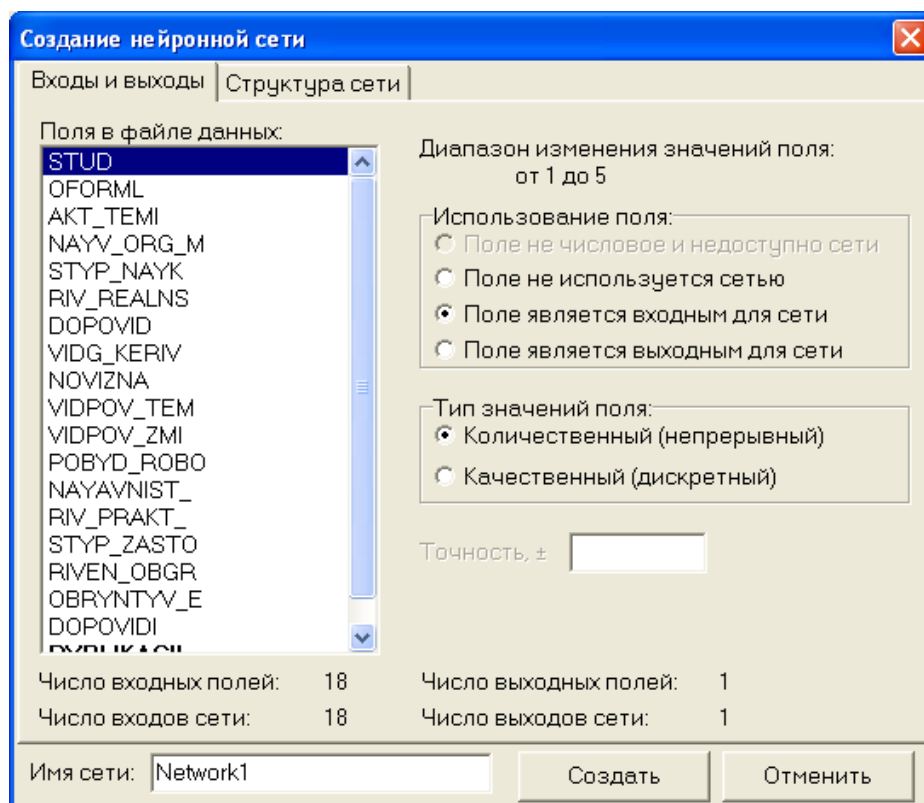


Рис. 14. Створення нейронної мережі

У вкладці «Структура сети» виставляємо кількість шарів нейронів, задаємо характеристику. Тут же можна назвати свою мережу. Після чого натискаємо на «Создать»

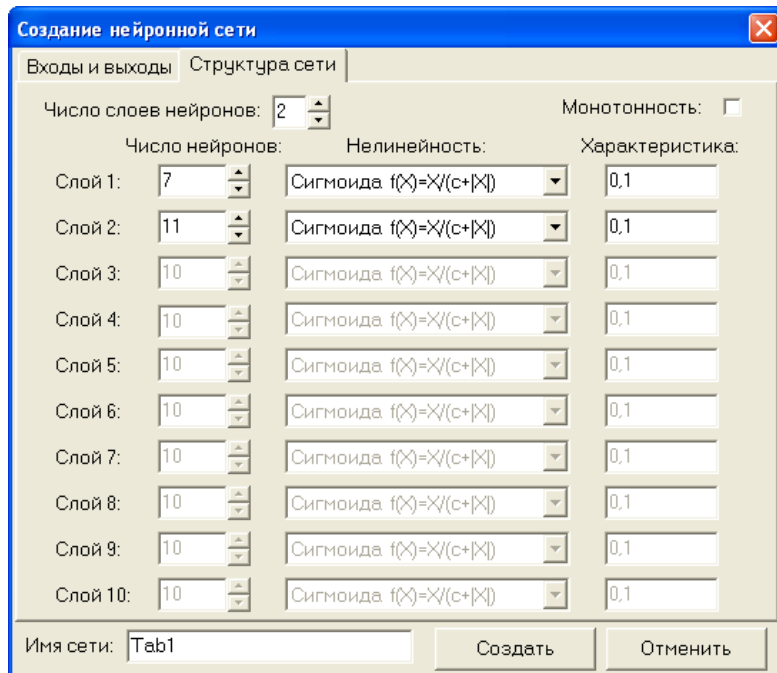


Рис. 15. Створення нейронної мережі

Тепер щоб програма обробила ваші дані, заходимо у вкладку «Нейросеть» потім натискаємо вкладку «Обучение».

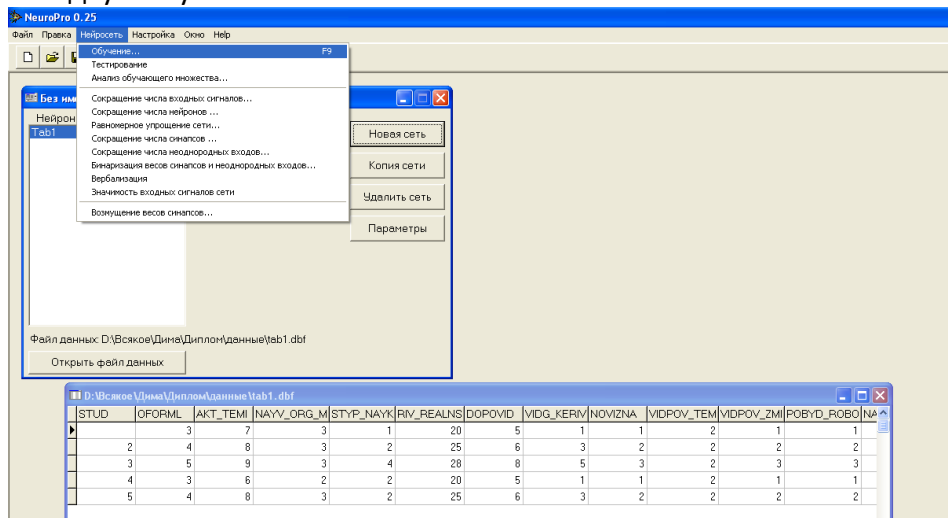


Рис. 16. Оброблення даних

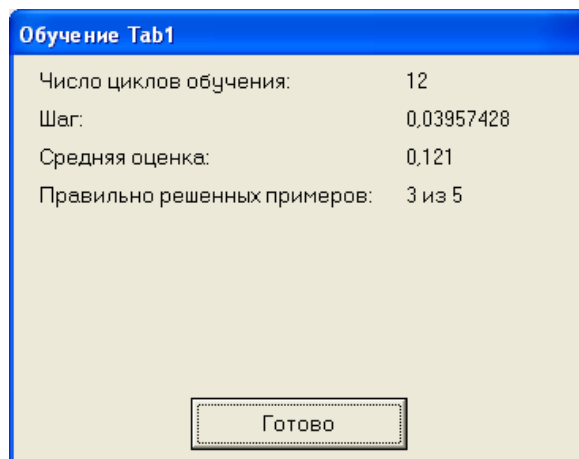


Рис. 17. Результат навчання

Тепер вибираємо вкладку "Тестування".

№	STUD	Прогноз сети	Ошибка
1	1	1,296825	-0,2968249
2	2	3,499973	-1,499973
3	3	3,303606	-0,3036056
4	4	4,120793	-0,1207929
5	5	3,499973	1,500027
		Правильно:	3 (60%)
		Неправильно:	2 (40%)
		Всего:	5
		Ср.ошибка:	0,7442447
		Макс.ошибка:	1,500027

Рис. 18. Тестування

Тепер вибираємо вкладку «Анализ обучающего множества».

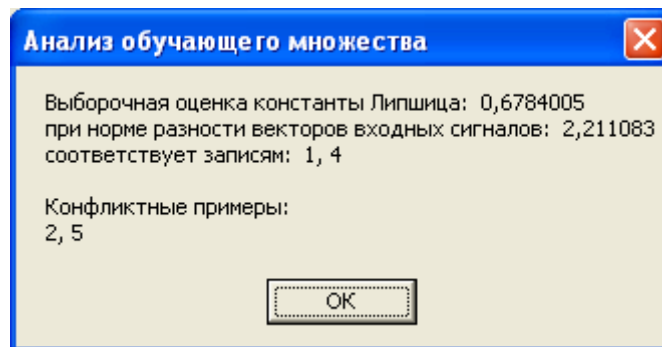


Рис. 19. Аналіз навчальної множини

Сигнал	Значимость
OFORML	0,02823586
AKT_TEMI	0,5541047
NAYV_ORG_M	1
STYP_NAYK	0,4158547
RIV_REALNS	0,1885027
DOPOVID	0,158664
VIDG_KERIV	0,1035945
NOVIZNA	0,08694974
VIDPOV_TEM	0
VIDPOV_ZMI	0,1046346
POBYD_ROBO	0,04020157
NAYAVNIST_	0,07709325
RIV_PRAKT_	0,1339068
STYP_ZASTO	0,08921535
RIVEN_OBGR	0,04177305
OBRYNTYV_E	0,1499817
DOPOVIDI	0,1347194
PYBLIKACII	0,08433998

Рис. 20. Таблица значимости входных сигналов в сети



Рис. 21. Опис

За допомогою попередніх щорічних результатів оцінювання по критеріям магістерських робіт можна зрівняти виводи, які зроблені за допомогою програми Neuro pro 0,25. Результати представлені нижче на Рис. 22-23.

№	STUD	Прогноз сети	Ошибка
1	1	1.296825	-0.2968249
2	2	3.499973	-1.499973
3	3	3.303606	-0.3036056
4	4	4.120793	-0.1207929
5	5	3.499973	1.500027
		Правильно:	3 (60%)
		Неправильно:	2 (40%)
		Всего:	5
		Ср.ошибка:	0,7442447
		Макс.ошибка:	1,500027

Рис. 22. Результат по першій групі

№	STUD	Прогноз сети	Ошибка
1	1	1.014238	-0.0142388
2	2	3.499836	-1.499836
3	3	3.188006	-0.1880057
4	4	4.120214	-0.1202145
5	5	3.499836	1.500164
		Правильно:	3 (60%)
		Неправильно:	2 (40%)
		Всего:	5
		Ср.ошибка:	0,6644918
		Макс.ошибка:	1,500164

Рис. 23. Результат по другій групі

Результати дослідження представлені в Таблиці 1 оцінювання результатів.

Таблиця 1. Таблиця результатів оцінювання

Студенти	Група 1	
1	1,296825	-0,2968249
2	3,499973	-1,4999730
3	3,303606	-0,3036056
4	4,120793	-0,1207929
5	3,499973	1,5000270
	Якість випускних робіт	0,0176
Студенти	Група 2	
1	1,014238	-0,0142385
2	3,499836	-1,499836
3	3,188006	-0,1880057
4	4,120214	-0,1202145
5	3,499836	1,500164
	Якість випускних робіт	0,0142
Студенти	Група 3	
1	0,78283	0,2171700
2	3,500322	-1,5003220
3	3,357465	-0,3574646
4	3,638451	0,3615494
5	3,500322	1,499678
	Якість випускних робіт	0,0366
Студенти	Група 4	
1	1,356854	-0,3568541
2	3,499809	-1,4998090
3	3,351157	-0,3511574
4	3,687659	0,3123412
5	3,499809	1,500191
	Якість випускних робіт	0,0246

За результатами вербального опису ми сміливо можемо сказати що третя група студентів краще за всіх захистилася та її якість випускних робіт вища за всі інші групи і дорівнює 0,0366 .

Проведені розрахунки згідно представленої моделі показали ефективність використання нейро-мережової моделі MLP, яка базується на оцінках, зроблених за допомогою методів системного аналізу.

Літератури:

1. Воробйов Ю., Вассерман О., Пашков А. Визначення рейтингу вищих навчальних закладів на підставі багатьох показників // Вища школа-2003-№ 4-5.
2. Вітлінський В. В., Великоіваненко Г. І. Моделювання економіки: Навч.-метод. посіб. для самост. вивч. дисц. – К: КНЕУ, 2005. – 306 с.
3. Чебан О. Д. Перетворення експертних якісних характеристик об'єктів у кількісні оцінки / Донецький національний університет. Економічна кібернетика // Міжнародний науковий журнал. – 2002. № 3-4. С. 16-21.
4. Яременко О., Балакірева О. Методика визначення інтегрованого рейтингу вищих навчальних закладів // Вища школа. – 2001. – № 6. –С. 58-70.
5. Сметанський М. Контроль за навчально-пізнавальною діяльністю студентів: проблеми, шляхи розв'язання // Вища школа. – 2004. – № 4. –С. 63-68.
6. Денисенко В. А. Инновационный способ оценки совокупного качества учебного процесса вуза. // Инновации в образовании. – 2006. – № 1. – С. 56-58.

2.14. Creative Hub ARTCOR – modern engine of innovation and creativity in Chisinau

2.14. Creative Hub ARTCOR – современный двигатель инноваций и креатива в Кишиневе

Введение. Creative Hub ARTCOR – первый в Республике Молдова инновационный центр, посвященный культурному развитию и совершенствованию творческой индустрии в Кишиневе.

ARTCOR Hub расположен в двух зданиях, часть в помещении Академии Музыки, Театра и Изобразительных Искусств (АМТИИ) на первом этаже и в его подвале. Вторая же часть расположена в совершенно новом здании, построенном специально для этого творческого центра. Его по праву можно отнести к памятникам современной архитектуры, автором которого является Максим Калужак. Он же растолковывает принцип создания своего архитектурного проекта и идейного замысла здания следующим образом: «Новое здание, которое сейчас строится, находится в непосредственной близости от других строений разных эпох, таких как поздний Советский Союз, но также и царский период». Дабы не вступать в «конфликт» со всеми этими архитектурами, а вместо этого «сотрудничать» с ними, автор строения решил создать свой проект на тему дизайна пространства для креативных людей и для творческой индустрии в целом, и снаружи, и изнутри.

«...сначала я продумывал и визуализировал для себя пространство, где будут находиться люди. Что они там будут делать, как взаимодействовать. Потом это пространство нужно было облечь во внешнюю форму. Здание Artcora – это реакция современной архитектуры на тот кишиневский двор, где здание расположено. По стечению обстоятельств двор Академии Искусств на 31 августа отражает всю историю архитектуры Кишиневе. Три здания. Одно еще «царской» постройки, одно – назовем это «советской сталинской классикой» и третье, гостиница Dacia, это образец уже архитектуры позднего советского периода. Artcor – реакция современной архитектуры на эту среду. Пространство искусства в оболочке бетона и тонкой скорлупе поржавевшей кортеновской стали», заключает в своем интервью для П. Зинган и О. Бажура.²⁷²

Это оригинальное здание будет окружено со временем большим количеством зелени. Для этого автор и организаторы проекта разрушили несколько зданий, чтобы освободить место для будущих посадок деревьев и мн. др.



Рис. 1. Проект строения Арткор

Как отмечает Максим Калужак, архитектор здания, зачастую все ведущие архитекторы не занимаются благоустройством близлежащей к строению территории, а ведь важно

²⁷² Интервью с М. Калужак. http://pavelzingan.md/maksim-kaluzhak-kishinevu-nuzhno-bylo-prostranstvo-dlya-iskusstva/?fbclid=IwAR2T4OIWcu977Rml4Vd6qXfH_dLBIO-jBaX0P4ZTmx8cUfGVzWd48JbQHj8.

организовать пространство, создать удачный целостный дизайн в целом. «Здания и ландшафт должны быть в единой гармонии»²⁷³, отмечает Максим.

Общий научный обзор феномена. Научное осмысление характера инновационности творческих достижений современных художников и архитекторов Республики Молдова потребовало сегодня обращения к феноменологии различных явлений, в том числе искусствоведческих и педагогических, которыми выступает в художественной педагогике инновационность. Анализ множества теоретических источников по проблеме взаимосвязи традиционности и модерна²⁷⁴ в культуре и искусстве²⁷⁵, феномена инновационности и специфика инновационного подхода в художественной деятельности личности позволяют утверждать, что источником инноваций следует считать целенаправленный поиск творцами (художниками, архитекторами и скульпторами) идей, реализованных в ускоренном процессе развития технологий и тесно переплетающихся с современными тенденциями в мировом (европейском) искусстве.²⁷⁶ Перечислим авторов, исследовавших разные грани явлений традиционности и инновационности в педагогической практике и в современном искусстве, это украинские ученые И. Богданова, Л. Ващенко, Н. Кичук²⁷⁷, О. Попова, В. Скрипник, В. Моляко, М. Волошин, И. Пастыр, О. Герасимова, Т. Кара-Васильева, З. Чегусова, Т. Сиваш²⁷⁸, молдавские исследователи Т. Буларга²⁷⁹, В. Малкочь²⁸⁰, М. Шлапак, А. Мариан, Л. Тома, Т. Нестерова, О. Арбуз-Спатарь²⁸¹, А. Симак²⁸², А. Старцева, В. Бузилэ, Л. Моисей (ИКН) и др.).

В нашем случае речь идет о социально-культурной востребованности методов усовершенствования художественно-эстетической среды и активной (креативной) жизнедеятельности наших современников, изменений в традиционных формах представлений о модерне, о чем-то высоком, духовном, совершенном. Именно это характеризует нестандартный подход молдавских авторов, архитекторов, дизайнеров, которые смогли реализовать в 2019 году масштабный и дорогостоящий творческий проект, реконструкцию здания АМТИИ под креативный центр АРТкор.

О Creative Hub ARTCOR. ARTCOR – первый в Республике Молдова инновационный центр, посвященный развитию и совершенствованию творческой индустрии.

²⁷³ Там же.

²⁷⁴ Babin, I., Simac, A., „Covoarele moldovenești – dialog între tradiții și modernitate”, în *Educația din perspectiva valorilor*, tom XI: Summa Theologiae, Editura EIKON, București, 2017, pp. 221-226.

²⁷⁵ Arheim R., *Arta și percepția vizuală, o psihologie a văzului creator*, București, Editura Meridiane, 1979, 236 p.

²⁷⁶ Бабина Ю. И., *Металл в ткачестве – как параметр инноваций украинской художницы Ярославы Ткачук*. В: *Новый уровень образования: монография* / [авт. кол.]. – Одесса: Куприенко С. В., 2018, – с. 138-149.

²⁷⁷ Кічук Н. В. Готовність майбутнього вчителя початкових класів до створення освітнього середовища учня як результат професійної підготовки до інноваційної діяльності / Н. Кічук // *Збірник наукових праць Національної академії Державної прикордонної служби України*. Серія: Педагогічні науки. – 2016. – № 1. – С. 82-91. – Режим доступу: http://nbuv.gov.ua/UJRN/znpnadpcpn_2016_1_9.

²⁷⁸ Сиваш Т. Проблема художньо-творчого розвитку учнів початкової школи в контексті діалогу традиційних підходів та педагогічної інноватики. В: *Сучасні інформаційні технології та інноваційні методи навчання у підготовці фахівців: методологія, теорія, досвід, проблеми*. – Вінниця. – 2016. – Вип. 46. – С. 50-54.

²⁷⁹ Bularga T. The implementation of formative-innovative praxeology in artistic education. Optimization of connection theory – artistic praxeology. In: *Fostering the innovative strategies for contemporary artistic education development: Conferința științifico-practică internațională, Ediția a 2-a, 15-16 iunie 2018* / coord.: Tatiana Bularga. – Bălți: S. n., 2018 (Tipogr. "Indigou Color"), – pp. 26-33.

²⁸⁰ Malcoci V. *Trăsături specifice ale decorului arhitectural în piatră din zona de nord a Moldovei*. Chișinău: Știința, 1995. Nr.2. P. 15.

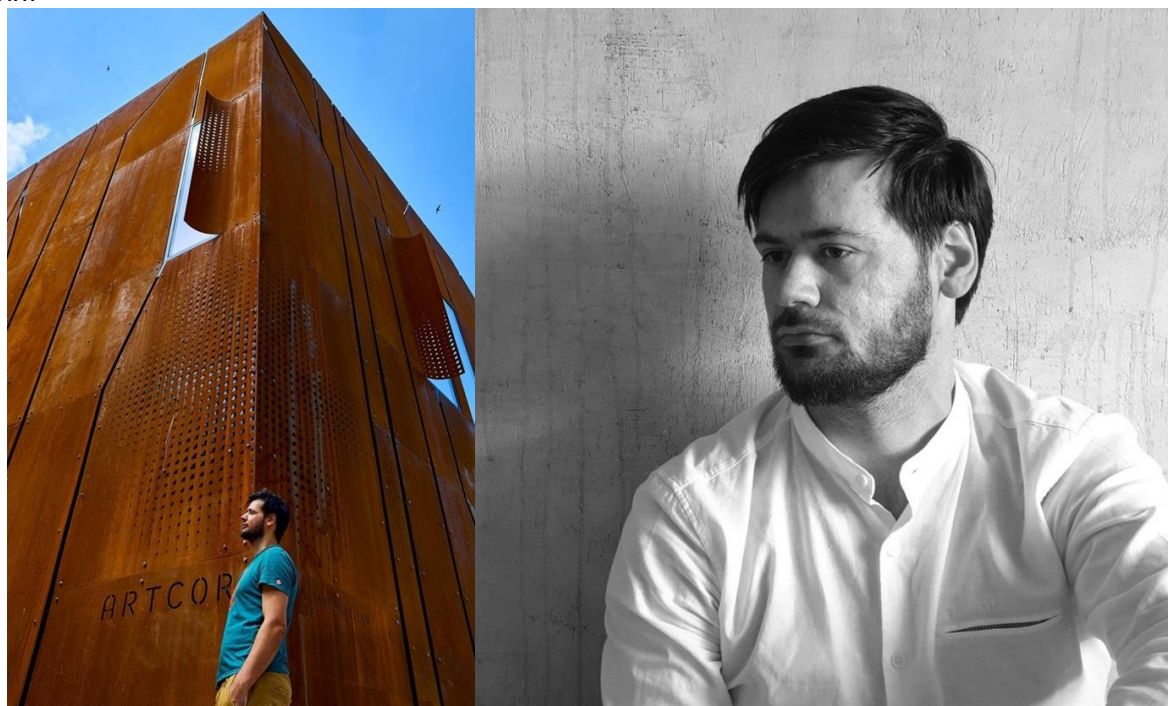
²⁸¹ Arbuz-Spatari O., „Proiectarea și elaborarea metodologiei dezvoltării creativității artistice la studenții facultăților de arte plastice și design”, în *Conferința științifică internațională "UPS" I. Creangă" la 70 ani*, Vol. I, Chișinău, 2010, P. 463-472.

²⁸² Arbuz-Spatari O., Simac A., „Dezvoltarea creativității artistice la studenți în cadrul cursului de artă textilă”: ghid metodic / Garomont Studio, Chișinău, 2012. – 251 p.



Рис. 2. Creative Hub ARTCOR

Революционная архитектура в Кишиневе, реализованная Калужаком Максимом, молодым, но весьма настойчивым в продвижении своих идей архитектором. Во дворе Академии музыки, театра и изобразительных искусств он воздвигнул здание ARTCOR, обустроил пространство и модернизировал некоторые помещения уже существующего здания.



*Рис. 3. Гениальный молдавский архитектор, Максим Калужак
(Фото: Иван Безвуцак, Олег Бажура)*

Даже в самом амфитеатре, по задумке архитектора, много смыслов. Это прежде всего многофункциональность эксплуатируемой крыши Арткора. «Он [ARTcor] должен стать примером, как дома возвращают горожанам то пространство, которое они занимают. В первоначальном проекте на крышу можно было подняться по-другому. Но амфитеатр стал лучшим решением. Вообще, я считаю, что есть целая пропасть или целая жизнь от бумажного проекта, до его воплощения в реальности. Амфитеатр Artcor-а тому подтверждение. Амфитеатр – это и приглашение воспользоваться двором не только как участник, но и как зритель. Не зря на ступеньках амфитеатра номера. Это готовые места, чтобы смотреть представления на сцене, которая размещена в глубине двора».²⁸³

Отметим, что у амбициозного архитектора, который на профессиональном уровне продумал в проекте все до мелочей, получился успешный тандем с молдавским художником и педагогом АМТИИ (членом СХ РМ), Василе Ситарь.



Рис. 4. Молдавский художник-педагог, живописец Василе Ситарь. Возле своей скульптуры.

Для строительства творческого центра было приложено немало усилий и денежных средств (была оказана поддержка со стороны USAID, USUK, Швеции, Министерства образования, культуры и исследований РМ и др.). Также Министерство образования, культуры и исследований предложило землю для строительства здания и открытия этажа перед третьим блоком факультета изящных искусств АМТИИ.

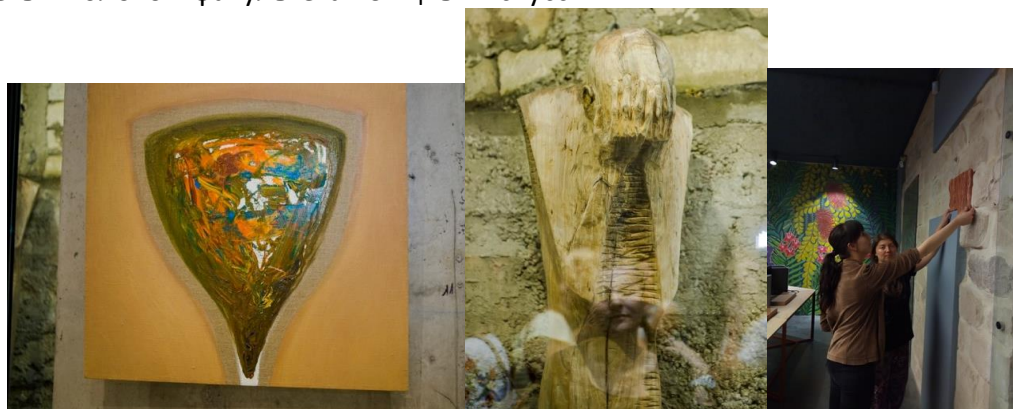


Рис. 5. Произведения искусства, которыми украшено здание Арткор

²⁸³ Интервью с Максимом Калужак. http://pavelzingan.md/maksim-kaluzhak-kishinevu-nuzhno-bylo-prostranstvo-dlya-iskusstva/?fbclid=IwAR2T4OIWcu977Rml4Vd6qXfH_dLBIO-jBaX0P4ZTmx8cUfGVzWd48JbQHj8. (дата обращения: 06. 08. 2019).

Центр креативных возможностей предоставляет разные услуги и рабочие места для совместной творческой работы молодых людей, в том числе пять офисов, места для проведения мероприятий (семинары, конференции, мастер-классы и т.д.). В здании имеются комната для переговоров, медиатека, музыкальная комната (со сценой и 2 комнаты для записи произведений).

Арткор оказывает и креативные услуги в области графики, аудио и видеопродукции, а также дизайна интерьера, 2D и 3D анимации, архитектуры, создания онлайн игр. Здесь открыты и совершенно новые возможности для учащихся, например, альтернативное образование, участие в различных программах ускорения, специализированных курсах, программах наставничества.²⁸⁴



Рис. 6. На открытии креативного центра ARTcor (3 июня 2019 г.), студенты, педагоги ФИДИД, АМТИИ



Рис. 7. Мастер-классы по керамике в Арткор, руководитель – Елена Фрунзе, 2019

Что же касается вопроса кто именно и как сможет участвовать в мероприятиях, организованных в Арткоре, отвечает исполнительный директор инновационного центра, г-жа Виорика Чербушка.

«В зависимости от вида деятельности, расходы также будут разными. В первую очередь, будут иметь возможности участвовать на различных тренингах, в местах для совместной работы и реализации проектов студенты АМТИИ, потому что именно Академия

²⁸⁴ La Chișinău va fi deschis primul hub inovativ din țară, dedicat industriilor creative...diez. Știri pentru tineri. <https://diez.md/2019/01/21/foto-la-chisinau-va-fi-deschis-primul-hub-inovativ-din-tara-dedicat-industiilor-creative-cum-va-arata-cladirea/>(дата обращения: 06. 08. 2019).

искусств выделила пространство для создания этого центра. Иностранные студенты из разных университетов также приглашаются сюда для разработки и претворения своих идей в реальность. Могут сказать, что услугами этого центра могут пользоваться не только студенты, но и молодые люди из профессионально-технических училищ, колледжей», рассказала в интервью Виорика Чербушка (основатель хаба и директор центра).

В стенах АРТкора на высоком уровне будут проходить защиты дипломных и магистерских работ выпускников АМТИИ.

Дипломная работа студентки, Александры Петраш, под названием «QUIET STORM» – это «настоящая квинтэссенция мыслей и чувств на тему меланхолии и её «солнечной» стороны», отмечает автор произведения. Потому этот объект, который отличается оригинальностью не только в смысловом значении, но и по выбору материала, технике изготовления и композиционному построению, особенно привлек наше внимание. Проект диплома в декоративно-прикладном искусстве (не имеет ничего общего с текстилем) выполнен в необычной инновационной технике, изготовлен из ручной бумаги и волокон.



Рис. 8. Дипломная работа студентки, «QUIET STORM», ФИДИД, АМТИИ, 2019.
(Фото: педагог АМТИИ, худ. руководитель Ольга Илиеш)



Рис. 9. Дипломная работа, «QUIET STORM», Александры Петраш, АМТИИ.



Рис. 10. Защиты дипломных работ выпускников АМТИИ, ФИДИД, 2019

О ходе строительства. Амфитеатр, как объясняет Максим, – «это разрез здания. Желание показать, что у него внутри. Поэтому и стена с барельефами, которые символизируют человеческие чувства. Не все барельефы удалось установить по этическим причинам, я считаю, что сексуальное влечение – это такая неотъемлемая часть жизни человека и искусства, что и оно заслуживало своих образов. Но, возможно, два недостающих барельефа займут свои места на стене в будущем».²⁸⁵



Рис. 11. HUBARTCOR в процессе строительства

²⁸⁵ Интервью с Максимом Калужак. http://pavelzingan.md/maksim-kaluzhak-kishinevu-nuzhno-bylo-prostranstvo-dlya-iskusstva/?fbclid=IwAR2T4OIWcu977Rml4Vd6qXfH_dLBIO-jBaX0P4ZTmx8cUfGVzWd48JbQhJ8. (дата обращения: 06. 08. 2019).



Рис. 12. Процесс создания барельефов керамистами и скульпторами АМТТИИ (Фото – Е. Фрунзе)



Рис. 13. Рельефы для внешнего оформления здания (подготовительный этап)



Рис. 14. Индивидуальный дизайн здания креативного центра, внешняя сторона (рельефное произведение Идентификация). Соавтор – Е. Фрунзе



*Рис. 15. Холл, студии, конференц-зал в Хабe АРТКОР, в центре фото (слева)
Ректор АМТИИ – Виктория Мельник, справа – роспись на стене. Кишинев, 2019*

Внутренние стены ARTCOR содержат четыре оригинальные фрески. Над их созданием работали четыре художника. Одним из них является Надя Изосимова, которая объясняет в своем интервью для *diez*²⁸⁶, что «идея создания этой настенной росписи родилась, когда она несколько раз приезжала сюда, чтобы проникнуть в суть концепции ARTCOR».

«...На изображении представлено существо. Это и ни мужчина, и ни женщина. Я пыталась передать образом, как человек может быть больше, чем само его отображение...», – откровенно рассказывает художница. На что потребовалось автору произведений около девяти дней (Рис. 16).



Рис. 16. Надя Изосимова, фрески

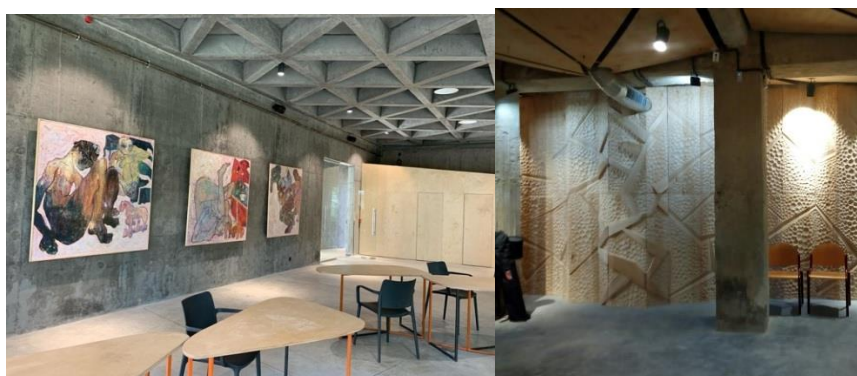


Рис. 17. Холл, студии, конференц-зал в Хабe АРТКОР, Кишинев, 2019. (Фото: сайт Арткор)

Фирменный стиль и логотип первого инновационного творческого центра в Кишиневе разработала дизайнер Вероника Белоус. Вот что она говорит: «Идея ARTCOR была извлечена

²⁸⁶ La Chișinău va fi deschis primul hub inovativ din țară, dedicat industriilor creative...*diez*. Știri pentru tineri. <https://diez.md/2019/01/21/foto-la-chisinau-va-fi-deschis-primul-hub-inovativ-din-tara-dedicat-industiilor-creative-cum-va-arata-cladirea/> (дата обращения: 06. 08. 2019).

из архитектуры главного здания. В конструкции моста со второго этажа мы находим символ в логотипе, а во внешнем отделочном материале – основной цвет. Символ отражает сообщество и место его сближения, а цвет трудно игнорировать, как и сила, которая появляется, когда многие профессионалы, люди, которые страстно выполняют свою работу, собираются вместе. Радиусы символа могут быть как расширенными, так и небольшими, адаптируясь к окружающей среде. Символ имеет два основных состояния: линейный – когда сам скелет; силуэт – когда это тело с фиксированной рамой, но со стилем, цветом, фактурой, толщиной, деталями»²⁸⁷.

Выводы. В данной работе мы постарались провести обзор важного события 2019 года в культурной жизни столицы, ознакомить зарубежных читателей, архитекторов, культурологов, художников-педагогов, дизайнеров с новейшими достижениями в развитии креативной индустрии Республики Молдова. Авторы поделились накопленным опытом в сфере декоративно-прикладного искусства, в рамках художественного факультета Кишиневской Академии Музыки, Театра и Изобразительных Искусств, результатами учебно-творческой деятельности департамента декоративного искусства и скульптуры. В настоящем исследовании мы не провели детальный анализ архитектурного строения, по всем известным канонам, статья носит ознакомительный характер с элементами публицистики, но все же мы осмеливаемся назвать это революционное творение Максима Калужака, молдавского архитектора, памятником современной архитектуры города.

Данный инновационный центр является ядром современного искусства и креативной индустрии в Молдове, поэтому основное внимание здесь уделено развитию стартапа. Как заключает Виорика Чербушка, «это будет обеспечено путём разработки различных программ развития навыков предпринимательства и отраслевых навыков в данной творческой индустрии».

Литература:

1. Бабина Ю. И., *Металл в ткачестве – как параметр инноваций украинской художницы Ярославы Ткачук*, В: *Новый уровень образования: монография* / [авт. кол.]. – Одесса: Куприенко С. В, 2018 – С. 138-149.
2. Волошин М. А., *Лики творчества*. Л.: Наука, 1988. – 863 с.
3. Кічук Н. В. *Готовність майбутнього вчителя початкових класів до створення освітнього середовища учня як результат професійної підготовки до інноваційної діяльності* / Н. Кічук // *Збірник наукових праць Національної академії Державної прикордонної служби України*. Серія: Педагогічні науки. – 2016. – № 1. – С. 82-91. – Режим доступу: http://nbuv.gov.ua/UJRN/znpnadrcpn_2016_1_9.
4. Моляко В. А. *Творческая конструкторология (пролегомены)* – К.: Освіта України, 2007. – 388 с.
5. Симак, А. И., Бабина, Ю. И., „Особенности становления народного ковричества и современного гобелена в Украине и в Молдове”, в сб. научных тезисов, т. I, *International scientific journal*, 2016, № 4. – С. 13-18.
6. Кара-Васильева Т., Чегусова З. *Декоративне Мистецтво України ХХ століття*. – Київ, вид. «Либідь», 2005. – 280 с.
7. Пастир І. В. *Педагогіка художньої творчості: монографія*. Ізмаїл: СМІЛ, 2016. – 250 с.
8. Симак А. И., Бабина Ю. И. *Применение традиций народного орнамента в современном ковроткачестве Молдовы и Украины*. [Электронный ресурс] / А. Симак, Ю. Бабин // *Сучасні інформаційні технології та інноваційні методики навчання у підготовці фахівців: методологія, теорія, досвід, проблеми*. – 2016. – Вип. 46. – С. 306-310. – Режим доступу: http://nbuv.gov.ua/UJRN/Sitimn_2016_46_79.

²⁸⁷ La Chişinău va fi deschis primul hub inovativ din țară, dedicat industriilor creative...diez. Știri pentru tineri. <https://diez.md/2019/01/21/foto-la-chisinau-va-fi-deschis-primul-hub-inovativ-din-tara-dedicat-industiilor-creative-cum-va-arata-cladirea/> (дата обращения: 06. 08. 2019).

9. Moisei L. Ornamentul – fenomen artistico-estetic: (Viziuni ontologice și estetice asupra ornamenticii țesăturilor tradiționale). – Chișinău: Pontos, 2017 (Tipografia „Bons Offices”). – 272 p.: fig. tab.
10. Simac A. I. Tapiseria contemporană din Republica Moldova. (Evoluția tapiseriei contemporane din Republica Moldova înanii 1960-2000). – Chișinău. – Știința. – 2001. – 160 p.
11. "Valorificarea strategiilor inovaționale de dezvoltare a învățământului artistic contemporan", conferința științifico-practică internațională (2 ; 2018 ; Bălți). Valorificarea strategiilor inovaționale de dezvoltare a învățământului artistic contemporan = Fostering the innovative strategies for contemporary artistic education development: Conferința științifico-practică internațională, Ediția a 2-a, 15-16 iunie 2018 / coord.: Tatiana Bularga. – Bălți: S. n., 2018 (Tipogr. "IndigouColor"). – 358 p.:fig., tab.
12. La Chișinău va fi deschis primul hub inovativ din țară, dedicat industriilor creative...diez. Știripentrutineri. <https://diez.md/2019/01/21/foto-la-chisinau-va-fi-deschis-primul-hub-inovativ-din-tara-dedicat-industiilor-creative-cum-va-arata-cladirea/> (дата обращения: 06. 08. 2019).

Список аббревиатур:

АМТИИ – Академия Музыки, Театра и Изобразительных Искусств

в. – век

г. – год

ГПУК – Государственный педагогический университет имени Иона Крянгэ

ИКН – Институт Культурного Наследия

РМ – Республика Молдова

СХ РМ – Союз Художников Республики Молдова

ФИДИД – Факультет Изобразительного, Декоративного Искусства и Дизайна

2.15. Psychological and pedagogical aspects of organization of information interaction in the conditions of using electronic educational resources

2.15. Психолого-педагогічні аспекти організації інформаційної взаємодії в умовах використання електронних освітніх ресурсів

При організації підготовки майбутніх фахівців необхідно враховувати загальноосвітні, світоглядні, психолого-педагогічні і технологічні компоненти інформаційної компетентності.

Сучасні вимоги до освітнього процесу передбачають вдосконалення методичних засобів і форм організації навчальної діяльності, а також умов спілкування, інформаційної взаємодії між викладачем, студентом і засобами навчання. В. В. Любченко вважає, що існуючі на сьогодні моделі інформаційної системи навчання та взаємодії між суб'єктом і об'єктом навчання не розглядають процес навчання в цілому як інформаційний процес. Він виокремлює дві основні групи моделей: 1) дидактичні моделі взаємодії, які орієнтовані на визначення методу навчання, форми його реалізації, визначення педагогічних засобів та технік, навчальних матеріалів та очікуваних результатів; 2) технологічні моделі взаємодії, які орієнтовані на визначення способу організації навчальних матеріалів, вибору системи управління навчанням та організації підтримки об'єкту навчання.²⁸⁸

На необхідність розв'язання різноманітних проблеми, пов'язаних із розвитком ідеї педагогічної взаємодії, вказують сучасні українські вчені-педагоги Г. А. Бал, М. Г. Вієвська, В. В. Власенко, О. В. Глузман, О. М. Друганова, С. Т. Золотухіна, М. Б. Євтух, Л. В. Кондрашова, В. С. Курило, В. К. Майбородова, О. М. Микитюк, С. О. Микитюк, Л. В. Нечаєва, Н. С. Побірченко, Н. В. Пузиркова, О. А. Рацул та ін. Проблеми особливостей навчальної взаємодії розглядали Н. В. Єлізарова, М. І. Фрумін, Г. А. Цукерман, Е. В. Чудінова й ін. В роботах закордонних авторів Р. Селман, О. Стауфорд, М. Фландерс, М. Хаузен розглядається взаємодія у навчанні, виходячи з положень гуманістичної й когнітивної психології. Формування комунікативних вмінь і навичок досліджували З. І. Білоусова, І. Г. Кирилова, М. П. Васильєва, В. В. Каплинський, Н. М. Косова, М. А. Коць, Т. Я. Шепеленко та ін. Емоційно-комунікативну сторону навчальної взаємодії аналізують у своїх працях Е. І. Беленкіна, Л. В. Жарова, В. В. Котов, М. М. Рібакова, М. В. Сєдова, Р. Х. Шакуров та ін.²⁸⁹

Незважаючи на широке коло існуючих досліджень, що розкривають різні аспекти «педагогічної взаємодії» («педагогіку взаємодії» (А. С. Белкін, І. А. Зимова, Є. В. Коротаєва, А. І. Кравченко, М. І. Щевандрін); «педагогіку підтримки» (О. С. Газман, Н. М. Михайлова, С. М. Юсфін); «педагогіку співробітницької взаємодії» (Л. В. Байбородова); організацію навчальної взаємодії в колективних, кооперативних, групових формах роботи (А. І. Донцов, Х. Й. Лийметс, А. В. Петровський, В. В. Фляків, Д. І. Фельдштейн, Г. А. Цукерман, С. Г. Якобсон), раціонально-психологічний напрям (П. П. Блонський, Г. О. Гордон, А. Г. Калашников, А. В. Луначарський, А. П. Пинкевич, Л. М. Рубінштейн)), на даний момент, не можна говорити про існування цілісної характеристики ідеї «педагогічної взаємодії» як міждисциплінарної, психолого-педагогічної проблеми, яка би мала чітко відпрацьований нормативно-термінологічний апарат, що є таким необхідним на теперішньому етапі реформування принципів побудови системи вищої освіти України.²⁹⁰

Термін «педагогічна взаємодія» як поняття в науковій літературі трактується неоднозначно. У філософії взаємодія розглядається як категорія, що відображає процеси

²⁸⁸ Любченко В. В. Модель інформаційної взаємодії в процесі навчання / Любченко В. В. / *Радіоелектронні і комп'ютерні системи*, 2012, № 7 (59). С. 38-40.

²⁸⁹ Савенкова Л. Комунікативність учителя. // *Педагогіка толерантності*. / Л. Савенкова / 2007. – № 1. – С. 94-100.

²⁹⁰ Третьяков П. И. Адаптивное управление педагогическими системами: Учеб. пособие для студ. высших учеб. заведений. / Третьяков П. И., Митин С. Н., Бояринцева Н. И. / М., 2003. С. 31-32.

впливу різних об'єктів один на одного, їх взаємообумовленість, взаємоперехід, зміну стану (О. О. Бодальов, Л. П. Буєва, Б. Ф. Ломов, Б. Д. Паригін).²⁹¹

В психології термін «міжособистісна взаємодія» розуміється як сукупність зв'язків і взаємовпливів людей, що відбуваються в процесі спільної діяльності. В. А. Кан-Калік і Н. Д. Нікандров, вивчаючи соціально-психологічну взаємодію, розглядають її як механізм спілкування і ототожнюють її з процесом співтворчості. Вони вважають, що педагогічне спілкування – це соціально-психологічна взаємодія, в процесі якої відбувається ефект взаємозараження. Його основою є педагогічне співпереживання, емоційна спільність переживання педагога і дитини.²⁹²

Освітній процес являє собою багатопланову і поліморфну взаємодію. Це і власне навчальна або, точніше, навчально-педагогічна взаємодія учня і вчителя (студента – викладача); це і взаємодія учнів (студентів) між собою; це і міжособистісна взаємодія, яка може по-різному впливати на навчально-педагогічну взаємодію. Порівняння педагогічної взаємодії у різних формах навчання представлена на Рис. 1.

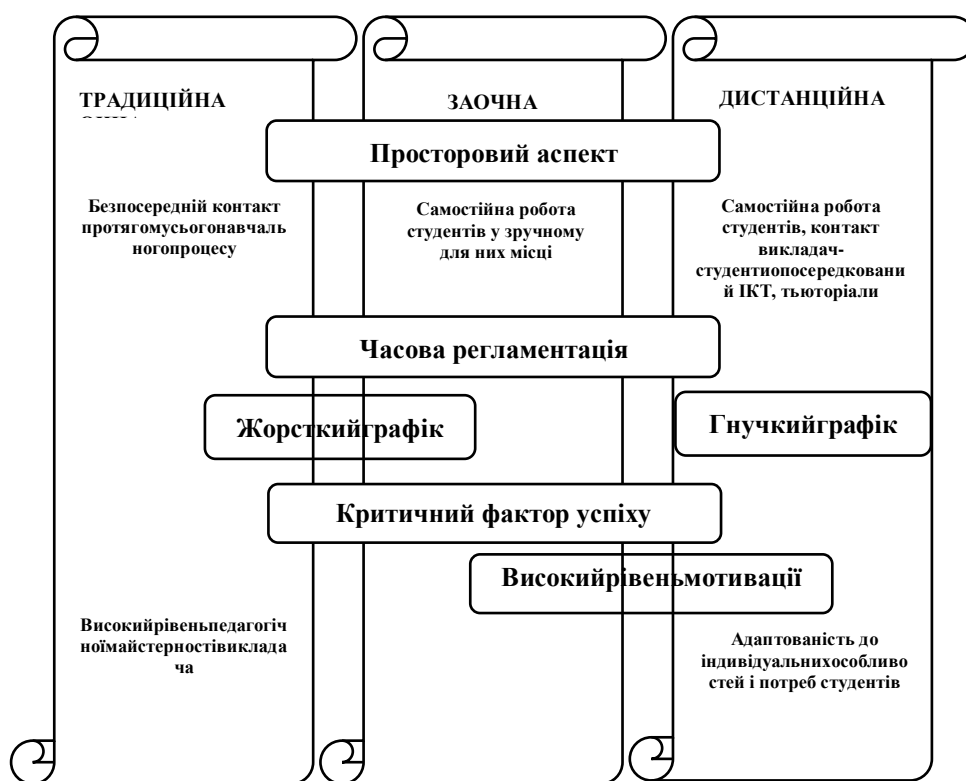


Рис. 1. Педагогічна взаємодія у різних формах навчання (порівняння)

Навчальна взаємодія характеризується активністю, усвідомленістю, цілеспрямованістю взаємних дій обох сторін – студентів (студента) – викладачів (викладача), що виступають у позиції суб'єктів, де узгоджена дія результується психічним станом контакту.

Навчально-педагогічна взаємодія – це взаємозв'язаний процес обміну різного роду дії між його учасниками (учнем і вчителем), який спрямований на вивчення (пізнання) студентом об'єктів матеріальної і духовної культури. Навчально-педагогічна взаємодія є

²⁹¹ Гальперин П. Я. Введение в психологию: учебн. пособ. для студ. высш. учебн. завед. / П. Я. Гальперин. – М.: Кн. дом "Университет", 2002. – 336 с.

²⁹² Нор К. Ф. Використання американського досвіду формування комунікативних умінь майбутніх учителів / К. Ф. Нор / Наукові праці: Науково-методичний журнал. Т. 28. Вип. 15. Педагогічні науки. – Миколаїв: Вид-во МДГУ ім. П. Могили, 2003. – С. 54-58.

спільною діяльністю студента і викладача. З боку студента – це діяльність учіння, з боку викладача – діяльність навчання.

Навчально-педагогічну взаємодію характеризують наступними ознаками:

- Наявність єдиної мети як усвідомлюваного і запланованого результату.
- Чіткий розподіл функціональних обов'язків між викладачем і студентами в навчально-педагогічній діяльності.
- Виникнення спілкування.

Під педагогічним спілкуванням розуміється система взаємодії викладача і студентів, змістом якого є обмін даними, здійснення навчально-виховного впливу, організація стосунків, а також «трансляція» викладачем своєї особистості студентам і сприймання ним студента. Педагогічне спілкування становить основу професійної діяльності викладача. Основні форми навчальної роботи проходять в умовах спілкування. Змістом спілкування виступають, передусім, обмін даними, організація викладачем взаємодії та взаєморозуміння зі студентами за допомогою різноманітних комунікативних засобів. Щоб зрозуміти роль викладача у характері його спілкування зі студентами, розглянемо, що таке педагогічне спілкування.

Педагогічне спілкування – це процес спілкування викладача і студентів на заняттях і поза ними, який має певні педагогічні функції і спрямований на створення сприятливого психологічного клімату.

Суб'єкт-суб'єктний характер педагогічного спілкування – принцип його ефективної організації, що полягає у рівності психологічних позицій, взаємній гуманістичній установці, активності педагога та студентів, взаємопроникненні їх у світ почуттів і переживань, готовності прийняти співрозмовника, взаємодіяти з ним (Гальперин, с. 78-79)²⁹³.

Професійно-педагогічне спілкування має соціальний і психологічний зміст. *Соціальний зміст* педагогічного спілкування визначається тим, що це спосіб передавання форм і змісту соціального досвіду, культури; засіб задоволення потреби людини в іншій людині; передумова психічного розвитку індивіда; чинник формування особистості. *Психологічна сутність* педагогічного спілкування полягає в тому, що воно розкриває психологічний зміст однієї людини для іншої, завдяки чому взаємозбагачується духовний світ і викладача, і студента.²⁹⁴

Професійно-педагогічне спілкування викладача зі студентами має такі цілі:

- інформаційна – взаємний обмін науковою і навчальною інформацією;
- ціннісно-орієнтаційна – передавання суспільно-значущих і професійно-важливих норм і цінностей;
- регулятивна – переконання, навіювання та інші засоби впливу для регуляції спільної діяльності;
- соціальна – узгодження спільних дій, отримання зворотного зв'язку про характер стосунків між суб'єктами педагогічної взаємодії;
- спонукальна – мотивація діяльності студента, його психологічна підтримка (Подоляк)²⁹⁵.

Отже, сучасна психолого-педагогічна наука розглядає педагогічну взаємодію як професійне спілкування викладача та студента на заняттях та після занять, яке спрямоване на

²⁹³ Гальперин П. Я. Введение в психологию: учебн. пособ. для студ. высш. учебн. завед. / П. Я. Гальперин. – М.: Кн. дом "Университет", 2002. – 336 с.

²⁹⁴ Психология общения: учебное пособие / А. А. Леонтьев. – 3-е издание. – Москва: Смысл, Академия, 2005. – 368 с.

²⁹⁵ Подоляк Л. Г. Психология вищої школи: Навчальний посібник для магістрантів і аспірантів / Подоляк Л. Г., Юрченко В. І. – К.: ТОВ "Філ-студія", 2006. – 320 с.

створення сприятливого, здорового психологічного клімату, на оптимізацію навчальної діяльності та відносин між викладачем та студентом (Богуш)²⁹⁶

Під електронними освітніми ресурсами у процесі підготовки майбутніх фахівців ми будемо розуміти програмні засоби навчального призначення, побудовані на основі наукових досягнень (психології, ергономіки, педагогіки, інформатики, теорії управління та ін.), які виконують частину функцій педагога, що забезпечують педагогічну комунікацію всіх суб'єктів освітнього процесу і інтерактивне управління навчально-пізнавальною діяльністю студентів.

Слід зазначити, що будь-який вміло розроблений комп'ютерно орієнтований засіб навчання не забезпечить сам по собі якості навчання вдосконалення навчального процесу. Головне при впровадженні ЕОР, як і будь-якого засобу навчання, це цілі і методика організації занять. Будь-який засіб навчання має розроблятися і застосовуватися з урахуванням цілей навчання. Питаннями виділення цілей при організації навчання займаються практично всі відомі педагоги і вчені.

І. В. Роберт виділяє наступні педагогічні цілі використання комп'ютерних засобів навчання (Роберт)²⁹⁷:

1. Розвиток особистості, підготовка індивіда до комфортного життя в умовах інформаційного суспільства:

- розвиток мислення (наприклад, наочно-дієвого, наочно-образного, інтуїтивного, творчого, теоретичного видів мислення);
- естетичне виховання (наприклад, за рахунок використання можливостей комп'ютерної графіки, технології мультимедіа);
- розвиток комунікативних здібностей;
- формування умінь приймати оптимальне рішення або пропонувати варіанти вирішення в складній ситуації (наприклад, за рахунок використання комп'ютерних ігор, орієнтованих на оптимізацію діяльності щодо прийняття рішення);
- розвиток умінь здійснювати експериментально дослідницьку діяльність (наприклад, за рахунок реалізації можливостей комп'ютерного моделювання або використання обладнання, що під'єднується до комп'ютера);
- формування інформаційної культури, умінь здійснювати обробку інформації (наприклад, за рахунок використання інтегрованих користувальницьких пакетів, графічних і музичних редакторів).

2. Інтенсифікація всіх рівнів навчально-виховного процесу:

- підвищення ефективності та якості процесу навчання за рахунок реалізації можливостей комп'ютерних засобів;
- забезпечення спонукальних мотивів (стимулів), що обумовлюють активізацію пізнавальної діяльності (наприклад, за рахунок комп'ютерної візуалізації навчальної інформації, вкраплення ігрових ситуацій, можливості управління, вибору режиму навчальної діяльності);
- поглиблення міжпредметних зв'язків за рахунок використання сучасних засобів опрацювання даних, в тому числі і аудіовізуальних, при вирішенні задач різних предметних областей.

На основі сформульованих вище педагогічних цілей визначають основні напрями впровадження електронних засобів навчання в освіту (Шевчук)²⁹⁸:

²⁹⁶ Богуш В. Теоретичні аспекти підтримки здорового психологічного клімату в системі «викладач-студент» / В. Богуш / . – Режим доступу: oldconf.neasmo.org.ua/node/1130.

²⁹⁷ Роберт І. В. Теория и методика информатизации образования (психолого-педагогический и технологический аспекты) 2-е издание, дополненное // И. В. Роберт. — М.: ИИО РАО, 2008. — 274 с.

- підвищення ефективності та якості навчання, вдосконалення процесу викладання;
- розширення інформаційно-методичного забезпечення освітнього процесу;
- автоматизація процесів контролю, комп'ютерного педагогічного тестування і психодіагностики;
- вдосконалення управління навчально-виховним процесом, навчальними закладами, системою навчальних закладів;
- посилення ролі комунікацій в цілях поширення передових педагогічних технологій;
- розвиток системи додаткової освіти і організація інтелектуального дозвілля, розвиваючих ігор.

Електронні освітні ресурси все частіше використовуються в процесі навчання фахівців, оскільки стають технологічною основою сучасної освіти, навчальних занять та сприяють розвитку нових методів організації та ведення навчального процесу.

Виділимо найбільш значущі, з точки зору дидактичних принципів, методичні цілі, які найбільш ефективно реалізуються з використанням електронних засобів навчання:

- індивідуалізація і диференціація процесу навчання;
- можливість індивідуальної траєкторії навчання студента на різних ступенях складності;
- здійснення контролю зі зворотним зв'язком, з діагностикою помилок;
- здійснення самоконтролю і самокорекції;
- здійснення тренування в процесі засвоєння навчального матеріалу і самопідготовки студентів;
- вивільнення навчального часу за рахунок виконання на комп'ютері трудомістких розрахунків;
- підвищення наочності подання навчальної інформації, а при необхідності – демонстрація в розвитку, в тимчасовому і просторовому русі, уявлення графічної інтерпретації досліджуваної закономірності досліджуваного процесу;
- моделювання та імітація досліджуваних об'єктів, процесів або явищ;
- проведення лабораторних робіт в умовах імітації в комп'ютерній програмі реального досвіду або експерименту;
- створення і використання інформаційних баз даних, необхідних у навчальній діяльності, і забезпечення доступу до розподілених інформаційних ресурсів комп'ютерної мережі;
- посилення мотивації навчання (наприклад, за рахунок образотворчих засобів або використання ігрових ситуацій);
- озброєння студентів методикою засвоєння навчального матеріалу;
- розвиток певного виду мислення (наприклад, наочно-образного, теоретичного);
- формування вміння приймати оптимальне рішення або варіативне рішення в складній ситуації.

Ґрунтуючись на понятті взаємодії з точки зору психології (А. Б. Добровіч, І. А. Зимова, Б. Ф. Ломов, Є. І. Рогов, Д. Майерс та ін.), інформатики та педагогіки (К. К. Колін, Г. Почепцов, І. В. Роберт) визначимо поняття інформаційної взаємодії освітнього призначення як форму інформаційної комунікації в галузі способів отримання, обробки, перетворення, зберігання,

²⁹⁸ Шевчук Л. Д. Методичні аспекти застосування інформаційно-комунікаційних технологій у процесі навчання математики / Л. Шевчук, Б. Шевчук/ Гуманітарний вісник ДВНЗ "Переяслав-Хмельницький державний педагогічний університет ім. Григорія Сковороди» Науково-теоретичний збірник. – Вип. 35 – П.: Вид-во: Переяслав-Хмельницький, 2014. – С. 267-275.

передачі, використання даних, представлених в будь-якому вигляді (текст, графіка, анімація, аудіо-відео інформація).

Під інформаційною взаємодією освітнього призначення будемо розуміти процес передачі-прийому даних, представлених в будь-якому вигляді (символи, графіка, анімація, аудіо-відео інформація) при реалізації зворотного зв'язку, розвинених засобів ведення інтерактивного діалогу (наприклад, можливість задавати питання в довільній формі, з використанням «ключового слова», у формі з обмеженим набором символів, можливість вибору варіантів змісту інформації, режиму роботи з нею) при забезпеченні можливості збору, обробки, продукування, архівування даних. Здійснення інформаційної взаємодії вимагає певної технологічної реалізації; в сучасній реалізації вона здійснюється засобами інформаційних і комунікаційних технологій (ІКТ).

Під технологією інформаційної взаємодії освітнього призначення розуміють сукупність детермінованих засобів та методів, реалізованих на базі сучасних інформаційних та комунікаційних технологій, здійснення інформаційної взаємодії, реалізація яких забезпечує певний психолого-педагогічний вплив, орієнтований на:

- розвиток творчого потенціалу індивіда;
- формування системи знань певної предметної області;
- формування комплексу вмінь і навичок здійснення навчальної діяльності з вивчення закономірностей предметної галузі (Роберт 13)²⁹⁹.

Розглядаючи природу інформаційної взаємодії в системі навчання, що склалася у вищому навчальному закладі виокремимо основних учасників інформаційної взаємодії, якими є студенти – викладач. Тут зворотний зв'язок між учасниками навчальної взаємодії існує такий: студент – викладач – студент.

Застосування у навчальному процесі традиційних засобів навчання, які не володіють інтерактивністю, не забезпечує зворотного зв'язку ні з тим, хто навчається (студентом), ні з тим, хто вчить (викладачем), зворотний зв'язок існує тільки між двома учасниками навчальної взаємодії – викладачем і студентами. Прикладом такої взаємодії служать лекційні заняття, здійснювані з використанням демонстраційних таблиць, роздаткового матеріалу, слайд- і відеофільмів, практичні заняття з використанням лабораторного устаткування, стендів, приладів і ін. Структуру такої інформаційної взаємодії освітнього призначення можна розглядати схемою суб'єктно (S) - суб'єктних (S) стосунків. Тут (S) – викладач, як суб'єкт, а (S) – студент, як суб'єкт навчання. Зворотний зв'язок існує тільки між двома учасниками навчальної взаємодії (викладача і студентам).

Традиційна структура інформаційної взаємодії освітнього призначення представлена на Рис. 2. Стрілки на малюнку показують напрям інформаційних потоків інформаційної взаємодії.

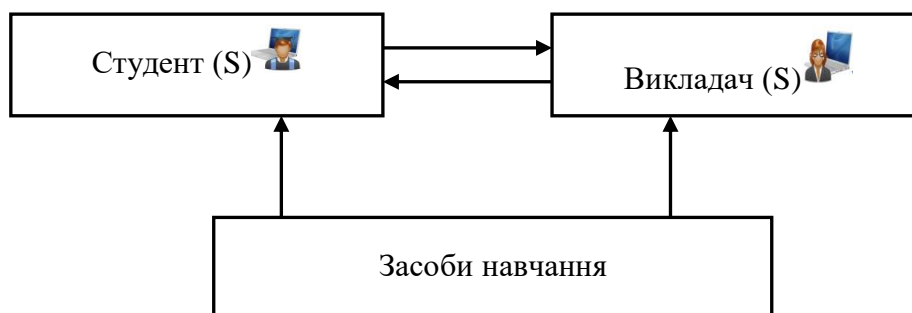


Рис. 2. Традиційна структура інформаційної взаємодії освітнього призначення

²⁹⁹ Роберт И. В. Информационное взаимодействие в информационно-коммуникационной предметной среде // И. В. Роберт / Ученые записки. Информационные и коммуникационные технологии в системе непрерывного образования. Выпуск 5. – М. 2009. – 178 с.

В розглянутому варіанті інформаційної взаємодії освітнього призначення студент користується тільки тією інформацією, яку йому повідомляє викладач або засіб навчання. В даних випадках споживачем навчальної інформації, навіть у разі самостійної роботи з книгою або іншим засобом навчання є сам студент.

В умовах особистісно-діяльнісного підходу студент розглядається як активний, самостійно організуючий свою діяльність суб'єкт педагогічної взаємодії, а умовою самореалізації особи є діяльність, що формує досвід і що забезпечує особове зростання. Як пише Л. С. Виготський, «в основу процесу має бути покладена особиста діяльність студента». Йому властива специфічна спрямованість пізнавальної і комунікативної активності на вирішення конкретних професійно-орієнтованих завдань. «Засвоєні у навчанні знання, уміння, навички виступають вже не предметом навчальної діяльності, а як засіб діяльності професійної».³⁰⁰

М. М. Батхін представляє процес комунікації як взаємодію трьох: адресанта, адресата, і нададресата. Відмінність адресата від нададресата полягає в тому, що автор повідомлення не був націлений на нього безпосередньо, він опинився в комунікативному середовищі, сприйняв його, й тим самим включився в процес комунікації.³⁰¹

Ідею троїстої взаємодії розглядав П. Рікер. На його думку, третім може виступати будь-який комунікант, залучений до процесу комунікації або той, хто потенційно бере в ній участь.³⁰²

Відрізняючись високим ступенем інтерактивності, комп'ютерно орієнтовані засоби навчання створюють унікальне електронне навчально-пізнавальне середовище, для вирішення різних дидактичних завдань (пізнавальних, інформаційних, культурологічних та ін.). Відмінною особливістю такого середовища є те, що воно придатне як для масового, так і для суто індивідуального навчання і самонавчання.

Щодо терміна «взаємодія в електронному середовищі», то науковці називають його по-різному: «комунікація в електронному середовищі», «електронна комунікація» (С. Нілова, В. Анненков), «комп'ютерно-опосередкована комунікація» (computer-mediated communication) (А. Войскунський, Л. Бабанін, О. Арестова, І. Розина), «опосередковане комп'ютером спілкування», «людино-комп'ютерна взаємодія» (human-computer interaction); «спільна робота за підтримки комп'ютера» (computer-supported collaborative work) О. Арестова, «Інтернет-комунікація» (О. Кущенко, І. Соколова і Л. Положенцева, Л. Халяпіна), «комп'ютерна комунікація» (Н. Волкова).

Аналізуючи сутність зазначених феноменів, підсумовуємо, що науковці пов'язують зазначені поняття із «взаємодією». Так, Л. Халяпіна «Інтернет-комунікацію» визначає як «взаємодію (інтерацію) людей полікультурного світу за допомогою глобального комп'ютерного Інтернет-середовища, змістом якого є взаємне пізнання (перцепція) й обмін інформацією (комунікація)».³⁰³

І. Соколова та Л. Положенцева розглядають Інтернет-комунікацію як взаємодію людей за допомогою глобального комп'ютерного Інтернет-середовища з метою взаємообміну інформацією, роботи з інформацією, наявною в Інтернет-джерелах (пошук,

³⁰⁰ Выготский Л. С. Педагогическая психология / Л. С. Выготский; Под ред. В. В. Давыдова. – М.: Педагогика, 1991. – 480 с.

³⁰¹ Батхин М. М. Эстетика словесного творчества / М. М. Батхин; сост. С. Г. Бочаров. – [2-е изд.]. – М.: Искусство, 1986. – 445 с.

³⁰² Рикер П. Герменевтика. Этика. Политика / Поль Рикер; [ред. В. С. Степин, Н. С. Автономова, Н. В. Морошилова, А. М. Руткевич]. – М.: Academia, 1995. – 160 с.

³⁰³ Халяпина Л. П. Методическая система формирования поликультурной языковой личности посредством Интернет-коммуникации в процессе обучения иностранным языкам: автореф. дис. на соиск. учен. степ. д-ра пед. наук: спец. 13.00.02 / Л. П. Халяпина. – СПб, 2006. – 47 с.

аналіз, презентація, оформлення та ін.), що сприяє самовдосконаленню особистості, збагаченню її особистісної культури.³⁰⁴

На думку О. Кущенко, «Інтернет-комунікація» є освітнім феноменом, специфічною формою взаємодії, взаємообміну професійною інформацією суб'єктів освітнього процесу, основою самореалізації особистості, засобом її самовизначення й самоствердження, дослідження якого є необхідною умовою оновлення професійної освіти.³⁰⁵

Н. Волкова тлумачить комп'ютерну комунікацію як «взаємодію суб'єктів за допомогою вербальних та невербальних комунікативних систем, опосередковану комп'ютерними засобами комунікації (електронна пошта, телеконференції, веб-конференції, чат, форум)».³⁰⁶

Взаємодію в електронному середовищі розуміємо як спільну діяльність суб'єктів освітнього процесу, що передбачає взаємообмін професійною інформацією засобами комунікації (електронна пошта, телеконференції, веб-конференції, чат, форум) та є основою їх самореалізації, самовизначення й самоствердження.

Засіб навчання, що функціонує на базі засобів інформаційних технологій, володіє можливостями інтерактивності і володіє такими властивостями як:

- зворотний зв'язок між користувачем і засобами інформатизації і комунікації;
- комп'ютерна візуалізація навчальної інформації про об'єкти або закономірності процесів, явищ, що протікають як реально, так і віртуально;
- автоматизація процесів: обробки результатів навчального експерименту (що протікає як реально, так і віртуально), його екранне уявлення з можливістю багаторазового повторення будь-якого фрагменту або самого експерименту; інформаційно-методичного забезпечення, організаційного управління навчальною діяльністю і контроль за результатами засвоєння і динаміки в навчанні.

Ґрунтуючись на поняттях «інформаційна взаємодія освітнього призначення» і «комп'ютерно орієнтовані засоби навчання», визначимо навчальну інформаційну взаємодію, реалізовану на базі ЕОР, як діяльність, спрямовану на формування у студентів:

- освоєння, закріплення і застосування знань, умінь і навичок у умовах здійснення інформаційної комунікації з використанням ЕОР;
- самостимулювання до пошуку навчальних інформаційних повідомлень сучасними засобами комунікації;
- вирішення навчальних завдань на базі використання електронних освітніх ресурсів у педагогічних ВНЗ;
- самооцінки навчальних досягнень.

Спільну діяльність студента і викладача можна розглядати з позиції інформаційного процесу, у якому можливі самі різні форми організації стосунків. Сучасні дидактичні можливості комп'ютерної техніки та сучасних засобів комунікаційного зв'язку дозволяють проектувати електронні середовища навчання з такими можливостями, які допомагають розглядати навчання в принципово новому підході, при цьому відбувається перехід від традиційної схеми взаємодії «суб'єкт-суб'єкт» (викладач-студент) до нової організації

³⁰⁴ Соколова, Э. Я. Сетевой электронный учебно-методический комплекс как образовательный ресурс для обучения профессиональному английскому языку (для студентов технических вузов) / Э. Я. Соколова // Вестник ТГПУ: науч. журн. – 2012. – № 4. – С. 59-63.

³⁰⁵ Кущенко О. С. Становлення Інтернет-комунікації як специфічної форми взаємодії педагогів / О. С. Кущенко // Проблеми сучасної педагогічної освіти. Сер.: Педагогіка і психологія: зб. ст. – Вип. 15. – Ч. 1. – Ялта: РВВ КГУ, 2007. – С. 138-143.

³⁰⁶ Волкова Н. П. Професійно-педагогічна комунікація: теорія, технологія, практика: монографія / Н. П. Волкова. – Вид.-но: ДНУ, 2005. – 304 с.

освітнього процесу за схемою «суб'єкт-суб'єкт-суб'єкт» (викладач – середовище – студент) поданої на Рис. 3.

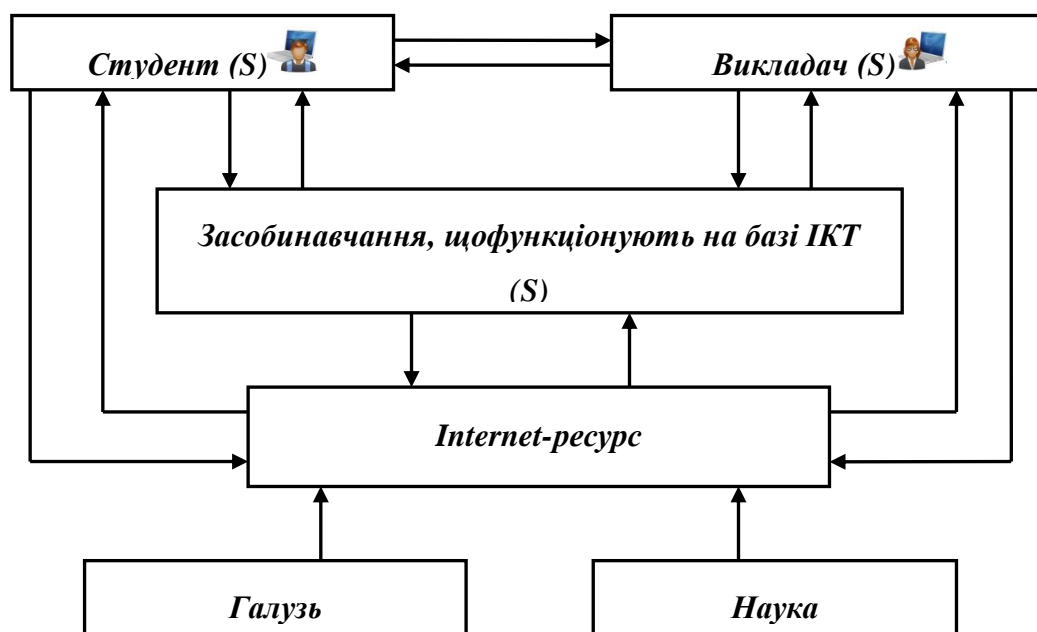


Рис. 3. Схема інформаційної взаємодія у межах ЕНМК³⁰⁷

В умовах використання електронних засобів навчання присутній негайний зворотний зв'язок між студентом, викладачем і засобами навчання інформатичних дисциплін, що функціонують на базі ЕНМК і Internet-ресурсів. Змінюється роль викладача (може переходити до проектування індивідуальної траєкторії навчальної діяльності студентів), змінюється роль студентів: він переходить на складніший шлях пошуку, вибору інформації, її оброблення і передаванні. Іншими словами, виникає «рівнопартнерська» навчальна співпраця викладача і студентів при розробці і використанні засобів навчання інформатичних дисциплін.

Слід зазначити факт зміни парадигми інформаційної взаємодії освітнього призначення, яке здійснюється у комп'ютерно орієнтованому навчальному середовищі, і обумовлено:

- наявністю нового компонента системи навчальної взаємодії, що бере активну участь у процесі навчання інформатичних дисциплін;
- ускладненням структури цієї взаємодії у напрямі розвитку комунікативних і інформаційних реалізацій;
- можливістю організувати вище перелічені види навчальної діяльності, що забезпечують високий рівень самостійності і «відкритості» освіти.³⁰⁸

Можливості та значення електронного середовища навчання різноманітні, серед яких можна виділити:³⁰⁹

1. забезпечення доступу до різних джерел інформації (віддалених і розподілених баз даних, конференцій через систему Інтернет і роботи з цією інформацією;

³⁰⁷ Галаган І. М. Методична система навчання інформатичних дисциплін майбутніх учителів технологій з використанням електронних навчально-методичних комплексів: автореф. дис. ... канд. пед. наук: 13.00.02 / І. М. Галаган; Нац. пед. ун-т ім. М. П. Драгоманова. – Київ, 2015. – 20 с.

³⁰⁸ Галаган, І. М. Методична система навчання інформатичних дисциплін майбутніх учителів технологій з використанням електронних навчально-методичних комплексів: автореф. дис. ... канд. пед. наук: 13.00.02 / І. М. Галаган; Нац. пед. ун-т ім. М. П. Драгоманова. – Київ, 2015. – 20 с.

³⁰⁹ Шевчук Б. В. Теоретичні передумови використання комп'ютерно-орієнтованих засобів навчання майбутніх інженерів-педагогів / Б. В. Шевчук // Молодь і ринок: щомісячний науково-педагогічний журнал. № 3 (158). – 2018. – С. 141–149.

2. забезпечення і підготовка компонентів комп'ютерно орієнтованого середовища (різні види навчального, демонстраційного обладнання, програмні засоби і системи, інше);
3. забезпечення освітнього процесу навчальними і навчально-методичними матеріалами;
4. забезпечення комунікативних процесів між суб'єктами освітнього процесу;
5. управління навчальною діяльністю (організація діяльності студентів з самостійної роботи з навчальним матеріалом, тренувальними вправами на формування умінь і навичок, інше);
6. забезпечення інтерактивності навчання за допомогою спеціальних мультимедійних засобів і оперативного зворотного зв'язку з учасниками освітнього процесу;
7. забезпечення доступу до нових джерел інформації, надання засобів отримання та переробки інформації, презентації особистості в соціокультурному середовищі;
8. задоволення особистісно-орієнтованих вимог з боку студентів (врахування рівня підготовленості, типу розумової діяльності, обсягу навчального матеріалу, забезпечення адаптивності комп'ютерної програми до рівня досягнень учня, інше);
9. надання можливостей ведення та використання віртуальних лабораторій;
10. забезпечення статистичного збору та обробки результатів навчання і контролю;
11. забезпечення політики безпеки роботи системи, захисту предметного матеріалу та інформації про результати навчання;
12. інше.

Таким чином, інформаційна взаємодія, реалізована на базі ЕОР, як було сказано, призводить до зміни істотних сторін дидактичного процесу. Змінюється діяльність викладача і студента. Студент може оперувати великою кількістю різноманітних навчальних інформаційних повідомлень, інтегрувати їх, має можливість автоматизувати їх обробку, моделювати процеси і вирішувати проблеми, бути самостійним у навчальних діях і інше. Викладач також звільняється від рутинних операцій, дістає можливість діагностувати студентів, простежувати динаміку навчання дисципліни і розвитку студента.

Література:

1. Батхин М. М. Эстетика словесного творчества / М. М. Батхин; сост. С. Г. Бочаров. – [2-е изд.]. – М.: Искусство, 1986. – 445 с.
2. Богущ В. Теоретичні аспекти підтримки здорового психологічного клімату в системі «викладач-студент» / В. Богущ / – Режим доступу: oldconf.neasmo.org.ua/node/1130.
3. Волкова Н. П. Професійно-педагогічна комунікація: теорія, технологія, практика: монографія / Н. П. Волкова. – Вид.-во: ДНУ, 2005. – 304 с.
4. Выготский Л. С. Педагогическая психология / Л. С. Выготский; Под ред. В. В. Давыдова. – М.: Педагогика, 1991. – 480 с.
5. Галаган І. М. Методична система навчання інформатичних дисциплін майбутніх учителів технологій з використанням електронних навчально-методичних комплексів: автореф. дис. ... канд. пед. наук: 13.00.02 / І. М. Галаган; Нац. пед. ун-т ім. М.П. Драгоманова. – Київ, 2015. – 20 с.
6. Гальперин П. Я. Введение в психологию: учебн. пособ. для студ. высш. учебн. завед. / П. Я. Гальперин. – М.: Кн. дом "Университет", 2002. – 336 с.
7. Кущенко О. С. Становлення Інтернет-комунікації як специфічної форми взаємодії педагогів / О. С. Кущенко // Проблеми сучасної педагогічної освіти. Сер.: Педагогіка і психологія: зб. ст. – Вип. 15. – Ч. 1. – Ялта: РВВ КГУ, 2007. – С. 138-143.
8. Любченко В. В. Модель інформаційної взаємодії в процесі навчання / Любченко В. В. / Радіоелектронні і комп'ютерні системи, 2012, № 7 (59). С. 38-40.
9. Нор К. Ф. Використання американського досвіду формування комунікативних умінь майбутніх учителів / К. Ф. Нор / Наукові праці: Науково-методичний журнал. Т. 28. Вип. 15. Педагогічні науки. – Миколаїв: Вид.-во МДГУ ім. П. Могили, 2003. – С. 54-58.

10. Подоляк Л. Г. Психологія вищої школи: Навчальний посібник для магістрантів і аспірантів / Подоляк Л. Г., Юрченко В. І. – К.: ТОВ “Філ-студія”, 2006. – 320 с.
11. Психология общения: учебное пособие / А. А. Леонтьев. – 3-е издание. – Москва: Смысл: Академия, 2005. – 368 с.
12. Рикер П. Герменевтика. Этика. Политика / Поль Рикер; [ред. В. С. Степин, Н. С. Автономова, Н. В. Морошилова, А. М. Руткевич]. – М.: Academia, 1995. – 160 с.
13. Роберт И. В. Информационное взаимодействие в информационно-коммуникационной предметной среде // И. В. Роберт / Ученые записки. Информационные и коммуникационные технологии в системе непрерывного образования. Выпуск 5. – М. 2009. – 178 с.
14. Роберт И. В. Теория и методика информатизации образования (психолого-педагогический и технологический аспекты) 2-е издание, дополненное // И. В. Роберт. – М.: ИИО РАО, 2008. – 274 с.
15. Савенкова Л. Комуникативність учителя // Педагогіка толерантності / Л. Савенкова. – 2007. – № 1. – С. 94-100.
16. Соколова, Э. Я. Сетевой электронный учебно-методический комплекс как образовательный ресурс для обучения профессиональному английскому языку (для студентов технических вузов) / Э. Я. Соколова // Вестник ТГПУ: науч. журн. – 2012. – № 4. – С. 59-63.
17. Третьяков П. И. Адаптивное управление педагогическими системами: Учеб. пособие для студ. высших учеб. заведений. / Третьяков П. И., Митин С. Н., Бояринцева Н. И. / М., 2003. – С.31-32.
18. Халяпина Л. П. Методическая система формирования поликультурной языковой личности посредством Интернет-коммуникации в процессе обучения иностранным языкам: автореф. дис. на соиск. учен. степ. д-ра пед. наук: спец. 13.00.02 / Л. П. Халяпина. – СПб., 2006. – 47 с.
19. Шевчук Б. В. Теоретичні передумови використання комп'ютерно-орієнтованих засобів навчання майбутніх інженерів-педагогів / Б. В. Шевчук // Молодь і ринок: щомісячний науково-педагогічний журнал. № 3 (158). – 2018. – С. 141-149.
20. Шевчук Л. Д. Методичні аспекти застосування інформаційно-комунікаційних технологій у процесі навчання математики / Л. Шевчук, Б. Шевчук / Гуманітарний вісник ДВНЗ “Переяслав-Хмельницький державний педагогічний університет ім. Григорія Сковороди» Науково-теоретичний збірник. – Вип. 35 – П.: Вид-во: Переяслав-Хмельницький, 2014. – С. 267-275.

2.16. Tourism in Kharkiv region: reality and perspectives

2.16. Туристична Харківщина: реалії та перспективи

Постановка проблеми. У Гаагській декларації з туризму вказано на значення внутрішнього туризму для зайнятості населення, його добробуту на місцевому, регіональному і національному рівнях, створення базової туристичної інфраструктури і підготовки відповідних фахівців.³¹⁰ Це забезпечило б стійку базу для розвитку міжнародного туризму в країні. Просування України на світовому туристичному ринку залежить від внеску кожного регіону.³¹¹ Експерти вважають, що прийшов час переорієнтації туристичного бізнесу на внутрішнього туриста, відкриття на карті України нових туристичних точок. Це вимагає більших матеріальних вкладень у туристичну інфраструктуру, рекламу туристичних дестинацій. Необхідна концепція регіону в цілому, що припускає активну маркетингову стратегію, яка дозволить туристові візуально освіжити образ міст, регіонів.

Туризм Харківщини може стати однією з перспективних галузей її економіки, що сприятиме зрештою соціально-економічному розвитку регіону. Для цього є всі необхідні передумови: сприятливі природні умови, багатий історико-культурний потенціал, трудові ресурси, туристична інфраструктура. Харківська область в даний час приваблює все більше туристів і екскурсантів. Її наявні туристичні ресурси сприяють розвитку туризму не тільки внутрішнього, а й міжнародного. Для успішного розвитку туристичної діяльності в регіоні, закріплення образу регіону й підтримки його туристичного іміджу потрібний моніторинг туристичного середовища. Це дозволить розробити інноваційну політику у сфері туризму і реалізувати її на практиці.

Аналіз останніх публікацій. Регіональні аспекти розвитку туризму розглядалися в роботах Л. П. Богданової, М. Н. Зайцевої, А. Е. Кондрової, О. О. Любіцевої, А. Г. Мезенцева, Т. Г. Морозової, Є. В. Панкової, В. І. Стафійчук, И. Г. Смирнова та ін. вчених. Конкретно вивченню туристичних ресурсів і сфери туризму Харківського регіону присвячені роботи І. І. Волкової, А. П. Голікова, Н. А. Казакової, М. Ю. Онацького, А. Ю. Парфиненко, П. О. Подлепиной, О. В. Євтушенко, С. О. Юрченко та ін.³¹² Проте в туристичній діяльності області залишається багато проблем, які вимагають подальшого вивчення і рішення.

Метою дослідження є аналіз туристичної діяльності в Харківському регіоні і виявлення основних напрямів її розвитку.

Виклад основного матеріалу. Позитивні зміни на туристичному ринку багато в чому визначаються поширенням інновацій. Американський економіст і соціолог Й. Шумпетер до інновацій відносив нові ресурси, виробництво нових товарів або товарів нової якості, яких ще не бачив споживач, впровадження нових способів виробництва і форм його організації і т.д. До інновацій в туризмі можна віднести нові туристичні продукти, нові ринки його збуту, вдосконалення туристичної інфраструктури, нові моделі ведення туристичного бізнесу і т.д.³¹³

Базовим елементом турпродукту є природні і історико-культурні ресурси, які повинні не лише використовуватися, але й зберігатися і передаватися від покоління до покоління.

Харківський регіон знаходиться на північному сході Лівобережної України в лісостеповій і степовій природних зонах в межах водорозділу басейнів Дону й Дніпра.

³¹⁰ Юрченко С. О., Юрченко О. Є. Міжнародний туризм, с. 137.

Сідоров М. В., Юрченко О. Є., Юрченко С. О. Україна на світовому ринку туристичних послуг: сучасний стан та перспективи розвитку.

³¹² Туризм в системі пріоритетів регіонального розвитку.

³¹³ Юрченко С. О., Юрченко О. Є. Міжнародний туризм.

Середня температура самого холодного місяця (січня) становить -5 ... -7°C, а самого теплого (липня) – + 21 ... + 22°C. У середньому, щорічна кількість опадів є близько 540 мм.

Територія Харківщини компактна, її площа складає 31,4 тис. кв. км (5,2% від території України), відстань із сходу на захід – 225 км, з півночі на південь – 200 км³¹⁴, що є сприятливим для розвитку радіальних екскурсій.

Серед регіонів України Харківська область за природно-рекреаційним потенціалом знаходиться на 4 місці.³¹⁵ Велику частину площі регіону займає степ, який фактично не зберігся у своєму первозданному виді. На ліси та лісовкриті площі припадає 13,6% території області (в Україні – 17,7%).³¹⁶ По ярах і балках ростуть байрачні ліси, на піщаних терасах річок – сосново-дубові й соснові і ліси. Серед лісових порід найбільш поширені дуб черешковий, сосна звичайна, ялинка, клен, липа, ясень, дикорослі плодові дерева – яблуні і груші. На вологих ґрунтах ростуть тополя, верба, осика, береза, вільха.

Природно-заповідний фонд Харківщини включає 220 територій та об'єктів загальною площею 52 943,9 га, (1,69% від площі області). Серед них 70% складають заказники (ландшафтні, гідрологічні, ботанічні, лісові, загальнозоологічні, ентомологічні, орнітологічні, загальногеологічні), 2,3% (1 200,0 га) – курортні та лікувально-оздоровчі території.³¹⁷ В області налічується 2 816 тис. га мисливських угідь, десятки риболовецьких водойм площею понад 34 тис. га³¹⁸

У цілому на одного харків'янина припадає 104,8 м² площі зелених насаджень, що вище норми 54,8%.³¹⁹ Збереження й розвиток зелених зон міста є найважливішим завданням не тільки державних органів, але й природоохоронної громадськості Харкова, тому що озеленення території пов'язане не тільки із прикрасою міста, що залучає туристів, але й з екологічним здоров'ям жителів.

На території області є 867 потоків загальною протяжністю 6,4 тис. км. З них 156 річок завдовжки більше 10 км. На басейн Дону припадає 75 % водних ресурсів регіону. Головна водна артерія області – Сіверський Донець, правий приплив Дону (в межах області довжина 380 км). Серед інших річок великими є Орель (200 км), Оскол (177 км), Уди, Берека. Серед 36 озер регіону із загальною площею в 2,5 тис. га найбільше озеро – Лиман (довжина 7,5 км, ширина 2,7 км; середня глибина – 2 м). Своєю красою вражають озера Біле і Борове. Також створені близько 50 водосховищ об'ємом 1 526 млн м³, з них найбільші – Оскольське (478 млн. м³), Печенізьке (400 млн. м³), Краснопавловське (410 млн. м³). Мальовничі береги річок, озер, водосховищ, а також 1 910 ставків користуються популярністю для відпочинку населення³²⁰. Багатство Харківської області складають мінеральні води. З глибини 1 654 м добувається хлоридно-натрієво-йодо-бромна вода, яка за насиченістю і лікувальним ефектом порівнюється з водою Мертвого моря. А гідро-карбонатно-кальцієво-магнієва вода («Березовська») багата кремнієм і залізом, відрізняється унікальними лікувальними властивостями.³²¹

³¹⁴ Головне управління статистики у Харківській області.

³¹⁵ Разработка Стратегии развития Харькова до 2020 года: культура и туризм.

³¹⁶ Статистичний збірник «Регіони України» 2018.

³¹⁷ Природно-заповідний фонд і система природних територій та об'єктів, що підлягають особливій охороні.

³¹⁸ Голиков А. П., Казакова Н. А., Шуба М. В. Харьковская область, региональное развитие: состояние и перспективы, с. 67.

³¹⁹ Доклад директора Департамента коммунального хозяйства городского совета Виктора Китанина на тему: «Защита зеленых насаждений и Лесопарка г. Харькова».

³²⁰ Твой любимый Харьков.

³²¹ Минеральные воды. Харьковская обл.

В цілому сприятливі природні умови області з її м'яким кліматом, рельєфом, що злегка покривається горбами, цілющими мінеральними джерелами, барвистими ландшафтами залучають туристів.

В Харківській області зосереджено 6,4% населення України. Проте чисельність населення області постійно знижується. Станом на 1 січня 2019 р. у регіоні проживало 2 675,6 тис. осіб, що менше, ніж у 2010 р. на 3,5%. Рівень урбанізації вище, ніж по країні. У містах і селищах міського типу сконцентровано 81,0% населення регіону, в той час як міське населення країни складає 69,4%. Харків – адміністративний центр Харківської області, найбільше місто на північному сході України, друге за чисельністю населення місто України. Населення області відносно щільно розселено. Густота населення складає 85,2 ос./км².

У структурі населення економічно активне населення у віці 15-70 років складало 1 327,5 тис. ос. (64,5% до населення віком 15-70 років). Рівень безробіття населення у віці 15-70 років складав 6,1% у 2017 р., що нижче, ніж по країні в цілому (9,5%).³²²

На Харківську область доводиться 6,5% від загального об'єму доходів країни. За цим показником регіон займає 3 місце в країні. Наявний дохід у розрахунку на одну особу Харківщини вище, ніж в середньому по країні (46 789,7 грн. на рік – 6 місце) на 2,2%. Проте середньомісячна номінальна заробітна плата штатних працівників (10 місце в країні) відстає на 12,1% від середнього значення по Україні в цілому і складає 6 244 грн. Про відносне благополуччя Харківської області може свідчити частка населення із середньодушовими еквівалентними грошовими доходами на місяць нижче прожиткового мінімуму (4,5%, а в Україні – 6,8%; 5 місце по країні).³²³

У Харкові багато що подобається гостям міста. Передусім, притягають сім кращих архітектурних споруд міста:

1. Будинок державної промисловості – Держпром (1928 р.).
2. Комплекс Успенського Собору – Дзвіниця (1844 р.); Успенський Собор (1783 р.).
3. Пам'ятник Т. Г. Шевченко (1935 р.).
4. Кафедральний собор Благовіщенський (1901 р.).
5. Комплекс «Дзеркальний Струмінь» (1946 р.).
6. Будинок з шпилем на пл. Конституції, 2 (1954 р.).
7. Покровський собор (XVII – поч. XVIII ст.).

Макети цих семи чудес Харкова виконані в масштабі 1: 25, що відповідає світовому стандарту, в Китаї і встановлені на площі Архітекторів, недалеко від Будинку архітекторів (цей будинок А. Бекетов побудував для себе).³²⁴

У переліку гідних об'єктів м. Харкова при опитуванні біля 1 800 харків'ян, коли визначалися «7 чудес Харкова» у 2007 р., називалися також будівлі палацу наречених, Південного вокзалу в стилі «сталінського ампіру» з елементами класицизму разом із привокзальним майданом, хоральна синагога, готель «Асторія», ХАТОБ, Харківське метро та інші.

За межами Харкова, на території області також багато цікавих і красивих місць. Туристи можуть відвідати палаци і старі садиби, дивовижні природні об'єкти і історичні пам'ятки. До них можна віднести: Шаровський замок (Богодухівський район), Співаючі тераси (с. Городне), Наталіївський парк, садиба Наталіївка (с. Владимирівка), меморіальний комплекс «Висота маршала І.С. Конєва» (с. Солоніцевка), гірничо-збагачувальний комбінат – одно з наймальовничіших місць Харківської області (с. Новоселівка), покинутий аеродром (м. Вівчанськ), інститут іоносфери, одно з чудес СРСР (м. Зміїв), ландшафтний парк «Печенізьке

³²² Головне управління статистики у Харківській області.

³²³ Статистичний збірник «Регіони України» 2018.

³²⁴ Юрченко С. А. Семь чудес Харькова как символы развития туризма, с. 311.

поле» (с. Артемівка), екопарк Фельдмана (с. Лісове), солоне озеро (с. Антонівка), найвища точка Харківській області – гора Кременець, Кіцевська пустеля (с. Кіцевка), Краснокутський дендропарк (сmt. Краснокутськ), садиба Шидловських (сmt. Старий Мерчик) і багато інших.³²⁵ Вигляд цих об'єктів індивідуальний, має свою історію, красу і привабливий для туристів. Розкручування цих образів дозволить створити нові тупродукти, туристичні маршрути і сприятиме просуванню Харківщини не лише на внутрішньому, але і на міжнародному туристичному ринку.

Культурну програму жителів і гостей області може різноманітнити відвідування 7 театрів, 33 музеїв, 685 клубних закладів, концертних організацій, кількість і діяльність яких (за винятком клубних закладів) зросла порівняно з 2000 і 2010 рр. (Табл. 1).

Таблиця 1. Заклади культури та мистецтва Харківській області (2000-2017 рр.)

	2000	2010	2013	2014	2015	2016	2017
Кількість театрів, од.	6	7	7	7	7	7	7
Кількість глядачів на виставах, тис.	326,4	365,9	414,9	362,6	394,3	427,1	439,5
Кількість концертних організацій, професійних творчих колективів, од.	2	2	3	3	3	3	3
Кількість слухачів на концертах, тис.	97,3	91,4	206,1	95,8	89,6	102,9	110,2
Кількість музеїв, од.	24	33	33	33	33	33	33
Кількість відвідувачів музеїв, тис.	503,3	1093,7	879,1	782,8	881,1	852,0	830,3
Кількість клубних закладів, од.	812	710	697	698	692	687	685
Кількість місць в них, тис.	214,6	192,5	190,2	187,3	185,8	185,0	183,1

Складено автором за даними³²⁶

У Харкові можна знайти і незвичайні музеї, які унікальні і єдині на території України, наприклад, музеї: сірників, реклами, кави, фотоілюзій, сексуальних культур світу, інструменту, наукових відкриттів WOOM, аптека-музей. А Пархомівський художній музей ім. А. Ф. Лунева (с. Пархомівка Краснокутського району) з його колекцією предметів мистецтва є одним з кращих сільських музеїв країни.

Важливість туристичної інфраструктури для Харківської області з кожним роком набуває все більшого значення, оскільки м. Харків є науковим, діловим і культурним центром України. Область займає четверте місце за кількістю суб'єктів туристичної діяльності в Україні, яке не є постійним і залежить від внутрішніх і зовнішніх чинників, що впливають на їх діяльність. Тільки за три роки (2014-2017 рр.) їх кількість скоротилася з 309 до 258, з них 7 туроператорів – з 9 до 7, турагентств – з 290 до 251 і суб'єктів, що здійснюють екскурсійну діяльність – з 10 до 5.³²⁷

2012 рік виділявся високими значеннями кількості туристів, обслугованих суб'єктами туристичної діяльності Харківської області (Табл. 2). Починаючи з 2013 р., їх число зменшувалося, сягнувши мінімуму в 2015 р. За період 2013–2018 рр. воно скоротилося на 29 416 ос. або в 1,5 рази, а порівняно з 2010 р. – в 2,2 рази. Особливо різко зменшилися потоки внутрішніх і іноземних туристів. Це пояснюється нестабільною військово-політичною ситуацією, що склалася, погіршенням соціально-економічного положення населення, втратою кримського рекреаційного району для внутрішніх туристів. Кількість обслугованих іноземних туристів практично стало обчислюватися одиницями. Для них загрозою є близькість регіону до АТО, нестабільність політичної ситуації, загрозатерористичних актів.

³²⁵ Достопримечательности Харьковской области в Харькове.

³²⁶ Головне управління статистики у Харківській області.

³²⁷ Туристична діяльність в Україні у 2017 році: статистичний збірник.

Крім того, в деяких країнах зараз не рекомендують відвідувати Україну, особливо східні регіони через ситуацію, що склалася.

Ситуація в бік поліпшення на туристичному ринку стала змінюватися в 2016 р., коли збільшилися обсяги всіх туристичних потоків. За 2016-2018 рр. кількість туристів, обслугованих об'єктами туристичної діяльності Харківської області збільшилося на 21 803 ос., у т.ч. в'їзних туристів – на 272 ос., виїзних – на 19 917 ос., а внутрішніх – на 39 ос. Дані свідчать про незадоволення населення області якістю відпочинку у своїй країні при високих цінах на послуги. Позначається також бажання туристів організувати самостійно свою подорож без послуг турагентств. Відпочинок при цьому обходиться значно дешевше.

Таблиця 2. Кількість туристів у Харківській області у 2010–2018 рр. (осіб)

	Кількість туристів, обслугованих суб'єктами туристичної діяльності Харківської області – усього	Із загальної кількості туристів		
		іноземні туристи	туристи-громадяни України, які виїжджали за кордон	внутрішні туристи
2010	138 440	12 951	75 236	50 253
2011	74 038	550	57 852	15 636
2012	105 663	1 701	87 814	16 148
2013	91 648	591	53 831	37 226
2014	71 437	-	68 046	3 391
2015	31 233	6	25 946	5 281
2016	40 429	1	33 716	6 712
2017	51 929	16	43 626	8 287
2018	62 232	273	53 633	8 326

Складено автором за даними³²⁸

Середній час перебування іноземних туристів у Харкові становить 2,5 дні. За цей час можна спробувати блюда місцевої кухні й відвідати найбільш «розкручені» визначні пам'ятки. Необхідно, щоб іноземний турист збільшив час свого перебування в Харкові й виїхав за межі міста. Це принесе істотні доходи, адже іноземний турист в країні витрачає в добу 100-200 дол. США.

Незважаючи на те, що Харків досить відомий у світі як найбільше наукове й студентське місто, центр історичних і культурних подій, він все-таки недостатньо затребуваний туристами при великих потенційних можливостях. Хоча в цьому напрямку проводиться постійна робота. Наприклад, у місті щорічно проходить кінофестиваль «Харківський бузок», де можна зустріти всесвітньо відомих акторів і режисерів. Також проходять фестивалі: «Івана Купала», «Алексіївська фортеця», «Весілля в Малинівці», «Масниця на Коропових хуторах»; постійно діють численні музеї, виставки; збереглося багато історичних і архітектурних об'єктів, які можуть бути привабливими як для іноземців, так і для жителів України. Географію проведення фестивалів і їх тематику слід розширювати й у майбутньому.

Одним із важливих елементів туризму в Харківській області є сектор розміщування туристів. На сьогоднішній день – це важлива складова економіки регіону. Він є «візитною карткою» регіону, формує його імідж серед туристів, що приїжджають. Готельний бізнес також формує об'єм робіт для розвитку туризму, транспорту, громадського харчування, архітектури і проектування, культури і мистецтва, роздрібної торгівлі, страхування, реклами та ін.

У Харківській області сконцентровано 4,2% колективних засобів розміщування, у т. ч. 4,7% готелів та аналогічних засобів розміщування, 3,6% спеціалізованих засобів

³²⁸ Головне управління статистики у Харківській області.

розміщування від всієї бази сектору розміщування України, але доля регіону в країні за кількістю розміщених в них трохи більше ніж за колективними засобами розміщення в цілому (4,4%) і за готелями й аналогічними засобами розміщення (4,9%), тоді як за спеціалізованими засобами розміщення – істотно менше (2,6%).³²⁹ Коефіцієнт використання місткості готелів та аналогічних засобів розміщування у 2017 р. був таким, як в країні в цілому (0,24) і свідчить про недостатнє використання номерного фонду.³³⁰

Колективні засоби розміщування Харківської області пропонують туристу номер за смаком та ціною політикою від гуртожитків до номерів класу «люкс». Спираючись на стандарти міжнародної практики готельного господарства, в регіоні поширений розподіл колективних засобів розміщування на групи, виходячи з наданих ними зручностей і набору послуг. Станом на 2017 р. налічувалося 175 колективних засобів розміщування. Але в 2012-2013 рр. функціонувала максимальна кількість колективних засобів розміщення, що пов'язано з підготовкою і проведенням Євро-2012 (Табл. 3).

Таблиця 3. Колективні засоби розміщування в Харківській області (2011-2017 рр.)

Рік	Кількість колективних засобів розміщування, од.			Кількість місць, од.			Кількість розміщених, осіб		
	усього	у тому числі		усього	у тому числі		усього	у тому числі	
		газр	сзр		газр	сзр		газр	сзр
2011	197	103	94	16584	4788	11796	299613	239960	59653
2012	221	125	96	17541	5626	11915	301361	236874	64487
2013	222	130	92	17971	5969	12002	321018	256111	64907
2014	200	125	75	16028	5759	10269	258815	204915	53900
2015	192	123	69	15339	5559	9780	255024	217636	37388
2016	172	108	64	14355	5381	8974	268793	231120	37673
2017	175	116	59	13876	5633	8243	292245	253027	39218

газр – готелі та аналогічні засоби розміщування;

сзр – спеціалізовані засоби розміщування

Складено за даними³³¹

До Євро-2012 в Харкові було побудовано 28 готелів різної зоряності, в т. ч. п'ятизіркові: Kharkiv Palace (180 номерів) і Superior Golf Club (49 номерів). Ще в 10 проведена реконструкція і відкриті нові номери, наприклад, в «Сафарі» (4*, 20 номерів), «Немо» (4*, 40 номерів), «Рейкартц» (3*, 47 номерів), гуртожитку №14 юридичній академії (402 номери), «Сонячний» (21 номер). В результаті будівництва нових готелів змінилися умови для розвитку ділового туризму: з'явилися добре обладнані зали для проведення семінарів, конференцій і бізнес-тренінгів. Готелі категорій 3* і 1* займають майже 60% номерного фонду Харкова; 30% номерного фонду міста формують готелі 4* (Hotel 19, Park Hotel, Viva, Аврора, Британія та ін.); готелів категорії 5* лише 10% (Superior Golf and SPA Resort, Космополит, Kharkiv Palace). В Харкові 3 номери доводяться на одну тисячу жителів. Це найнижчий показник серед міст-мільйонників України. Для порівняння цей показник в Києві – 3,4, в Москві – 8, але в Парижі і Лондоні – 30.³³² А в цілому забезпеченість населення номерами в готелях та аналогічних засобах розміщування в Харківській області (1,2 на 1000 населення) нижче, ніж в цілому по країні (1,6).³³³

³²⁹ Статистичний збірник «Регіони України» 2018.

³³⁰ Статистичний щорічник України за 2017 рік.

³³¹ Колективні засоби розміщення у 2017 році.

³³² Зачем Харькову столько гостиниц?

³³³ Статистичний щорічник України за 2017 рік.

У структурі колективних засобів розміщення у 2017 р. Харківська область виділяється високою питомою вагою саме готелів, їх налічується 82 од. (46,8%), бази відпочинку та інші заклади відпочинку (крім турбаз) – 46 од. (26,7%), туристичні бази та літні табори – 22 од. (12,6%), гуртожитки для приїжджих – 7 од. (2,0%), кількість санаторіїв – 9 од. (5,1%), дитячих санаторіїв – 6 од. (3,4%), інші колективні засоби розміщування мають незначну кількість. Мережа мотелів, кемпінгів, молодіжних баз, хостелів розвинена слабо як в Україні в цілому, так і в Харківському регіоні.³³⁴ Основною причиною є відсутність чіткої законодавчої бази, стандартів будівництва, регуляторної і матеріальної бази, що направлена на вузький сегмент споживачів, зокрема на бюджетний. Хоча, як свідчить міжнародний досвід, саме такі підприємства, розраховані для бюджетних туристів, могли б дати значний поштовх розвитку сфери гостинності і створенню додаткової кількості робочих місць. Незважаючи на те, що якісних бюджетних готелів у наш час мало, активного розвитку сегмента бюджетних готелів не очікується. Власники готелів чекатимуть стабілізації економічної і політичної ситуації в Україні та на ринку готельної нерухомості зокрема.

Кількість розміщених туристів у засобах розміщення залежить від кількості об'єктів і місць в них. Максимальні значення цих показників припадають на 2013 рік. Загальна кількість місць в усіх засобах розміщення на початок 2018 року складала 13 876 од., у готелях та аналогічних засобах розміщування – 5 633 од., у спеціалізованих засобах розміщування 8 243 од. До 2013 року спостерігалася тенденція збільшення кількості розміщених. Порівняно з 2013 р. у 2017 р. їх кількість зменшилася на 28 773 ос. За кількістю колективних засобів розміщення область посідає 7 місце в Україні, за кількістю розміщених – 6 місце, за кількістю населення – 4 місце.³³⁵ Це вказує на значний невикористаний потенціал вже наявної, розбудованої готельної і рекреаційної інфраструктури, передусім, у місті Харків. Слід зазначити, сьогодні споживач стоїть перед дилемою: винайняти квартиру при відносно тривалому терміні перебування або зупинитися в готелі. Багато гостей не користуються послугами готелів.

Для поліпшення обслуговування гостей області необхідно провести реконструкцію матеріальної бази готелів, формувати кадри високої кваліфікації у сфері туристичного бізнесу, розвивати рекламу турпродукту області, створювати високоякісний інформаційно-довідковий матеріал.

Особливу увагу слід приділити відкриттю хостелів. Вони представляють самий бюджетний варіант комфортного проживання з широким набором послуг, що надаються: безлімітний інтернет, автостоянка, пральня, послуги з догляду за дітьми; розваги, обслуговування номерів та ін. Хостели добре підходять для студентів, великих компаній. І це дуже важливо, оскільки Харків – студентське місто. За кількістю вищих учбових закладів (65 з 661 в країні) і студентів на 10 000 ос. (636, в Україні – 363) Харківська область поступається тільки Київській.³³⁶

Розвиток готельної індустрії вимагає нових механізмів господарювання і ефективних організаційно-управлінських рішень, що забезпечить насичення ринку послугами різноманітних за ціновими і якісними характеристиками засобів розміщення. Обсяг інвестицій для реконструкції та будівництва готельної інфраструктури не відповідає потребам галузі. А ціни готелів не завжди відповідають параметрам якості і сервісу. Тому, щоб уникнути великих разових грошових витрат, харківські готелі поступово проводять реконструкцію номерів. Але для реалізації стратегії управління готельним господарством

³³⁴ Колективні засоби розміщення 2017 році.

³³⁵ Колективні засоби розміщення 2017 році; Статистичний щорічник України за 2017 рік.

³³⁶ Статистичний щорічник України за 2017 рік.

необхідно вивчення потреб ринку послуг сектора розміщення і активно впливати на його формування.

Санаторно-курортна справа – це один з давніх видів рекреації. З XIX ст. в Україні були відомі багато кліматичних, бальнеологічних грязьових курортів Криму і Одеси, курорти Прикарпаття й Закарпаття, Поділля, Полтави тощо. Мережа оздоровчих закладів Харківської області налічує 59 підприємств (3,6% від загальної кількості в країні). Серед них найбільш поширені бази відпочинку, інші заклади відпочинку (крім турбаз) – 71,2% (Рис. 1).

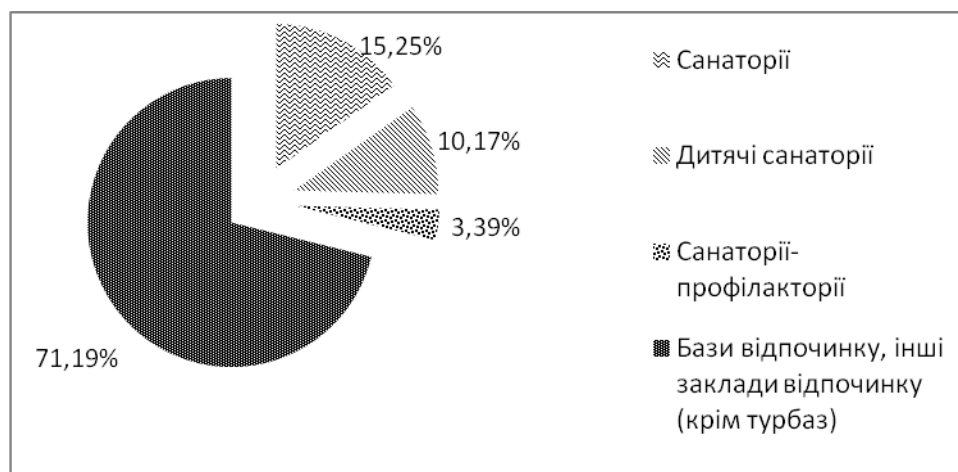


Рис. 1. Структура оздоровчих закладів Харківської області
(складено автором за даними³³⁷)

У 2017 р. в регіоні налічувалося 15 санаторіїв на 2 915 місць. До старих європейських курортів області відноситься курорт «Березовські мінеральні води», заснований в 1862 р. Унікальні мінеральні води з власного джерела, м'який клімат визначають профіль курорту – реабілітація хворих із захворюваннями органів травлення, обміну речовин, нирок й сечовивідних шляхів.

На Харківщині розвивається дитячий відпочинок і оздоровлення, який здійснювали влітку 2017 року 745 дитячих закладів оздоровлення та відпочинку на 5 955 місць, у т. ч. 19 закладів оздоровлення на 3 894 місць. Питома вага оздоровлених дітей у загальній кількості дітей 7-16 років в області перевищує загальноукраїнський рівень в 1,9 рази.³³⁸

Більшість оздоровчих закладів (71,2%) складають заклади відпочинку в основному сезонної дії, але за кількістю оздоровлених (43,9%) вони поступаються санаторіям (50,2%), які працюють цілорічно.³³⁹

Розвиток санаторно-курортної сфери в області потребує погодженого розвитку у рамках індустрії туризму країни. Курортно-лікувальний туризм може стати пріоритетним напрямом розвитку внутрішнього і іноземного туризму. Для цього потрібні дослідження структури попиту на курортні послуги, формування рекреаційної пропозиції з урахуванням потреб відпочиваючих, що змінилися, значні капіталовкладення в розвиток матеріально-технічної бази курортів із залученням як вітчизняних, так і зарубіжних інвестицій.

Харківська область належить до регіонів з одним із найвищих рівнів розвитку транспортної інфраструктури. Транспортний комплекс представлений такими складовими, як автомобільний, залізничний, авіаційний, міський наземний електричний транспорт та метрополітен. Усіма видами транспорту у 2018 р. виконано пасажирообіг в обсязі

³³⁷ Колективні засоби розміщення 2017 році.

³³⁸ Статистичний щорічник України за 2017 рік.

³³⁹ Колективні засоби розміщення 2017 році.

8 242,8 м пас. км, що становило 99,5% від обсягів 2017 р., послугами пасажирського транспорту скористалися 598,5 млн пасажирів, що менше, ніж в 2017 р. на 1,3%.³⁴⁰

Регіон характеризується високим рівнем транспортної доступності, маючи цілу низку конкурентних переваг. Найголовніша з них – це наявність міжнародного аеропорту «Харків», реконструйованого в рамках підготовки до проведення матчів Чемпіонату Європи з футболу ЄВРО-2012. Це один з найбільш сучасних аеропортів України. Він знаходиться в межах Харкова і в найближчій перспективі буде пов'язаний метрополітеном з транспортною мережею міста.

Нова злітно-посадочна смуга (2 500 м), введена в експлуатацію в 2011 р., обладнана за II категорією ICAO. Вона дозволяє без обмежень приймати усі типи середньомагістральних літаків і деякі типи далекомагістральних літаки в погану погоду. У 2012 р. аеропорт «Харків» приймав футбольні команди і уболівальників чемпіонату з футболу Євро-2012. Завантаження аеропорту іноді було дуже високим, тому для стоянки літаків використовувалася стара злітно-посадочна смуга.³⁴¹

З аеропорту м. Харкова у 2018 р. транспортною авіацією відправлено 962,5 тис. пасажирів (у 2014 р. – 187,4 тис.), у т. ч. у міжнародному сполученні – 760,2 тис. (у 2014 р. – 129,2 тис.), що становило відповідно 79,0,1% та 68,9% від обсягів 2018 та 2014 рр.

В українських аеропортах позитивні тенденції в обслуговуванні зльотів й посадок спостерігаються третій рік підряд. За кількістю рейсів у 2018 р. Харківський аеропорт зайняв 4 місце в країні (8 978 рейсів, або 4,4 % від загальної кількості в країні) після аеропортів Києва («Бориспіль» і «Жуляни»), Одеси і Львова.³⁴² З аеропорту «Харків» у 2018 р. були відкриті нові рейси у Відень, Лондон, Дортмунд, Катовіце, Вроцлав, Гданськ і сезонні рейси до Тбілісі, Батумі, Барселони, Мілану, Риміні і Бургас.³⁴³

У стратегічних планах розвитку аеропорту – об'єм пасажиропотоку в 2 млн. пасажирів. Саме такий потік може обслужити харківський аеропорт. Це можливо при тісній співпраці з українськими, європейськими і азіатськими перевізниками, підписанні договору про «відкрите небо» між Україною і ЄС, збільшенні доходів населення³⁴⁴.

Харків є головною пасажирською залізничною станцією Південної залізниці в Харкові, вузловим центром залізничного сполучення Східної України, який обслуговує 6 суміжних областей. У місті сходяться 8 залізничних магістралей. Залізничний вокзал «Харків-Пасажирський» посідає третє місце (у 2013 р. – друге) в Україні за кількістю пасажирів дальнього сполучення (5,7 млн. ос.) після вокзалу «Центральний залізничний» у Києві (23,4 млн. ос.) і вокзалу у Львові (8,3 млн. ос.).³⁴⁵

У 2012 р. Україна закупила швидкісні потяги з Південної Кореї і Чехії і був скасований ряд поїздів внутрішнього сполучення: з Харкова до Житомира, Трускавця, Ужгорода, Івано-Франківська (через Чернівці), а також Луганськ – Львів, Дебальцеве – Хмельницький (укорочений до Києва та продовжений до Луганська), Суми – Луганськ (став Харків – Луганськ). За останні роки були скасовані поїзди: Харків – Санкт-Петербург, Харків – Владивосток (спочатку був укорочений до Уфи), Харків – Брянськ, Харків – Тамбов (Липецьк), Харків – Мурманськ, Харків – Чернігів, Харків – Умань.

З 2014 р. через збройний конфлікт в Донецькій й Луганській областях припинено рух поїздів, що прямують в Дебальцеве, Луганськ і Донецьк. З кінця 2014 р. скасовані поїзди на

³⁴⁰ Головне управління статистики у Харківській області.

³⁴¹ Історія.

³⁴² Стало известно, сколько рейсов обслужил каждый аэропорт Украины в 2018 году.

³⁴³ Стали известны итоги работы аэропорта Харьков в 2018 году.

³⁴⁴ Гавань Ярославского: как борется за жизнь аэропорт Харьков.

³⁴⁵ «Укрзалізниця» назвала найбільш завантажені маршрути і вокзали.

Крим, а поїзди з Харкова слідуєть до ст. Новоолексіївка Херсонської області. Такі зміни призвели до перерозподілу пасажиропотоків між окремими видами транспорту.

Харківський регіон займає друге місце після Дніпропетровської області (1 554 км) за експлуатаційною довжиною залізничних колій (1 520 км), четверте місце – за щільністю залізниць (48) після Львівської (58), Чернівецької (51) і Дніпропетровської (49) областей, третє місце – за кількістю відправлених пасажирів (після Київської і Дніпропетровської областей). У 2018 р. залізничним транспортом області відправлено 24 226,2 тис. пасажирів, що у 1,8 разу менше, ніж в 2010 р.³⁴⁶

Перше місце в Україні Харківська область посідає за протяжністю автодоріг загального користування (понад 9,4 тис. км), з них 97,5% – з твердим покриттям. Проте якість автомобільних доріг не відповідає вимогам сучасних перевізників. Переважають дороги IV категорії, на другому місці – дороги III категорії, а дороги I категорії складають лише 1,9%. Структура доріг за категоріями гірша, ніж в цілому по Україні (Рис. 2).

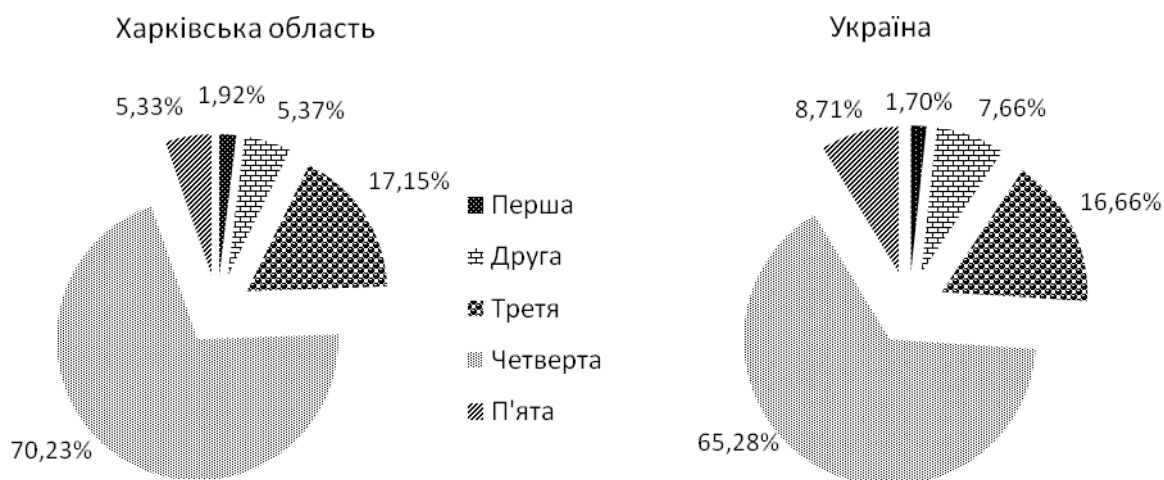


Рис. 2. Структура доріг за категоріями (складено автором за даними³⁴⁷)

Регіон знаходиться на п'ятому місці в Україні за кількістю пасажирів, які скористалися автомобільним транспортом у 2017 р. (113,9 млн.). З них тільки 257,8 тис. ос. (0,2% від загальної кількості) припадало на міжнародні перевезення. Послугами автомобільного транспорту (з урахуванням перевезень фізичними особами-підприємцями) у 2018 р. скористалося 103,0 млн. пасажирів, що менше ніж у 2014 р. на 20,4%.

У період 2000-2018 рр. кількість поїздок в автобусах у розрахунку на одну особу у середньому за рік змінювалася нерівномірно. За 2000-2005 рр. спостерігалось зростання показника з 35 до 56, а в наступні роки – зниження до 38 у 2018 р. з невеликим збільшенням у 2012 р.³⁴⁸

Велике значення для туристів має наявність автозаправних станцій. На кінець 2017 р. у Харківській області їх налічувалося 472 од., тобто 7,3% від їх кількості по країні. Порівняно з 2010 р. з урахуванням фізичних осіб-підприємців їх кількість в області зросла на 11,3%, у той час як по країні воно скоротилося на 8,1%. Однак кількість станцій в області нестабільно по роках й лише порівняно з 2014 роком воно скоротилося на 18 одиниць.³⁴⁹

³⁴⁶ «Укрзалізниця» назвала найбільш завантажені маршрути і вокзали; Головне управління статистики у Харківській області.

³⁴⁷ Головне управління статистики у Харківській області.

³⁴⁸ Транспорт і зв'язок України – 2017; Статистичний щорічник України за 2017 рік; Державний комітет статистики України.

³⁴⁹ Транспорт і зв'язок України – 2017.

Житлові райони міста пов'язані численними автобусними, тролейбусними і трамвайними маршрутами. Але основа транспортної мережі – метрополітен. Він має 30 станцій з трьома підземними пересадковими вузлами в центрі міста і органічно збагачує його архітектурний образ. Всі станції відрізняються за архітектурним виконанням: колонні й односклепінні, пілонного типу.

Він діє з 22 серпня 1975 року. У 2013 р. КП «Харківський метрополітен» займав 51 місце за пасажиропотоком серед метрополітенів світу, але за протяжністю – 100.³⁵⁰ За щільністю (співвідношення кілометражу ліній до площі міста) Харківський метрополітен посідає перше місце; за протяжністю ліній (39 км) і пасажиропотоком – друге місце в Україні після Київського³⁵¹. Три лінії метрополітену дозволяють забезпечувати досить великий потік пасажирів без навантаження на навколишнє середовище та вулично-дорожню мережу. Харківським метрополітеном у 2018 р. перевезено 223,0 млн. пасажирів, що становило 104,0% від обсягів перевезень 2014 р.

Трамваями та тролейбусами міста у 2018 р. в цілому перевезено 239,9 млн пасажирів, що на 7,3% більш, ніж у 2014 р.³⁵²

Однак у цей час із туристичними комплексами й зонами слабо організовані транспортні зв'язки. У центральній частині Харкова ускладнений проїзд екскурсійних автобусів у години-пік. Проблема може загостритися, якщо буде рости рівень автомобілізації й обсяг туристичних потоків. Також проблемою недостатня кількість місць паркування для туристичних великогабаритних автобусів.

Туристичне середовище повинне бути індивідуальною й емоційно виразною зі святковою й насиченою атмосферою. У туристичних зонах необхідно встановити «знаки», тобто пізнавані елементи, які асоціюються із цим місцем. Для зручності туристів уже відкриті таблички з QR-кодами на всіх об'єктах, що складають «Сім чудес Харкова». Найважливішим фактором, що впливають на туристичний попит, безпека. Зараз у Харкові підтримці громадського порядку приділяється достатня увага, але при формуванні туристичних зон виникає необхідність у розміщенні служб безпеки, відділень поліції. Наявність елементів благоустрою, необхідного встаткування (включаючи інформаційне), гарного квіткового оформлення й озеленення, зручна транспортна й пішохідна доступність до об'єктів масового відвідування забезпечують фізичні й психологічні комфортні умови для перебування туристів.

Особливу увагу слід надавати індивідуальності й оригінальності вигляду туристичних територій і об'єктів, різноманітності архітектурних моделей настроювання, тому що це сприяє появі інтересу до них у туристів. Важливо продовжити формування іміджу Харкова як привабливого для туристів міста. При використанні наявних туристичних ресурсів велике значення буде мати створення розвинутої системи послуг, нових привабливих об'єктів, розваг, атракцій.

Висновки. Харківська область має необхідні для розвитку туризму: природно-рекреаційні, історико-культурні, архітектурні, трудові та інфраструктурні ресурси, добродушність населення. Однак на ринку туризму регіон ще слабо відомий, і на сучасному етапі його туристичні ресурси використовуються недостатньо ефективно.

Існують проблеми стосовно розміщення туристів, незадовільним станом якості послуг та браком туристичної пропозиції, відсутності у більшості готелів номерів для інвалідів, на що приділяється особлива увага в Європі. Заповнюваність готелів недостатня і буде залежати від макроекономічної ситуації в Україні, стабільності національної валюти й тривалості бойових

³⁵⁰ Разработка Стратегии развития Харькова до 2020 года: культура и туризм.

³⁵¹ Транспорт і зв'язок України – 2017.

³⁵² Головне управління статистики у Харківській області.

операцій у зоні АТО. Потрібне законодавче регулювання на регіональному рівні кількості готелів певних категорій, виходячи з можливих об'ємів туристичних потоків в регіоні.

Перешкодою іноземним туристам для відвідання нашого регіону є відсутність детальної інформації на іноземній мові про область, готелі, про рекреаційні зони, туристичні фірми з переліком вартості турпродуктів, послуг, рух транспортних засобів, застосування туристичних технологій – електронних інформаційних довідників. Недостатні знання нашими співвітчизниками іноземної мови (наприклад, англійської, німецької) ускладнює перебування в області іноземних туристів. Негативно впливає на розвиток туристичної галузі те, що в системах бронювання не рекомендується в'їзд в Україну через небезпечне перебування в країні.

Загалом у Харківському регіоні спостерігається висока розвиненість транспортної системи, що позитивно впливає на туристичну інфраструктуру і на економічний стан в цілому. Проте на сьогоднішній день, у період політичних і економічних негараздів, Харківський регіон все ж має низку перешкод і проблем, які пов'язані з транспортом та пасажирськими перевезеннями.

Харків за новим іміджевим позиціонуванням тепер розглядається в рамках брендингової концепції «Smart city». Місто здавна було центром культурних, торговельних і ділових зв'язків. Для підтримки нового іміджу Харків повинен брати участь у виставках міст-партнерів, а також у міжнародних виставках.

Слабке державне фінансування і відсутність підтримки за рахунок спеціальних програм і законів є головною проблемою розвитку туризму. Створення сприятливих умов для туристичного бізнесу, схем і цільових фондів розвитку туризму, надання субсидій і пільг сприятиме виходу області на міжнародну туристичну арену. Фактором туристичної привабливості Харківщини може стати подальша диверсифікованість туристичного продукту, створення нових регіональних турпродуктів з метою залучення туристів із усіх куточків України відвідати наш край. Це обумовлене викликами часу, а також необхідністю створення туристичного іміджу області на державному ринку туризму. Особливу увагу слід приділити розвитку ділового, освітнього, подієвого, медичного, спортивного й дитячого туризму.

У Харкові приділяється й буде приділятися увага тому, щоб жителі міста й туристи почували себе комфортно. Як підкреслив заступник директора Департаменту міжнародного співробітництва А. Понікаровський, «щоб місто було привабливим у туристичній сфері, воно повинно бути, насамперед, комфортним для городян». Однак для розвитку сфери культури виділяється дуже мало державних коштів. Тому необхідно шукати можливості залучення інвестицій і грантів, створювати конкретні проекти із залученням коштів інвесторів і меценатів. Таким чином, важливим стратегічним напрямком туристичного Харкова є розвиток міжнародних зв'язків.³⁵³

Для інтенсифікації туристичної діяльності в Харківському регіоні необхідні: забезпечення туристичної індустрії професійними кадрами, подальший розвиток об'єктів туристичної інфраструктури, розробка інноваційних турпродуктів, відновлення наявних туристичних маршрутів, популяризація туристичного продукту.

Література:

1. Гавань Ярославского: как борется за жизнь аэропорт Харьков. URL: https://cfts.org.ua/articles/gavan_yaroslavskogo_kak_boretsya_za_zhizn_aeroport_kharkov_795.
2. Голиков А. П., Казакова Н. А., Шуба М. В. Харьковская область, региональное развитие: состояние и перспективы: монография / Под ред. чл.-кор. НАН Украины, проф. В. С. Бакирова. – Х.: ХНУ имени В. Н. Каразина, 2012. – 224 с.

³⁵³ Разработка Стратегии развития Харькова до 2020 года: культура и туризм.

3. Головне управління статистики у Харківській області. URL: <http://kh.ukrstat.gov.ua>.
4. Державний комітет статистики України. URL: <http://www.ukrstat.gov.ua>.
5. Доклад директора Департамента коммунального хозяйства городского совета Виктора Китанина на тему: «Защита зеленых насаждений и Лесопарка г. Харькова». URL: <http://www.city.kharkov.ua/ru/document/doklad-direktora-departamenta-kommunalnogo-hozyaystva-gorodskogo-soveta-viktora-kitanina-41103.html>.
6. Достопримечательности Харьковской области в Харькове. URL: <https://mykharkov.info/catalog/dostoprimechatelnosti-xarkovskoj-oblasti>.
7. Зачем Харькову столько гостиниц? URL: <http://capital.kh.ua/special-topics/gas/Zachem-Harkovu-stolko-gostinic.html>.
8. История. URL: <https://hrk.aero/ru/istoriya-aeroporta/>.
9. Колективні засоби розміщення у 2017 році: статистичний збірник. URL: http://www.ukrstat.gov.ua/druk/publicat/kat_u/2018/zb/05/zb_kzr_2017.pdf.
10. Минеральные воды. Харьковская обл. URL: <https://www.zdravnica-ua.com/rus/services/mineral-water/kha/>.
11. Природно-заповідний фонд і система природних територій та об'єктів, що підлягають особливій охороні URL: <http://www.harkiv.ru>.
12. Разработка Стратегии развития Харькова до 2020 года: культура и туризм. URL: <http://belinskogo.kh.ua/news/1383.html>.
13. Сідоров М. В., Юрченко О. Є., Юрченко С. О. Україна на світовому ринку туристичних послуг: сучасний стан та перспективи розвитку: монографія. – Х.: ХНУ імені В. Н. Каразіна, 2017. – 256 с.
14. Стали известны итоги работы аэропорта Харьков в 2018 году. URL: https://www.avianews.com/ukraine/2019/01/14/hrk_2018_results/.
15. Стало известно, сколько рейсов обслужил каждый аэропорт Украины в 2018 году. URL: https://cfts.org.ua/news/2019/02/12/stalo_izvestno_skolko_reysov_obslyuzhil_kazhdyy_aeroport_ukrainy_51648.
16. Статистичний збірник «Регіони України» 2018. Ч. I. URL: https://ukrstat.org/uk/druk/publicat/kat_u/2018/zb/11/zb_ru1ch2018.pdf.
17. Статистичний щорічник України за 2017 рік. URL: http://www.ukrstat.gov.ua/druk/publicat/kat_u/2018/zb/11/zb_seu2017_u.pdf.
18. Стратегія розвитку Харківської області на період до 2020 року. URL: <http://old.kharkivoda.gov.ua>.
19. Твой любимый Харьков URL: <https://voj.kharkov.ua/nature/nature.php?r=1>.
20. Транспорт і зв'язок України – 2017: Статистичний збірник. URL: http://www.ukrstat.gov.ua/druk/publicat/kat_u/2018/zb/08/zb_tr2017pdf.pdf.
21. Туризм в системі пріоритетів регіонального розвитку: монографія / За ред. проф. В. В. Александрова. – Х.: ХНУ імені В. Н. Каразіна, 2010. – 268 с.
22. Туристична діяльність в Україні у 2017 році: статистичний збірник. URL: http://www.ukrstat.gov.ua/druk/publicat/kat_u/2018/zb/05/zb_td_2017.pdf.
23. «Укрзалізниця» назвала найбільш завантажені маршрути і вокзали. URL: <https://hmarochos.kiev.ua/2019/03/02/ukrzaliznytsya-nazvala-najzavantazhenishi-poyizdy-ivokzaly/>.
24. Юрченко С. А. Семь чудес Харькова как символы развития туризма / Туризм и региональное развитие: Сборник научных статей. Выпуск 6. – Смоленск: Универсум, 2011. – С. 310-318.
25. Юрченко С. О., Юрченко О. Є. Міжнародний туризм: навчальний посібник [для студентів спеціальностей «Туризмознавство», «Міжнародні економічні відносини»]. – Х.: ХНУ імені В. Н. Каразіна, 2016. – 328 с.

References:

1. Harbor Yaroslavsky: how fighting for the lives of the Kharkiv airport (2019): [online]. [Cited 6. 06. 2019.] Available online: https://cfts.org.ua/articles/gavan_yaroslavskogo_kak_boretsya_za_zhizn_aeroport_kharkov_795.
2. Golikov, A. P., Kazakova, N. A., Shuba, M. V. (2012): Kharkiv region, regional development: state and prospects: monograph, under the editorship of prof. Bakirova V. S. Kharkiv. KNU V. N. Karazin, 2012, 224 p.

3. Main Department of statistics in Kharkiv region [online]. [Cited 16. 06. 2019.] Available online: <http://kh.ukrstat.gov.ua>.
4. The official website of the State statistics service of Ukraine: [online]. [Cited 22. 06. 2019.] Available online: <http://www.ukrstat.gov.ua>.
5. The report of the Director of the Department of public utilities of the city Council Victor Kitaninon the theme: "Protection of nasazeni green and the Forest Parkof Kharkiv»: official site of Kharkiv city Council, mayor, Executive Committee: [online]. [Cited 15. 06. 2019.] Available online: <http://www.city.kharkov.ua/ru/document/doklad-direktora-departamenta-kommunalnogo-hozyaystva-gorodskogo-soveta-viktora-kitanina-41103.html>.
6. Sights of the Kharkov region in Kharkov: MyKharkov.info: [online]. [Cited 22. 06. 2019.] Available online: <https://mykharkov.info/catalog/dostoprimechatelnosti-xarkovskoj-oblasti>.
7. Why does Kharkov need so many hotels?: [online]. [Cited 16. 06. 2019.] Available online: <http://capital.kh.ua/special-topics/gas/Zachem-Harkovu-stolko-gostinic.html>.
8. History: [online]. [Cited 5. 06. 2019.] Available online: <https://hrk.aero/ru/istoriya-aehroporta/>.
9. Collective means of accommodation in 2017: statistical compilation (2018): [online]. [Cited 5. 06. 2019.] Available online: http://www.ukrstat.gov.ua/druk/publicat/kat_u/2018/zb/05/zb_kzr_2017.pdf.
10. Mineral waters. Kharkov region: [online]. [Cited 6. 06. 2019.] Available online: <https://www.zdravnica-ua.com/rus/services/mineral--water/kha/>.
11. Conservation Fund and System of Natural Areas and Special Protection Areas: [online]. [Cited 6. 06. 2019.] Available online: <http://www.harkiv.ru>.
12. Development of the Kharkov 2020 Development Strategy: Culture and Tourism (2016) [online]. [Cited 4. 05. 2019.] Available online: <http://belinskogo.kh.ua/news/1383.html>.
13. Sidorov, M. V., Iurchenko O. E., Iurchenko S. A. (2017): Ukraine on the world tourism market: current state and prospects of development: monograph. Kharkiv. V. N. Karazin, 2017, 256 p.
14. The results of the operation of the Kharkov Airport in 2018 became known: [online]. [Cited 19. 06. 2019.] Available online: https://www.avianews.com/ukraine/2019/01/14/hrk_2018_results/.
15. It became known how many flights served each airport of Ukraine in 2018 (2019): [online]. [Cited 6. 06. 2019.] Available online: https://cfts.org.ua/news/2019/02/12/stalo_izvestno_skolko_reysov_obslyuzhil_kazhdyy_aeroport_ukrainy_51648.
16. Statistical compilation "Regions of Ukraine" 2018, P. I.: [online]. [Cited 10. 06. 2019.] Available online: https://ukrstat.org/uk/druk/publicat/kat_u/2018/zb/11/zb_ru1ch2018.pdf.
17. Yearbook of Ukraine for 2017 (2018): [online]. [Cited 5. 06. 2019.] Available online: http://www.ukrstat.gov.ua/druk/publicat/kat_u/2018/zb/11/zb_seu2017_u.pdf.
18. Development strategy of Kharkiv region for the period up to 2020: [online]. [Cited 6. 05. 2019.] Available online: <http://old.kharkivoda.gov.ua>.
19. Your favorite Kharkiv: [online]. [Cited 6. 06. 2019.] Available online: <https://tvoj.kharkov.ua/nature/nature.php?r=1>.
20. Transport and communication of Ukraine – 2017: Statistical compilation (2018): [online]. [Cited 5. 06. 2019.] Available online: http://www.ukrstat.gov.ua/druk/publicat/kat_u/2018/zb/08/zb_tr2017pdf.pdf.
21. Tourism in the system of priorities of regional development: monograph (2010) / under the editorship of prof. V. V. Alexandrov. Kharkiv, KNU V. N. Karazin, 2010, 268 p.
23. Tourist activity in Ukraine in 2017: statistical compilation (2018): [online]. [Cited 6. 06. 2019.] Available online: http://www.ukrstat.gov.ua/druk/publicat/kat_u/2018/zb/05/zb_td_2017.pdf.
24. "Ukrzaliznytsia" called the busiest routes and stations (2019): [online]. [Cited 4. 06. 2019.] Available online: <https://hmarochos.kiev.ua/2019/03/02/ukrzaliznytsya-nazvala-najzavantazhenishi-poyizdy-i-vokzaly/>.
25. Iurchenko, S. A. (2011): Seven wonders of Kharkiv as symbols of tourism development. Tourism and regional development: Collection of scientific articles. Smolensk. 2011, No. 6, P. 310-318.
26. Iurchenko, S. A., Iurchenko, O. E., (2016): International tourism: textbook [for students majoring in "Tourism", "International economic relations"], Kharkiv. KNU V. N. Karazin, 2016, 328 p.

Part 3. Modern Aspects of Realization of Security of a Person and Society

3.1. Gender features of domestic violence

Violence is one of the most widespread forms of human rights violations. As a rule, women, children and the elderly are the most affected by violence. The most common and most difficult to counteract is domestic violence. Violence in the family is inherent in many countries, despite their positive achievements in the legislative, political and practical spheres. As mentioned above, women are the main victims of domestic violence, which, in our opinion, occurs precisely because of gender characteristics. Such actions can be called gender-based violence. The concept of "gender-based violence" is new to global and domestic legal science. However, there are certain types of violence in which women are predominantly victims. Therefore, the United Nations has decided to distinguish between violence and gender based violence or violence against women (VAW).

The phenomenon of domestic violence is not a problem of an individual state or ethnic group, and that is why the civilized world has decided, jointly, to change the situation for the better. In 2011, in Istanbul, the Council of Europe has elaborated the Convention on the Prevention of and Treatment of Violence against Women and Domestic Violence (CETS No 210, Istanbul Convention). The Istanbul Convention is a comprehensive international instrument aimed at protecting, preventing, judging and developing a strategy for combating violence against women and domestic violence. The Convention contains effective mechanisms for combating violence, as well as an international system for monitoring its implementation. The Convention defines the concept of "violence against women", which is understood as a violation of human rights and the form of discrimination against women, and refers to all acts of gender-based violence against women resulting in or likely to be physical, sexual, psychological or economic harm or suffering in relation to women, including threats of such acts, coercion or arbitrary deprivation of liberty, regardless of whether it occurs in public or private life.³⁵⁴

At the same time, it should be noted that the use of gender-based violence is the most widespread phenomenon and that is why it is paid much attention to it. Article 1 of the UN Declaration on the Elimination of Violence against Women states that "violence against women is an arbitrary act of violence committed on the basis of a sexual feature that causes or is likely to cause physical, sexual or psychological harm or suffering to women, and the threat of committing such acts, compulsory or arbitrary deprivation of liberty or private life."³⁵⁵

Domestic violence – acts (acts or inaction) of physical, sexual, psychological or economic violence committed in the family or within the place of residence or between relatives, or between the former or the present spouses, or between other persons who live together) with one family but not staying (not staying) in a family relationship or marriage to one another, regardless of whether the person who committed domestic violence resides in the same place as the victim and threats of committing such acts. An act is recognized as violence only when it violates the requirements of the current legislation and leads or may lead to violation of the constitutional rights and freedoms of the family member. Domestic violence can take the form of active actions (beatings, destruction of property, etc.), and inactivity, that is, the passive behavior of a person when he does not commit actions that he could and should do to prevent the passing

³⁵⁴ Council of Europe Convention on the Prevention and Combating of Violence against Women and Domestic Violence.

³⁵⁵ United Nations Declaration on the Elimination of Violence Against Women.

of harmful consequences (for example, failure to provide helping a family member who is in a dangerous position for life).³⁵⁶

It is possible to conclude a typology of persons who commit violence in the family:

- a regressive type, which, due to a low self-esteem, is not able to control their tends and desires, loses the limits allowed during the performance of the function of the administrator in the family;

- a morally indiscriminant type, characterized by brutal behavior and brutal attitude towards family members, forcing them to engage in sexual contact with the use of physical force, using the helpless state of the victim;

- sexually irresolvable type that does not have any moral principles, norms and rules in the sexual satisfaction of their needs;

- inadequate type – sociopaths who do not obey social norms and treat family members as property that does not constitute any moral value and have no right to personal expression³⁵⁷.

The following types of violence in the family are distinguished:

- between spouses (male – female, in most cases, violence is committed by a man, but there are opposing cases);

- between parents and underage children (violence can be carried out both by the father and mother);

- between adult children and parents (violence can be done by adults as against parents, and vice versa, although the first case is more common). It is a quite typical situation where children who grew up in an atmosphere of violence establish their relationships with their parents on the same principles of violence. Violent attitude towards parents may also occur in families where children have grown in an atmosphere of permissiveness;

- between children in one family (this behavior usually occurs in the background of violent relationships between adult members of the family and can be diverse in nature – older children can commit violence against the younger, brothers over sisters, children can be united for violence against someone else from children);

- violence between other family members: between the mother-in-law or the test and the son-in-law, the father-in-law or the mother-in-law and the daughter-in-law, grandchildren and grandparents, etc.

Jerzy Melibreuda highlighted the following signs of domestic violence:

- Violence is always carried out on a prior intention that is intentionally. This means that the person who committed the violence had known or should have been aware of the nature of the actions or inaction that he was carrying out, had foreseen or could foresee (based on his physical and mental condition) the possibility of occurrence of such harmful consequences as causing moral harm, physical or mental harm the health of another family member. It should be noted that the perpetration of violence in the state of alcohol intoxication does not exclude the possibility of the person to be aware of and predict the onset of harmful consequences. According to the Criminal Code of Ukraine, a person who has committed crimes in the state of intoxication as a result of the use of alcohol, narcotic drugs or other sedating means is subject to criminal liability;

- actions that make effective self-defense impossible. More often, people who commit violence have certain advantages – it may be age, physical strength, economically advantageous situation, etc. For example, a teacher mocks a pupil, forcing him or her to do shameful acts before the whole class, having an advantage over age, position, status;

- actions violate the rights and freedoms of a person. The murderer always tries to control his victim, thereby limiting his rights and freedoms. For example, if a woman does not want, she

³⁵⁶ Chayka V. V. Sotsialna obumovlenist kryminalizatsiyi nasylstva v rodyini, p. 105.

³⁵⁷ Kocherhina I. Psykholohichne nasylstvo nad zhinkoyu: prychny i naslidky, p. 70.

cannot just have an intimate relationship with her partner right now, but he insists, insults, threatens and eventually gets desirable – it is a violent act;

- violent actions cause damage (physical, moral, psychological, material) to another person. The consequence of violent action is always a harm - it can be a material loss (stolen money, a selected part of the jointly earned property), and injuries (bruises, fractures), and deterioration of the emotional state (shame, fear, oppression). For example, harm from blackmail can be depression, suicide attempt.

Also, Jerzy Melibreuda considers another important aspect – so called hot and cold violence.

Characterizing the hot violence, he refers to such psychological features of the behavior of the rapist as rampant – emotion-filled phenomenon of the rupture of the mental shell of the individual. This shell for some time constrains mental stress, impotence, hatred, aggression, etc. However, anger and rages are rising, rampant gets its accumulation. Psychologists note that although most people define the obscenity of such feelings, but the experience of ecstasy, which is inherent in the solution to the problem of ostentation, has some attraction. This is a powerful dark force that destroys the person, governs it, and cripples its moral and ethical principles.

Cold violence is a scenario that a person has learned throughout his life, often in his or her parents' family, or from the general culture of social relationships. Here is a typical example of the present days. Dirty lyrics are a "safe" manifestation of psychological violence. When a child, a teenager, a young man grows up among dirty liars, they become the norm for him. And for his beloved girl, his wife's behavior is already a scenario of cold violence³⁵⁸. Often, a person who grew up in a family where it was the norm to insult, humiliate, restrict, ignore and swear, it finds its realization as a habitual scenarios in their married life. It is worth considering the concept of the cycle of violence as a phenomenon, which is a manifestation of more frequent hot violence, unbridled feelings of the offender, and his ecstasy in the manifestation of strong dark forces of indignation.

The cycle of violence is a psychological mechanism between an aggressor and a victim. When trying to prevent violence, to overcome its consequences, it turns out that this mechanism is quite common and standard. Therefore, it is worth analyzing it from a psychological point of view and looking for ways to stop the social relay race of violence, to find levers of assessment of the behavior of the abuser and the victim to get out of this circle. The cycle of violence can vary in duration from a few hours to many years. Consequently, raping, ecstasy, cruel manifestation of violence is the completion and at the same time the beginning of a new cycle of violence. The victim has suffered, the offender is asking for forgiveness, promises that nothing alike more will not happen anymore. The scared victim believes and hopes that her behavior will contribute to the peaceful coexistence of family members. The victim sees the abusive image of the person she loves, and forgives all to that image. Forgiving violence is also driven by belief in one's own fault. Often you can hear phrases that have already become oral folk art: "your own fault ", " You should have known who you married to ", and so on. The accusation of victim in violence is an indication of the patriarchal regime and the culture of rape. Another reason to forgive domestic violence is the social rationale for such violence: "jealous, therefore, he loves," "he cares about you so much," "man is more predictive", "step up, be wiser", "and who doesn't suffer nowadays?"

So calming and then reconciliation have come. The tyrant often manages to convince the victim that she is guilty in many ways - did not comply with the requirements, provoked an act of aggression. The victim is trying hard to please the abuser, to prevent a new dissatisfaction. But the conflict is resolved, so there are new contradictions and circumstances. There comes a phase of intensifying the tension that breaks again in the case of violence. The cycle ends and at the same time a new one begins. In almost all such families, with time, the stages of calming and

³⁵⁸ Kosenko S. S. Nasylystvo v simyi, yoho vydy ta motyvy, p. 167.

reconciliation are reduced, and cases of violence become more frequent. Violence in the family occurs in all sectors of society, regardless of religion, race, sexual preferences, professional and educational level. The perpetrators of violence try to get power and control over their close partners. The authorities are gaining the appearance of strategic offensive tactics (physical, sexual, verbal, emotional), which provides increased control.

The following causes lead to domestic violence:

- social (tension, conflict, violence in society, propaganda in the media of violence as a model of behavior);
- economic (material disadvantages; lack of decent living conditions and, at the same time, the absence of conditions for employment and earnings, economic dependence, unemployment);
- psychological (stereotypes of behavior);
- pedagogical (lack of a culture of behavior – legal, moral, civil, aesthetic, economic, labor);
- socio-pedagogical (lack of conscious paternity, family values in society, positive model of family life on the basis of gender equality, family education based on the rights of the child);
- legal (the attitude towards violence as an intra-family problem, and not as a negative social phenomenon, for family members – as property; insufficient legal consciousness);
- political (propensity for gender stereotypes; insufficient priority of family problems and gender equality; attention to maternity and childhood, not to the family as a whole; lack of attention to parenthood; men);
- social and medical (lack of reproductive culture among the population, responsible parenting, family doctors, alcoholism, drug addiction, aggression, etc.);
- physiological and medical (violations of the hormonal background, metabolism, reaction rates, intake of excitatory drugs, diseases of the nervous system, etc.)³⁵⁹.

There are four forms of such violence: physical, sexual, psychological, and economic. However, another form of gender-based violence in the family is the direct control of female sexuality: forced abortions and forced pregnancies.

Physical violence is a form of domestic violence that includes slips, kicking, pushing, pinching, flogging, biting, as well as illegal deprivation of liberty, beatings, muzzle, causing bodily harm of varying degrees of severity, abandoning danger, failing to provide assistance to a person who is in a life-threatening state, causing death, committing other offenses of a violent nature. Sexual abuse is a form of domestic violence that includes any act of a sexual nature committed against an adult without her consent or with regard to a child, regardless of her consent, or in the presence of a child, coercion of a sexual act with a third person, and other offenses against sexual freedom or sexual integrity of a person, including those committed against or in the presence of a child.

In addition, incest – sexual relationships between close relatives – father and daughter, mother and son, brother and sister, etc. – belongs to sexual violence in the family. Extremely dangerous manifestations of sexual violence in the family are sexual acts in relation to the child: the abuse of the child; demonstration of a child (teenager) of genital organs (exhibitionism); demonstration of an act of masturbation; involving a child in child prostitution or child pornography, etc.

Psychological violence is a form of domestic violence that includes verbal abuse, threats, including against third parties, humiliation, persecution, intimidation, other acts aimed at limiting the will of the person, control in the reproductive sphere, if such actions or inactivity were caused to the victim fear of their safety or security of third parties caused emotional insecurity, inability to protect themselves or harm the person's mental health. Psychological violence often causes

³⁵⁹ Humennykova T. R., Metil A. S. (2018) Kharakterystyka domashnoho nasylstva: vidpovidalnist i naslidky, p. 13.

depression, nerve disorder, exacerbation of chronic diseases, and even leads to suicide. Psychological violence in the family accompanies all other forms of violence.

Economic violence is a form of domestic violence that involves deliberate deprivation of housing, food, clothing, other property, funds or documents, or the ability to use them, abandonment without care or care, obstruction in obtaining the necessary services for treatment or rehabilitation, forbidding working, forcing to labor, the prohibition on studying and other offenses of an economic nature³⁶⁰. One of the most common manifestations of economic violence in Ukraine is expulsion from the home (apartment), which in most cases applies to women and children. It should be noted that the commission of any kind of domestic violence leads to rather specific and unpredictable consequences:

- To seek approval of their actions by other people, a person who has been subjected to domestic violence;

- Feeling of insult (as a result of the domestic pressure, the person feels the image of both the offender and himself, but in the future, the feeling of insult grows up and manifests itself in the form of anger and feelings of guilt);

- Undervalued self-esteem, underestimation of their capabilities. The violator instills and supports the woman in her conviction that she is incompetent and responsible for the violence committed against her;

- Dependence. A woman has no desire to leave the aggressor, and even sometimes, in our opinion, reveals in this sense masochistic tendencies. She often defines her personality through relationships with others – mainly through relationships with her partner;

- Lack of communicative skills. Women who are subjected to domestic violence in their personal relationships do not have the skills of productive relationships. Hence the inability to control their anger, misunderstanding their needs and ways to meet them, ignorance of how to resolve conflicts are arising. These women are deprived of a clear sense of their psychological, physical boundaries. They either start to trust people too quickly or do not trust at all;

- Isolation. A victim is often isolated in the sense that a person exercises strict control over her social contacts. Being isolated from society and having no new information about the world around us, a woman becomes dependent. After beating, she continues to isolate herself emotionally and (or) physically, because she feels shame and fear;

- Helplessness. This can lead to the aggressor's dominance, his active control and the desire to control the victim, isolation from the outside world. The feeling of helplessness is most often so strong that a woman is unable to make decisions, take care of herself and build her plans for the future. All this, as a rule, leads to depression and suicidal mood. The victim does not expect to help herself, but retains the hope that a partner will change;

- Active use of psychological protective mechanisms (such as rationalization and negation). A woman who has suffered domestic violence even in the past is psychologically hard; it's ashamed to acknowledge the truth. In some situations, the mechanism of psychological protection helps the victim to survive violence. However, later there is a desire to diminish or deny the facts of the use of violence. The fact of the rejection of violence occurs unconsciously, but the process of exclusion itself is accompanied by the destruction of mental and physical health, as well as the weak differentiation of their feelings and often a complete lack of rational reflection;

- Increased anxiety that is observed in many victims of domestic abuse. Anxiety among victims of ill-treatment is as follows: hyperactivity in relation to the supposed danger; increased need for control; incorrect interpretation of objectively neutral or positive interpersonal stimuli as threatening or dangerous; somatic symptomatology;

³⁶⁰ Chayka V. V. Sotsialna obumovlenist kryminalizatsiyi nasylstva v rodyini, p. 106.

- Leading one of the family members who is regularly subjected to violence from the offender, to depression and psychological disorders (syndrome of trained helplessness, Stockholm syndrome, Diogen syndrome and post-traumatic stress disorder). In the affected people, a tendency to disorders of eating behavior, alcoholism, drug addiction, vagrancy, and pathological accumulation may increase;
 - Suicide execution as a result of prolonged domestic violence;
 - Loss of human lives (murder, death due to injuries).
 - Invalidation, chronic diseases due to injuries and psychosomatically acute diseases;
 - Inter-generational reproduction of violence. Children and adolescents who witnessed domestic violence adopt the gender model of violent behavior and reproduce it in the next generation;
 - HIV / AIDS. WHO has ruled that women in abusing relations are significantly more at risk of getting HIV / AIDS. In such relationships, it is more difficult for women to negotiate or require safe sex with their partners, they are more often forced into sex, it is harder for them to ask for proper diagnosis when they suspect that they are infected with HIV;
 - Vicious (secondary) injuries. Persons who are emotionally involved in communication with the immediate participants in conflicts – friends, relatives, neighbors, colleagues, social workers and employees, medical staff, law enforcers, lawyers, judges;
 - Public rehabilitation costs for injured, judicial system, investigative measures, treatment of disabled people.

Violence is a phenomenon that is scary in nature, and therefore it is not surprising that victims of domestic violence are inclined to feel a sense of anxiety and fear even after a long time after its termination. Violence as an action represents a real physical threat, causing a natural fear for their lives³⁶¹. The common thing for abusers is that they witnessed child abuse, in other words, they were involved in inter-generational cycles of domestic violence. This does not mean that all children who see violence will become abusers. Understanding and destroying patterns of inter-generational violence can give more to its elimination than other approaches to violence management.

The more children are physically punished, the more likely they will be violent in their adulthood with their relatives. Numerous studies have shown that physical punishment is associated with "higher levels of aggression between parents, siblings, peers and spouses," even when caused by other factors. While these data do not corroborate causal relationships, numerous longitudinal studies have shown that the experience of physical punishment has a direct causal effect on further aggressive behavior. So, physical punishment of children (such as carving, slapping or beating on the buttocks) is a predictor of the underperformance of such values as empathy, altruism, resistance to temptations, and more antisocial behavior, including violence while dating.

In patrilineal societies around the world, the young bride moves to her husband's family. As a new woman in the home, she gets the lowest or one of the lowest positions in the family and often acts as a subject of violence and abuse, and is also particularly strongly controlled by her husband's parents: with the arrival of the daughter-in-law, the status of in-law is rising and now (often the first time in life) she has significant power over someone, and "this family system itself begins to produce inter-generational violence, where in the past the injured daughter became a forcibly forced mother-in-law". Thus, the patriarchal social systems in which the wife is perceived as the property of her husband encourage the oppression of women one after another.

Women, for a long time, are in a situation of domestic violence (especially if they were subjected to violence in themselves and in their parents' families, as children, when violence was

³⁶¹ Kosenko S. S. *Nasylystvo v sim'yi, yoho vydy ta motyvy*, p. 167.

one of the factors of personality formation), acquire a number of specific features of character and personality features that make them emotionally dependent on the offenders. They are more often involved in the "game" with the very aggressor that is stereotypically repeated, based on the so-called dramatic triangle S. Karpman, or the "triangle of power." Researchers of this problem converge in the fact that for women victims of domestic violence characterized by a passive-contemplative position, a sense of fear, anxiety, patience, complacency, rigidity of attitudes. Traces a low self-esteem, self-doubt, and dependence on a man, imbalance, which can be seen in increased emotional, vulnerability or inadequate reactions, aggressiveness. Prolonged negative impact leads to constant deprivation of violence the victim – the situation is perceived as "normal". A person who is in a situation of psychological violence, loses confidence in himself (doubts arise about his own psychological integrity), passivity, fear, depression, self-esteem change.

The ambivalence characterizes the sensory sphere of a person. It shows itself in the contradiction of emotional attitudes toward a particular object. It can be persistent feelings for family members, along with opposite modalities to situational emotions (for example, love and respect - and at the same time insult or disdain – and also pity). The ambivalence of feelings can be manifested as inconsistency, contradictory behavior of a person, doubts in the situation of choice. It is assumed that the inconsistency of behavior is a factor provoking violence against such women. Regarding the breach of sex-role identification as a factor in domestic violence against women, it can be assumed that women whose behavior is contrary to generally accepted norms, the perceptions of the behavior of their spouses, mothers, are more likely to suffer from family violence than those who behave in accordance with these notions. A person who is subjected to systematic violence develops a model of life style of a victim, the state of a certain readiness to realize this model in the future. Features of such a model: changing the image of one own self, blaming oneself for what is happening, devaluation of oneself, again the feeling of fear and helplessness as the dominant emotions in the emotional sphere, deprivation of basic needs, that is, dissatisfaction with the needs of love, acceptance, understanding, emotional syndrome dependence, fear of losing attachment, uncertainty for oneself and others, denial of their own needs, devaluation of their own feelings, impaired ability to enjoy life, to establish close emotional contacts, etc.³⁶²

G. Yu. Mustafayev also notes that women victims of domestic violence have a low level of self-awareness: they are poorly aware of themselves as human beings, lost their own self, are not oriented to their needs and desires, have a pronounced masochistic component, which is obviously based on a negative experience of own childhood. In fact, constant violence leads to personal change.³⁶³

Prohibitions are accompanied by supervision over their execution. To ensure that the victim adheres to the rules laid down for her, certain manipulations, blackmail, and threats are applied. A person who seeks to dominate will do everything to undermine the self-esteem and confidence of the victim in their own right, to deprive her of the grounds for opposition. Usually a partner or affiliate uses authority, and therefore his / her opinion is perceived faithfully. In this way, the victim is infantilized, returning to the "stage of the mirror" (by Lacan). The "I" of the victim is reconstructed through reprobate, condemnation, ridicule in the mirror, which becomes a partner / partner for her. The real "I" is replaced by the new "I" victim.

An abuser can be any person, regardless of gender. However, women are more likely to suffer from domestic violence than men. Such indicators are quite natural, since a man has more ways to influence a woman according to his "traditional" gender roles and physical abilities. For a

³⁶² Kocherhina I. *Psykhologichne nasylstvo nad zhinkoyu: prychny i naslidky*, p. 75.

³⁶³ Mustafayev H. Yu. *Sotsialno-psykhologichna kharakterystyka osib, yaki zaznayut nasylstva v simyi*.

man, violence can perform various functions, among the main ones – maintaining his image as "dominant" and asserting his own masculinity. A man often acts as an aggressor, irritated, screams, because usually the boys are taught to react so much since childhood. The same behavior of girls, on the contrary, is very disapproving – they are accustomed to peacefulness, wisdom, understanding, and acceptance. Aggression can be a lonely way out for emotions, because "the real man" has no right to express his feelings in the least, or at all to have their mother. In modern literature, a lot of attention is paid to the concept of "emotional work" - the ability to recognize, take into account, coordinate their own emotions and emotions of other people, and this is usually "feminine case".

An infantile egocentric man can be violent in a situation where his needs are not unconditionally and not always satisfied. The woman, in turn, is raised mainly as a victim who should have "female wisdom", accept, calm ("woman is responsible for peace in the family"); as an addition-helper of a man; as guardian of the interests of family members. An important role is played by the fact that a woman, not "realized" in a family, perceives society as inferior; personal achievements of women are considered unnecessary, are depreciated. The lack of self-identity often pushes a woman not only to be a victim but also to be an aggressor. This can be manifested in claims to a man due to his failure (which in fact is a claim to himself), hyperopia, implementation through a child, the imposition of a younger generation of scripts of personal life, etc.

References:

1. Chayka V. V. (2018) Sotsialna obumovlenist kryminalizatsiyi nasylstva v rodyni [Social disasters of criminalization of violence in the family]. *Young Scientist*, No. 4 (56), pp. 104-107.
2. Council of Europe Convention on the Prevention and Combating of Violence against Women and Domestic Violence. Retrieved from: <https://rm.coe.int/168008482e> (accessed 23. 07. 2019).
3. Humennykova T. R., Metil A. S. (2018) Kharakterystyka domashnoho nasylstva: vidpovidalnist i naslidky [Characteristics of Domestic Violence: Responsibility and Consequences]. *Scientific Herald of the International Humanitarian University*, vol. 2, no. 35, pp. 12-14.
4. Kocherhina I. (2017) Psykholohichne nasylstvo nad zhinkoyu: prychyny i naslidky [Psychological violence against women: causes and consequences]. *Journal of Lviv University*, Series of psychological science, no. 1, pp. 68-76.
5. Kosenko S. S. (2015) Nasylstvo v simyi, yoho vydy ta motyvy [Violence in the family, its views and motives]. *Economics and Law*, vol. 18, no. 28, pp. 164-167.
6. Mustafayev H. Yu. (2005) Sotsialno-psykholohichna kharakterystyka osib, yaki zaznayut nasylstva v sim"yi [Socio-psychological characteristics of persons who suffer from domestic violence]. Retrieved from: <https://fundacia.org.ua/index.php/stati/58-socialno-psykholohichna-harakteristika-osib-yaki-zaznaly-nasylstva-v-simji> (accessed 23. 07. 2019).
7. United Nations Declaration on the Elimination of Violence Against Women. Retrieved from: <http://www.un-documents.net/a48r104.htm> (accessed 23. 07. 2019).

3.2. Formation of structure of protective clothing assortment and its elements on the basis of transformation principles

Approach to formation of information base of elements of protective clothing on the basis of transformation principles. The use of protective clothing and its elements on the basis of transformation principles allows the worker to independently control the degree of their safety and comfort in accordance with the conditions of operation, which facilitates the performance of production activities. Consideration is given to the transformation of clothing at the level of consumption, which is reduced to modifying the details of the finished product, in which the employee at his own request and depending on the living situation, combines the details.

It should be noted that the fulfillment of the professional and qualification activity of the employees necessitated the creation of effective protective clothing and its elements based on the principles of transformation.

The absence of systematic information on the varieties of elements based on the principles of transformation on different grounds in particular protective clothing makes it impossible to form their information base.

Constructive and technological solutions of protective clothing in the foreseeable conditions of operation should first of all ensure the maximum possible level of protection of the employee and at the same time not restrict freedom of movement.

An unsatisfactory state of information on the varieties of protective clothing items has been analytically investigated and identified, based on the principles of transformation, determining their shapes and sizes, locations, methods of connection with the product, etc.

Known principles of the method of transformation are assigned a code that combines alphabetic and numeric designation: P1 – "separation – attachment" of clothing elements; P2 – "orientation" of the size, volume and shape of the items of clothing; P3 – "folding - unfolding" of elements of clothing; P4 – "disappearance – appearance" of elements of clothing; Q5 – "replacement" of clothing elements; P6 – "attachment" of clothing elements; P7 – "permutation" of elements of clothing; P8 – "regulation" – "fixation" of clothing items; P9 – "stretching – compression" of clothing items.

The need to create a systematic information base on varieties of protective clothing elements based on the principles of transformation on different grounds is obvious.

Therefore, it is advisable to identify, classify elements of clothing on a functional basis, based on the analysis of modern sources and the range of protective clothing, which will further develop an information base and offer new solutions of elements based on the principles of transformation.^{364,365}

We consider it expedient to specify a number of functions with their simultaneous coding: provision of information on the profession, position of the employee, the scope of protective clothing (F1); ensuring the ability to quickly find the worker in conditions of low visibility (smoke, poor lighting, etc.) and good aesthetic perception (F3); ensuring the ability of the materials or parts of the product to withstand the effects of external wear factors (F2); maintenance of extension of service life at the expense of possibility of repair and at the same time expansion of conditions of their use (F8); ensuring the ability of the material or article to maintain a stable size and shape over a predetermined lifetime (F7); providing a comfortable microclimate of the

³⁶⁴ Ostapenko N. V. Development of an approach to the creation of transformable elements of special clothing. Abstracts of Reports of the 21st International Scientific and Practical Conference ["Actual Problems of Fire Safety"], M.: FSU VNIPO EMERCOM of Russia, 2010. – P. 4.

³⁶⁵ Ostapenko N. V. Creation of elements of special thermal protective clothing based on the principle of transformation. Conferința Tehnică Științifică a Colaboratorilor, Doctoranților și Studenților. [2011 a Univ. Techn. a Moldovei], (8-12 December) – Ch.: UTM, 2012, Vol. 3. – 420 p. – P. 224-225.

garment space (F6); ensuring the conformity of the product design to the shape and size of the human body (F5); ensuring restriction of movement of product details (F8); ensuring the convenience of dressing and taking off (F4).

The developed classification will allow to develop a matrix of unified structural elements of protective clothing on the basis of transformation principles and to create an information database of such elements with determination of their sizes, locations, ways of connection with the product.

In order to optimize the process of designing the aforementioned clothing, an approach is proposed to create an information base of elements based on the principles of transformation of protective clothing, the basis of which are the methods of systematization and typing of objects.

The solution of this design problem is to search for new parts (nodes), ie elements (E), by means of combinatorial variation of the initial characteristics, among which are selected: function, principle, detail (Fig. 2).

The combination of such components as "Function – Detail", "Principle – Detail", "Detail – Detail", "Function – Detail – Principle", etc., leads to the creation of new solutions. The latter thesis also concerns the professional skill of the scientist, his ability to reasonably combine the specified output data, taking into account the various shapes and sizes of details; different ways and means of connecting the product; different amounts, different materials, etc.

With regard to the component – "function" an attempt was made to combine the existing elements on the basis of the principles of transformation of protective clothing on a functional basis.

The component "details" includes reinforcing or protective overlays in the shoulder area (D1), elbow pads (D2), knee pads (D3), lei (D4), cushioning, insulation, radiation protection (D5), puffs (D6), wristbands (D7), dustproof, windproof, waterproof valves (D8), clasps (D9), backrests (D10), straps (D11), ties (D12), saws (D13), sleeves (D14), coquets (D15), collars (D16), half pants (D17), cuffs (D18), pockets (D19) and more.

According to the proposed systematization, the coded designation of any element has a clear structure - Phi Pj Dk and combines one or more coded functions of Phi, principles of Pj and one or more details of Dk (Fig. 1).

The proposed approach is aimed at optimizing the process of designing protective clothing with the possibility of forecasting, expanding the range of elements based on the principles of transformation (Fig. 2). The further ordering of such details, units, and parts of clothing will allow us to predict, diversify their range and, as a consequence, to propose new structural and technological solutions depending on the purpose of protective clothing and industry.

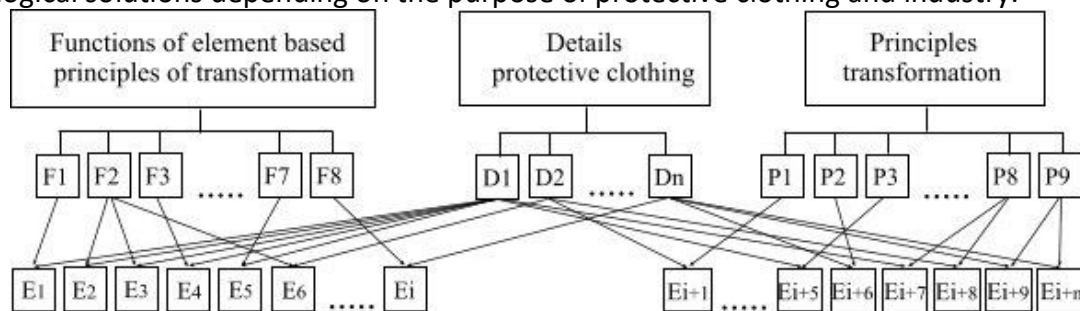


Fig. 1. An approach to creating an information base for designing elements based on the method of transformation of protective clothing

Development of transformer elements of protective clothing on the basis of transformation principles on various grounds. Functional transformation of elements based on providing a comfortable microclimate of the underfloor space. When operating protective clothing, it is

necessary and obligatory to take into account the variable parameters of the environment, the nature of the production activity of the worker, the properties of materials and the ability to regulate directly by the employee normal heat and gas exchange of the organism with the environment. The structural and technological solutions of such "closed" elements involve the use of strips, valves, leaflets of various shapes and sizes, methods and means of connection with products, etc. (Figs. 3-7).³⁶⁶

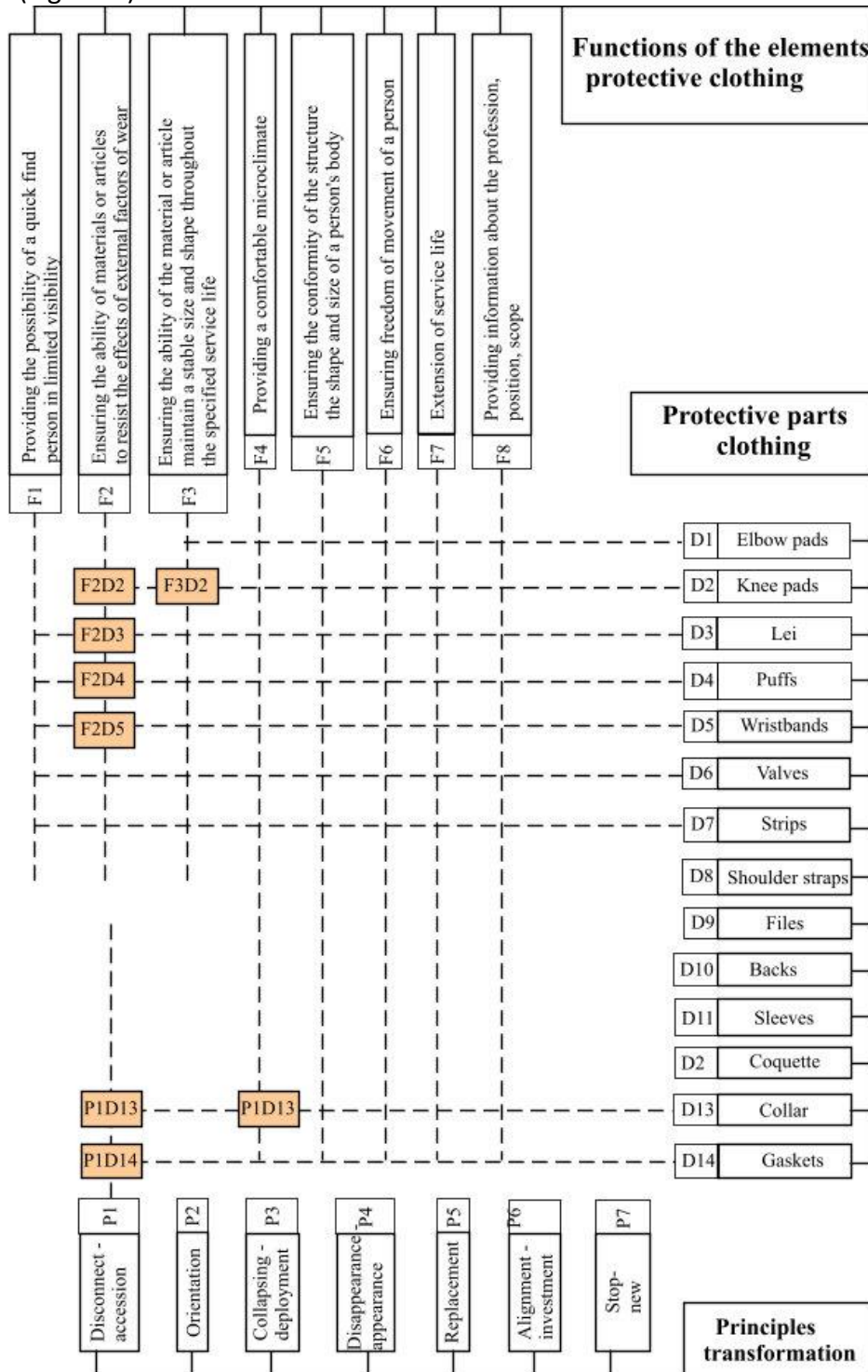


Fig. 2. Approach to designing new elements protective clothing based on the principles of transformation

³⁶⁶ Development of elements of special protective clothing based on the principles of transformation. The theory and practice of design. Technical aesthetics. – 2015. – № 8. – P. 204-216.

In view of the safety of products for life and human health, it is important to hygienically standardize the comfort of being in clothing, especially in protective clothing. It should be noted that the known elements that allow the worker to independently adjust the parameters of the underwire space in clothing with a passive method of protection, are those located in the step and side seams, in the underarms, in the seams of the flirt, on the nails, the back and the like. Creation of ventilation elements of protective clothing on the basis of transformation principles is based on the developed approach (Fig. 1).³⁶⁷

Based on this, elements of protective clothing were proposed and manufactured on the basis of transformation principles based on different functional characteristics.³⁶⁸

Therefore, providing a comfortable microclimate of the underwire space is implemented in clothing with a passive method of protection using the element "ventilation valve", the structural and technological solution of which is shown in Figure 3.

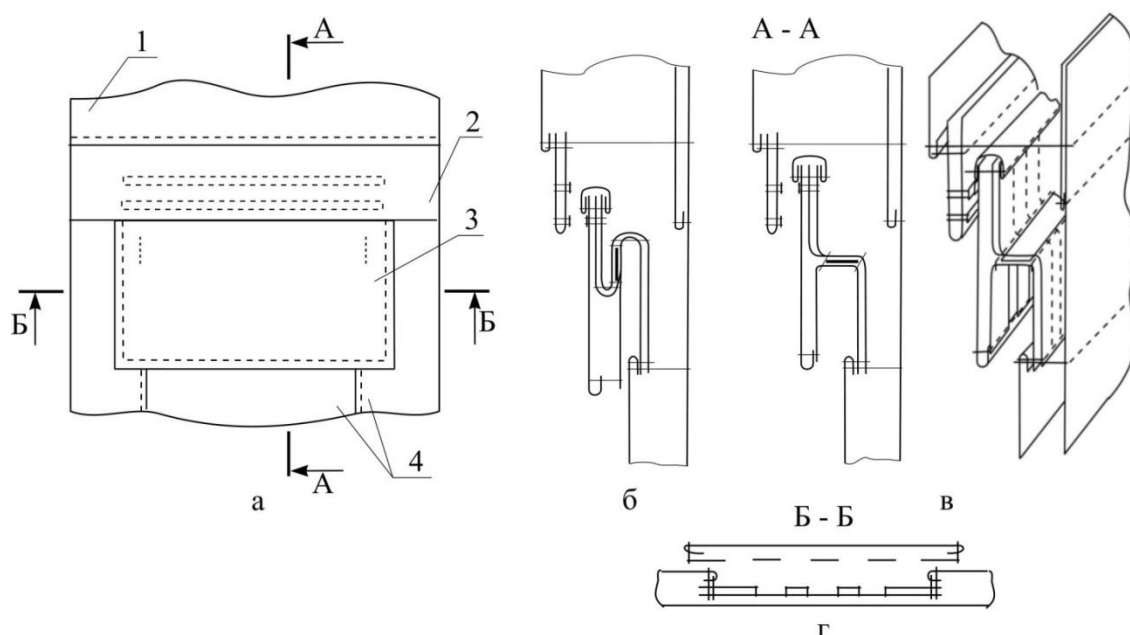


Fig. 3. Design and technological solution of the element of protective clothing "ventilation valve" ($\Phi 4$ П2 Д9 Д10): a – appearance of element "ventilation valve"; b – longitudinal section of the element in closed form; in – longitudinal section of the element in open form; g is a cross-section of an element; 1 – coquette files; 2 – bar; 3 – valve; 4 – a file

An element of protective clothing on the basis of the principles of transformation "ventilation valve" for a certain functional feature of "providing a comfortable microclimate of the underworld" is proposed. The use of ventilation elements in protective clothing (Figs. 3-7) is foreseen in both shoulder and waist products, namely in overalls, jackets, overalls, trousers and the like.

The novelty of the proposed solution is the possibility of opening the ventilation openings due to transformation on the basis of the known principle of "orientation". The vents are covered

³⁶⁷ Ostapenko N. V. Creation of elements of special thermal protective clothing based on the principle of transformation. Conferința Tehnico Științifică a Colaboratorilor, Doctoranților și Studenților. [2011 a Univ. Techn. a Moldovei], (8-12 December) – Ch.: UTM, 2012, Vol. 3. – 420 p. – P. 224-225.

³⁶⁸ Budchenko O. V. Development of elements of special thermal protective clothing on the basis of transformation principle. Abstracts of the reports of the jubilee All-Ukrainian Scientific Conference of Young Scientists and Students ["Scientific Developments of Young People at the Current Stage"], (April 22-23, 2010) / Ministry of Education and Science of Ukraine, KNUTD. – K.: KNUTD, Volume 1, 2010. – P. 73.

by a valve that is fixed in two positions by a textile clasp. It should be noted that the locking of the valve in the open state is due to the presence of additional "stiffening ribs".³⁶⁹

On the basis of this principle of transformation, such elements of protective clothing as the "ventilation pocket" (Fig. 4) and the "ventilation element" (Fig. 5) were also developed and manufactured.

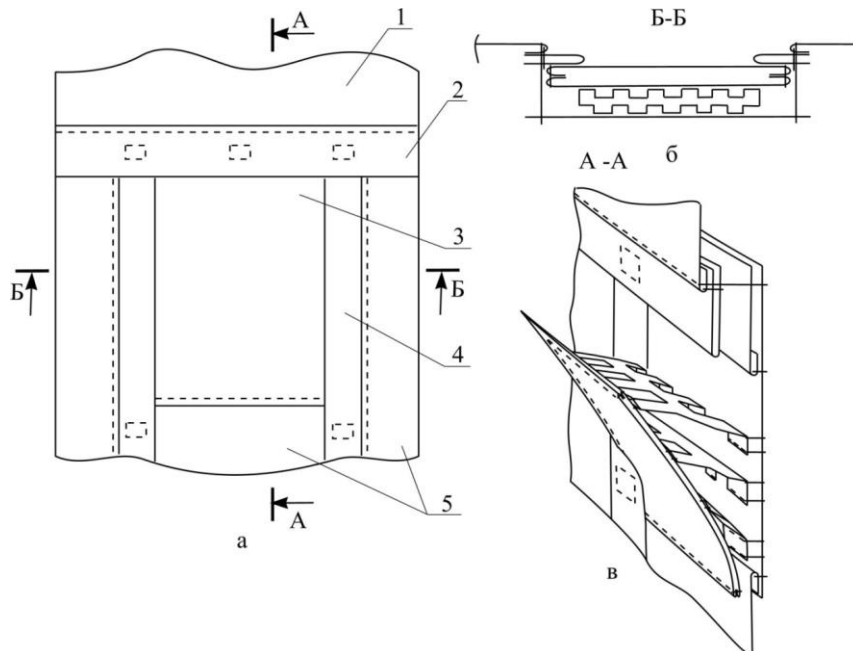


Fig. 4. Design and technological solution of the element of protective clothing "ventilation pocket" ($\Phi 4 \Pi 2 \Delta 9 \Delta 10$): a – appearance of the element "ventilation pocket"; b – cross-section of the element; c – longitudinal section of the element in the open state; 1 – coquette file; 2 – bar; 3 – patch pocket; 4 – bar; 5 – a file

"Ventilation pocket" looks like an overhead pocket. To prevent the harmful factors from entering the pockets on the sides and from above, cover the strips. The principle of action "ventilation pocket" is to open an extra layer of material with cuts. In the process of fixing the pockets in the extreme lower position with the help of a textile fastener, the cuts diverge, forming openings. It should be noted that the extra layer of material in its structure is sufficiently elastic, thus supporting the pocket in a given position.

The "ventilation element" solution is such that its upper and lower layers consist of cells that overlap. When fastening an element with a textile fastener on another level, their alignment occurs and, as a consequence, the microclimate of the underwire space is regulated. To prevent the detention of dangerous harmful factors per element, the upper "ventilation element" is covered with a strip.³⁷⁰

The element of protective clothing "ventilation pocket" shown in Fig. 6, developed on the basis of the principle of transformation "disappearance – appearance".³⁷¹

³⁶⁹ Tesla A. P. Development of elements of special clothing on the basis of the principle of transformation on a functional basis. Abstracts of the 10th All-Ukrainian Scientific Conference of Young Scientists and Students ["Scientific Developments of Young People at the Current Stage"], (April 19 – April 20, 2011) / Ministry of Education and Science of Ukraine, KNUVD. – K.: KNUVD, Volume 1, 2011. – P. 76.

³⁷⁰ Analysis of the composition and design of clothing for railway conductors of Ukraine. Theory and practice of design. Technical aesthetics. – 2015. – № 8. – P. 233-243.

³⁷¹ Development of ergonomic and aesthetic protective clothing for civil aviation workers. Theory and practice of design. Technical aesthetics. – 2015. – № 8. – P. 250-256.

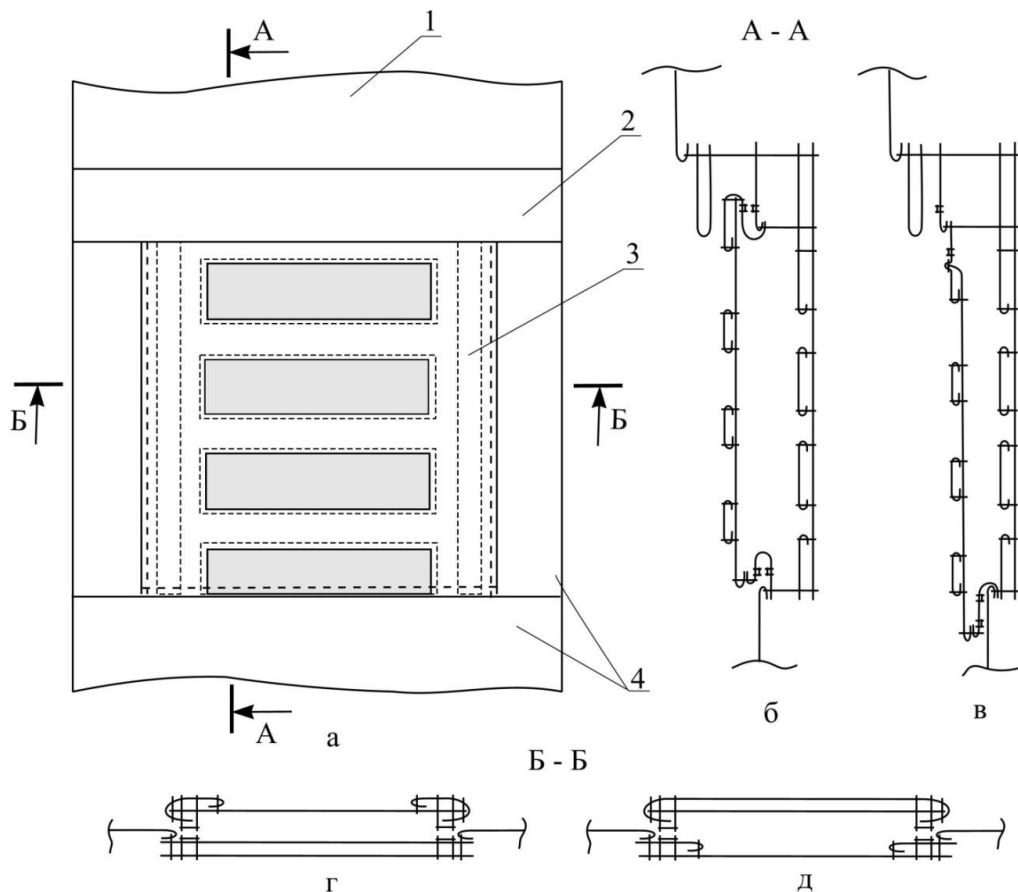


Fig. 5. Design and technological solution of "ventilation element" (Ф4 П2 Д9 Д10): a – appearance of "ventilation element"; б – longitudinal section of the element in the closed state; в – longitudinal section of the element in the open state; г – cross-section of the element in the closed state; д – cross-section of the element in the open state; 1 – coquette files; 2 – bar; 3 – ventilation element; 4 – a file

The novelty of this element is that the microclimate is controlled by opening or closing the ventilation grid. The ventilation grid is inside the pocket, which is sealed on all sides by a zipper.

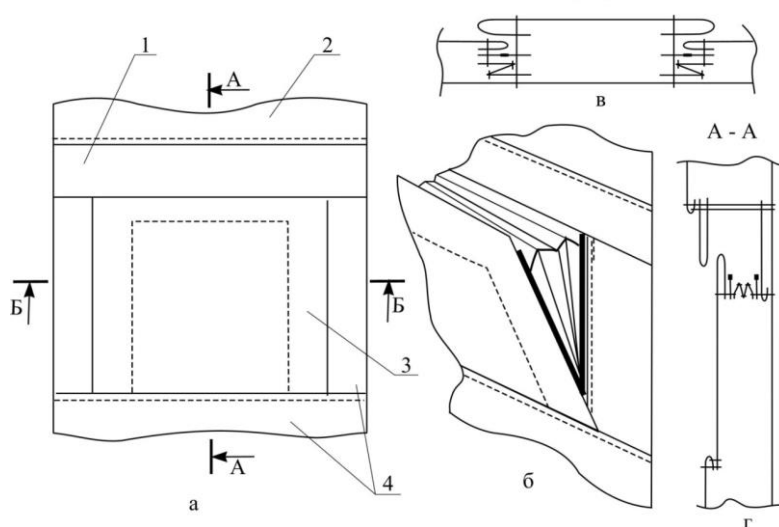
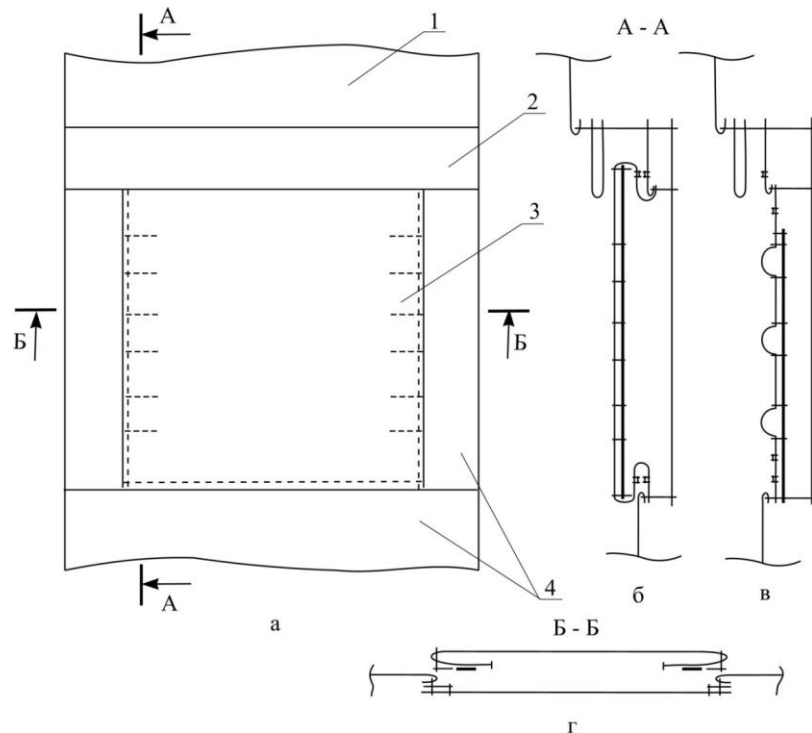


Fig. 6. Design and technological solution of the element "ventilation pocket" (F4 P2 D9 D10): а – appearance in the closed state; б – appearance in the open state; в – cross-section of the element; г – longitudinal section of the element; 1 – bar; 2 – coquette files; 3 – pocket; 4 – a file

The "ventilation element" of protective clothing was developed and manufactured on the basis of the principle of transformation "stretching – compression", structural and technological solution of which is shown in Figure 7.

Transformation is carried out when the elastic band is weakened, which runs along the element and is adjusted to it at a certain interval. In such a lattice position, in unfixed places, the element forms outlets which serve as ventilation openings. Note that the element is additionally fixed at the edges with a textile clasp.

On the basis of the developed approach of creation of elements of protective clothing on the principle of transformation, structural and technological solutions of the elements were developed with the purpose of their perspective for further practical application.



*Fig. 7. Design and technological solution of the "ventilation element" ($\Phi 5 \text{ ПЗ } \text{Д}9 \text{ Д}10$):
a – appearance; *b* – longitudinal section of the element in the closed state; *d* – longitudinal section of the element in the open state; *g* is a cross-section of an element;
 1 – coquette files; 2 – bar; 3 – "ventilation element"; 4 – a file*

Elements of protective clothing "ventilation pocket" based on the principles of transformation "replacement", "disappearance – appearance", "stretching – compression" to provide a comfortable microclimate of the underfloor space were designed and manufactured.

The use of developed ventilation elements in protective clothing is appropriate due to the regulation of the thermal state of the body of the employee during physical activity and the removal of products of gas exchange of the body through the skin.³⁷²

The urgency of further design, manufacture and implementation of elements based on the principles of transformation into protective products with the purpose of creating ergonomic modern clothes.

³⁷² Slavinskaya A. L. Building a pattern of clothing details of different assortment: textbook. tool. – Khmel'nitsky: TUP, 2002 – 142 p.

Functional development of elements based on the principle of transformation - prolongation of life. Extending the life of protective clothing is carried out by replacing the removable parts, which also allows to extend the conditions of their use and the product as a whole.

The development of such elements is based on the study and analysis of the topography of the influence of dangerous and harmful factors of the production environment.³⁷³

Known are the principles of transformation, by which transform transformation is due to combinatorial variation. Transformation-based item coding uses the "transformation-based approach to creating clothing elements", which is discussed in the first section.

The element "pocket – removable pocket" (F7 P1 D15) was developed and manufactured on the basis of the principle of transformation "disappearance – appearance", the structural and technological solution of which is shown in Figure 8. The front half of the trousers has a slit pocket with a leaf, which is closed by a valve . The snap pocket is secured with textile clasps and clamps that are affixed to the product.

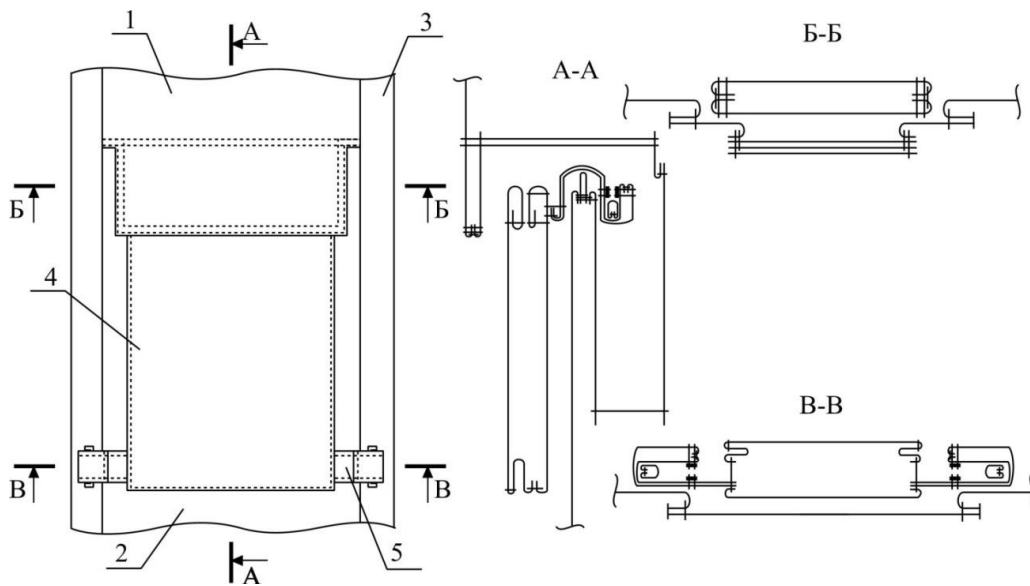


Fig. 8. Design and technological solution of the element "pocket - removable pocket" (Ф7 П1 Д15 Д15): 1 – the upper part of the front half of the trousers is solid with a valve; 2 – the lower part of the front half of the trousers; 3 – back half of trousers; 4 – removable pocket; 5 – a strip with a textile fastener

The principle of transformation "separation – joining" is based on the fact that the basic elements of clothing are attached structural and decorative elements. According to this principle, an element "removable pocket" (F7 P1 D15) is designed and manufactured, the structural and technological solution of which is shown in Figure 9. "Removable pocket" consists of a briefcase-pocket and a patch pocket and attaches to the protective clothing parts for with a textile fastener.

Another example of a developed element for the purpose of prolonging the lifetime for protection against scratches, cuts, punctures, as well as for the use of a cushioning gasket is a structural and technological solution "kneecap - pocket" (F7 P9 D2 D15), the novelty of which is the possibility of transformation by principles "Compartment – attachment" and "disappearance - appearance" of a pocket or a knee pouch with a pocket for laying. The structural and technological

³⁷³S talemate.102950 Ukraine, IPC A 41D 13/00. Overalls for the military / Avramenko T. V., Ostapenko N. V., Stelmakh M. D., Zavadsky S. L., Kolosnichenko M. V., Vasilyeva I. V., Alexandrov M.E.; applicant and patent holder Kyiv National University of Technology and Design. – No. u201505300, Appl. 29. 05. 2015; publ. 25/11/2015, Bul. № 22.

solution of the element on the basis of the principle of transformation "knee-pocket" is shown in Figure 10.

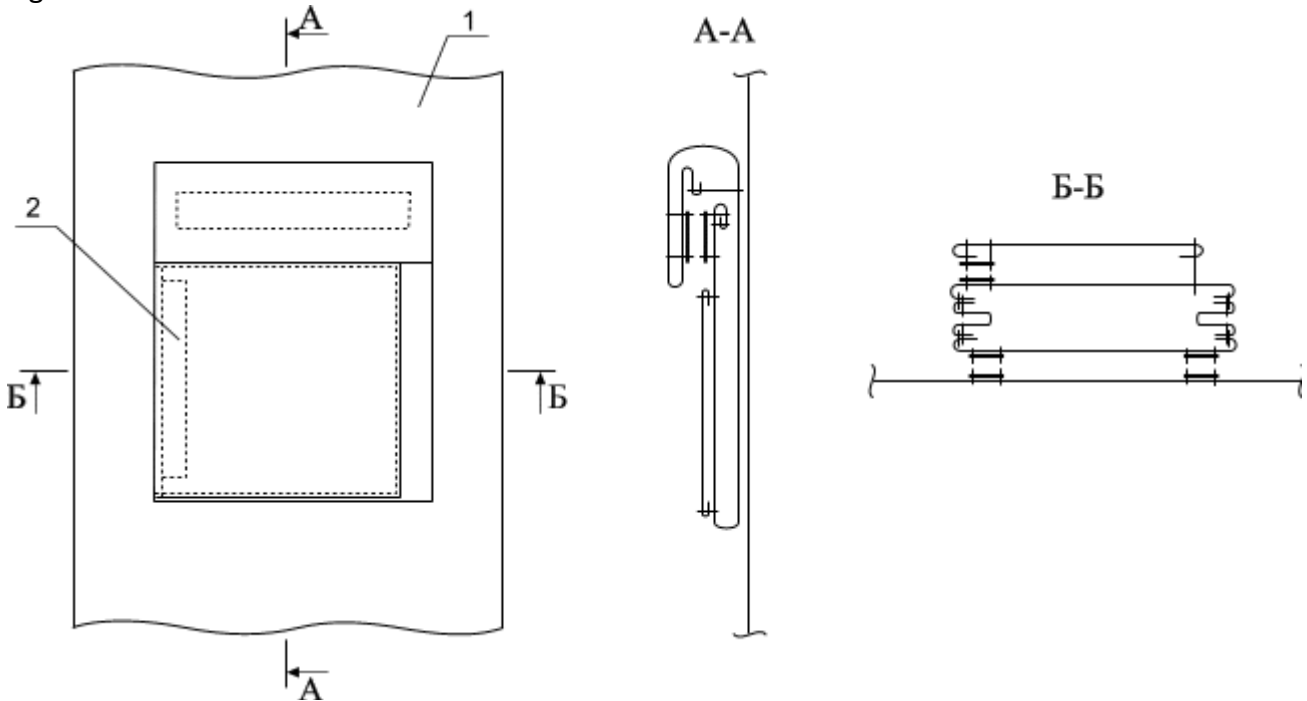


Fig. 9. Structural and technological solution of the element "removable pocket" ($\Phi 7$ П1 Д15):
1 – the main detail; 2 – removable pocket

"Knee-pocket" consists of one movable knee pads that can be transformed into a pocket for small items or into a knee pads with a pocket for cushioning pad and two collar pockets. In both positions, the kneecap is fixed with textile fasteners that are closed by valves.

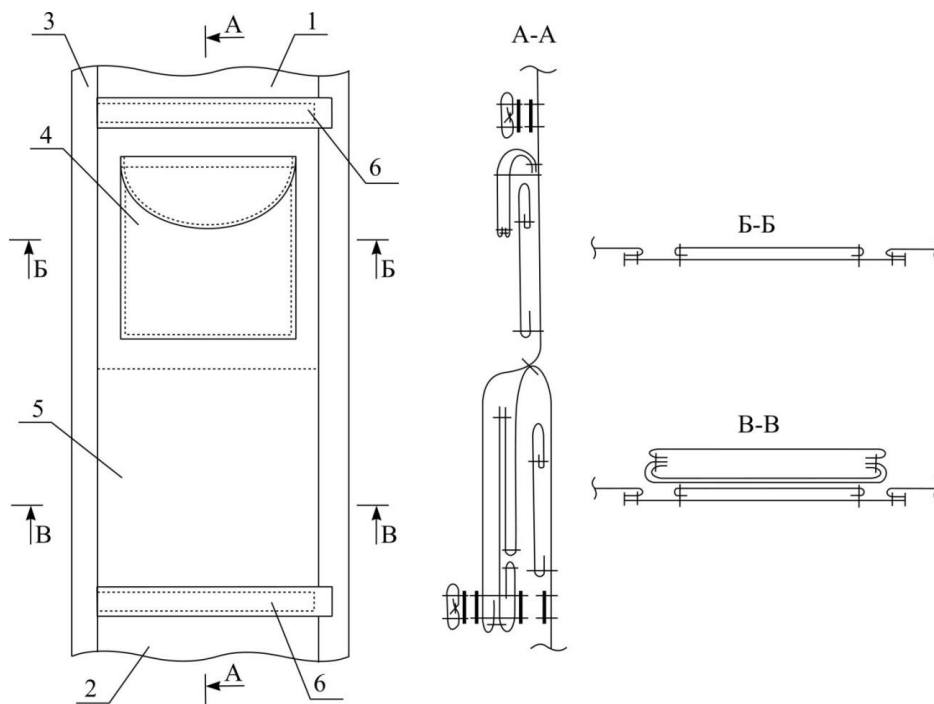


Fig. 10. Structural and technological solution of the element "knee - pocket" (F7 P9 D2 D15):
1 – the upper part of the front half of the trousers; 2 – the lower part of the front half of the trousers; 3 – back half of trousers; 4 – patch pocket with valve;
5 – fly knee pad-pocket; 6 – valve with textile clasp

It consists of a patch pocket with a valve in the upper part of the front half of the trousers, a patch pocket in the lower part of the front half of the pants, and a flywheel with a pocket. The novelty of the proposed structural and technological solution of the element on the basis of the principle of transformation "knee-pocket" is the possibility of transformation on the principle of "regulation-fixation" of the pocket into "knee-pocket" for the insertion of the cushioning pad. In both positions, the knee pads are secured with textile fasteners that are closed by valves.³⁷⁴

There are other elements that can be exemplified by this transformation. For example, "arm-pocket" or "back-pocket".

An element based on the "pocket pocket - knee" transformation principle (F7 P1 P4 D2 D15 D15) was also designed and manufactured, the structural and technological solution of which is shown in Figure 11.

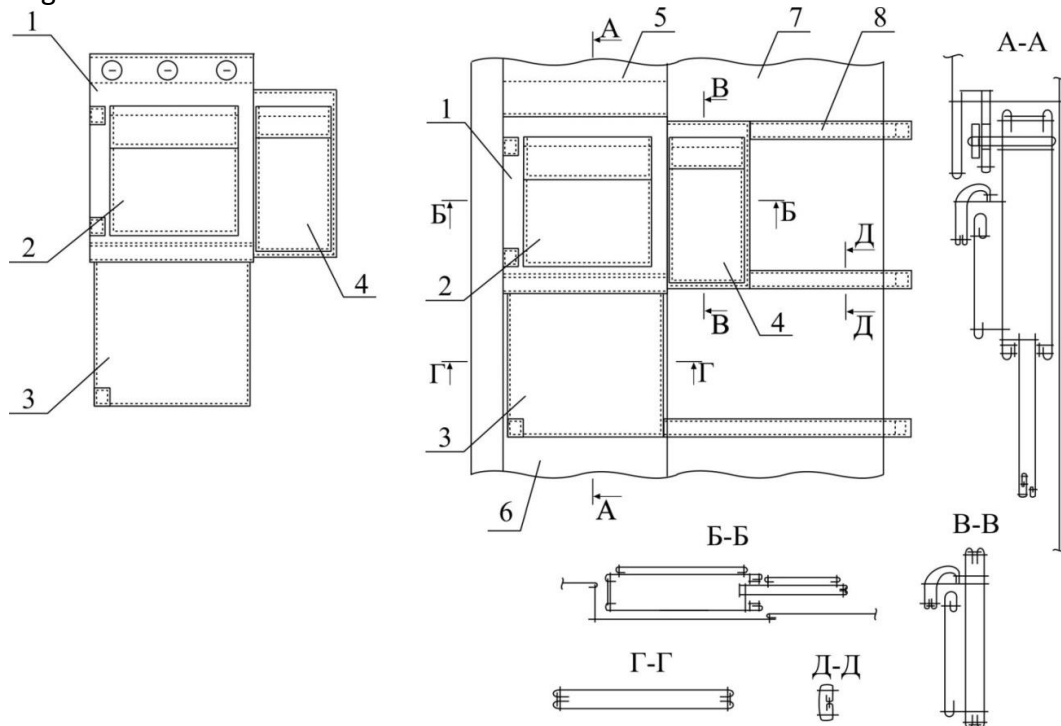


Fig. 11. Design and technological solution of the element "removable pocket – knee pads" (Ф7 П1 П4 Д2 Д15): 1 – removable pocket; 2 – patch pocket; 3 – knee; 4 – side pocket; 5 is the upper part of the front half of the trousers; 6 – the lower part of the front half of the trousers; 7 – back half of trousers; 8 – stripes with a textile fastener

The zipper pocket attaches to the front half of the trousers with the buttons located on the zipper pocket and the loops located on the front half of the trousers. The hinges are closed with a valve that prevents water from entering the dressing area and engaging it with surrounding objects. The striking details of the element are the knee pads attached to the bottom of the removable pocket and the side pocket located on the side of the pants. If necessary, the employee can use the pocket and knee pads together or separately. These parts are secured to the garment by means of stripes with a textile fastener. In Fig. 12 gives the appearance of an element based on the principle of "pocket pocket – kneepad" transformation.

It can be seen from the figure that the front half of the trousers contains an all-round valve with concealed loops. If necessary, you can attach the extra detachable pocket to the product with buttons and a textile clasp. Thus, by combining a simple product with a new functional element, we get a new structural and technological solution of the product.

³⁷⁴ Stalemate.102935 Ukraine, IPC A41D 13/00. Thermal protective overalls. applicant and patent holder Kyiv National University of Technology and Design. – No. u201505151, Appl. 26. 05. 2015; publ. 25/11/2015, Bul. № 22.

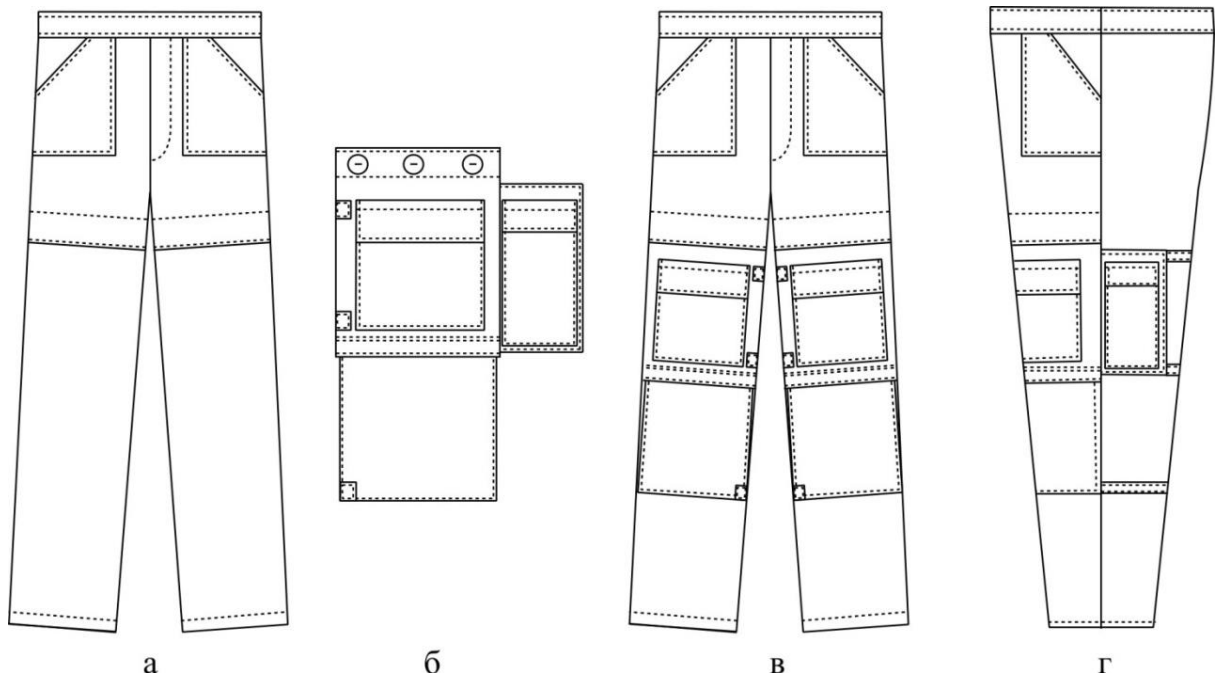


Fig. 12. The appearance of the "removable pocket – knee pads" element ($\Phi 7 \Pi 1 \Pi 4 \Delta 2 \Delta 15 \Delta 15$):
 a – front pants view; б – the appearance of the element on the basis of the principle of "pocket – knee"; в – the appearance of trousers with an element based on the principle of transformation "removable pocket – knee pads" in the front; д – the appearance of trousers with an element based on the principle of transformation "pocket – knee" on the side

Figure 13 shows the structural and technological solution of the element on the basis of the principle of transformation "pocket – knee" (F7 P4 D2 D15). It consists of a pocket, a side sill pocket, and a sill. The cast parts are secured to the garment by means of stripes with a textile fastener.

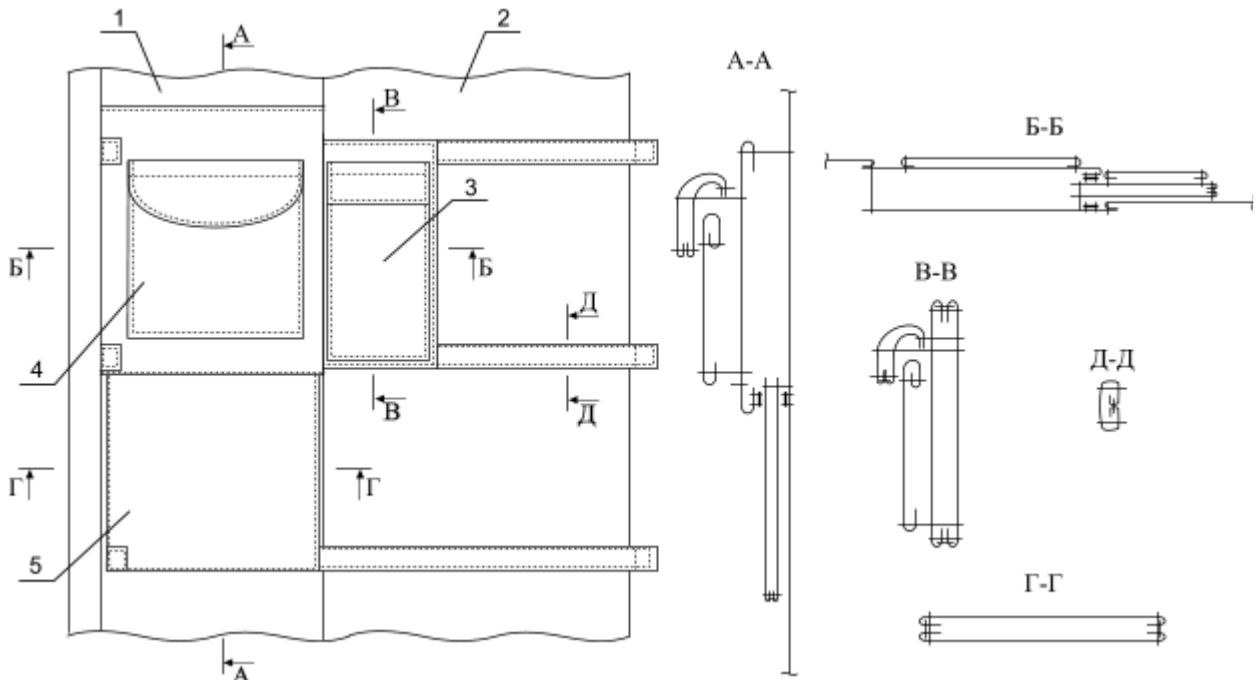


Fig. 13. Design and technological solution of the element "pocket – knee pads" (F7 P4 D2 D15):
 1 – front half of pants; 2 – back half of trousers;
 3 – side pocket; 4 – pocket; 5 – kneecap

The appearance of the element on the basis of the principle of transformation "pocket-knee" is shown in Figure 14. Its use implies the presence of textile fasteners on the product. It should be noted that this element has an additional side pocket with a valve. Similarly, you can make the element "pocket – armrest".³⁷⁵

The elements discussed above are based on the principle of "disappearing pocket" and "pocket knee" and are based on the principle of "extinction – appearance". This principle determines the change of an element by reducing it. An example is a hood that fits in the collar pocket. According to this principle, the element "valve – pocket" (F7 P4 D15 D6) was designed and manufactured.

If necessary, the fly pocket is straightened and fixed with clamps that are adjusted together with the overhead pocket.

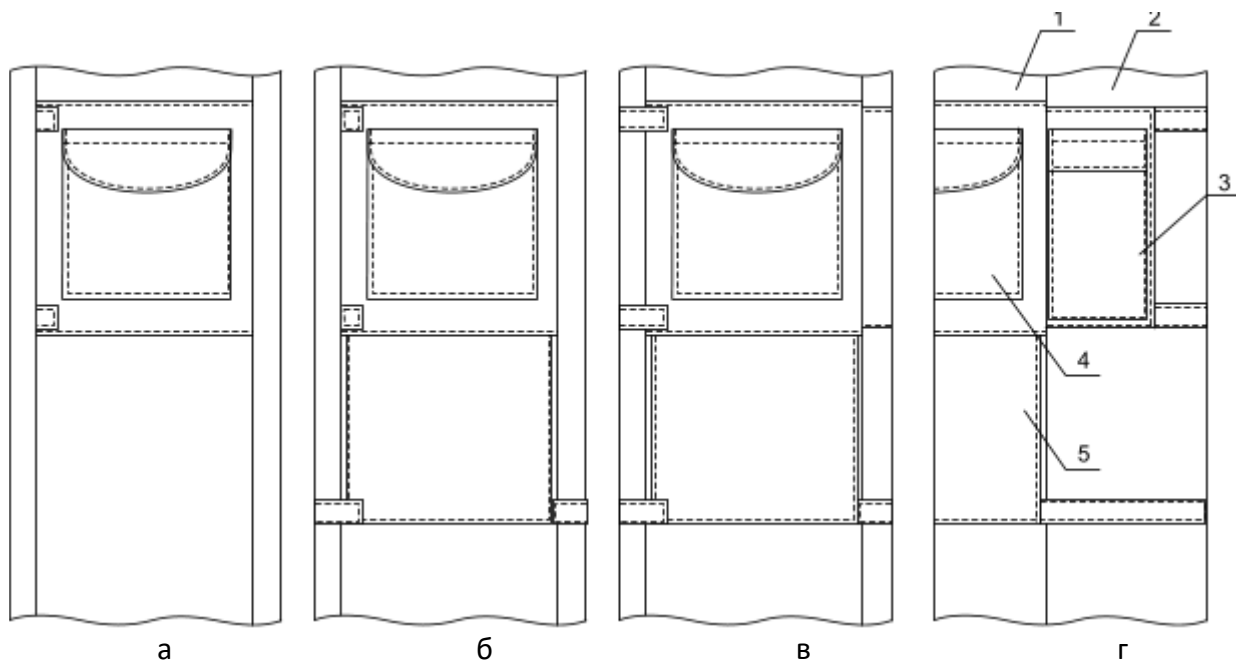


Fig. 14. The appearance of the "pocket-knee" element (F7 P4 D2 D15):

*a – front pocket view; b – front view of pocket and knee pads; in – view of pocket, knee pad and side pocket in front; d – view of the pocket, knee pads and side pockets from the side:
1 – front half of the pants; 2 – back half of trousers; 3 – side pocket; 4 – pocket; 5 – kneecap*

The knee patch is sewn on the inside of the trousers and the insertion of the shock absorber pad occurs through a slit pocket that is placed inside the patch pocket.

A removable pocket-to-pocket element has been developed, containing two one-on-one valves with one another. The removable element is secured to the product by means of textile fasteners that are tucked into the front half of the trousers and closed with a full-length valve. This principle can be used to make any overhead elements, which will be attached in any place and used when necessary (for example, when performing certain works that are not part of the basic duties of the employee and are performed at a certain frequency).³⁷⁶

³⁷⁵ Tretyakov L. D. Personal protective equipment for self-rescue during a fire. Materials of the XIV International Scientific Method. conf., ["Safety of life and human activity – education, science, practice"], (Kharkiv, May 21 – May 22, 2015) / inst. technol. and education content, Deporte. civilians. of protection, Kharkov. nat. un-t the city. master in it. O. M. Beketova and others. – Kharkiv: KhNUMG them. O. M. Beketova, 2015. – P. 81-83.

³⁷⁶ Rubanka A. I. Features of the design solution of ergonomic clothing for emergency. ["Scientific developments of young people at the present stage"], abstracts of the XIV All-Ukrainian Scientific Conference of Young Scientists and Students, April 23-24, 2015. – K.: KNUTD, 2015. – Vol.1. – P. 36.

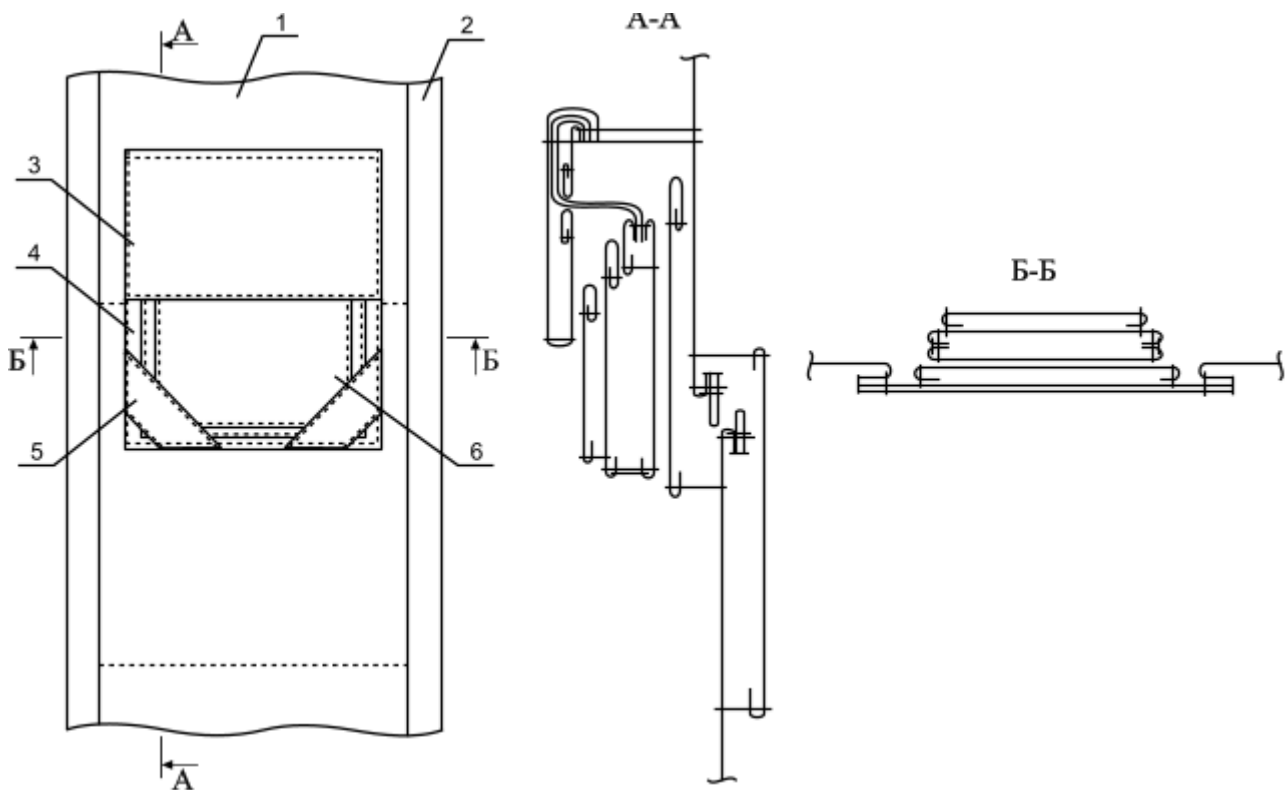


Fig. 15. Design and technological solution of the element "valve - pocket" (F7 P4 D15 D6):
 1 – front half of trousers; 2 – back half of trousers; 3 – valve with a fly pocket;
 4 – patch pocket; 5 – clamps; 6 – fly pocket

An example of using the "pocket pocket - pocket" element is shown in Fig. 17. Extra functionality is obtained by adding an item with a "pocket pocket".

An example of using a "pocket pocket" is shown in Figure 19. As can be seen from the figure, the pocket can be placed at different heights of the front half pants.

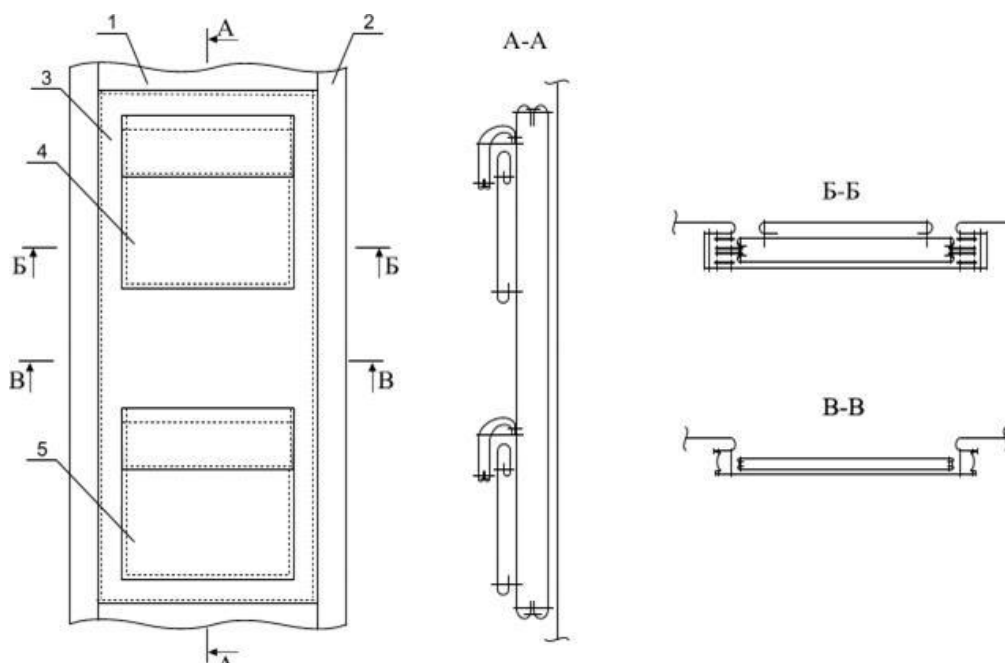


Fig. 16. Design and technological solution of the element "removable pocket – pocket" (Ф7 П1 Д15 Д15): 1 – front half of trousers; 2 – back half of trousers; 3 – removable pocket – pocket;
 4 – upper patch pocket with valve; 5 – lower patch pocket with valve

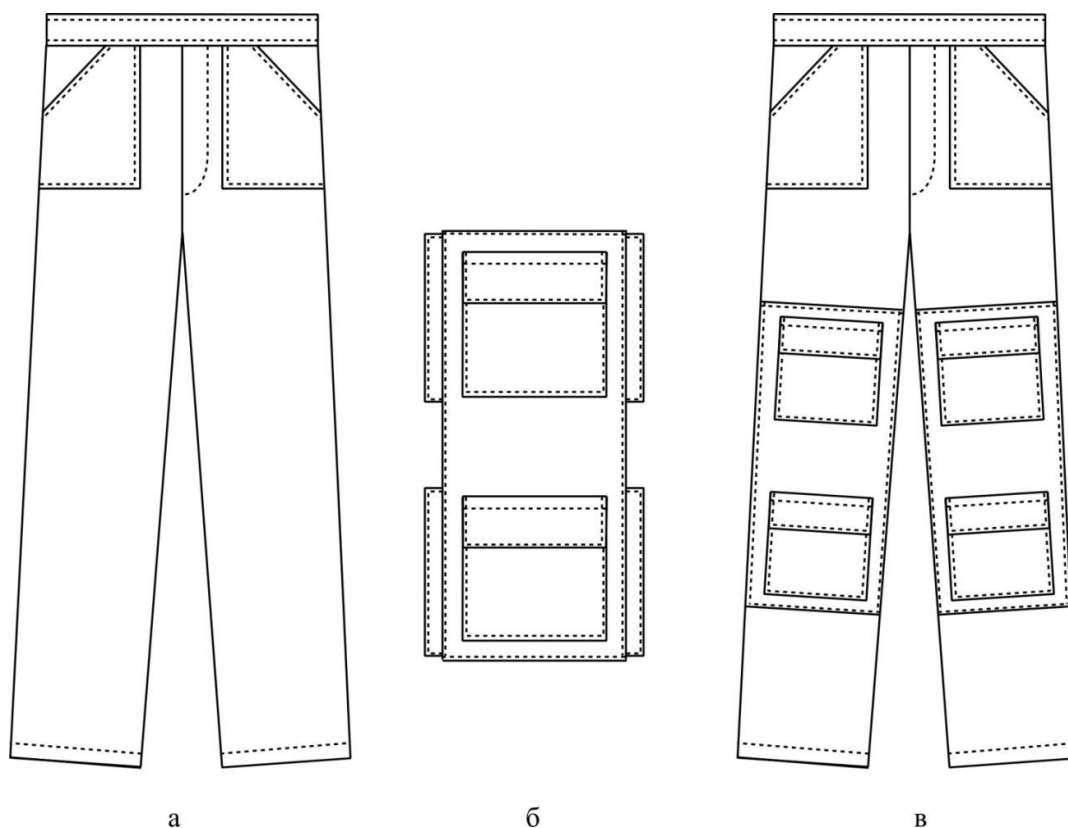


Fig. 17. Appearance of the "pocket pocket – pocket" element ($\Phi 7 \Pi 1 \Delta 15 \Delta 15$):
 a – front view of trousers; б – the appearance of the element based on the principle of transformation "pocket pocket – pocket"; in – the appearance of trousers with an element based on the principle of transformation "pocket-pocket" in front

In some operating conditions, there is a need to use additional overhead elements. These can be knee pads, elbow pads, etc. These elements can be used to extend the service life by providing additional protection against punctures, cuts and abrasion on the plane, and to ensure ergonomics by using removable knee pads and elbow pads with the possibility of inserting additional inserts (such as shock absorbers).

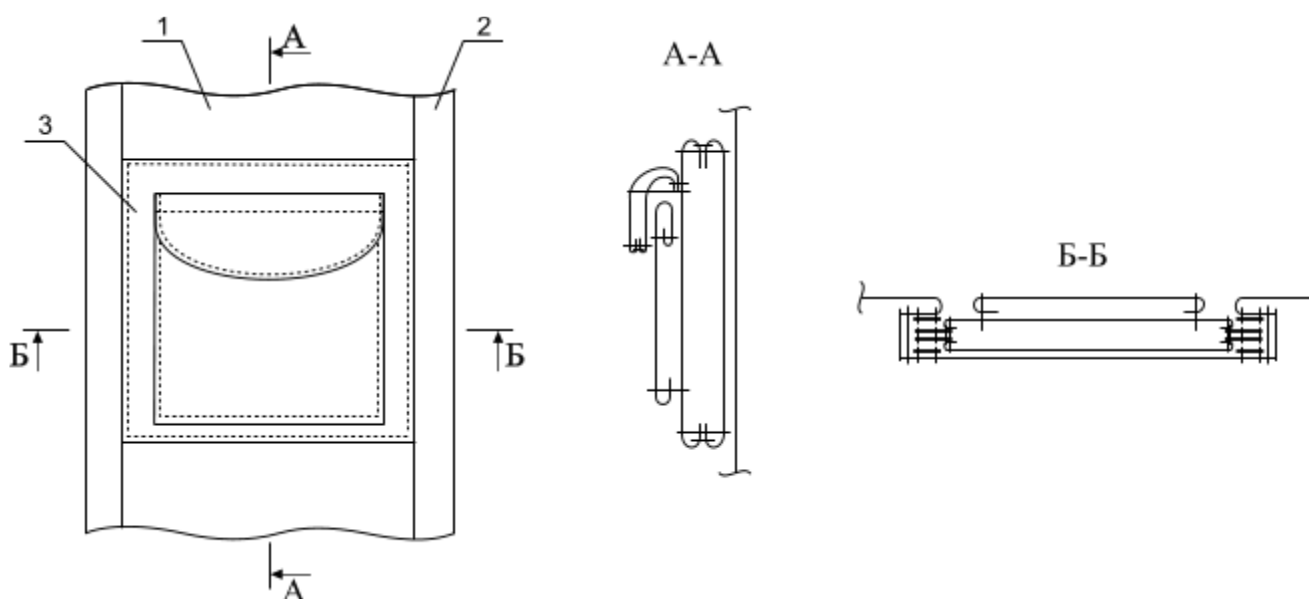
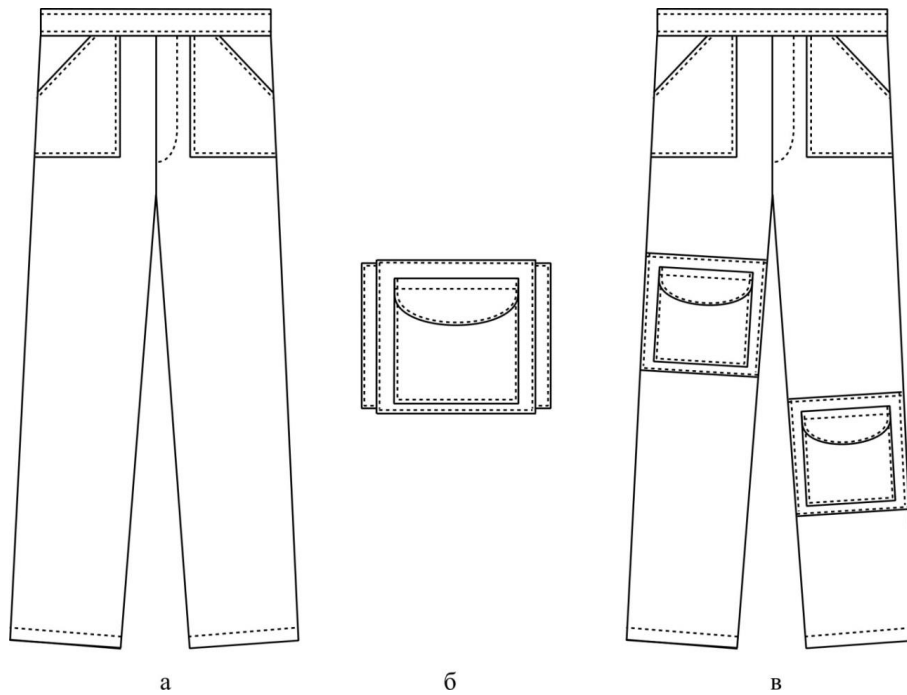
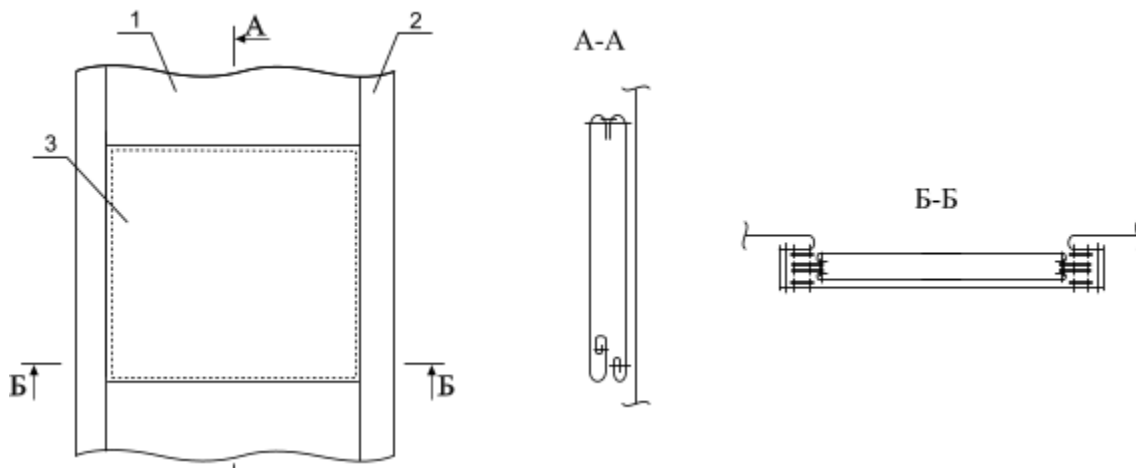


Fig. 18. Structural and technological solution of the element "removable pocket" ($\Phi 7 \Pi 1 \Delta 15$):
 1 – front half of trousers; 2 – back half of trousers; 3 – removable pocket



*Fig. 19. Appearance of the "pocket pocket" element ($\Phi 7$ П1 Д15):
*a – front view of trousers; б – the appearance of the element on the basis of the principle "transformation of the pocket"; в – the appearance of trousers with an element based on the principle of transformation "pocket pocket" in the front**

An example of such an element would be a removable knee brace, a structural and technological solution of which is shown in Fig. 20. It consists of two layers of fabric interconnected and a hole in the bottom for extra linings. The kneecap is attached to the product by textile fasteners.



*Fig. 20. Structural and technological solution of the item "ground knee pads" ($\Phi 7$ П1 Д2):
*1 – front half of trousers; 2 – back half of trousers; 3 is a removable knee pads**

An example of the use of a "landing gear" is shown in Fig. 21. The seating area is also subject to wear and therefore it is advisable to use a lei that can be removable in this area. Similarly, the item "removable armrest", "removable shoulder pad" and the like can be made.³⁷⁷

³⁷⁷ Ostapenko N. V. Development of multifunctional special thermal protective clothing and its elements on the basis of transformation principle. Collection of Articles of the IX International Scientific and Practical Conference [«Fire Safety – 2009»] – Lviv: LSU BDZ, 2010. – P. 112-114.

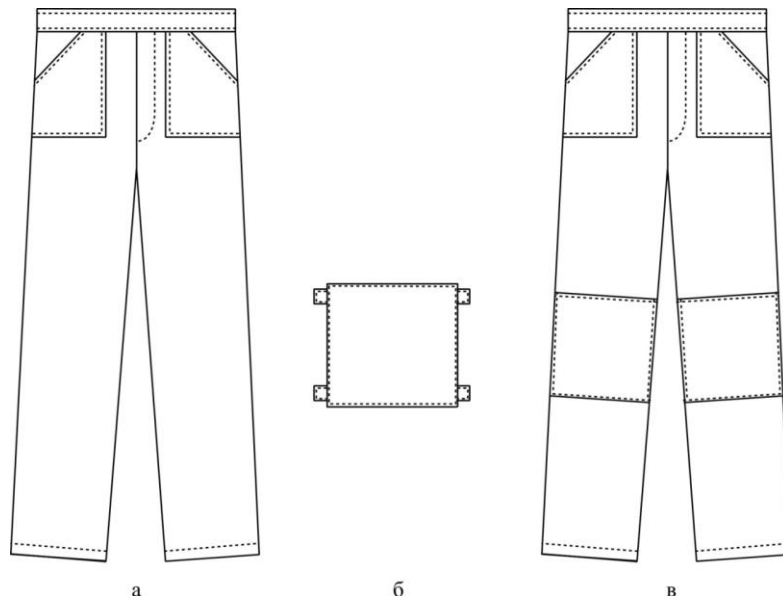


Fig. 21. Appearance of the "earth knee" element ($\Phi 7 \Pi 1 \Delta 2$): a – front view of trousers; б – the appearance of the element on the basis of the principle of "ground knee"; в – the appearance of trousers with an element based on the principle of transformation "ground knee" in the front

Using a lining is a very promising trend. This is due to the fact that employees in such positions may perform different duties, and therefore different parts of the product will be subject to different degrees of wear. The use of linings in all possible areas will increase the weight of the product and its material consumption, which will significantly increase its value. It is also often necessary to use linings made of materials with specific properties (to protect against cuts, acids of different concentrations, etc.).

In Fig. 22 shows a structural and technological solution of the element "pocket pocket", which is a combination of elements "pocket pocket" and "knee pad". It consists of a removable element containing two layers of fabric interconnected, a lap pocket with a valve and a suture knee with a hole in the bottom for the possibility of inserting additional inserts. The "Knee-Pocket Knee" element is attached to the product with textile fasteners that are adjusted to the product and to the item in the appropriate places.

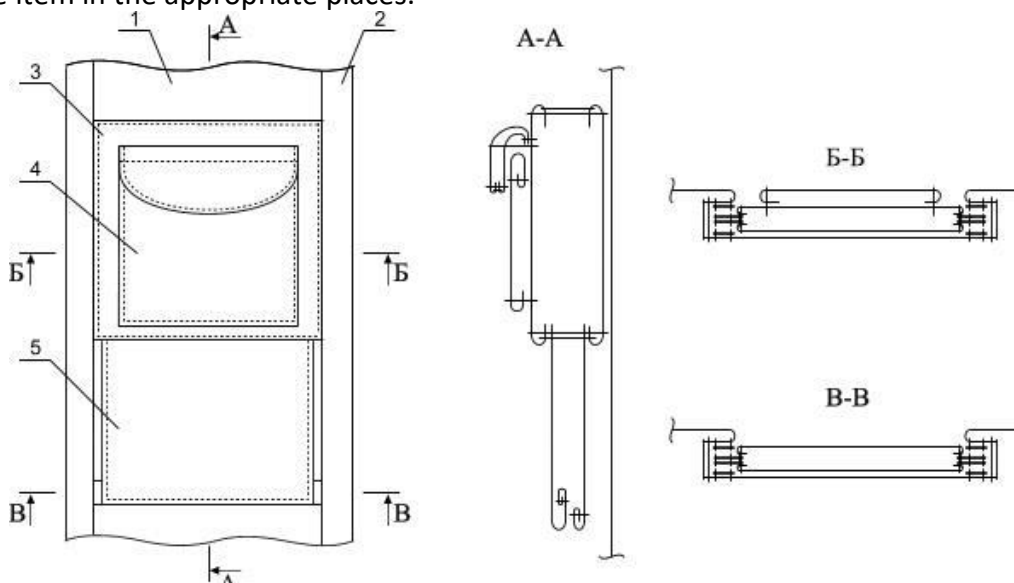
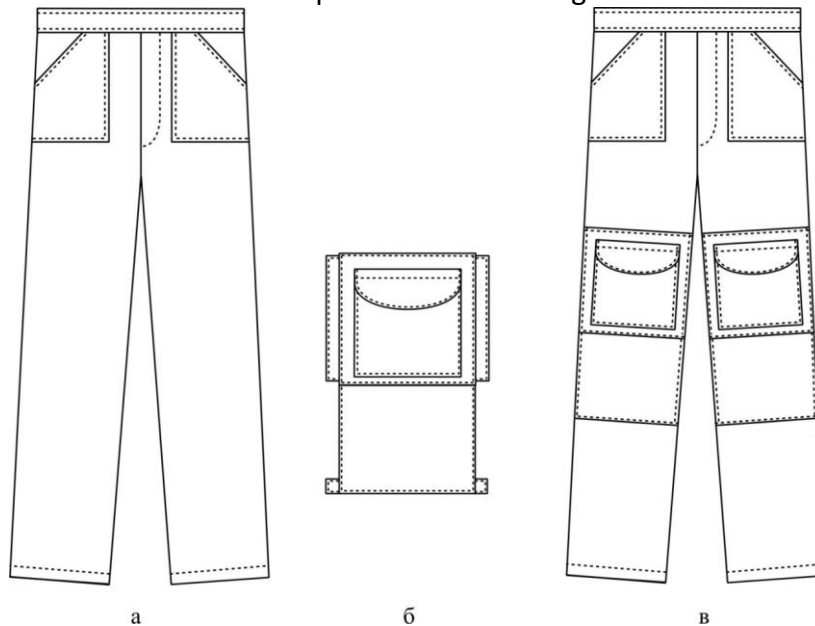


Fig. 22. Constructive and technological solution of the element "removable pocket – knee pads" ($\Phi 7 \Pi 1 \Delta 15 \Delta 2$): 1 – front half of trousers; 2 – back half of trousers; 3 – removable pocket – knee pads; 4 – patch pocket with valve; 5 – kneecap

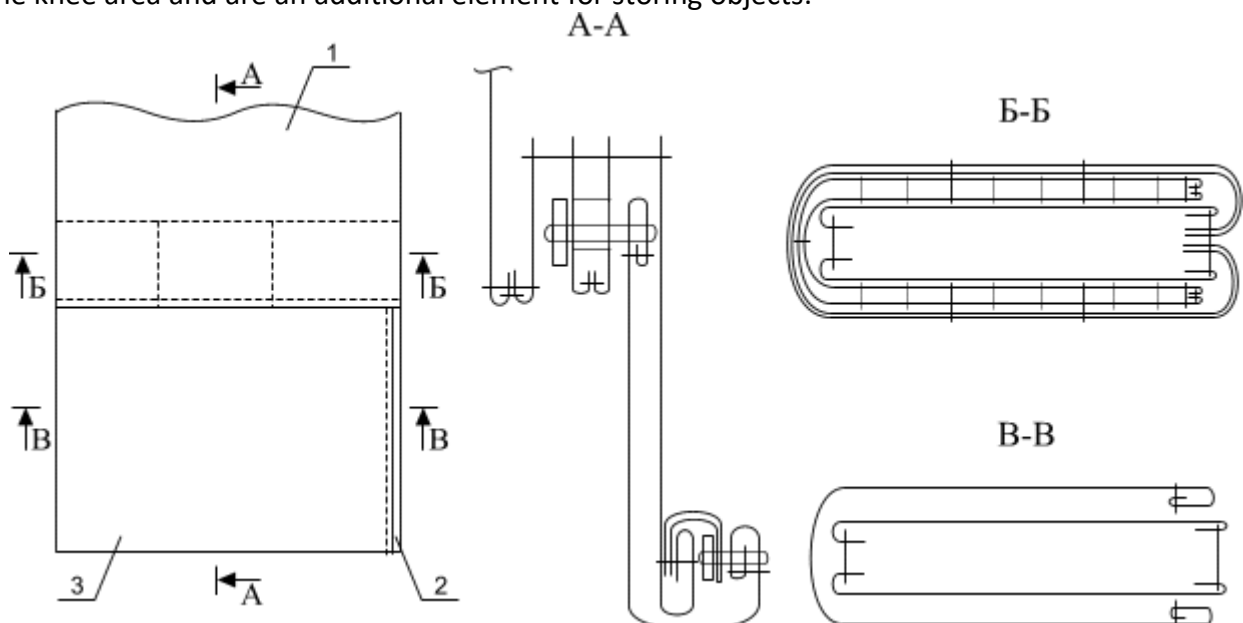
An example of the use of the "knee pads" is shown in Fig. 23.



*Fig. 23. Appearance of the item "removable pocket - knee pads" ($\Phi 7 \Pi 1 \Delta 15 \Delta 2$):
 a – view of trousers in front; b – the appearance of the element on the basis of the principle of "pocket pocket – knee"; in – the appearance of trousers with an element based on the principle of transformation "removable pocket – knee pads"*

When using elements based on the principles of transformation, the employee can, at his own request and depending on the situation, perform a combination of parts. According to the principle of "separation – joining" it is possible to add (fasten) or subtract (unfasten) a finished part.

These elements (Figs. 16-23) are attached to the trousers by means of textile fasteners, which are located in the side and step seams of the trousers and on the side of the pocket and / or knee pads. The above elements, based on the principle of transformation, provide protection in the knee area and are an additional element for storing objects.



*Fig. 24. Structural and technological solution of the element "ground part of the trousers" ($\Phi 7 \Pi 1 \Delta 17$): 1 – upper part of the front half of the trousers;
 2 – the lower part of the front half of the trousers; 3 is a removable pants bottom detail*

Knee pads, elbow pads, and shock absorbers provide the ability to withstand external wear and tear while protecting the limbs.

As the bottom of the trousers is subject to wear, an element based on the principle of transformation "ground piece of trousers" ($\Phi 7 \Pi 1 \Delta 17$), which is shown in Fig. 24. The element is attached to the trousers by means of buttons located at the top and bottom of the ground piece and loops which are located on the trousers and closed by a valve, which prevents water from getting under clothing and engaging clothing with surrounding objects.

To protect the shoulder area, it is advisable to use a removable cape that attaches to the clothing with buttons, buttons, and more. Damage to the material of the cape can be replaced, which will extend the life of the protective clothing.

The advantage of using such elements is the ability to replace them in the event of wear of a removable element. This makes it possible to extend the life of the garment and extend its functionality.

The use of the principle of transformation in protective clothing also leads to the unification of products. Enterprises have the opportunity to provide all employees with the same clothing, changing its functionality with the help of transformable elements, depending on the work performed and the topography of the influence of dangerous and harmful factors in the production environment.

Therefore, the use of elements based on the principles of the transformation of protective clothing allows you to produce ergonomic clothing that will meet the requirements of employees.

Conclusions. New methodological foundations of the process of design and technological development using the principles of transformation are proposed. This method of transformation makes it possible to develop new elements of protective products for certain production conditions, taking into account the requirements of the consumer to limit the influence of harmful production factors. The principles of scientifically grounded layout of various elements by functions into protective clothing products are defined, which provides the necessary combination of protective properties and characteristics that cause sufficient comfort under certain operating conditions. The urgency of further design, manufacture and implementation of elements based on the principles of transformation into protective products with the purpose of creating ergonomic modern clothes. The information base of transformer elements was theoretically substantiated, developed and formed for creation of modern protective clothing according to the types of danger and conditions of operation; experimental designs of clothing and its elements were made.

References:

1. Ostapenko N. V. Development of an approach to the creation of transformable elements of special clothing / N. V. Ostapenko, M. V. Kolosnichenko: Abstracts of Reports of the 21st International Scientific and Practical Conference ["Actual Problems of Fire Safety"], M.: FSU VNIPO EMERCOM of Russia, 2010. – P. 4.
2. Ostapenko N. V. Creation of elements of special thermal protective clothing based on the principle of transformation / N. V. Ostapenko, M. V. Kolosnichenko: Conferința Tehnico Științifică a Colaboratorilor, Doctoranților și Studenților, [2011 a Univ. Techn. a Moldovei], (8-12 December) – Ch.: UTM, 2012, Vol. 3. – 420 p. – P. 224-225.
3. Development of elements of special protective clothing based on the principles of transformation / N. V. Ostapenko, T. V. Lutsker, O. V. Kolosnichenko, L. D. Tretyakov // The theory and practice of design. Technical aesthetics. – 2015. – № 8. – P. 204-216.
4. Ostapenko N. V. Creation of elements of special thermal protective clothing based on the principle of transformation / N. V. Ostapenko, M. V. Kolosnichenko: Conferința Tehnico Științifică a Colaboratorilor, Doctoranților și Studenților, [2011 a Univ. Techn. a Moldovei], (8-12 December) – Ch.: UTM, 2012, Vol. 3. – 420 p. – P. 224-225.

5. Budchenko O. V. Development of elements of special thermal protective clothing on the basis of transformation principle / O. V. Budchenko, N. V. Ostapenko: Abstracts of the reports of the jubilee All-Ukrainian Scientific Conference of Young Scientists and Students ["Scientific Developments of Young People at the Current Stage"], (April 22-23, 2010) / Ministry of Education and Science of Ukraine, KNUTD. – K.: KNUTD, Volume 1, 2010. – P. 73.
6. Tesla A. P. Development of elements of special clothing on the basis of the principle of transformation on a functional basis / A. P. Tesla, K. L. Mayba, N. V. Ostapenko: Abstracts of the 10th All-Ukrainian Scientific Conference of Young Scientists and Students ["Scientific Developments of Young People at the Current Stage"], (April 19 – April 20, 2011) / Ministry of Education and Science of Ukraine, KNUTD. – K.: KNUTD, Volume 1, 2011. – P. 76.
7. Analysis of the composition and design of clothing for railway conductors of Ukraine / I. O. Prikhodko-Kononenko, O. V. Kolosnichenko, N. V. Ostapenko, M. V. Kolosnichenko // Theory and practice of design. Technical aesthetics. – 2015. – № 8. – P. 233-243.
8. Development of ergonomic and aesthetic protective clothing for civil aviation workers / A. I. Rubanka, T. V. Lutsker, N. V. Ostapenko, M. V. Kolosnichenko // Theory and practice of design. Technical aesthetics. – 2015. – № 8. – P. 250-256.
9. Slavinskaya A. L. Building a pattern of clothing details of different assortment: textbook. tool. / A. L. Slavic. – Khmelnytsky: TUP, 2002. – 142 p.
10. Stalemate. 102950 Ukraine, IPC A 41D 13/00. Overalls for the military / Avramenko T. V., Ostapenko N. V., Stelmakh M. D., Zavadsky S. L., Kolosnichenko M. V., Vasilyeva I. V., Alexandrov M. E.; applicant and patent holder Kyiv National University of Technology and Design. – No. u201505300, Appl. 29. 05. 2015; publ. 25/11/2015, Bul. № 22.
11. Stalemate. 102935 Ukraine, IPC A41D 13/00. Thermal protective overalls / Rubanka A. I., Ostapenko N. V., Kolosnichenko O. V., Lutsker T. V.; applicant and patent holder Kyiv National University of Technology and Design. – No. u201505151, Appl. 26. 05. 2015; publ. 25/11/2015, Bul. № 22.
12. Tretyakov L. D. Personal protective equipment for self-rescue during a fire / L. D. Tretyakova, N. V. Ostapenko: Materials of the XIV International Scientific Method. conf., ["Safety of life and human activity – education, science, practice"], (Kharkiv, May 21 – May 22, 2015) / inst. technol. and education content, Deporte. civilians. of protection, Kharkov. nat. un-t the city. master in it. O. M Beketova and others. – Kharkiv: KhNUMG them. O. M Beketova, 2015. – P. 81-83.
13. Rubanka A. I. Features of the design solution of ergonomic clothing for emergency operations / A. I. Rubanka, N. V. Ostapenko // ["Scientific developments of young people at the present stage"], abstracts of the XIV All-Ukrainian Scientific Conference of Young Scientists and Students, April 23-24, 2015. – K.: KNUTD, 2015. – Vol. 1. – P. 36.
14. Ostapenko N. V. Development of multifunctional special thermal protective clothing and its elements on the basis of transformation principle / N. V. Ostapenko, T. V. Tseselskaya, M. V. Kolosnichenko: Collection of Articles of the IX International Scientific and Practical Conference [«Fire Safety – 2009»] – Lviv: LSU BDZ, 2010. – P. 112-114.

3.3. Innovative and military-industrial component of overcoming modern challenges of the Baltic-Black Sea region countries

The importance of innovation impact in the world economy is gradually increasing. The intensification of scientific and technological progress and trends inherent in the present stage of economic development suggest that the type of innovation will be decisive, with the economy, in turn, becoming more innovative.

At the same time, the current global geopolitical situation is characterized by instability and the level of security decreasing in many regions. This can be attributed to a number of reasons.

Reducing the role of the United Nations Organization, focusing on solving internal problems of United States of America, the impending conflict between the United States and China, the growing ambitions of the Russian Federation, etc. Central and Eastern Europe is one of those regions in which this tension is felt most acutely.

Today it is expressed in a military conflict in the east of our country. The high probability of this conflict occurrence was predicted by some politicians and scientists in the field of geopolitics and international relations in the late 90s, among which the most prominent example is Zbigniew Brzezinski (Brzezinski, Z. (2016)). He also predicted that in the event of Ukraine's reintegration, in one form or another, into Russia, Poland and other Eastern European countries would be at the forefront of the confrontation between Russia and the Western world.

In this regard, it is important to understand development speed of scientific and technological progress as well as the scientific tools that allows to effectively manage and predict the trends of its development.

It is important to understand the approaches that allows to analyze and take into account economic, political and innovative factors of development. In order to effectively use them at the state level, thus ensuring its own security function.

The tendency to prioritize national economic interests over regional security interests also contributes to reducing security in Central and Eastern Europe. It is now just over ten years since the publication of Chesbrough's (2003) recognized seminal work, introducing the concept of open innovation in management studies innovation.

The concept, originally aimed at managerial audience level, has attracted considerable interest among researchers in the field of innovation studies, and policy-makers.

For practitioners, it was viewed as a means of spanning the boundaries of control in the creation and commercialization of innovation beyond the enterprise (West et al, 2014).

For researchers, it launched the signal for the advance of a 'new paradigm', leading to a profusion of numerous books, journal articles and conferences (for details about the expansion of this body of literature please refer to "Chesbrough and Bogers, 2014").

Ultimately, this could be viewed as the emergence of a distinct academic community. Acknowledging the developmental potential of the approach, policy makers regionally, nationally and transnationally figured out how to re-align their actions towards open innovation.

The basic premise of this new approach is to open up the innovation process (Huizing, 2011). One of the most commonly used conceptualizations defines open innovation as "the use of on purpose inflows and outflows of knowledge to accelerate internal innovation, and expand the markets for external use of innovation respectively" (Chesbrough, 2006).

For analytical convenience purpose, rather than an accurate reflection of a preceding empirical reality, it comes in contrast with closed innovation, where enterprises internalize the whole process (from generating ideas to commercial exploitation).

Whilst open innovation may be explored at different levels, research to date has recently tended to focus more attention directed at teams and projects, at firm's level (West et al, 2014).

Given the above trends, it is advisable for Central and Eastern European countries to integrate their military, industrial and innovation potentials to enhance the security of the Baltic-Black Sea region and increase their competitiveness in the global race for resources context.

Analysis of existing achievements and publications. Note that considering open innovations, it is important to study the dynamics of its development. Comparing with Chesbrough's (Chesbrough, 2006) closed innovations, where he cites various examples of closed innovation industries: nuclear reactors, mainframe computers, aircraft engines.

Today's trend is characterized by agile changes and fierce competition, where relying on standard solutions is no longer necessary.

Then the principles of open innovation become particularly relevant, (Chesbrough, 2006):

- not enough smart people work for us: we need to work with smart people inside and outside our company;
- external R&D create significant value, internal R&D is needed to claim some fraction of that value;
- building a better business model is better than going to market first;
- if we make the best use of internal and external ideas, we will win;
- we should profit from other's use of our IP, and we should buy others' IP when ever it advances our own business model.

The importance of the institutional context in facilitating access to firm's external knowledge resources, thus enabling innovation, is particularly relevant in the case of post-socialist countries.

In the late 1980s and early 1990s, they embarked on a process of large-scale discontinuous change: away from long-established institutions governing planned economies towards the introduction of new market.

This is because it may be relatively easy transitional economies to 'copy' the formal institutions of a market economy.

But it is much more challenging and time-consuming to get the corresponding informal institutions working as well as realize the behavior change among stakeholders.

The scope of our study is the Baltic-Black Sea region countries.

A significant number of publications, most of which journalistic sources, are devoted to the cooperation of the Baltic-Black Sea region.

Nevertheless, there are a significant number of scientific publications in this area, among which coexist both articles and monographs-(Tkachenko, 2016, Levy, 2007, Chodakiewicz, 2012 etc.).

However, all of them are devoted to the historical, political, social, cultural and other humanitarian aspects of cooperation.

In the modern world, the above-mentioned aspects of the development of countries and regions can be achieved only if they are made on the basis of a powerful post-industrial economy, competitive science, innovation potential and a high-tech army.

Acknowledging the development potential of the approach, policy makers regionally, nationally and transnationally figured out how to re-align actions driven towards open innovation.

During the analytical review of existing publications, many sources were identified that dealt with the production of weapons and military equipment, national armies equipment, the issues of import and export (Ukrainian Military Pages, Analysis modernization & development of Polish Army in 2017 etc.).

However, all of them only consider economies taken separately and use only descriptive statistics without using modern data analysis methods. Stockholm International Peace Research Institute offers a huge number of analytical reports on security issues in the world, modern military conflicts, armies equipment, weapon transfer and military equipment (Martin, Milan, 2016, Wezeman, 2018 and etc.).

The nature of most of the reports are global and rely only upon descriptive statistics and comparative analysis. Of particular relevance is the information support on-emerging processes.

Thus, patent information is used at all stages of the life cycle of technology objects. With their use, the development of technical innovations and their patenting carried out, prospects for commercialization of the created industrial property objects and their competitiveness are determined, promotion of new equipment issues on the market are being addressed.

Basic research materials. Consider the mutual supply of weapons and military equipment between the countries of the Baltic-Black Sea region (Ukraine, Poland, Hungary, the Czech Republic, Slovakia, Belarus, Lithuania, Latvia, Estonia, Romania, Moldova, Bulgaria, Azerbaijan and Georgia) for 2014-2017, compiled database by Stockholm International Peace Research Institute (SIPRI Arms Transfers Database, 2017).

Based on this analysis, the following trends can be highlighted:

- trade in armaments and military equipment between the countries of the Baltic-Black Sea region is mainly offset by the transfer of used and modernized models;

- Ukraine occupies a dominant position in the arms and military equipment market in the Baltic-Black Sea region, with Ukrainian arms exports to the countries of this region being roughly equal to all the other countries above, combined;

- further to the outbreak of armed conflict in the east of the country, exports of Ukrainian weapons and military equipment fell sharply, but imports from the Baltic-Black Sea countries grew only slightly and are characterized only by the order of Warmate unmanned aerial vehicles from the Polish company WB Group;

- regularity, long ago observed by scientists and politicians, about the upcoming military conflict is evidenced by a sharp increase in the country's weapons costs characteristic of the Baltic-Black Sea region, as Georgia sharply increased the import of weapons and military equipment from Ukraine, Poland and Azerbaijan in 2007;

- in 2017, imports of armaments by Azerbaidjan increased, which, in the presence of a frozen conflict in Nagorno-Karabakh, is an alarming trend.

Within the scope of this article we will not address the military-political sides of cooperation between the countries of the Baltic-Black Sea region, but concentrate on the innovation-technological as well as organizational & economic aspects of such cooperation.

We will analyze the possibilities of such cooperation on the basis of the industrial defense and innovation potential of Ukraine and Poland, as the largest exporters of weapons and military equipment among the countries of the region (Wezeman, 2018).

An overview of the products and services of the State Concern “Ukroboronprom” and the Polish Armaments Group, an association of arms manufacturers and military Poland, is available on the website of these organizations.

Competitive directions of possible cooperation of these enterprises are diverse and deserve separate publications. As part of this work, we will focus on a quantitative assessment of the impact of increasing in the usage of weapons and military equipment in the domestic markets of Ukraine and Poland on their exports from these countries.

We will conduct a quantitative assessment using statistical data sets submitted by the Stockholm International Peace Research Institute (Military expenditure by country as a percentage of GDP – Gross Domestic Product, 2018).

Table 1 shows the financial indicators of arms exports (\$ million, year 2016) and military spendings as a percentage of GDP for Ukraine and Poland for 2005-2016 (Military expenditure by country as percentage of gross domestic product, 1988-2002, 2018, Government and industry data on the financial value of national arms exports, 2001-2016, 2018).

Table 1. Arms exports and military expenditures for Ukraine and Poland, 2005-2016.

Year	Ukraine		Poland	
	The financial value of arms exports, in \$ constant (2016) US\$	Military expenditure by country as percentage of GDP – Gross Domestic Product	The financial value of arms exports, in constant (2016) US\$	Military expenditure by country as percentage of GDP – Gross Domestic Product
2005	731	2,6	443	1,9
2006	731	2,7	411	1,9
2007	810	2,8	455	2,0
2008	892	2,6	601	1,8
2009	895	2,8	2162	1,8
2010	1053	2,7	666	1,8
2011	1071	2,3	1259	1,8
2012	1070	2,4	850	1,8
2013	1030	2,4	1174	1,8
2014	804	3,0	1237	1,9
2015	577	4,0	1425	2,1
2016	770	3,7	1357	2,0

Paired linear correlation coefficient between the financial value of arms exports and military expenditure by country as percentage of GDP – gross domestic product for Ukraine is – 0,745, and for Poland is – 0,007. Moreover, the correlation coefficient for Ukraine is statistically significant by Student's criterion with a probability of 95%.

So, a linear relationship between the financial value of arms exports and military expenditure by country as percentage of gross domestic product for Ukraine can be described as a strong inverse.

This situation can be explained by the fact that after the outbreak of an armed conflict in the east of the country, and, accordingly, an increase in the defense budget, a significant shift in defense products to the domestic market occurred.

The relationship between the financial evaluation of arms exports and-military expenditure by country as percentage of GDP for Poland missing. This is due to a more stable military-political situation in this country, thanks to participation in the NATO collective security system. The financial value of arms exports and military expenditure by country as percentage of GDP gross domestic product for Ukraine make it reasonable to quantify this linear constraint by the least squares method:

$$\hat{y}_i = 1523,44 - 230,8 \cdot x_i + \varepsilon, \quad (1)$$

where \hat{y}_i – the financial value of arms exports;

x_i – military expenditure by country as percentage of gross domestic product;

ε – random and unaccounted factors in the model;

$\beta_0 = 1523,44$, $\beta_1 = -230,8$ – parameters of regression.

The regression parameters are statistically significant by Student's criterion with a probability of 95%.

The economic meaning of the parameter is the OLS – assessment of the export of Ukrainian weapons and military equipment, if the percentage of GDP spent on defense is zero, i.e. it is estimated in millions of \$. The economic meaning of the parameter is to reduce the financial value of arms exports with increasing military expenditure by country as percentage of GDP on 1%. That

is, for every 1% of the GDP Gross Domestic Product invested in supplying its army with armaments and military equipment, the fall in Ukrainian exports of these products is estimated at 230.8 million \$.

We will bring on Fig. 1 correlation field, which is constructed according to the Table 1 and showing the regression line (1) that describes it.

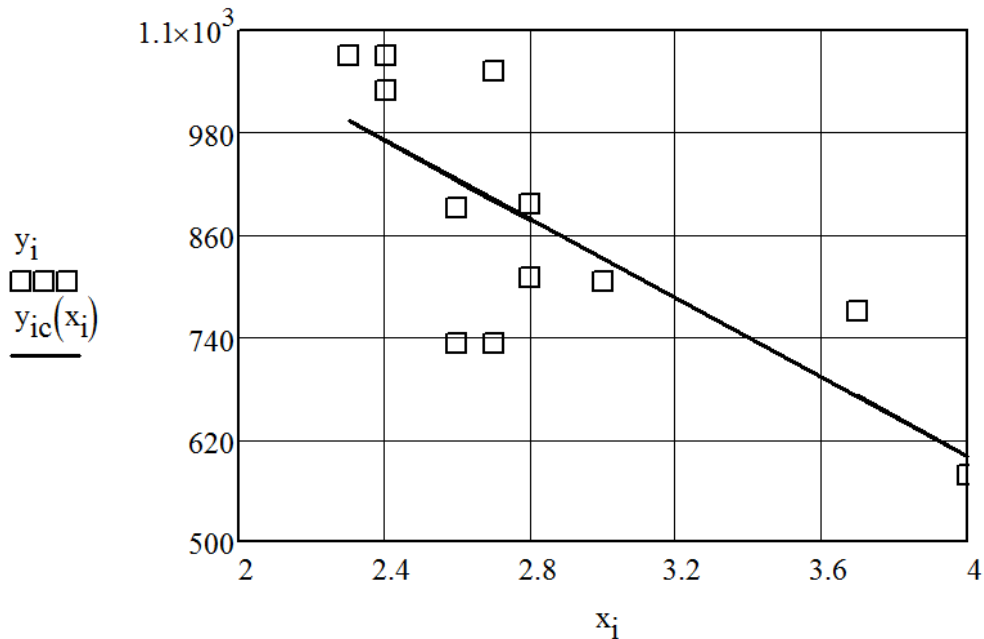


Fig. 1. Dependence of the financial value of arms exports, in constant or Military expenditure by country as percentage of gross domestic product

On Fig. 1 it can be seen how a sharp increase in the percentage of Ukraine’s GDP spent on defense has affected the decrease in exports of weapons and military equipment in recent years (the last two sampling points).

Let us evaluate the quality of the model by the coefficient of determination, which is 0.555 and statistically significant by the Fisher criterion with a probability of 95%. This value of the coefficient of determination indicates that the amount of variance of the dependent variable (the financial value of arms exports), the model explained is 55.5%, while 44.5% is accounted for by random factors unaccounted for in the model.

In addition to the usual assumptions and those made in estimating linear links using the least squares method, we assume that the impact of Ukraine’s GDP decline on financing the rearmament of security forces was offset by financial support from Allies, including through NATO trust funds.

Currently, many politicians and military experts are talking about the need to bring defense costs level up to 5% of their GDP.

According to the model (1), the estimated point of the predicted value the financial value of arms exports will be \$ 269.45 million.

Conclusions and prospects for further research. The empirical research in Ukraine shows that, against literature-sourced expectations, the adversity of the institutional setting does not constrain enterprises, belonging to the four types of innovation outcome, from accessing to externally generated knowledge.

This is particularly the case regarding innovation implementation, in comparison to the early (generation of ideas) stages in the process.

Innovative enterprises appear to adopt rather diverse strategies regarding the means used to access to externally generated knowledge.

As prospects for further research, it is advisable to supplement model (1) with an additional independent variable characterizing the change in GDP over time and the assistance of foreign allies.

Thus, the organizational and economic mechanism for managing a scientific and technical regional program in an innovative economy should be based on a combination of market actions and state regulation. These actions should be aimed at developing and implementing a long-term perspective for the development of science and technology, and strengthening the defense of the Baltic-Black Sea region.

References:

1. Brzezinski, Z. (2016): *The Grand Chessboard: American Primacy and Its Geostrategic Imperatives*. – Basic Books, 2016 – 256 p.
2. Chesbrough, H. W. (2006): *Open innovation the new imperative for creating and profiting from technology* / Chesbrough, Henry William, 2006. Harvard Business School Publishing Corporation.
3. Tkachenko, O. (2016): *Reinventing Ukraine: Ukrainian National and Supra-National Identity in Contemporary Polish Opinion-Forming Press* // Olha Tkachenko / *Colloquia Humanistica*, 2016, № 5. – P. 141-163.
4. Levy, J. (2007): *The Intermarium: Wilson, Madison, & East Central European federalism*. Roca Baton: Universal-Publishers.
5. Chodakiewicz, M. (2012): *Intermarium: The Land between the Black and Baltic Seas*. – New Brunswick: Transaction, 2012 – 568 p.
6. Turner, P. T. (2015): *The evolution of Prometheans: Józef Pilsudski's strategy and its impact on twentieth-first century world affairs* / Phillip Tadeusz Turner // A thesis submitted in partial fulfillment of the requirements for the degree of Master of Arts in History Boise State University. 2015. – 98 p.
7. Яким буде нове озброєння ЗСУ у 2019-му. *Defense express*. Access mood: <https://defence-ua.com/index.php/statti/publikatsiji-partneriv/6210-yakym-bude-nove-ozbroyennya-zsu-u-2019-mu> / What will be the new weapons of the Armed Forces in 2019. *Defense express*. Access mood: <https://defence-ua.com/index.php/statti/publikatsiji-partneriv/6210-yakym-bude-nove-ozbroyennya-zsu-u-2019-mu>.
8. Ukrainian Military Pages. Access mood: <https://www.ukrmilitary.com/p/weapons-and-military-equipment.html>.
9. Analysis modernization & development of Polish Army in 2017. Access mood: https://www.armyrecognition.com/armies_in_the_world_analysis_focus/analysis_modernization_development_of_polish_army_in_2017.html.
10. Poland – Defense Industry. Access mood: <https://www.export.gov/article?id=Poland-Defense-Industry>.
11. Martin, M., Milan, Š. (2016): *Defense and industrial policy in Slovakia and the Czech Republic: drivers, stakeholders, influence by deputy director* / Europeum institute for European policy security policy analyst, 2016. – 14 p.
12. SIPRI Arms Transfers Database. access mood: http://armstrade.sipri.org/armstrade/page/trade_register.php.
13. Wezeman, P. D. (2018): *Trends In International Arms Transfers 2017* / Pieter D. Wezeman, Aude Fleurant, Alexandra Kuimova, Nan Tian, Siemon T. Wezeman // SIPRI Fact Sheet. – March 2018. – 12 p.
14. Wezeman, P. D. (2018): *Fleurant Aude The SIPRI top 100 arms-producing and military services companies 2017* / Alexandra Kuimova, Nan Tian, Pieter D. Wezeman, Siemon T. Wezeman // SIPRI Fact Sheet. – December 2018. – 12 p.
15. *Military expenditure by country as percentage of gross domestic product, 1988-2002 (see below for 2003-2017)*. – SIPRI 2018. – Access mood: https://www.sipri.org/sites/default/files/3_Data%20for%20all%20countries%20from%201988%E2%80%932017%20as%20a%20share%20of%20GDP.pdf.
16. *Government and industry data on the financial value of national arms exports, 2001-2016*. – SIPRI 2018. – Access mood: <https://www.sipri.org/databases/financial-value-global-arms-trade>.

3.4. Physical therapy and ergotherapy of children of the first year of life with hypoxic-ischemic lesions of the central nervous system

3.4. Фізична терапія та ерготерапія дітей першого року життя з гіпоксично-ішемічним ураженням центральної нервової системи

На сучасному етапі розвитку держави питання фізичної терапії новонароджених дітей з ураженнями центральної нервової системи є достатньо актуальними. З даними ВООЗ, в Україні протягом останніх десятиріч перинатальні гіпоксично-ішемічні ураження (ГІУ) центральної нервової системи (ЦНС) становлять від 30 до 50% у структурі захворюваності серед новонароджених дітей, та 20% – у структурі їх смертності.³⁷⁸ Церебральні порушення (гіперперфузія, ішемія, внутрішньошлункові крововиливи), які виникають у перші години життя дитини та упродовж доби після народження, обумовлюють особливості протікання раннього неонатального періоду і стають однією із найпоширеніших причин дитячої інвалідизації.

Типовим наслідком ураження ЦНС є порушення психомоторного розвитку дитини різного ступеня тяжкості – від мінімальних мозкових дисфункцій до дитячого церебрального паралічу (ДЦП) та формування інвалідності (Бадалян Л. О., Нагорна О. Б., 2012). Але, незважаючи на високий рівень сучасних діагностичних технологій, вище зазначені та інші порушення нерідко виявляються вже у старшому дитячому віці, що свідчить про неякісний медичний контроль за цією патологією у немовлят (Баранов А. А., Вельтищев Ю. Є., 2003). Діти, в яких у віці до 1 року діагностується помірна затримка нервово-психічних процесів, мають можливість покращити показники психомоторного розвитку і уникнути порушень у стані здоров'я.³⁷⁹

Патологічні стани, що виникають від самого народження, суттєво впливають на подальший розвиток дитини та зумовлюють високі показники захворюваності, смертності та інвалідності, що надає цій проблемі масштабного медико-соціального значення. Окрім того, вони змінюють хід подальшого постнатального розвитку, зумовлюють множинні індивідуальні ураження органів, перешкоджають нормальному функціонуванню систем організму.³⁸⁰

Основою профілактики важких неврологічних порушень вважається рання діагностика і своєчасне реабілітаційне втручання, які дозволяють не тільки відновити порушені функції, але й попередити їх стійкий розвиток у подальшому житті.

Найпоширенішими в структурі перинатальної патології НС є гіпоксичні ураження (ГУ), що виникають в результаті недостатнього надходження кисню в тканини ГМ. Це явище пов'язане зі зниженням вмісту кисню в артеріальній крові (гіпоксемією), та погіршенням мозкового кровообігу (ішемією) (Панаєв М. С., 2003).

Проблемами фізичної реабілітації дітей з гіпоксичними ураженнями ЦНС займалося широке коло вітчизняних та зарубіжних дослідників. На сьогодні, найбільш поширеними авторськими терапевтичними методиками, що застосовуються в Європі є:

1) метод К. і Б. Бобат – нейророзвиваюча терапія, яка спрямована на пригнічення активності патологічних тонічних рефлексів, поступальних реакцій та рухових стереотипів із

³⁷⁸ Бомбардинова Е. П. Лікування та реабілітація перинатальних уражень нервової системи у дітей перших місяців життя / Е. П. Бомбардинова // Лікуючий лікар. – 2005. – № 2. – С. 66-67.

³⁷⁹ Кукушкин Д. В. Факторы риска и структура задержек нервно-психического развития детей раннего возраста: возможности и перспектива диагностики на педиатрическом участке / Д. В. Кукушкин // Педиатрическая фармакология. – 2008. – № 3 (23). – С. 26-29.

³⁸⁰ Изюмец О. И. Гипоксически-ишемические повреждения центральной нервной системы у новорожденных. Современная педиатрия. – 2013. – № 6. – С. 136-139.

подальшим відновленням статики і моторних навичок незалежно від віку хворого та починаючи з періоду новонародженості.

2) метод В. Войта – система лікування за методикою рефлекс-локомоцій (вроджені реакції рефлекторного повзання і рефлекторного перевертання), що передбачає можливість у новонароджених та дітей раннього віку «перетворити» патологічні реакції у фізіологічний руховий стереотип і запобігти формуванню органічного ураження ЦНС.

3) метод кондуктивної педагогіки А. Петью – базується переважно на освітній моделі втручання, об'єднує педагогічні та реабілітаційні цілі в одній програмі.

4) метод динамічного пропріоцептивного коригування К. О. Семенової – полягає у впливі на мозкові структури функційної системи антигравітації потоку скоригованої пропріоцептивної імпульсації, яка виникає при виконанні пацієнтом довільних рухів у рефлекторно-навантажувальному пристрої «Гравістат».

5) метод В. І. Козьявкіна³⁸¹ – система інтенсивної нейрофізіологічної реабілітації.

Дані спеціальної науково-методичної літератури дають підстави упроваджувати у реабілітаційний процес різноманітні методики для вирішення означеної проблеми, але, поряд з цим, вказують на відсутність єдиного підходу щодо відновлення рухових порушень у дітей з гіпоксичними ураженнями ЦНС.

Дослідження проводилося на базі Глухівського міського центру соціальної реабілітації дітей-інвалідів, у якому взяли участь 20 дітей віком до 1 року з ГУ ЦНС, які були розподілені на 2 групи. До основної групи (ОГ) увійшли 7 хлопчиків і 3 дівчинки. Група порівняння (ГП) складалася із 6 хлопчиків і 4 дівчат. Учасники ОГ отримували оздоровчі процедури згідно розробленої нами програми фізичної терапії та ерготерапії. У ГП застосовували фізичні вправи та інші методи оздоровлення на розсуд батьків.

У результаті аналізу даних спеціальної науково-методичної літератури було встановлено, що у рамках програми фізичної терапії та ерготерапії для дітей першого року життя із гіпоксично-ішемічним ураженням головного мозку, доцільно включити наступні засоби: антигравітаційну гімнастику, лікувальний масаж та сенсорну інтеграцію.

Завдання розробленої комплексної програми були наступними:

- 1) усунути наслідки гіпоксично-ішемічного ураження;
- 2) стимулювати психомоторний розвиток;
- 3) збільшити амплітуду рухів у суглобах та нормалізувати м'язовий тонус кінцівок;
- 4) розвинути дрібну та грубу моторику;
- 5) врівноважити процеси збудження і гальмування центральної нервової системи;
- 6) покращити загальне самопочуття та зміцнити весь організм.

Основою програми фізичної терапії була антигравітаційна гімнастика, яка виконувалася за допомогою фітболу. Основними завданнями застосування фітбол-гімнастики стали: нормалізація тонусу осьових м'язів хребта, верхніх та нижніх кінцівок, які перешкоджають силі земного тяжіння; відновлення повного обсягу та координації виконання рухів; зміцнення ослаблених та нормалізація тонусу спастично скорочених м'язів; стимулювання психомоторного розвитку дитини³⁸²; покращення дихальної функції через стимуляцію внутрішньолеганевого переміщення газів (сприяє зниженню негативного впливу

³⁸¹ Козьявкін В. І. Метод Козьявкіна – система інтенсивної нейрофізіологічної реабілітації: посібник реабілітолога / В. І. Козьявкін. – 2011. – С. 21.

³⁸² Сухан В. С., Дичка Л. В. Лікувальна фізична культура при захворюваннях і травмах нервової системи / В. С. Сухан, Л. В. Дичка. – Ужгород, 2014. – С. 51.

перенесеної гіпоксії); посилення крово- і лімфообігу у хребетних дисках, посилює скорочувальну здатність м'язів; нормалізація ліквородинаміки.³⁸³

Масаж як метод саморегуляції організму особливо важливий для НН, які отримали пологову травму, так як, в першу чергу він покращує кровопостачання тканин і відновлює порушену іннервацію, як периферичного, так і центрального походження. Завдяки високій пластичності дитячого мозку,можливий успішний результат навіть після важких клінічних випадків.³⁸⁴

Мета застосування масажу полягає в нормалізації м'язового тону у верхніх та нижніх кінцівках новонароджених дітей з даною патологією. Завдання масажу були наступними: усунути гіпертонус у м'язах кінцівок; нормалізувати процеси збудження та гальмування нервової системи; покращити кровообіг, підвищити рівень насичення тканин і органів киснем; нормалізувати обмін речовин та трофічні процеси в тканинах.

Сенсорно-інтегративна терапія спрямована на підвищення здатності мозку сприймати й організовувати сенсорну інформацію, що створює умови для формування адаптивних реакцій, розвитку моторних і психічних функцій, освоєння практичних навичок та видів діяльності відповідно до психоневрологічних потреб дитини.

Завданнями даної реабілітаційної методики були: формування адаптивних реакцій; розвиток великої та дрібної моторики; розвиток моторних функцій, освоєння практичних навичок та видів діяльності відповідно до психоневрологічних потреб дитини; розвиток координаційних здібностей (орієнтації у просторі, утримання пози, збереження рівноваги); розвиток психічних функцій (брати різні предмети та маніпулювати ними).

З метою оцінювання результатів дослідження нами були використані наступні методи: психолого-педагогічні (скринінг-тест нервово-психічного розвитку дітей «DenverII»); медико-біологічні (шкала моторного розвитку Альберта, шкала психомоторного розвитку Гріффітс), оцінка фізичного розвитку.

Оцінка фізичного розвитку здійснювалася за антропометричними показниками ваги та зросту тіла дитини. Отримані дані порівнювалися із даними центильних таблиць шляхом зіставлення. Отримані цифрові значення дали підстави стверджувати, що всі учасники ОГ на початку дослідження знаходяться у середній центильній межі (25-50%),а у дівчат спостерігається тенденція до зниження маси тіла. У ГП масу тіла дітей можна оцінювати як таку, що відповідає середнім характеристикам зросту.

Впровадження розробленої програми фізичної терапії та ерготерапії сприяли більшому приросту за показниками зросту серед дітей ОГ відносно порівняльної. Так, зріст хлопчиків в ОГ збільшився на 13,7%, у той час як у ГП – лише на 8,5%. Отримані вказують і на підвищення вентильного інтервалу росту серед хлопчиків до 50-75% у ОГ та до 50% у ГП. Зріст дівчат ОГ збільшився на 13, 9%, а у ГП – на 24,6%. Центильний інтервал росту учасників ОГ підвищився практично в 3 рази. Вага хлопців ОГ та ГП зросла на 37,3% та 24,6% відповідно. Різниця у прирості ваги тіла між дівчатами ОГ та ГП була мінімальною, та становила 30,8% та 30,3% відповідно.

Зі збільшенням маси тіла підвищився центильний інтервал ваги. У ОГ він досягнув 75% у хлопців та 50-75% у дівчат. У ГП інтервал був однорідним та складав 50%.

³⁸³ Налобина А. Н. Методика лечебной гимнастики для детей первого года жизни, перенесших церебральную ишемию I-II степени в перинатальном периоде / А. Н. Налобина // Лечебная физкультура и спортивная медицина. – 2011. – № 2 (34). – С. 30.

³⁸⁴ Шрейдер Т. Ф., Федорова Г. В., Якименко С. Н. (2016). Эффективность использования комплексной физической реабилитации детей грудного возраста с перинатальным поражением центральной нервной системы / Т. Ф. Шрейдер, Г. В. Федорова, С. Н. Якименко // Казанский медицинский журнал. – 2016. – Том 97, № 3 – С. 341-346.

Оцінка психомоторного розвитку дітей здійснювалася за допомогою DDST. Згідно отриманих результатів, успішно виконали всі завдання (оцінка В) 3 дитини ОГ та 2 дитини ГП. Кількість дітей, які не змогли справитися із поставленими задачами (оцінка НВ) у ОГ та ГП була однаковою (по 4 дитини). Кількість учасників, які не мали можливості виконати завдання (оцінка НО), у ОГ та ГП становила 1 та 2 дитини відповідно. У ході тестування по 2 дитини ОГ та ГП відмовлялися виконувати будь-які дії, запропоновані реабілітологом.

По завершенню експериментального дослідження при оцінці психомоторного розвитку дітей за шкалою DDST були зафіксовані наступні дані: оцінку В у ОГ та ГП отримали 5 та 4 дитини відповідно. Зростання їх кількості відбулося за рахунок зменшення кількості учасників обох груп (з 4 до 3-ох), які не змогли справитися із поставленими завданнями (НВ) та відмовилися виконувати будь-які завдання. Кількість учасників, котрі не мали можливості виконати запропоновані дії, наприкінці дослідження залишилась без змін.

Отримані дані свідчать про підвищення рівня психомоторного розвитку досліджуваних: соціальної сфери, мовлення, загальної та дрібної моторики. Динаміка показників психомоторного розвитку дітей за DDST представлена на Рис. 1.

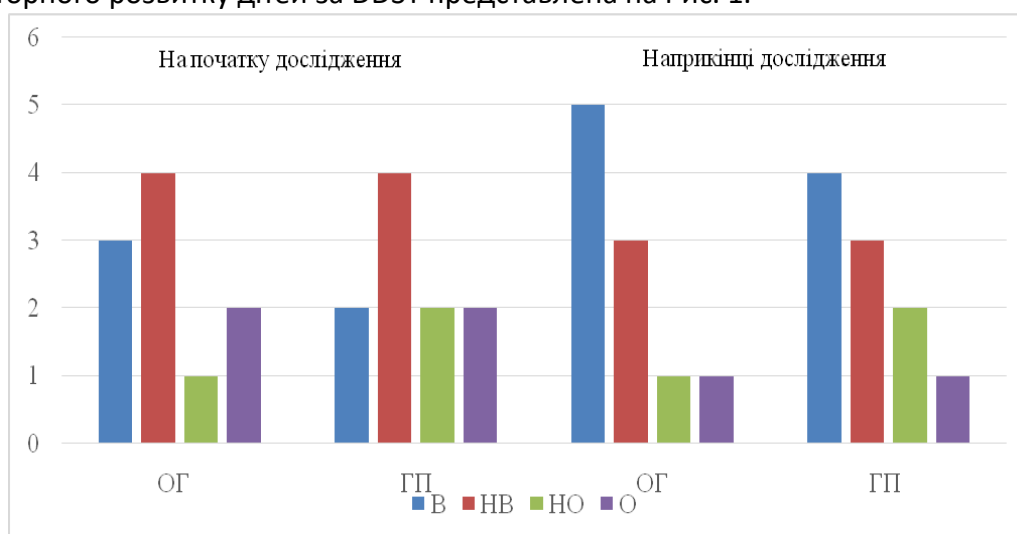


Рис. 1. Динаміка показників психомоторного розвитку дітей за допомогою DDST, кількість дітей

Оцінювання моторних навичок та комунікативних здібностей проводили за шкалою AIMS. Особливу увагу звертали на те, скільки часу дитина проводить у певному вихідному положенні: лежачи на животі, лежачи на спині, сидячи та стоячи. Кількість балів прирівнювалась до кількості поз, у яких перебуває дитина. Так, в ОГ середня кількість балів у положенні лежачи на животі становила 11, у той час, як у ГП – 12 балів. Подібним був результат перебування у вихідному положенні лежачи на спині: в ОГ – 7 балів, а у ГП – 8. Сидіння було оцінено в 4 бали у ОГ та у 2 – у ГП. Це обумовлено тим, що не кожна дитина була спроможна прийняти дану позу через свої вікові можливостей. Найменша кількість положень зареєстрована під час вставання, цей показник однаковий в обох групах і становить 2 бали. Загальна оцінка в ОГ та ГП виявилася ідентичною – 24 бали. Усіх учасників дослідження віднесли до 25-го перцентиля за даною шкалою.

Результативність запропонованої програми підтверджується отриманими наприкінці експерименту даних, згідно яких кількість балів за утримання: положення лежачи на животі в ОГ збільшилася на 63,6%, у той час, як у ГП – на 25%. Оцінка за позування у вихідному положенні лежачи на спині зросла на 71,4% в ОГ та на 37,5% у ГП. Кількість балів, що була нарахована під час перебування дитини у положенні сидячи, зросла на 75% в ОГ та на 100% у ГП. Приріст балів у положенні вставання становив 50% в ОГ, натомість у ГП цей показник

залишився без змін. Сумарна кількість балів, яку отримали діти ОГ та ГП за всі виконані завдання зросла у ОГ до 40, а у ГП до 32 балів, що становить 66,6% в ОГ та на 33,3% відповідно (Табл. 1).

Враховуючи вищезазначені результати та порівнюючи їх з еталонними величинами, можна зробити висновок про те, що застосування розробленої програми ФТЕ дозволило збільшити сумарну оцінку тестування на 66%. Досягнутий результат вважається нормою.

Таблиця 1. Оцінка моторних навичок та комунікативних здібностей за шкалою AIMS на початку дослідження та по його завершенню

Положення	ОГ (n=10)		ГП (n=10)	
	Кількість балів		Кількість балів	
	на початку	наприкінці	на початку	наприкінці
На животі	11	18	12	15
На спині	7	12	8	11
Сидіння	4	7	2	4
Вставання	2	3	2	2
Загальна кількість балів	24	40	24	32

Шкала GMDS оцінює дитину одночасно в різних областях: моторика (А), соціальна адаптація (В), слух і мовлення (С), координація (D – «очі та руки»), здатність до гри (F). Оцінка здійснюється в балах, відповідно до кожної графі, що міститься у шкалі, після чого отримані результати порівнюються з нормативами.

Аналізуючи отримані дані можна стверджувати, що за вихідними даними обидві групи отримали подібні результати. І ОГ, і ГП здобула найменшу кількість балів за показником А, що оцінює моторику. Найвищою в обох групах була оцінка за графою F, яка свідчить про здатність до гри. Загальний середній бал у ОГ та ГП становить 75,6 та 75,2 відповідно.

Отримані дані вказують на те, що психомоторний розвиток дітей ОГ та ГП відповідає віку шестимісячних дітей. Враховуючи дані антропометричних вимірювань, слід підкреслити, що обидві групи, середній вік яких складає від $\pm 5,5$ до $\pm 6,3$ місяців, перетинають початкову межу психомоторного розвитку дитини у 6 місяців. Проте, отримана сума балів не відповідає віку деяких учасників дослідження, вік яких становить 4, 7, 8 і 9 місяців, тому розвиток усіх досліджуваних показників психомоторного розвитку є особливо актуальним для даної вікової категорії дітей.

У процесі впровадження реабілітаційної програми ми спостерігали наступні зміни у інтелектуальному та психомоторному розвитку досліджуваної категорії дітей (Рис. 2). Приріст показників відбувся за кожною із оцінок. Так, середня оцінка за шкалою А в ОГ зросла на 34,3 %, а у ГП – лише на 1,3%. Зросли показники ОГ на 2,9% за графою В, у той час, як у ГП значного їх приросту не спостерігалось (0,3%). По завершенню дослідження, середня оцінка за шкалою С в ОГ зросла на 5,7 %, а у ГП – на 6%. Найбільший приріст показників спостерігається за графою D: в ОГ –42,5%, у ГП –40,6%. Не менш значущою стала оцінка за шкалою F. В основній групі її значення збільшилося на 25,9%, а у ГП – на 27,1%. Загальний середній бал ОГ зріс на 23,5%, у той час як ГП – на 16 %.

Гіпоксично-ішемічне ураження головного мозку посідає провідне місце в структурі перинатальної патології нервової системи у новонароджених. Своєчасна комплексна фізична терапія для дітей з ПІУ ГМ спрямована на відновлення порушених функцій, уникнення ускладнень та запобігання розвитку інвалідності. Була розроблена комплексна програма фізичної терапії та ерготерапії, яка включала: лікувальний масаж, антигравітаційну гімнастику та сенсорну інтеграцію.

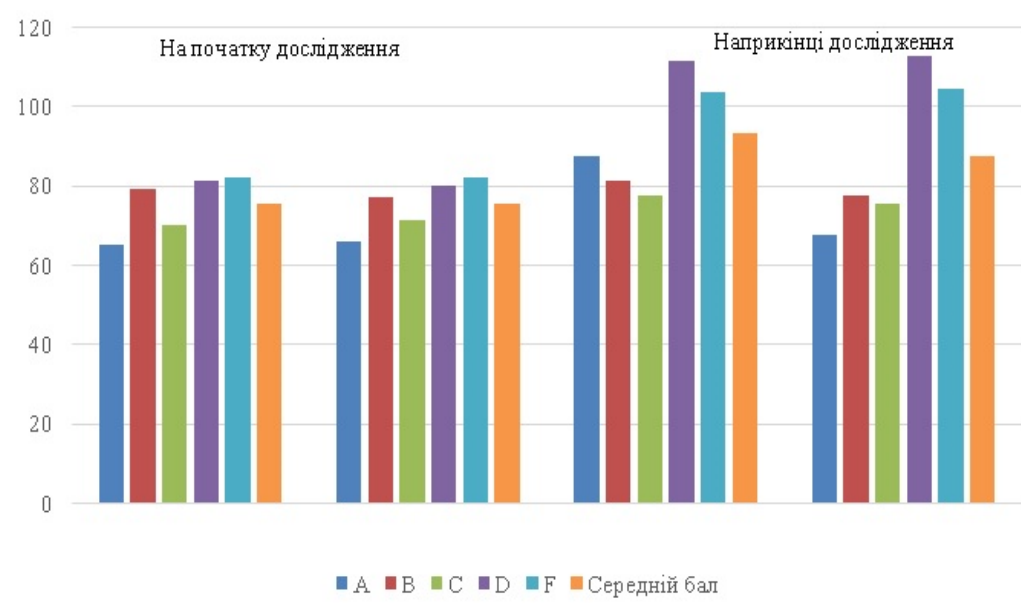


Рис. 2. Динаміка показників за шкалою GMDS, бали

Оцінка ефективності реабілітаційної програми здійснювалася на основі: скринінг-тесту нервово-психічного розвитку дітей «Denver II», шкали моторного розвитку Альберта, шкали психомоторного розвитку Гріффітс, оцінки фізичного розвитку.

Вимірювання та розрахунок антропометричних показників дозволили зафіксувати прискорення ростових процесів та збільшення маси тіла. В процесі впровадження програми фізичної терапії центильний інтервал росту становив 50-75%, а центильний інтервал ваги досягнув 75% – у хлопців та 50-75%–у дівчат. Згідно шкали DDST відмічалось збільшення кількості дітей, які виконали завдання тесту від 2 до 5 в ОГ та до 4 у ГП. За результатами тестування по шкалі AIMS виявлено, що загальна сума балів по завершенню експерименту зросла в обох групах, але найбільшого приросту було (66,6%) досягнуто у дітей ОГ, які набрали 40 балів, натомість діти ГП набрали 32 бали, що становить лише 33,3%. Заключне тестування за шкалою GMDS продемонструвало приріст показників за кожною з оцінок. Відповідно зріс і середній бал: в ОГ до 92,9 балів, а у ГП – до 87,3 балів.

Література:

1. Бомбардірова Е. П. Лікування та реабілітація перинатальних уражень нервової системи у дітей перших місяців життя / Е. П. Бомбардірова // Лікуючий лікар. – 2005. – № 2. – С. 66-67.
2. Кукушкин Д. В. Фактори ризику і структура задержек нервно-психического развития детей раннего возраста: возможности и перспектива диагностики на педиатрическом участке / Д. В. Кукушкин // Педиатрическая фармакология. – 2008. – № 3 (23). – С. 26-29.
3. Изюмец О. И. Гипоксически-ишемические повреждения центральной нервной системы у новорожденных. Современная педиатрия. – 2013. – № 6. – С. 136-139.
4. Козьявкін В. І. Метод Козьявкіна – система інтенсивної нейрофізіологічної реабілітації: посібник реабілітолога / В. І. Козьявкін. – 2011. – С. 21.
5. Сухан В. С., Дичка Л. В. Лікувальна фізична культура при захворюваннях і травмах нервової системи / В. С. Сухан, Л. В. Дичка. – Ужгород, 2014. – С. 51.
6. Налобина А. Н. Методика лечебной гимнастики для детей первого года жизни, перенесших церебральную ишемию I-II степени в перинатальном периоде / А. Н. Налобина // Лечебная физкультура и спортивная медицина. – 2011. – №2 (34). – С. 30.
7. Шрейдер Т. Ф., Федорова Г. В., Якименко С. Н. (2016). Эффективность использования комплексной физической реабилитации детей грудного возраста с перинатальным поражением центральной нервной системы / Т. Ф. Шрейдер, Г. В. Федорова, С. Н. Якименко // Казанский медицинский журнал. – 2016. – Том 97, № 3 – С. 341-346.

3.5. Psychological security of personality of cadets and students NUCDU

3.5. Психологічна безпека особистості курсантів та студентів НУЦЗУ

Проблема психологічної безпеки в сучасному світі відноситься до однієї з найбільш актуальних, що зумовлено впливом численних чинників, що порушують стан психологічної безпеки та психологічної захищеності особи. Поняття «психологічна безпека освітнього середовища» розглядається як стан цього середовища, що створює захищеність, сприяюче задоволенню потреб в особистісно-довірчому спілкуванні, що забезпечує психічне здоров'я включених до неї учасників.

Психологізація освітнього середовища з метою збереження та зміцнення здоров'я її учасників, створення в освітній установі безпечних умов праці і навчання, захист від усіх форм дискримінації можуть виступати альтернативою агресивності соціального середовища, психоемоційному та культурному вакууму, наслідком яких є зростання соціогенних захворювань.

Важливою умовою зниження числа стресових ситуацій у педагогічній практиці є забезпечення психологічної безпеки при взаємодії учасників освітнього середовища.

Питаннями моделювання та проектування освітнього середовища, в якій особистість затребувана і вільно функціонує, а її учасники відчують захищеність і задоволення основних потреб займалися Я. А. Коменський, І. А. Баєва, М. Р. Битянова, Н. В. Груздева, Г. А. Мкртичан, В. І. Панов та ін.

Істотний інтерес для вивчення соціально-психологічної безпеки освітнього середовища представляють роботи К. А. Абульхановой-Славської, А. Г. Асмолова, Р. Б. Гітельмахера, А. І. Донцова, А. Л. Журавльова, Н. Л. Іванової, М. М. Кашапова, В. І. Назарова, Б. Д. Паригін, В. В. Рубцова, А. Л. Свенціцького, І. Р. Сушкова, Н. П. Фетіскіна та ін.

А в даний час ряд авторів (В. П. Єрьомін, Н. Д. Захарін, В. П. Кобзев, Н. В. Махров, С. Г. Плещіц) ставлять питання про необхідність розширення дослідницького простору психологічної безпеки освітнього середовища, включаючи в нього не тільки "безпека освіти", а й «безпека науки».

У сучасному суспільстві можна виділити принципово нові небезпеки, які актуалізують потребу в психологічному осмисленні проблеми безпеки і ставлять завдання інтенсифікації психологічних досліджень і практичних розробок в цьому напрямку.

Це, насамперед, стрімкість змін соціального життя, політичного й організаційного пристрою, що веде до втрати звичної системи соціальної захищеності і, як наслідок, знижує психологічний ресурс опірності людини негативних впливів середовища.

Сьогодні є підстави говорити про виникнення нового напрямку – психологія безпеки, в рамках якого виконуються як теоретичні дослідження, так і практичні програми по забезпеченню психологічної безпеки людини в різних соціальних сферах.

У психологічного осмислення проблем безпеки, як і психологічної галузі науки в цілому, відповідно до відомим визначенням, далеке минуле, але близька історія.

Давньогрецький філософ Платон вживає термін «безпека» як відсутність небезпеки або зла для людини. Безпека трактується як спокійний стан духу людини, яка вважає себе захищеною від будь-якої небезпеки.

У наукових і політичних колах західноєвропейських держав поняття «безпека» завдяки філософським концепціям Т. Гоббса, Д. Локка, Ж. Ж. Руссо, Б. Спінози та інших мислителів XVII-XVIII ст. означає стан спокою, який з'являється в результаті відсутності реальної небезпеки (як фізичної, так і моральної).

Для людини такий стан означало приватну, особисту безпеку, а стан держави, при якому його громадянам нічого побоюватися, становило громадську безпеку. Громадські діячі

того часу включають безпеку як головну мету суспільства з республіканським політичним устроєм, використовують уявлення про безпеку у визначенні політичної свободи.

«Обговорюючи проблему небезпеки і безпеки в її різних аспектах, – зазначає М. Ю. Зеленков, – варто згадати одне з положень «Філософії життя», що отримала помітний розвиток в кінці ХХІ – початку ХХ століть. Суть цього положення в тому, що людина приречена на небезпеки, бо життя небезпечна у всіх своїх проявах. Той, хто хотів би забезпечити її повну безпеку, просто не мав народитися. Більше того, небезпека є необхідним чинником еволюції всього живого, прогресу громадського життя. Вона вимагає активного і творчого ставлення до навколишнього природного і соціального середовища, пошуку відповідних заходів і механізмів».

Слід зазначити, що у радянський період сфера безпеки була монополією держави як в політичному, практичному, так і в теоретичному планах. Головним об'єктом політики держави того часу виступала безпека держави.

Останнім часом з'явилися роботи, присвячені осягненню природи безпеки і розробці основ філософської концепції безпеки як підстави для теоретичного дослідження безпеки соціальних систем і побудови теорії безпеки. Автор навчального посібника «Філософія безпеки» Н. Н. Рибалкін здійснює спробу філософського осмислення природи безпеки і формулює передумови становлення філософії безпеки. Він відзначає існування двох основних підходів до розуміння природи безпеки.

Перший підхід виходить з об'єктивного розуміння безпеки «як прояви об'єктивної природи об'єктів або – в системній термінології – різних матеріальних і соціальних систем зберігати стійкість (свою якість) при різних негативних явищах». Саме в цьому контексті безпека розуміється як певна властивість (атрибут) системи. Другий підхід, на думку даного автора, ґрунтується на визнанні суб'єктивного характеру феномена безпеки. «У цьому зв'язку виникнення феномена безпеки розглядається в контексті забезпечення захищеності, як самої людини, так і інтересів, цінностей і т. д.».

Обидва підходи дають нам підстави для переходу до обговорення безпосередньо психологічних аспектів безпеки. Перший – з погляду психологічних характеристик середовища, оточення людини, фізичного і соціального світу; другий – з точки зору внутрішньої сутності людини, її психічного світу, психологічних ресурсів, цінностей, переживань, відносин.

У психології категорія безпеки активно використовується з середини ХХ-го століття, насамперед у роботах дослідників гуманістичної орієнтації. Так, А. Маслоу, один з основоположників гуманістичної психології, в своїй ієрархічній моделі мотивації виділяв в числі п'яти «рівнів» потреба в безпеці та захисті. Сюди включені потреби: в організації, стабільності, в законі і порядку, в передбачуваності подій, в свободі від таких загрозливих сил, як хвороба, страх і хаос. Маслоу припустив, що певні типи невротичних дорослих людей в основному мотивовані пошуком безпеки.

Е. Фромм, розвиваючи «гуманістичний психоаналіз», говорив про те, що небачена свобода від жорстких соціальних, політичних, економічних і релігійних обмежень потребувала компенсації у вигляді почуття безпеки і почуття приналежності до соціуму. Він вважав, що ця прірва між свободою і безпекою стала причиною безприкладних труднощів у людському існуванні.

К. Хорні в своїй соціокультурній теорії особистості виділила дві потреби дитинства: потреба в задоволенні і потреба в безпеці. Головною в розвитку дитини є потреба в безпеці (бути коханим, бажаним і захищеним від небезпеки і ворожого світу), при незадоволенні якої у дитини розвивається базальна ворожість, що проявляється у відчутті страху, почуттях беспорядності, провини, які проявляються у відносинах з оточуючими, як у сьогоденні, так і в майбутньому.

У вітчизняній психології поняття психологічна безпека починає використовуватися у зв'язку з професійною діяльністю людей в предметній сфері наприкінці 70-х – початку 80-х років у зв'язку з інтенсивним розвитком промислової соціальної психології. Вперше в розгорнутому вигляді воно зустрічається в роботі М. А. Котика і зачіпає психологічні аспекти безпеки, що забезпечують профілактику нещасних випадків на виробництві, тобто розробляються в рамках психології праці та інженерної психології. Важливо відзначити, що у другому виданні своєї книги автор пропонує розглядати психологію безпеки «не як розділ психології праці, а як деяку галузь психологічної науки, що вивчає психологічний аспект безпеки в різноманітних видах діяльності» Він вважає, що психологія безпеки діяльності зачіпає такі галузі психологічної науки, як психологія праці, інженерна психологія, військова психологія, авіаційна і космічна психологія, спортивна психологія, медична психологія, судова психологія, вважаючи, що «існує одна спільна психологічна проблема – вивчення закономірностей діяльності людини в умовах фізичної небезпеки та пошук шляхів забезпечення її безпеки, в центрі якої стоїть людина – суб'єкт діяльності, а не її знаряддя».

М. А. Котик дає визначення пропонованої їм галузі психології: «Психологічна безпека – це галузь психологічної науки, що вивчає психологічні причини нещасних випадків, що виникають у процесі праці та інших видів діяльності, і шляхи застосування психологічних знань для підвищення безпеки діяльності»

Питання, пов'язані з аналізом психологічної безпеки, розглядаються дослідниками в контексті інформаційної та організаційної безпеки (Г. В. Грачов, В. Є. Лепский, Т. С. Кабаченко). У цьому підході психологічна безпека «розглядається поряд з фізичною безпекою як самостійне вимірювання в загальній системі безпеки». Інформаційно-психологічна безпека розуміється як стан захищеності окремих осіб та (або) груп від негативних інформаційно-психологічних впливів (Е. Н. Волков, Є. Л. Доценко, Ю. М. Поліщук). У дослідженнях розглядаються соціально-психологічні аспекти безпеки, в основі яких лежить конфліктологічний підхід (А. Н. Сухов), психологічні характеристики безпеки в освіті (І. А. Баєва, В. А. Дмитрієвський).

Психологія безпеки вивчає соціопсихологічні явища і процеси, що виникають в ситуації загрози (небезпеки). Ми розглядаємо структуру психології безпеки в двох аспектах: психологічна безпека середовища та психологічна безпека особистості. Психологічна безпека середовища в соціальному аспекті визначена як стан середовища, вільний від проявів психологічного насильства у взаємодії людей, сприяє задоволенню основних потреб в особистісно-довірчому спілкуванні і створює референтну значущість середовища і, як наслідок, забезпечує психологічну захищеність її учасників.

Однією з перспективних завдань психологічної безпеки особистості є узагальнення і синтез підходів з метою визначення інтегративного ресурсу психологічних можливостей людини, що забезпечують його безпеку. Не менш важливими завданнями є пошук і розробка діагностичного інструментарію, що вимірює даний ресурс; виявлення вікових, гендерних, професійних особливостей, що впливають на психологічні аспекти безпеки людини.

Освітнє середовище навчального закладу є частиною життєвого середовища людини. Навчальні заклади, як соціальний інститут суспільства, є суб'єктами безпеки та важливість вивчення психологічної безпеки особистості в освітньому середовищі полягає в тому, що навчальний заклад (школа, професійне училище, технікум, ВУЗ), включаючи в себе підростаюче покоління, дорослих і сім'ю, здатні будувати свою локальну (приватну) систему безпеки як через навчання і виховання, так і через рішення завдань розвитку.

Психологізація освітнього середовища з метою збереження і зміцнення здоров'я її учасників, створення в освітній установі безпечних умов праці і навчання, захист від усіх форм дискримінації можуть виступати альтернативою агресивності соціального середовища, психоемоційному та культурного вакууму, наслідком яких є зростання соціогенних

захворювань. Важливою умовою зниження кількості стресових ситуацій у педагогічній практиці є забезпечення психологічної безпеки при взаємодії учасників освітнього середовища.

Психологічна безпека освітнього процесу у ВНЗ – це стан захищеності студента від погроз його достоїнству, душевному благополуччю, позитивному світосприйняттю.

Факторами ризику в освітньому середовищі можуть бути:

- Недостатнє забезпечення викладацькими кадрами, матеріально-технічної бази,

- Низька активність учнів і педагогів,

- Несформованість соціальних і практичних навичок, умінь і досвіду, рівень виховання і культури.

Сукупність цих факторів являє собою загрозу освітньої середовища і розвитку особистості її учасників.

Однією з істотних психологічних небезпек в освітньому середовищі є незадоволення важливою базовою потреби в особистісно-довірчому спілкуванні, і як наслідок – схильність до деструктивної поведінки, негативне ставлення до освітніх установ і порушення психічного і фізичного здоров'я.

Розглянемо детальніше цю проблему. Термін "середовище" має досить широке вживання, тим не менше, воно не має чіткого і однозначного визначення у світі науки як поняття. У самому загальному сенсі "середовище" розуміється як оточення. Причому поряд з цим активно використовується ще цілий ряд термінів: "Середа людини", "середа людей", "людська середу", "навколишнє середовище", "життєве середовище", "людське оточення" і т.п.

Середа людини охоплює сукупність природних (фізичних, хімічних, біологічних, просторово-предметних) і соціальних (освітніх, інформаційних, міжособистісних, архітектурних) чинників, які можуть впливати прямо або побічно, миттєво або довготривале на життя і діяльність людей.

Г. П. Щедровицький зауважує, що у взаєминах організму з середовищем "два члени відносини вже не рівноправні"; суб'єкт є первинним і вихідним, середа задається по відношенню до нього, як щось, що має ту чи іншу значимість.

У численних дослідженнях середовища незмінно підкреслюється, що середовище впливає на поведінку і розвиток людини. Проте в дослідженнях особистості принцип обліку середовища найчастіше тільки декларується. Б. Г. Ананьєв, аналізуючи соціальні ситуації розвитку особистості та її статус, писав: «Особистість ... не тільки продукт історії, але і учасник її живого руху, об'єкт і суб'єкт сучасності. Бути може, найбільш чутливий індикатор соціальних зв'язків особистість – її зв'язок із сучасністю, з головним соціальним рухом свого часу. Але цей зв'язок тісно змикається з більш приватним виглядом соціальних зв'язків, з людьми свого класу, соціального прошарку, професії і т. д., однолітками, що, з якими дана особа разом формувалася».

Проблема «людина й середовище» набуває в сучасних умовах принципово новий зміст. Актуалізація її обумовлюється «рівнем розвитку сучасного суб'єкта, адаптуючого, організуючого, відтворюючого різні рівні і сфери середовища свого проживання». Незважаючи на надзвичайно широке вживання поняття «середовище», воно не має єдиного значення. Автори використовують ряд термінів: «Середа людини», «середа людей», «людська середа», «середовище проживання».

Психологічний словник дає наступне визначення: «Середовище – навколишні людини громадські матеріальні та духовні умови його існування та діяльності. Середовище в широкому сенсі (макросередовище) охоплює суспільно-економічну систему в цілому – продуктивні сили, суспільні відносини та інститути, суспільну свідомість і культуру. Середовище у вузькому сенсі (мікросередовище) включає безпосереднє оточення людини».

Середина людини складається із сукупності природних (фізичних, хімічних, біологічних) і соціальних факторів, які можуть впливати на життя і діяльність людей прямо або побічно. Людина існує одночасно в різних середовищах: у світі речей і предметів – як фізичне тіло, у світі живої природи – як жива істота, у світі людей – як член суспільства. Впливу навколишнього середовища людина піддається кожну мить. Світло, звук, тепло, їжа, ліки, гнів, доброта, строгість – все це і багато іншого «може слугувати задоволенню основних біологічних і психологічних потреб, заподіювати серйозну шкоду, привертати увагу або ставати компонентами навчання». Деякі впливи середовища носять тимчасовий характер, інші види впливу середовища можуть бути постійними. Займаючись психологією розвитку, Г. Крайг прийшла до висновку, що середовища впливу можуть затримувати або стимулювати ріст організму, породжувати стійку тривогу або сприяти формуванню складних навичок. Важливо, що середина містить в собі можливості, які можуть стати реальністю за умови активності людини. «Люди – не пасивні істоти, що знаходяться у владі стимулів; вони значною мірою творять світ, у якому самі живуть і діють». Категорія можливістю підкреслює активний початок людини-суб'єкта в освоєнні навколишнього середовища.

Взаємозалежність людини і середовища розглядається і в рамках екзистенціальної психології, що відбивається в її фундаментальному понятті "буття-в-світі" (Dasein). Стан буття-в-світі означає те, що люди не мають існування, окремого від світу, і світ не має існування, окремого від людей. М. Бос неодноразово підкреслює нероздільність буття-в-світі. Світ людського існування обмолоту три простори:

- 1) біологічне або фізичне оточення, або ландшафт (Umwelt);
- 2) людське середовище (Mitwelt).
- 3) самої людини, включаючи тіло (Tigenwelt).

Л. Бінсвангер вважає, що люди прагнуть вийти за межі того світу, суть якого складають. Мається на увазі прагнення реалізувати свій потенціал, щоб жити автентично життям, для чого необхідно змінити середовище. Нерідко людина веде не автентичне існування, дозволяючи середовищі управляти собою.

Протягом останніх десятиліть поняття «освітня середина» та похідні від нього розробляються педагогами, психологами, вченими, як у нашій країні, так і за кордоном. Філософські аспекти поняття "освітнє середовище" розглянуті в роботах колективу вчених Інституту педагогічних інновацій РАН (В. І. Слободчиков, Н. Б. Крилова, В. А. Петровський, М. М. Князева та ін.), Психологічні – в роботах співробітників Інституту психології РАО (В. В. Рубцов, В. І. Панов, Б. Д. Ельконін).

Освітня середина є частиною соціокультурного середовища і визначається дослідниками як комплекс спеціально організованих психолого-педагогічних умов, в результаті взаємодії з якими відбувається розвиток і становлення особистості. Проблемі вивчення освітнього середовища в сучасній психолого-педагогічній науці присвячено досить багато досліджень. Розглядаються взаємозв'язку культурологічних моделей освіти і освітнього середовища (А. Г. Асмолов, В. С. Біблер, Е. В. Бондаренко, В. П. Зінченко, С. Ю. Курганов, В. В. Серіков, І. С. Якіманская та ін.); проведено аналіз досліджень відносин "дитина-середина" (А. А. Бодалев, В. А. Караковській, Л. І. Новіков, Н. М. Смірнов та ін.); наводяться результати дослідження взаємозв'язків предметного середовища школи та емоційного стану її суб'єктів (Д. Ж. Маркович, Н. Н. Моисеев, К. Ріттельмайер, М. Лерноушек, Р. Штейнера та ін.).

Ідеї розвитку соціокультурного освітнього середовища докладно розробляються як у дослідженнях вітчизняних психологів і педагогів (Л. Н. Бережнова, Е. Д. Дніпров, Г. А. Ковалев, А. Б. Орлов, В. І. Панов, В. В. Рубцов, С. В. Тарасов, Д. Б. Ельконін, В. А. Ясвин та ін.), так і в зарубіжній психології (А. Бандура, У. Бронфенбеннер, К. Левин, К. Роджерс та ін.).

У сучасних дослідженнях освітнє середовище розглядається як категорія, яка характеризує розвиток дитини, що визначає її цільове та функціональне призначення, в

контексті предметності культури суспільства (В. І. Слободчиков); аналізується виділений для досліджень конкретний аспект освітнього середовища (В. Г. Воронцова, О. С. Газман, Е. І. Казакова, В. А. Козирев, А. А. Макареня, А. П. Тряпичина, Д. І. Фрумін та ін.); здійснюється оцінка освітнього середовища школи з погляду її ефективності як соціальної системи (В. А. Бухвалов, Я. Г. Плінер; К. Маклафіні ін.).

Виниклий в 90-х роках ХХ століття інтерес вітчизняних психологів до проблем психологічної екології, що займається вивченням особистості в реальному житті, привів до продуктивним підходам у визначенні психолого-педагогічного сенсу освітнього середовища (С. Д. Дерябо, Е. А. Клімов, Г. О. Ковальов, В. П. Лебедева, В. А. Орлов, В. Н. Панов, В. В. Рубцов, В. А. Ясвин та ін.). З тих пір, як освітнє середовище стала предметом психолого-педагогічного дослідження, були вивчені її рівні (Г. А. Ковалев, В. А. Ясвин та ін.); проаналізована структура (Е. А. Клімов, М. В. Копосова, А. М. Сідоркіна, Е. Н. Саленко, С. В. Тарасов та ін.); виявлено типи (І. В. Ермакова, Н. А. Лабунская, Т. Менг, Н. І. Поліванова, М. Раудсепп, І. М. Улановская та ін.); намічені підходи до її діагностики та експертизи (С. Л. Братченко, В. А. Бухвалов, А. В. Гавріленко, С. Д. Дерябо, І. В. Кулешова, В. П. Лебедева, В. А. Орлов, В. І. Панов, Н. Л. Селіванова та ін.).

Г. Ю. Беляєв, аналізуючи зміст визначень і описів освітнього середовища, визначає її загальні, типологічні ознаки, що виділяються більшістю дослідників:

1. Освітня середа будь-якого рівня є складені об'єктом системної природи. Системність цього педагогічного об'єкта, що перетворює сукупність зовнішніх умов навчання, виховання та розвитку дітей (і дорослих!), Обумовлює застосування принципів природо- і культуровідповідності в безперервному дидактичному "єдність і боротьбу протилежностей" навчання та навчання, формування і становлення, впливу і взаємодії, традиції та розвитку (сорозвитку) спільності, колективу та особистості.

2. Освітня середа існує як певна соціальна спільність, розвиваюча сукупність людських відносин в контексті конкретної соціокультурно-світоглядної адаптації людини до світу, а світу – до людини. Форми адаптації історично відображають склалися сфери суспільної свідомості (релігія, наука, мистецтво і т.д.) І носять класовий, ідеологічний, культурний, цивілізаційний характер.

3. Освітня середа володіє широким спектром модальності, формуючої різноманітність типів і видів локальних середовищ різного, часом і взаємовиключення якості.

4. Освітня середа є процесом діалектичної взаємодії соціального, просторово-предметного і психодідактичного компонентів, утворюючи систему координат провідних умов, впливів і тенденцій розвитку дитячої, дорослої та дитячо-дорослої спільності (спільнот) в параметрах ширшої соціокультурного середовища, що співвідносить з якістю життя, з якістю середовища проживання.

5. Освітня середа може виступати не тільки як умову, але і як засіб виховання (як суспільне явище), навчання (як предмет спільної педагогічної діяльності) та розвитку (соціального індивіда в особистість, спільності в суспільство).

Крім того, Г. Ю. Беляєв підкреслює, "що," потрапляючи "в різні освітні середовища," проявляючись "в цих середовищах або формуючи їх, одні й ті ж педагогічні та виховні системи неоднаково і неоднозначно" видають "у педагогічний процес свої характеристики" При цьому автор вважає, що освітні середовища векторного за визначенням. І таким вектором змін (стихійної або свідомої еволюції, інволюції ("згортання") і революції (якісно-стрибокподібних перетворень) найчастіше (судячи з історико-педагогічному досвіду) виступає культурно-поведінкові стереотипи всіх учасників освітнього процесу, так званий стереотип "відтворення самого людини".

Ставлячи за мету моделювання освітніх середовищ, і підкреслюючи важливість пошуку сутнісних їх характеристик, В. А. Ясвин відзначає, що найбільш точним, на його думку, є

визначення типології освітніх середовищ Я. Корчака: "Ступінь допустимості спрощень залежать від відповідної гіпотези, на основі якої створюється дана модель".

Ясвин В. А. розуміє під освітнім середовищем (або середовищем освіти) систему впливів і умов формування особистості по заданому зразку, а також можливостей для її розвитку, що містяться в соціальному і просторово-предметному оточенні.

У даному визначенні освітнього середовища та її структури акцентується її значення, пов'язане з процесом формування особистості учня за певним зразком. Структура освітнього середовища включає в себе, як вважає Ясвин В. А. три базові компоненти:

- Просторово-предметний; просторово-предметні умови та можливості здійснення навчання, виховання та соціалізації дітей,

- Соціальний; простір умов і можливостей, яке створюється в міжособистісному взаємодії між суб'єктами навчально-виховного процесу (учнями, педагогами, адміністрацією, батьками, психологами та іншими,

- Психодидактичний; комплекс освітніх технологій (змісту і методів навчання і виховання), побудованих на тих чи інших психологічних і дидактичних підставах.

У відповідності з цими компонентами будується проектування та моделювання (конкретизація для даного класу, школи) освітнього середовища як системи можливостей, що відповідають потребам пізнавального і особистісного розвитку учнів.

Основною причиною, що обумовило активне введення в психологію утворення поняття «освітня середа», є на наш погляд, зміна вихідних підстав побудови сучасних освітніх технологій. Мова йде про те, що в даний час активно відбуваються:

- Зміна освітніх парадигм, тобто тих вихідних дидактичних і психологічних підстав, на яких побудовані зміст і методи навчання, характерні для даної освітньої технології,

- Зміна цілей навчання, зміна уявлень про розвиток здібностей учнів у ході навчання.

Освітні процеси зводяться до взаємодії підсистем середовища через діяльність людини і створенню в просторі та часі характерних для даного навчального закладу стійких структур, що реалізують цю діяльність та що впливають на розвиток особистості.

Питання психоемоційного сприйняття освітнього середовища перегукуються з концепцією середовища як місця людського існування К. Норберга-Шульца, яка пов'язана з філософським вченням одного з основоположників філософії екзистенціалізму М. Хайдеггера. Висунута Норберга-Шульцем концепція розуміння взаємодії людини з середовищем заснована на реакції особистості на ситуацію, як продукт розвитку взаємодії індивіда з його оточенням.

Учень не просто проникає в навколишній світ, але досягає різні світи, що є відображенням сучасного і минулого людського досвіду акумульованого в даному конкретному навчальному закладі. В якості інтегративної цінності освітнього середовища має виступати сприйняття людиною освітнього простору навчального закладу як "свого". Психологічний зміст такого сприйняття визначається через взаємозв'язок дійсно реального освітнього простору з нереальним уявним, бажаним. Історично, правомірно говорити про *GeneusLocī* (дух місця). Представляється виправданим, що *GeneusLocī* визначає психоемоційні характеристики навчального закладу, викликає у людини певні асоціації і надає опосередкований вплив на поведінку людини вже у відповідності з духом місця. Дух місця - це поняття включає в себе спадкоємність і традиції навчального закладу.

Для сприйняття середовища, в тому числі і освітньої, характерний надсумарний ефект, що полягає в тому, що:

- Середа не має певних, твердо фіксованих рамок у часі та просторі,

- Середа впливає на всі почуття, і інформацію про середовище ми отримуємо з поєднання даних всіх органів,

- Середа дає не тільки головну, але й периферійну інформацію,

- Середя містить завжди більше інформації, ніж ми здатні свідомо зареєструвати і зрозуміти,
- Середя сприймається в тісному зв'язку з практичною діяльністю; сприйняття пов'язане з дією і навпаки,
- Будь-яка середя поряд з фізичними і хімічними особливостями володіє психологічними і символічними значеннями,
- Навколишнє середовище впливає як єдине ціле. "(В. Ясвин)

Термін "перенасиченість середовища" вперше застосував соціолог Г. Зіммель, який на прикладі міського середовища показав, що перенасиченість заважає сприйняттю нових імпульсів, розпорошуючи сили при вирішенні приватних і дрібних проблем середовища. У такій ситуації включається своєрідний захисний механізм у системі сприйняття – габітуація – яка привчає організм до впливу ідентичних імпульсів. У перенасиченої середовищі, як показав американський психолог Д. Д. Міллер, людина не сприймає, що не концентрує, усуває другорядну інформацію. У такому випадку не виключена можливість втрати важливої в освітньому сенсі інформації. З іншого боку, наповненість середовища одноманітними, монотонними елементами знижує можливість визначення меж сприйняття. Бідна, монотонна середовище не здатна задовольнити потребу в різноманітності, звідси впливає, що середя порожня і буде найбільш несприятливою. Логічним постає рішення суб'єкта покинути несприятливе середовище.

Оцінюючи освітнє середовище як нейтральну, учні мають на увазі, що вона на них не впливає, тобто не викликає ніякої психологічної реакції, ні позитивної, ні негативної. Таке уявлення здається дискусійним, адже символічна і естетична цінність сприйняття освітнього середовища індивідуальна, а швидкий ритм життя часто не дозволяє вловити вплив імпульсів середовища. Однак нам видається, що якщо вплив освітнього середовища не усвідомлюється суб'єктом освітнього процесу, це може свідчити про її раціональної організації, яка дає простір творчому розвитку індивіда.

Таким чином, людина, будучи невід'ємним компонентом освітнього середовища, знаходиться в постійній взаємодії з її структурними та психологічними компонентами. Освітня середя розвивається просторово-часовому континууму, який акумулює комплекс об'єктивних компонентів (науково-педагогічні школи, людей, предмети та ін. У взаємозв'язку і взаємодіях їх загальних і особливих властивостей) і суб'єктивні характеристики учасників освітнього процесу (способи міжсуб'єктної взаємодії, вибір переживань, пошук смислів). Інтегративна цілісність освітнього середовища навчального закладу обумовлюється єдиною метою, спільністю функціонування, внутрішньою організацією, забезпечує взаємодію різних структурних і соціальних елементів між собою і з навколишнім середовищем (освітнім середовищем регіону, професійним середовищем)

В даний час розробляються нові підходи до забезпечення психологічної безпеки освітнього простору вищого навчального закладу. На думку Потапової Н. А. психологічна безпека освітнього середовища ВУЗу може розглядатися як захищеність від психологічного насильства у взаємодії її учасників за такими його структурних компонентів як приниження, погрози, недоброзичливе ставлення, ігнорування і примус. Засобом забезпечення психологічної безпеки може виступати загальна задоволеність середовищним характеристиками, до яких можна віднести соціально-психологічну активність суб'єктів освітнього простору, можливість мати свою власну позицію, ініціативу, можливість зберігати особисту гідність і право на повагу, результатом якого є збереження психічного здоров'я викладачів, курсантів та студентів.

У науковій літературі запропонована класифікація з трьох груп психологічних ризиків, що дозволяє здійснювати оцінку рівнів психологічної безпеки освітнього середовища. Першу групу ризиків утворюють ризики психологічного насильства. У другу групу ризиків входить

система взаємин з учасниками освітнього процесу, що перешкоджає задоволенню основних потреб в особистісно-довірчому спілкуванні. Третю групу утворює система міжособистісних відносин з учасниками освітнього процесу, що перешкоджає визнанню референтної значущості освітнього середовища.

Психологічне насильство представляє основну загрозу психологічній безпеці освітнього середовища. Причинами психологічного насильства в освітньому середовищі можуть бути як середовищні умови, так і міжособистісні відносини курсантів, студентів та викладачів. Потапова Н. А. акцентує увагу на освітньому середовищі ВУЗу, де психологічна безпека являє собою одну з її психологічних характеристик, яка стає значущою проблемою в зв'язку з наявним психологічним насильством. Проблему насильства в освітньому середовищі ВУЗу, а, відповідно, і відсутність безпечної освітнього середовища, слід розглядати, як має свої особливості. Автор вказує на безперечну необхідність створення умов психологічної безпеки в освітньому середовищі військових вузів, оскільки саме там здійснюється формування особистості майбутнього офіцера. Разом з тим існує проблема недостатнього дослідження питань створення умов психологічної безпеки освітнього середовища ВУЗу, характеристик її учасників і характеру міжособистісних відносин, призводить до виникнення ситуації, коли в результаті впливу несприятливих психологічних факторів відбувається формування офіцера, нездатного якісно виконувати службово-професійні завдання.

До основних проявів психологічного насильства в освітньому середовищі вищого військового закладу можна віднести: публічне приниження; образа; висміювання; загрози; образливе обзивання; примус робити щось проти свого бажання; ігнорування; неповажне ставлення; недобррозичливе ставлення.

Як зазначає Потапова Н. А. «Причинами психологічного насильства в освітньому середовищі можуть бути як середовищні умови, так і міжособистісні відносини курсантів, викладачів і командирів». У її дослідженнях вказується, зокрема, що недостатня психологічна захищеність освітнього простору військових училищ впливає на збільшенні частоти проявів психологічного насильства, що стає причиною віктимізації військовослужбовців.

Рубцов В. В. і Баєва І. А. відзначають, що тривалий негативний вплив створює емоційне напруження і бажання його послабити провокує пошук сурогатних виходів. Зниження рівня психологічного насильства стає основним напрямком по створенню психологічної безпеки освітнього середовища.

Не менш важливою загрозою освітнього середовища вузу є невизнання референтної значущості освітнього середовища освітньої установи, в слідстві чого, який навчається заперечує цінності і норми навчального закладу. Як зазначає О. Б. Крушельницька «функцію референтного об'єкта, з яким індивід співвідносить себе, може виконувати як група членства або яка-небудь інша група, так і окрема людина (реальний або вигаданий)». Останньою загрозою є відсутність задоволеності в особистісно-довірчому спілкуванні та основними характеристиками процесу взаємодії всіх учасників освітнього середовища.

Іншими словами страждає емоційна складова освітнього середовища, вона досить мізерна, соціально-психологічний клімат несприятливий. Всі цього призводить до таких проблем як: емоційний дискомфорт; небажання висловлювати свою точку зору і думку; неповажне ставлення до себе; втрата особистої гідності; небажання звертатися за допомогою; неухважність до прохань і пропозицій, притуплення емпатійного ставлення до оточуючих людям.

Важливо розуміти, що психологічні загрози, що порушують емоційно-особистісне благополуччя, у свою чергу, роблять негативний вплив на ставлення учнів до освітньої середовищі, зокрема, призводять до негативного емоційного відношення до процесу навчання і порушенню особистісної адаптації.

У роботі Козлової О. В. проведено аналіз зарубіжних досліджень з проблеми психологічних ризиків в освіті. Автор приходить до висновку, що розглянутої проблеми приділяється велика увага з боку наукового співтовариства за кордоном, що пояснюється практичним значенням проблеми психологічного ризику і особливою важливістю для педагогів, психологів, соціальних працівників та інших фахівців, чия діяльність пов'язана з наданням допомоги учням, потрапили у важкі життєві ситуації або страждають різними порушеннями здоров'я.

Важливо розуміти, що загрози психологічної безпеки освітнього середовища ВНЗ зумовлюють зміст самого феномена «психологічної безпеки освітнього простору». Під психологічною безпекою розуміється стан освітньої середовища, вільного від прояву психологічного насильства у взаємодії, що сприяє задоволенню потреб у особистісно-довірчому спілкуванні, що створює референтну значимість середовища і забезпечує психічне здоров'я включених до неї учасників.

У сучасному суспільстві можна виділити принципово нові небезпеки, які актуалізують потребу в психологічному осмисленні проблеми безпеки і ставлять завдання інтенсифікації психологічних досліджень і практичних розробок в цьому напрямку.

Сьогодні є підстави говорити про виникнення нового напрямку – психологія безпеки, в рамках якого виконуються як теоретичні дослідження, так і практичні програми по забезпеченню психологічної безпеки людини в різних соціальних сферах.

Психологізація освітнього середовища з метою збереження і зміцнення здоров'я її учасників, створення в освітній установі безпечних умов праці і навчання, захист від усіх форм дискримінації можуть виступати альтернативою агресивності соціального середовища, психоемоційному та культурного вакууму, наслідком яких є зростання соціогенних захворювань. Важливою умовою зниження кількості стресових ситуацій у педагогічній практиці є забезпечення психологічної безпеки при взаємодії учасників освітнього середовища.

Психологічна безпека освітнього процесу у ВНЗ – це стан захищеності студента/курсанта від погроз його достоїнству, душевному благополуччю, позитивному світосприйняттю. У численних дослідженнях середовища незмінно підкреслюється, що середовище впливає на поведінку і розвиток людини. Проте в дослідженнях особистості принцип обліку середовища найчастіше тільки декларується.

Засобом забезпечення психологічної безпеки може виступати загальна задоволеність характеристиками середовища, до яких можна віднести соціально-психологічну активність суб'єктів освітнього простору, можливість мати свою власну позицію, ініціативу, можливість зберігати особисту гідність і право на повагу, результатом якого є збереження психічного здоров'я викладачів, курсантів та студентів.

3.6. Innovative approaches to training rescuers for high-rescue operations

3.6. Інноваційні підходи підготовки рятувальників до висотно-рятувальних робіт

Сучасна система підготовки рятувальника до роботи на висоті – є дуже складною з багатьма чинниками, містить мету, завдання, засоби, методи, організаційні форми, матеріально-технічні умови, що забезпечують виконання аварійно-рятувальних робіт на висотах, а також організаційно-педагогічний процес підготовки до них.

Тренування – це спеціалізований процес, який ґрунтується на використанні фізичних вправ з метою розвитку та удосконалення здібностей, що зумовлюють готовність спортсмена до здобуття найвищих показників. Тренування має за мету досягнення максимально можливого для окремої особи рівня фізичної, техніко-тактичної та психічної підготовленості, який зумовлений специфікою виду робіт та вимогами щодо здобуття відповідних навичок діяльності. Як спеціалізований процес, воно має свої специфічні завдання:

1. Підвищення рівня функціональних можливостей організму.
2. Досягнення високого рівня загальної та спеціальної фізичної підготовленості.
3. Оволодіння раціональною технікою і тактикою роботи на висоті.
4. Придбання теоретичних знань і практичного досвіду для ефективної тренувальної та змагальної діяльності.
5. Виховання морально-вольових якостей.

Всі методи навчально-тренувального процесу складають такі її види: фізична, технічна, психологічна, теоретична та інтегральна.

Фізичну підготовку поділяють на:

- загальну фізичну підготовку, яка спрямована на підвищення загальної працездатності;
- спеціальну фізичну підготовку, яка спрямована на засвоювання та удосконалення відповідних вправ, розвинення функціональних якостей, координаційних здібностей і спеціальних фізичних якостей.

До засобів технічної підготовки відносяться імітаційні вправи, акробатика, безпосереднє проходження трас на стендах.

Теоретична підготовка – формування у рятувальників спеціальних знань, потрібних для успішної реалізації в цьому виді робіт. Вона може здійснюватись як у процесі практичних занять, так і у формі бесід, вивчення схем, перегляду відеозаписів, навчальних кінофільмів, вивчення кінограм.

Інтегральна підготовка спрямована на придбання змагального досвіду, підвищення стійкості до змагальної напруженості, стабільності виступів.

До словесних методів відносяться: розповіді, пояснення, лекції, бесіди. Вони найчастіше використовуються в лаконічному вигляді у сполученні із спеціальною термінологією та наочними засобами.

До наочних методів належать метод показу окремих вправ і технічних елементів, перегляд навчальних кінофільмів, відеозапису тренувань і спортивних змагань.

Практичні методи тренування: рівномірний, перемінний, повторний, інтервальний, змагальний, метод сполучених дій і колового тренування.

Змагання – це не тільки можливість виявлення кращих рятувальників, але й засіб контролю за рівнем підготовки, підвищення їх тренуваності та удосконалення майстерності.

Істотне значення у системі підготовки мають також позатренувальні чинники. Використання цих чинників дозволяє вагомо покращити підготовку пожежних-рятувальників для виконання аварійно-рятувальних робіт на висотах. У процесі багаторічної підготовки в організмі рятувальників відбуваються різноманітні функціональні зміни, пов'язані з

приспосувальними реакціями на екстремальні навантаження, які визначають рівень тренуваності рятувальників. Тренуваність не треба плутати з підготовленістю – поняттям більш широкого змісту, яке відображає увесь комплекс здібностей організму рятувальника до процесу граничних можливостей в екстремальній діяльності.

Тренуваність рятувальника поділяється на загальну і спеціальну: перша характеризується процесом пристосування організму до неспецифічних і загальних фізичних вправ, спрямованих на зміцнення здоров'я, підвищення функціональних можливостей і розвиток фізичних властивостей стосовно різних режимів м'язової діяльності; друга – процесом удосконалення конкретного виду м'язової діяльності, який вибирається відповідно до висотної спеціалізації.

В роботі був проведений аналіз дидактичних принципів підготовки рятувальників до виконання висотно-рятувальних робіт, а саме:

Принцип свідомості в навчанні виконанню робіт на висоті набуває вирішальну роль. Він орієнтує працівника на необхідність думати, розуміти, оцінювати і зіставляти. Це відноситься до надійності і доцільності освоюваних прийомів, до послідовності та ієрархії поставлених цілей, до критичної оцінки власних і колективних дій і можливостей. Іншими словами, в будь-який момент навчання працівник повинен твердо знати, що і навіщо він робить, до яких наслідків повинні привести його дії. Фізична підготовленість, технічні навички та вміння, особистий досвід, безумовно, найважливіші компоненти кваліфікації працівника виконує роботи на висоті. Але успіх і безпеку вирішує не стільки наявність цих компонентів, скільки їх свідоме застосування. Виконання робіт на висоті це робота інтелекту. Дуже важливо, щоб працівники ясно уявляли своє місце і роль в колективі, щоб ними була усвідомлена надійність навчальних заходів безпеки як основа взаємодії.

Принцип активності передбачає свідому мобілізацію зусиль кожного рятувальника на виконання навчальної або навчально-виробничої мети. Самостійність у виборі способів вирішення поставленої задачі, винахідливість і особиста ініціатива в рамках навчальної дисципліни, уважний і доброзичливий взаємний контроль, здатність у потрібний момент прийняти на себе лідерство, надати необхідну підтримку колезі по роботі цього принципу. В навчальних заняттях розумна ініціатива рятувальників підтримується і направляється інструктором; в умовах же самостійних занять, при проведенні навчання на виробництві, реалізація принципу активності – одна з основних умов успіху навчання. Відсутність своєчасної ініціативи, спрямованої на спільні цілі, або, навпаки, дезорганізуюча ініціатива часто ставали джерелом трагічних ситуацій.

Принцип систематичності означає, що вся підготовка рятувальників повинна проводитися регулярно, як правило, по щорічному плану, направленому до заздалегідь поставленої мети. Такою метою може бути виконання робіт на особливо складному об'єкті, підготовка до щорічної перевірки знань, і багато іншого. Самі заняття і тренувальні заходи повинні бути підпорядковані суворій системі: від простого до складного, від легкого до важкого, від відомого до невідомого. Наростання і ускладнення освоюваних прийомів здійснюються поступово, як би нашаровуючись один на одного.

Основою кваліфікації працівника є його здатність не тільки швидко виконати доручену роботу, а й виконати її безпечно в широкому розумінні цього терміну. Потрібно пояснювати рятувальникам, що в обстановці реальної надзвичайної ситуації кожен може виявитися «першим» за умови всебічного застосування страхувальних засобів та верхолазного спорядження. Тому освоєння такого спорядження має укладатися в послідовну систему по мірі виникнення у ньому необхідності.

Принцип доступності. Його зміст полягає в тому, що при проведенні навчальних та тренувальних занять повинні бути доступні учасникам вправи, як за рівнем зрозуміння, так і за фізичними та емоційним навантаженням. Потрібно мати на увазі, що якщо завдання по освоєнню

якогось прийому виконується занадто легко, то інтерес слухачів до занять знижується. Водночас завдання непосильне – як за фізичними можливостями, так і з емоційного фону виконання – заважає зрозуміти скоєні помилки, сковує рухи, ускладнює координацію і навіть може стати джерелом травм. Поступове дозоване наростання (але обов'язково наростання) труднощів по мірі зростання підготовленості рятувальника – головний шлях реалізації принципу доступності.

Цим же принципом слід керуватися при формуванні навчальних груп, підбираючи їх за критерієм доступності планованого рівня підготовки. Але тут, визначаючи доступність завдання для формованої навчальної групи, слід враховувати не тільки рівень індивідуальної підготовленості слухачів, але і їх здатність спільно діяти, поєднувати свої сили з силами колег по роботі, рівняючись при необхідності на слабших, перерозподіляючи навантаження під силу. Прагнення до абсолютно рівному рівню підготовленості всіх рятувальників конкретного колективу далеко не завжди виправдано, та й навряд чи здійснено. Головним залишається фактор, який об'єднує особисті дії – взаєморозуміння і взаємодію. І вже у всякому разі, критерій доступності не повинен перетворюватися на інструмент відсіву, відлучення від виконання робіт на висоті так званих неперспективних рятувальників.

Принцип наочності. Його можна розглядати в різних аспектах. Насамперед показ, демонстрація прийому, що підлягає вивченню. Мета його – формування у рятувальника яскравого синтетичного образу, об'єднуючого зорові враження від показу зі словесними поясненнями і згодом доповненого власними руховими відчуттями при самостійному виконанні прийому. Важко переоцінити значення правильно і точно виконаного показу прийому. Він ні в якому разі не передбачає бездумного копіювання. Головне тут, щоб його можна було зрозуміти, використовувати як зовнішню опору власних подальших дій, отримати матеріал для осмислення. Тому показ повинен бути ретельно підготовленим, іноді відрепетируваним, максимально позбавленим від умовностей. Особливо уважно треба ставитися до демонстрації комплексу прийомів (наприклад, зміна напрямку руху на опорному канаті, транспортування потерпілих), підкреслюючи і пояснюючи взаємозв'язок здійснюваних працівниками дій. В декількох випадках дуже бажана і спеціальна демонстрація типових помилок з роз'ясненням їх сутності та наслідків. Ще одна істотна сторона наочності – тактичні та тактико-технічні рішення, які у процесі виконання навчальних завдань, особливо в складних ситуаціях. Правильність і логічність цих рішень, своєчасність і узгодженість їх виконання можуть надовго зберегтися в пам'яті слухачів як яскравий зоровий образ, особливо якщо інструктор або більш досвідчені працівники спеціально звернуть увагу на ці події безпосередньо після них. Не можна не відзначити, що поведінка і навіть зовнішній вигляд інструктора та рятувальника, як на заняттях, так і після них теж являють собою наочний приклад, значимість якого не слід применшувати.

Принцип міцності. Йдеться про закріплення засвоєних навичок і здатності правильно застосовувати їх у різних умовах. При виконанні робіт на висоті стандартна схема формування навичок шляхом багаторазового повторення прийому не завжди реальна. Більш того, воно не завжди доцільно, бо в нескінченному розмаїтті умов виконання робіт саме поняття навичок як ціленаправленої дії, доведений до автоматизму, помітно деформується. Мова скоріше може йти про осмислення умінь приймати потрібні прийоми в потрібному місці. Для закріплення цих прийомів вимагається організована і спрямована практика комплексного їх застосування. Кращим засобом тут, безумовно, залишаються практичні заняття та навчальні завдання тренувального характеру. Адже, по суті справи, міцність закріплення необхідних умінь – це творче осмислення особистого досвіду. В цьому головний критерій кваліфікації працівника – звичайно, якщо на це звернуто увагу рятувальників. Оскільки мова тут йде про поєднання різних прийомів, слід нагадати про деякі рекомендації, що допомагають закріпити міцність володіння ними:

– не переходити до освоєння нового прийому до того, як рятувальник достатньо підготовлений до нього і здатний зрозуміти його призначення і необхідність (прийоми страхівки, застосування верхолазного спорядження) як засобу успіху і безпеки; поєднувати знову

освоюються технічні прийоми з освоєними раніше, в різних варіантах і поєднаннях, підкреслюючи їх взаємозв'язок (взаємна заміна опорного й страхувального канатів, акцентованої взаємодії);

– доводити до рівня навички шляхом багаторазових повторень допускають цей процес елементи тактико-технічних прийомів (звернення з карабіном, самостраховка на горизонтальних страхувальних канатах, виконання команд взаємодії);

– підвищувати інтенсивність і тривалість тренувальних вправи, ускладнювати умови їх виконання (наявність проміжних точок закріплення на опорному канаті, робота із застосуванням сидушки, взаємодія при підйомі на об'єкт).

Найнадійнішим способом оцінки кваліфікації рятувальників в світлі перерахованих принципів повинні служити розбори практичних занять, де підсумовуються і аналізуються враження всіх слухачів. При вмілому і зацікавленому керівництву і доброзичливому ставленні один до одного такі розбори приносять відчутну користь.

Психологічні відмінності між людьми можуть бути настільки значні, що деякі рятувальники, незважаючи на достатнє здоров'я і активне прагнення оволодіти певною діяльністю, фактично не можуть досягти необхідного мінімуму професійної майстерності для ведення висотно-рятувальних робіт. Досвід показує, що рятувальники, що не володіють достатніми *здібностями* до роботи на висоті, не тільки значно довше інших опановують цим видом діяльності, а й працюють гірше інших, найчастіше припускаються помилок, мають меншу надійність в роботі. При всьому різноманітті *професійно* важливих якостей можна назвати ряд з них, які виступають як *професійно* важливі практично для будь-якого виду діяльності пожежних-рятувальників. До таких якостей відносяться: *відповідальність*, самоконтроль, професійна *самооцінка* і декілька специфічних – емоційна *стійкість*, *тривожність*, ставлення до ризику і т.д. Особливий інтерес представляють такі особливості особистості, які здатні регулювати рівень функціонального *стану* при несенні служби. Найбільш часто такою якістю виступає емоційна стійкість, що дозволяє рятувальнику зберігати необхідну фізичну і психічну працездатність в надзвичайних умовах. Емоційна стійкість дозволяє більш ефективно справлятися зі стресом, впевнено і холоднокрівно застосовувати засвоєні навички, приймати адекватні рішення в обстановці дефіциту часу. Стейкі до стресу особи характеризуються як активні, неімпульсивні, наполегливі в подоланні труднощів. Протилежно цього емоційно нестейкі особи егоцентричні, песимістичні, дратівливі, сприймають *навколишнє середовище* як вороже і мають схильність акцентуватися на подразники, пов'язаних з небезпекою. Емоційна стійкість може бути обумовлена мотивацією і рівнем домагань на досягнення високих результатів, а також знаком емоційного переживання, його тривалістю, глибиною.

Важливу роль у професійній діяльності рятувальників при висотно-рятувальних роботах відіграє *самооцінка*, її неадекватність зменшує надійність роботи в нестандартних умовах, в раптово виниклій складній обстановці. *Самооцінка* багато в чому визначає формування інших професійно важливих якостей. Так, схильність до ризику часто породжується неадекватно завищеною самооцінкою.

Високотревожні особи більш чутливі до емоційного стресу, насилу виходять з цього стану, у них часто відзначаються емоційні порушення невротичного характеру. *Тривожність* безпосередньо пов'язана з ризиком захворювання неврозом. *Психологічна* стійкість більшою мірою виражена у осіб, мало схильних тривозі. Ці особи більш раціональні і з меншим емоційним напруженням здатні долати стресову ситуацію. Вони характеризуються більш високою рухливістю психічних *процесів*, що вказує на більш широкі можливості адаптації. Для осіб, тривожних, навпаки, типові ригідність *особистісних* якостей і психічних функцій, утруднення соціальних контактів, що перешкоджає реалізації раціональної й адекватної програми психічної адаптації.

Особливості нейродинаміки і деякі властивості темпераменту також виявляються значущими в багатьох видах професійної діяльності. Встановлено, що особи з сильною нервовою системою з боку порушення мають велику схильність до напруженої діяльності, ніж особи зі слабкою нервовою системою, для яких *характерна* більш висока *тривожність* і більш низька самооцінка. Залежність ефективності діяльності від властивостей нервової системи очевидна. Стан стресу, що виникає у рятувальників в екстремальних умовах при висотно-рятувальних роботах, різко погіршує дії осіб із слабкою нервовою системою і не робить впливу на людей з сильною нервовою системою.

Професійно важливими для рятувальників якостями є також інтроверсія і екстраверсія. Екстраверти найбільшою мірою переживають монотонність, схильні до втоми у порівнянні з інтровертами під час роботи, коли обмежені зовнішні контакти і в роботі настає одноманітність. Необхідні психічні властивості людини розвиваються в *процесі* її професійної діяльності або компенсуються іншими властивостями за допомогою спеціальних *прийомів* і способів дії. Лише в екстремальних і надзвичайних випадках, до числа яких відносяться висотно-рятувальні роботи, вимоги до окремих психічних властивостей різко підвищуються, в той же час багато *механізмів* компенсації не спрацьовують. І якщо професійна діяльність така, що екстремальні ситуації виникають в ній досить часто, з'являється необхідність в відсіві людей, які *відповідають* по *психологічним* властивостям вимогам діяльності, або в перерозподілі їх по робочих місцях з урахуванням індивідуальних *психологічних* передумов.

В роботі були проведені дослідження готовності рятувальників до ризику при проведенні висотно-рятувальних робіт. Для проведення даного відбору були застосовані наступні методи дослідження:

1. «Методика діагностики міри готовності до ризику» Шуберта;

2. Послідовний вимір частоти серцевих скорочень (ЧСС) за 10 секунд після повідомлення про майбутній експеримент, після підготовки до проведення саморятування з четвертого поверху навчальної вежі, та відразу після приземлення на землю. Стрибок із вільним падінням відбувався з висоти 12 м.

Дослідження проводилося на базі Національного університету цивільного захисту України м. Харків. Метою експерименту було виявлення взаємозв'язків між готовністю до ризику і кваліфікацією курсантів рятувальників для того, щоб можна було прогнозувати ефективність проведення аварійно-рятувальних робіт на висоті. У дослідженні брали участь курсанти факультету оперативного-рятувальних сил та спортсмени з пожежно-прикладному спорту у віці від 18 до 23 років.

Рятувальникам, що приймали участь в експерименті було запропоновано заповнити анкету з тестом Шуберта (Таблиця 1). Тест складається з 25 питань на, кожний з яких необхідно дати чисельний еквівалент відповіді:

- -2 – повне НІ;
- -1 – скоріше НІ, чим ТАК;
- 0 – ані ТАК, ані НІ;
- +1 – скоріше ТАК, чим НІ;
- +2 – повне ТАК.

На заповнення анкети приділялося 10 хвилин. Діапазон можливих відповідей від -50 до + 50.

Обробка та інтерпретація результатів:

Менше -30 балів – ви дуже обережні.

Від -10 до +10 балів – середні значення.

Більше +20 балів – ви схильні до ризику.

Результати, представлені в Таблиці 2, 3. Для спрощення обробки отриманих даних ми ввели такі умовні позначки кваліфікації рятувальників:

- 1 – без розряду;
- 2 – III і II дорослий розряд;
- 3 – I дорослий розряд і кандидати в майстра спорту (КМС);
- 4 – майстри спорту (МС) і майстри спорту міжнародного класу (МСМК).

Таблиця 1. Анкета з тестом Шуберта

№ з/п	Питання	-2	-1	0	+1	+2
1.	Чи перевищили б ви встановлену швидкість, щоб якнайшвидше надати необхідну медичну допомогу важкохворій людині?					
2.	Чи погодилися б ви заради гарного заробітку брати участь в небезпечній і тривалій експедиції?					
3.	Чи стали б ви на шляху небезпечного злочинця, що втікає?					
4.	Чи могли б ви їхати на підніжці товарного вагона при швидкості понад 100 км/год?					
5.	Чи можете ви наступного дня після безсонної ночі нормально працювати?					
6.	Чи стали б ви першим переходити холодну річку?					
7.	Чи позичили б ви другові велику суму грошей, будучи не зовсім упевненим, що він зможе повернути ці гроші?					
8.	Чи ввійшли б ви разом з приборкувачем в клітку з левами за його запевнення, що це безпечно?					
9.	Чи могли б ви під керівництвом ззовні залізи на високу фабричну трубу?					
10.	Чи могли б ви без тренування керувати парусним човном?					
11.	Чи ризикнули б ви схопити за вуздечку коня, який біжить навскач?					
12.	Чи могли б ви після 10 келихів пива їхати на велосипеді?					
13.	Чи могли б ви здійснити стрибок з парашутом?					
14.	Чи могли б ви за необхідності проїхати без квитка від Таллінна до Москви?					
15.	Чи могли б ви поїхати в автотурне, якби за кермом сидів ваш знайомий, котрий нещодавно потрапив у складну дорожньо-транспортну пригоду?					
16.	Чи могли б ви з 10-метрової висоти стрибнути на тент пожежної команди?					
17.	Чи могли б ви погодитись на небезпечну для життя операцію, щоб позбутися затяжної хвороби з постільним режимом?					
18.	Чи могли б ви зістрибнути з підніжки товарного вагона, що рухається зі швидкістю 50 км/год?					
19.	Чи могли б ви, як виняток, разом з 7-ма іншими людьми піднятися на ліфті, розрахованому тільки на шість чоловік?					
20.	Чи могли б ви за велику грошову винагороду перейти із зав'язаними очима жваве вуличне перехрестя?					
21.	Чи взялися б ви за небезпечну для життя роботу, якби за неї добре платили?					
22.	Чи могли б ви після 10 чарок горілки обчислювати відсотки?					
23.	Чи могли б ви за вказівкою начальника взятися за високовольтний дріт, якби той запевнив, що дріт знеструмлений?					
24.	Чи могли б ви після деяких попередніх пояснень управляти гелікоптером?					
25.	Чи могли б ви, маючи квитки, але без грошей і продуктів, доїхати з Москви до Хабаровська?					
Загалом						

Таблиця 2. Результати тесту Шуберта

Кваліфікація	Вік	Стаж занять	Бали
1	18	0	19
1	17	0	31
1	17	0	20
1	16	0	9
1	17	0	23
1	17	0	28
1	17	0	21
1	18	0	11
1	18	0	23
1	18	0	3
1	18	0	11
1	18	0	-3
1	17	0	6
1	15	0	26
1	16	0	10
1	17	0	17
1	17	0	18
1	16	0	39
1	17	0	14
1	18	0	6
1	18	0	20
1	18	0	15
2	14	3	5
2	19	2	15
2	22	4	10
2	13	2,5	23
2	18	2	17
2	20	2	10
3	15	3	16
3	16	3	0
3	17	4	11
3	15	2	21
3	15	6	13
3	16	4	4
3	15	6	5
3	14	1	1
3	15	3	2
3	14	1,5	22
3	19	4	20
3	26	7	15
3	20	2	16
3	21	5	40
3	12	3	17
3	25	8	40
3	16	6	5
3	16	6	13
3	17	5	10
3	21	4	26
3	21	4	50
3	20	6	14
3	28	10	9
3	26	6	17
4	17	6	22
4	19	9	14
4	26	12	22
4	24	11	24
4	28	12	13
4	20	7	18
4	18	6	34
4	24	11	27

Оскільки із характеристик в теорії ймовірності важливу роль відіграє математичне очікування випадкової величини (яке також визначають, як середнє значення випадкової величини), то її очікування можливо визначити:

$$\bar{x}_B = \frac{\sum x_i}{n}, \quad (1)$$

де x_i – варіанта варіаційного ряду вибірки; n – обсяг вибірки.

Таблиця 3. Середні значення готовності до ризику

	\bar{x}_{B1}	$\bar{x}_{B2,3}$	\bar{x}_{B4}	$\bar{x}_{B \text{ середнє}}$	σ
Середнє	17	15	22	18	0,85
Чоловік до 20 років	14	20	26	20	2
Чоловік 20-25 років	20	10	19	16	1,35

За даними Таблиці 3 у рятувальників, що займаються пожежно-прикладним спортом або висотною підготовкою середнє значення готовності до ризику складає 18 балів. Але з них на долю чоловіків у віці до 20 років приходить 20 балів, а у віці 20-25 – 16 балів.

За допомогою Microsoft Excel проводимо розрахунки коефіцієнтів кореляції. Коефіцієнт кореляції між кваліфікацією та балами готовності до ризику склав у чоловіків віком до 25 років 0,34, а у чоловіків віком від 25 до 30 років – 0,31. Коефіцієнт кореляції змішаної групи дорівнює 0,01.

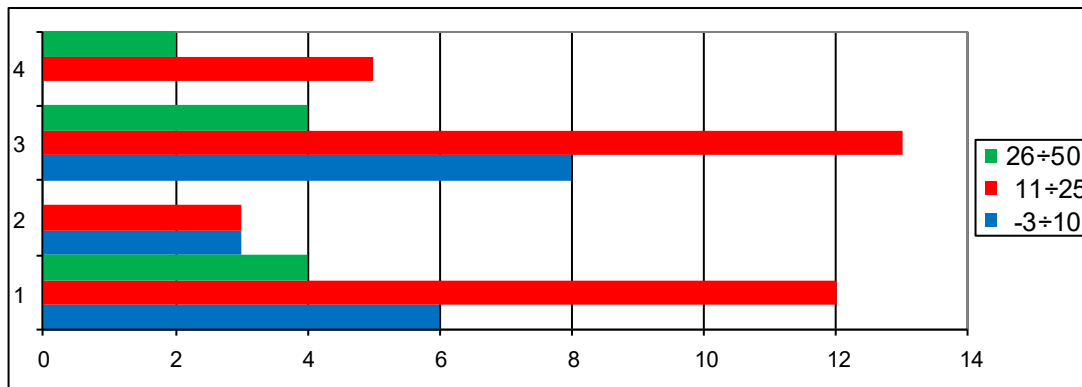


Рис. 1. Середні значення готовності до ризику

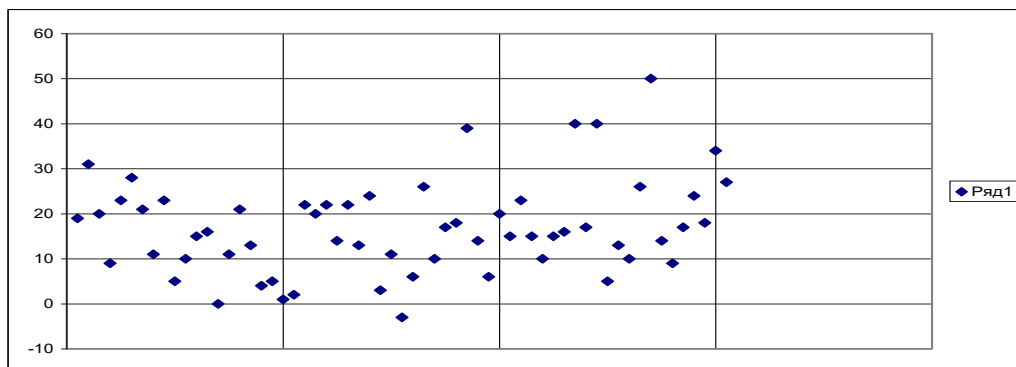


Рис. 2. Кореляції між кваліфікацією й балами готовності до ризику

За результатами отриманих даних у рятувальників із розрядами з ППС та висотної підготовки можна було зробити попереднє прогнозування результатів непідготовлених курсантів. Після загального тестування було висунуте припущення, що новачки, у яких готовність до ризику знаходиться в діапазоні +11 - +25 зможуть краще лазити і, відповідно, швидше виконають розряд. Після того, як була проведена першість підрозділів НУЦЗ України з ППС чотири чоловіки виконали III розряд (їхні показники 10; 13; 16; 21), двоє II розряд (20; 26), а один виконав I розряд, після наявного II. Тепер коефіцієнт кореляції буде дорівнює 0,47, що свідчить про більш високий ступінь взаємозв'язку, чим на початку дослідження. За наявними даними ми склали таблиці залежності ступеня готовності до ризику й кваліфікації спортсменів з ППС або висотної підготовки. У Табл. 4 представлені вихідні дані, а в Табл. 5 дані після змагань.

Таблиця 4. Залежність ступеня готовності до ризику й кваліфікації рятувальників

	бали	бали	бали	
розряд	-3 - +10	+11 - +25	+26 - +50	усього
1	6	12	4	22
2	3	3	0	6
3	8	13	4	25
4	0	5	2	7
усього	17	33	10	60

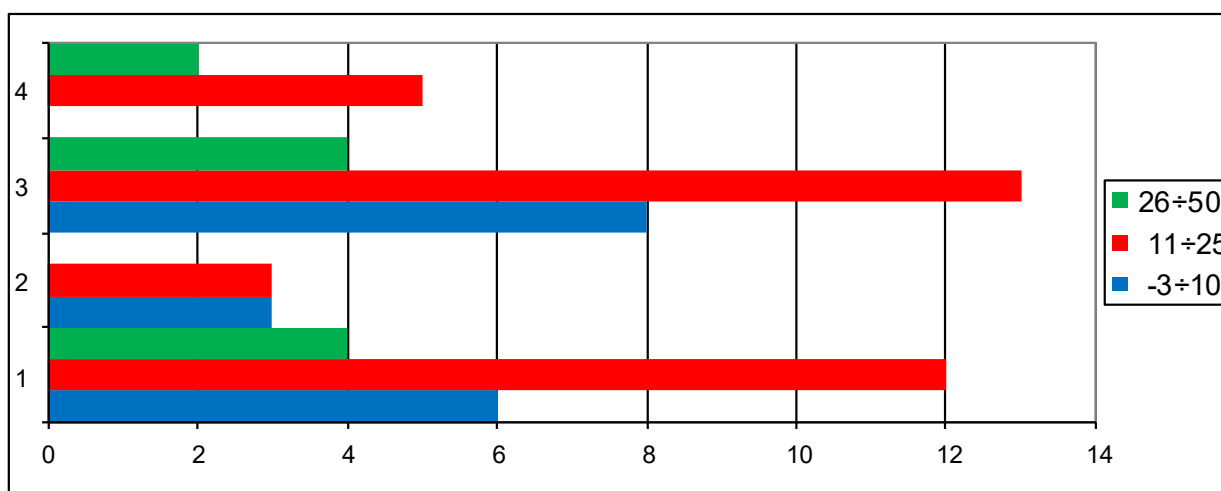


Рис. 3. Залежність ступеня готовності до ризику й кваліфікації рятувальників (вихідні дані)

Таблиця 5. Залежність ступеня готовності до ризику та кваліфікації рятувальників після змагань

	бали	бали	бали	
розряд	-3 - +10	+11 - +25	+26 - +50	усього
1	6	6	4	16
2	3	8	0	11
3	8	14	4	26
4	0	5	2	7
усього	17	33	10	60

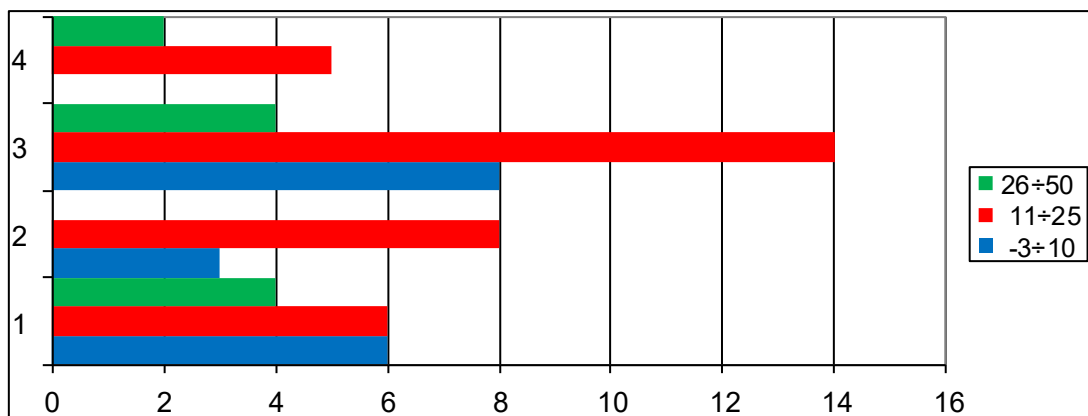


Рис. 4. Залежність ступеня готовності до ризику й кваліфікації рятувальників (дані після змагань)

За отриманими даними можна зробити висновок, що для досягнення успіху в проведенні висотно-рятувальних робіт необхідно, щоб границі готовності до ризику були трохи вище загальноприйнятого рівня (Шуберт вважав, що значення вище + 10 балів свідчать про підвищену готовність до ризику). Динаміка середніх значень готовності до ризику у курсантів НУЦЗ України.

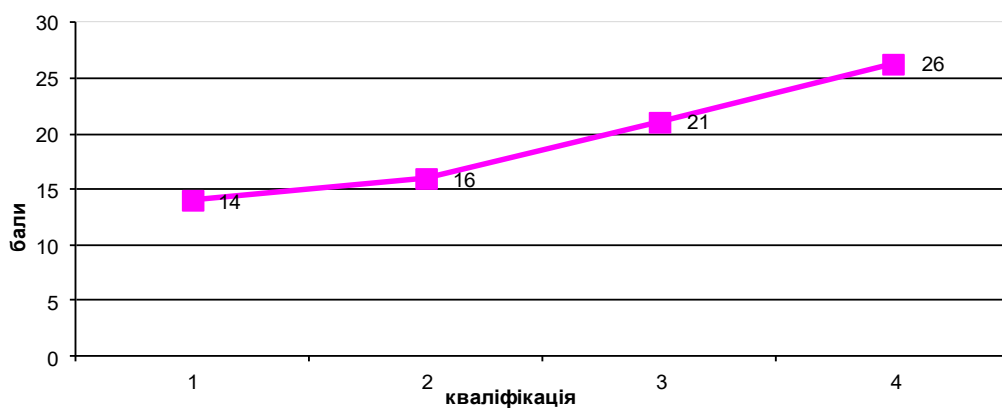


Рис. 5. Динаміка середніх значень готовності до ризику у курсантів НУЦЗ України

Коефіцієнт кореляції між готовністю до ризику і ситуаційною тривожністю складає – 0,016, що свідчить про те, що зв'язок відсутній. А от з особистісною тривожністю – 0,42, тобто зв'язок мається. Середнє значення ситуативної та особистісної тривожності у спортсменів з різною кваліфікацією показано на Рис. 6.

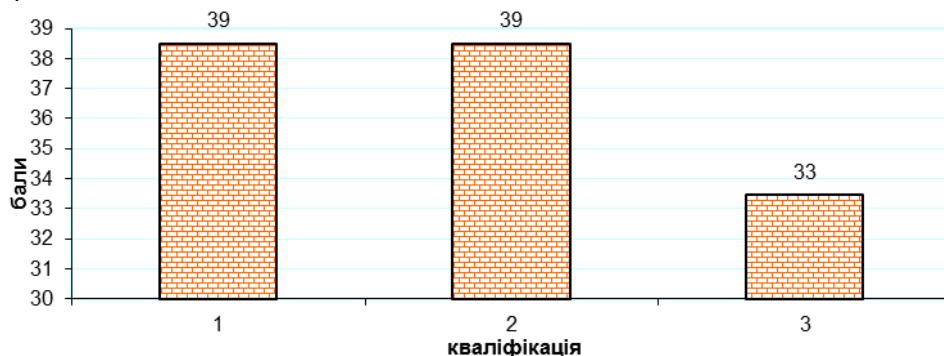


Рис. 6. Середнє значення ситуативної та особистісної тривожності у рятувальників з різною кваліфікацією

Вийшло, що в ідеального рятувальника для висотно-рятувальних робіт повинна бути підвищена готовність до ризику і середнє значення особистісної тривожності.

Крім цього, в роботі були проведені дослідження частоти серцевих скорочень рятувальників при висотно-рятувальних роботах. Курсанту НУЦЗ України, котрий прийшов на звичайне практичне заняття з висотної підготовки, після розминки говорили, що необхідно буде взяти участь в експерименті і відразу після цього в нього заміряли показник ЧСС за 10 сек. Після цього учасник піднімався по зворотній стороні навчальної башти, там його зустрічав помічник експериментатора, прив'язував за верхолазну систему до мотузки і пояснював завдання. Завдання полягало в наступному: вилізти на вікно четвертого поверху навчальної башти, а потім стрибнути вниз. Після цього повторно замірялися показники ЧСС. Виходить, що стрибок здійснювався з висоти 12 метра. З них вільним падінням він пролітав 5-6 метрів, а у двох метрах від землі він плавно опускався, гасячи ривок падіння. Відразу після приземлення в курсанта заміряли ЧСС за 10 сек. Немаловажний той факт, що випробуваному самому потрібно було відпустити зачіп. Час, що йшов у випробуваного на те, щоб зважитися це зробити не заміряли. Але було видно, що розходження дуже великі. Слід зазначити, що для експерименту використовувалося тільки сертифіковане спорядження, а страховку здійснював досвідчений фахівець. У цьому дослідженні брали участь 26 чоловік. Результати можна побачити в таблиці 6. Обробка всіх даних проводилася за допомогою Microsoft Excel.

Таблиця 6. Значення ЧСС при вільному падінні

№ з/п	ЧСС перед підйомом	ЧСС перед стрибком	ЧСС після стрибку	Розряд
1.	156	138	180	1
2.	114	144	192	1
3.	114	144	192	1
4.	150	162	192	1
5.	132	144	198	1
6.	138	144	174	1
7.	120	138	174	1
8.	114	138	216	1
9.	96	108	162	2
10.	96	102	156	2
11.	72	90	120	3
12.	114	156	192	3
13.	126	144	192	3
14.	114	96	174	3
15.	96	126	180	3
16.	90	96	150	3
17.	84	102	132	3
18.	102	132	174	3
19.	84	96	144	3
20.	120	138	156	3
21.	120	96	162	3
22.	78	108	120	3
23.	84	90	150	4
24.	132	144	192	4
25.	120	126	178	4
26.	112	112	156	4
Кореляція з розрядом	-0,651	-0,623	-0,528	
Стандартне відхилення	3,841	3,923	4,073	
Дисперсія	15,641	15,072	16,182	

Зв'язок між ЧСС і кваліфікацією досить тісний, коефіцієнт кореляції $-0,65 - -0,52$. Виходить, чим вище кваліфікація спортсмена тим нижче в нього показники ЧСС і в спокої, і при стресовому навантаженні. Середнє значення ЧСС представлені в Таблиці 7.

Таблиця 7. Показники ЧСС на різних етапах експерименту, уд/хв.

Кваліфікація	ЧСС на 1 етапі	ЧСС на 2 етапі	ЧСС на 3 етапі
1	132	144	192
2, 3	120	126	178
4	112	112	156

Якщо розходження ЧСС на 1 етапі можна пояснити різним рівнем тренуваності, то показники ЧСС на 2 і 3 етапах говорять про звикання до падіння. Адже в тренуваних людей ЧСС збільшується на 25-30% у порівнянні зі звичайним рівнем, а в людей, що тільки почали займатися висотною підготовкою або пожежно-прикладним спортом на 45-50%. Динаміка ЧСС при вільному падінні з висоти 12 м наведена на Рисунку 7.

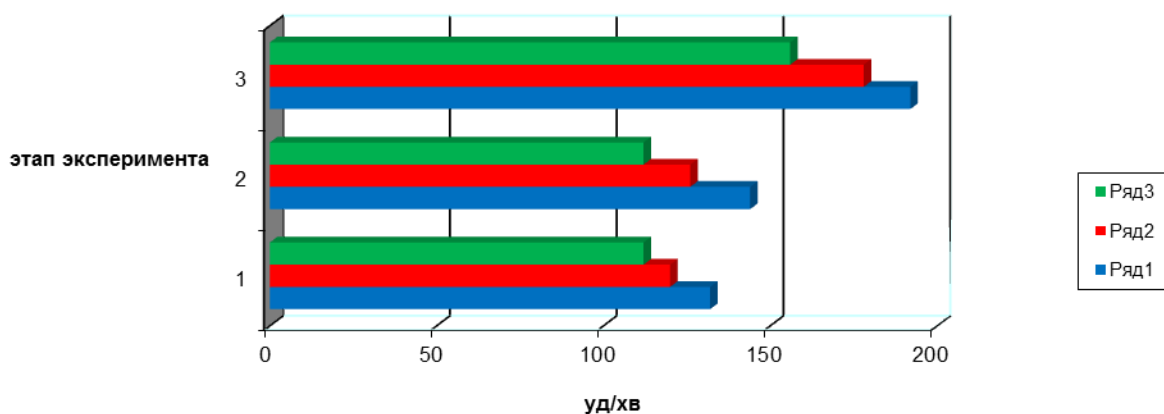


Рис. 7. Динаміка ЧСС при виконанні вільного падіння з висоти 12 м у рятувальників з різною кваліфікацією (ряд 1-1, ряд 2-2, 3, ряд 3-4)

3.7. The use of information technology to control the mode of operation of biological wastewater treatment facilities

3.7. Використання інформаційних технологій для управління режимом роботи споруд біологічного очищення стічних вод

Інформаційні технології на захисті водних об'єктів від забруднення. Невід'ємною частиною європейського інтеграційного процесу України є екологічна політика.³⁸⁵ Українці розуміють, що одного матеріального статку для забезпечення якості повсякденного життя недостатньо. Важливою складовою повноцінного життя є здоров'я, на яке безпосередньо впливає стан навколишнього середовища. Згідно з Рішенням Європейського парламенту і Ради³⁸⁶ від 20 листопада 2013 року про Загальну програму дій Союзу з охорони навколишнього середовища до 2020 року «Жити добре в рамках обмеженості ресурсів нашої планети» наша держава зобов'язалася «охороняти громадян від пов'язаних з навколишнім середовищем навантажень і ризиків для здоров'я і благополуччя». В документі наголошено, що підвищення якості очищення стічних вод, що надходять на очисні споруди від населених пунктів та промислових підприємств, залишається найважливішим напрямком цієї роботи.

Для розв'язання екологічних завдань, в тому числі системного екологічного моніторингу та аналітичного контролю, еколого-економічного аналізу, наукового обґрунтування і вдосконалення методів проектування, прогнозування забруднення навколишнього середовища при техногенних аваріях і катастрофах, розробки технологічних процесів і систем управління ними, пов'язано з оцінюванням стану досліджуваних об'єктів, вибором показників, які б адекватно відображали їх стан і розвиток. Впоратись з тим допомагають інформаційні системи та технології, які знайшли застосування в комунальній сфері.³⁸⁷

Країни Європи приділяють значну увагу проблемі запобігання забрудненості водних об'єктів стічними водами³⁸⁸. Низка несприятливих факторів призводить до неякісної роботи очисних споруд. При очищенні стоків виникають труднощі, які пов'язані з нерівномірністю надходження стічних вод, постійними змінами їх якісного складу. В зв'язку з тим робота споруд ускладнюється, погіршується якість очищення. Результатом є потрапляння недостатньо очищених вод в водні об'єкти, які використовуються для відпочинку, рибальства, споживання води на господарчі та інші потреби. Забруднюючі речовини спричиняють спалах інфекційних захворювань, призводять до погіршення здоров'я людей і тварин. С такими явищами постійно стикаються великі міста, насичені промисловістю, транспортом, будівлями різного призначення. Напруження екологічної ситуації з атмосферним повітрям та водою в межах так і поза межами населеного пункту спеціалісти пов'язують саме з високим рівнем розвитку промисловості.

Потрапляння органічних і мінеральних забруднень у водні об'єкти відбувається при скиданні комунальних та промислових стічних вод, що утворюються в результаті технологічних процесів виробництва, переробки продукції і в процесі життєдіяльності людей. Тому захист природного середовища від забруднення відходами промислових виробництв,

³⁸⁵ Стратегія Державної екологічної політики України на період до 2020 року.

³⁸⁶ Рішення № 1386/2013/EU Європейського Парламенту та Ради від 20 листопада 2013 р. про загальну програму дій Союзу з охорони навколишнього середовища до 2020 року «Жити добре в рамках обмеженості ресурсів нашої планети».

³⁸⁷ Паршков А. Е. Информационные технологии и их применение в сфере жилищно-коммунального хозяйства // Техника. Технологии. Инженерия. – 2018. – №1. – С. 14-17.

³⁸⁸ Директива 2010/75/EU Європейського Парламенту та Ради від 24 листопада 2010 р. про промислові викиди (комплексне запобігання та контроль забруднення) (ОJ L 334, 17. 12. 2010, р. 17).

стічними водами від населених пунктів та забезпечення його екологічної безпеки залишається важливою проблемою. Для її розв'язання треба використовувати всі можливі шляхи, в тому числі інформаційні технології.

Метою роботи є підвищення екологічної безпеки роботи споруд біологічного очищення стічних вод шляхом розробки програмного комплексу управління режимом роботи споруд біологічного очищення. Для досягнення поставленої мети передбачено розв'язання декількох задач:

–аналіз існуючих методів очищення стічних вод з визначенням факторів, які мають найбільший вплив на процес очищення;

–розробка програмного комплексу управління режимом роботи споруд біологічного очищення стічних вод;

–надання рекомендацій з практичного використання отриманих результатів.

Особливості процесу біологічного очищення стічних вод. Шляхи розв'язання проблеми. Основними забруднюючими речовинами, що потрапляють у водойми зі зворотними водами, є органічні речовини, нафтопродукти, феноли, азот амонійний та нітратний, важкі метали, тощо. В стічних водах переважної більшості підприємств промисловості та комунального господарства концентрація забруднюючих речовин істотно перевищує встановлений рівень гранично допустимого скиду. Це призводить до забруднення водних об'єктів, значно ускладнює очищення води на питні потреби. Причини забруднення поверхневих вод України:

–скидання неочищених та недостатньо очищених стічних вод безпосередньо у водні об'єкти та через систему міської каналізації;

–надходження забруднюючих речовин у процесі поверхневого стоку води з забудованих територій та сільськогосподарських угідь;

–ерозія ґрунтів на водозабірних площах.

Треба відмітити, що відносний спад виробництва по деяким галузям, виконання регіональними органами влади низки першочергових заходів організаційного та технічного характеру дещо стримує згубні для навколишнього середовища антропогенні процеси. Але в цілому це суттєво не впливає на загальний стан повітря та води в поверхневих та підземних джерелах.

Незважаючи на жорсткі вимоги³⁸⁹, які пред'являються до якості стічних вод, що скидаються у водоймище, а також на значне скорочення обсягів промислового виробництва, за минуле десятиліття не відбулося помітного поліпшення якості води в природних водних об'єктах. У районах скидання стічних вод триває інтенсивне забруднення і накопичення промислових забруднень, потенційно небезпечних речовин. Це призводить до погіршення екологічної обстановки в місцях скидання стічних вод.

Згідно з переліком³⁹⁰, поданим міністерством екології та природних ресурсів України, зі ста об'єктів, які є джерелами найбільшого забруднення навколишнього середовища в Україні, практично в кожній області такими джерелами є підприємства житлово-комунального господарства. В зв'язку з цим постає задача впровадити заходи, які забезпечать необхідний ступінь очищення стічних вод та допоможуть знизити їх негативний вплив на водні об'єкти. Одним зі шляхів розв'язання є удосконалення існуючих та створення нових, екологічно безпечних технологічних процесів і обладнання. Вони забезпечать раціональне використання водних ресурсів та дотримання нормативів гранично допустимих

³⁸⁹ Правила приймання стічних вод підприємств у комунальні та відомчі системи каналізації населених пунктів України.

³⁹⁰ Перелік 10 об'єктів, які є найбільшими забруднювачами довкілля на загальнодержавному рівні.

скидів, дозволять мінімізувати вплив техногенного забруднення на навколишнє середовище і людину.

Науковці приділяють багато уваги питанням якісного очищення стічних вод та розглядають різні шляхи зменшення кількості забруднень, що потрапляють в водойми. Аналіз вітчизняного та зарубіжного досвіду показує, що з усіх можливих шляхів створення технологічно керованих процесів біохімічного очищення стічних вод реалізована лише невелика частина. Відомі спроби управління роботою аеротенків пов'язані з регулюванням окремих елементів технологічного процесу і, як правило, відрізняються незадовільним інженерним виконанням³⁹¹. Подальший розвиток може йти по шляху вдосконалення технологічного процесу³⁹² в існуючих спорудах або радикальної зміни конструкції³⁹³. Складність внесення конструктивних змін пов'язана з великими розмірами споруд та необхідністю значних фінансових витрат. Впровадження сучасних методів управління роботою споруд дозволяє з мінімальними витратами підвищити ефективність їх роботи³⁹⁴.

На сьогоднішній момент реалізована лише невелика частина можливих рішень, здатних якісно поліпшити роботу споруд. Тому актуальним залишається завдання вдосконалення існуючих і створення нових, екологічно безпечних технологічних процесів, здатних забезпечити раціональне використання водних ресурсів та дотримання нормативів гранично допустимих скидів.

Використання комп'ютерного моделювання для дослідження процесу біологічного очищення стічних вод.

Для аналітичних обчислень користувачам доступне різноманітне програмне забезпечення. Серед найбільш поширеного можна виділити комерційні пакети програм Maple, Mathematica, які представляють собою потужний інструмент з широкими математичними можливостями. Ці пакети дозволяють виконувати складні математичні розрахунки, будувати дво- та тривимірні графіки. При цьому вони досить прості в використанні, підходять для роботи вченому, викладачеві, аспіранту або студенту. Головною перевагою подібних пакетів є можливість автоматизувати найбільш рутинну частину обчислювальної роботи, яка потребує підвищеної уваги.

Аналогом відомих пакетів Maple і Mathematica є Maxima. Вона представляє собою відкритий комплекс пакетів символічної математики з русифікованим інтерфейсом. Maxima дозволяє маніпулювати символічними та численними виразами, включаючи диференціювання, інтеграцію, звичайні диференціальні рівняння, системи лінійних рівнянь та інші. За її допомогою можна робити точні розрахунки з використанням точних дробів, цілих чисел будь-якої точності та чисел з плаваючою комою змінної точності. Крім того, Maxima дозволяє відображати функції та дані в двох та трьох вимірах. Ця програма працює на тих же принципах і надає схожий функціонал, що і її комерційні аналоги. Її радикальна відмінність Maxima не є ні комерційною, ні закритою. Це стало однією з причин, чому вона була обрана нами для проведення моделювання роботи споруд біологічного очищення стічних вод.

Для досягнення поставленої мети та створення комп'ютерного комплексу управління режимом роботи споруд біологічного очищення, проведено дослідження впливу різних

³⁹¹ Starkl M, Strenström T. A., Roma E., Phansalkar M., Srinivasan RK Evaluation of sanitation and wastewater treatment technologies: case studies from India. Journal of Water, Sanitation and Hygiene for Development 3, 2013a, 1-11.

³⁹² Tilly E, Lüthi C, Morel A, Zurbrügg C, Schertenleib F. Compendium of sanitation systems and technologies. Swiss Federal Institute of Aquatic Science and Technology (EAWAG), Dübendorf, Switzerland 2008.

³⁹³ Єремєєв І. С. Управління якістю біохімічного очищення стічних вод / І. С. Єремєєв, А. О. Дичко // Системні дослідження та інформаційні технології. – 2012. – № 4. – С. 45-48.

³⁹⁴ Patziger M., Kainz H., Hunze M., Józsa J. Analysing sludge balance in activated sludge systems with a novel mass transport model. Water Science and Technology. IWA Publishing, London, UK. 57 (9). P. 1413-1419. 2008.

параметрів на якість очищення при різних варіантах подачі стічних вод. Об'єктом дослідження є споруди біологічного очищення стічних вод, що включають в себе аеротенк і вторинний відстійник. Якість очищення стічних вод на спорудах біологічної очистки визначає якість води в водоймах, які використовуються для культурно-побутового і рибогосподарського призначення. Екологічна безпека водойм в значній мірі залежить від того, як організовані масообміни і гідравлічні процеси в аераційних спорудах аеротенках³⁹⁵, які є функціональною ланкою технологічної схеми аеробного біологічного очищення³⁹⁶. Принципова схема системи «аеротенк-вторинний відстійник» наведена на Рисунку 1.

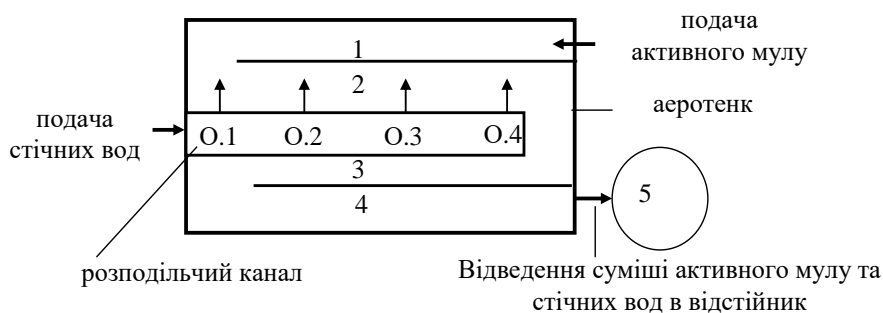


Рис. 1. Схема секції аеротенка

1 – перший коридор, 2 – другий коридор, 3 – третій коридор, 4 – четвертий коридор, 5 – вторинний відстійник, O.1, O.2, O.3, O.4 – випускні отвори на розподільчому каналі

В перший коридор (регенератор) зосереджено подається активний мул. подача освітлених стічних вод після механічного очищення відбувається в другий коридор розосереджено по довжині коридору. Далі суміш активного мулу і освітленої рідини повільно рухається по коридорах аеротенка. На всьому шляху постійно подається стиснене повітря. Час перебування суміші складає приблизно 6-8 годин. В кінці четвертого коридору суміш надходить в відповідний канал і самопливом рухається по трубопроводах на розподільні чаші вторинних відстійників.

В відстійниках очищена вода відділяється від активного мулу, якій повертається в регенератор аеротенку. Основними факторами, що впливають на вибір оптимального режиму роботи аеротенків, є гідродинамічна схема течії потоку³⁹⁷, ефективність насичення рідкого середовища киснем з повітря, що подається системами аерації, якість і кількість активного мулу, що подається в аеротенк.³⁹⁸

Основою розрахунків стала математична модель процесу біологічного очищення стічних вод, яка представляє собою систему чотирьох диференціальних рівнянь³⁹⁹. Ця модель дозволяє вивчати складний процес очищення, розбиваючи його на окремі складові. Це надає можливість підвищити точність і надійність результатів, встановити зв'язки між

³⁹⁵ Modelling of Wastewater Treatment Plants How Far Shall We Go with Sophisticated Modelling Tools. / G. C. Glover, C. Printemps, K. Essemiani et al. // Water science and technology. – 2006. – V. 53. – N. 3. – P. 79-89.

³⁹⁶ Mathematical modelling of small wastewater treatment plants: power and limitations / N. Philips, S. Heyvaerts, K. Lammens // Water Science & Technology. – 2005. – V. 51. – N. 10. – P. 55-63.

³⁹⁷ M. Ghorbani, C. Eskicioglu. Application of the International Water Association activated sludge models to describe aerobic sludge digestion. Environmental Technology. V. 32 (16). P. 1923-1938. 2011.

³⁹⁸ Juang D. F., Chiou L. J. Microbial population structures in activated sludge before and after the application of synthetic polymer. Int. J. Environ. Sci. Tech. V. 4, №1. P. 119-125. 2007.

³⁹⁹ Горносталя С. А. Исследование процесса биологической очистки сточных вод в системе "аэротенк – вторичный отстойник" Вестник БГТУ им. В. Г. Шухова. 4. С. 164-167. 2013.

окремими елементами і з'ясувати їх роль в функціонуванні споруди в цілому. Для того щоб врахувати особливості перебігу процесу біологічного очищення на різних його стадіях, запропоновано процес очищення в аеротенках розбити на окремі складові⁴⁰⁰. Такий розподіл дозволяє:

- контролювати стан очищення стічних вод на різних етапах перебігу;
- використовувати в якості контролюючих параметрів показники стічних вод, що надходять на очищення, активного мулу;
- приймати обґрунтоване рішення про зміну режиму подачі стічних вод або повітря в споруди.

Для розв'язання системи диференціальних рівнянь використано вбудований функціонал програмного засобу Maxima та розроблено програмний комплекс. Він складається з програмного продукту «Дослідження впливу характеристик стічних вод на якість очистки в аеротенку». Час розрахунку з використанням зазначених пакетів становить в середньому від 15 до 30 с. Результат розрахунку можна отримати в вигляді графіків або числових значень, приклад наведено на Рис. 2.

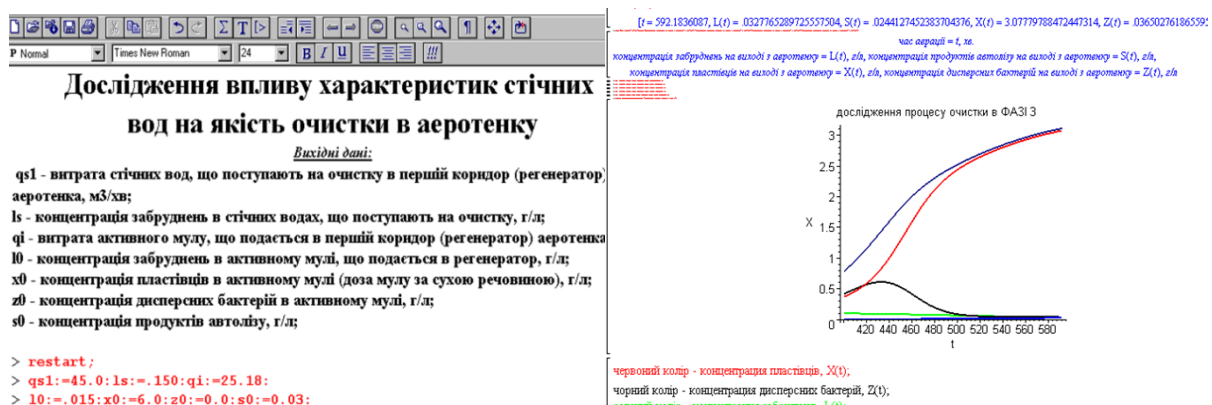


Рис. 2. Програмний комплекс «Дослідження впливу характеристик стічних вод на якість очистки в аеротенку»

Запропонований комплекс дозволяє вирішувати кілька задач:

- аналізувати стан роботи споруд біологічного очищення стічних вод;
- вивчати вплив параметрів на перебіг процесу в цілому та на окремих ділянках;
- змінювати параметри, запобігаючи погіршенню їхньої роботи.

Програмний продукт включає в себе блок програм, які імітують процес біологічного очищення стічних вод в аеротенку з можливістю різних варіантів подачі стічних вод. Кожна програма блоку складається з чотирьох основних частин. Перша частина – це математична модель у вигляді системи чотирьох диференціальних рівнянь. Друга частина – опис параметрів, що входять до моделі. Третя частина – результати розрахунку. Вони наводяться в вигляді графіків, що описують зміну концентрацій у відповідній фазі, та числових значень. Четверта частина – виводиться час протікання процесу та графіки, що описують зміну концентрацій забруднень за фазами в залежності від часу протікання процесу.

Порядок застосування комп'ютерного комплексу для управління режимом роботи споруд біологічного очищення.

1. Задати вихідні дані – характеристики стічних вод і активного мулу: концентрація забруднень в стічних водах, що надходять на очистку, їх витрата, доза активного мулу і витрата мулу, який подається в регенератор аеротенка. Отримані значення вводять в

⁴⁰⁰ Горносталь С. А., Петухова Е. А., Айрапетян Т. С. Сравнение результатов расчета, полученных для разных вариантов подачи сточных вод в аэротенк. Научный вестник строительства. ХНУБА. № 2 (84). С. 303-307. 2016.

програму, яка імітує процес біологічної очистки в чотирьохкоридорному аеротенку проміжного типу з регенератором і з можливістю розосередженої подачі стічних вод.

2. Порівняти результати розрахунку з нормативними значеннями.

3. Обрати режим роботи аеротенку. При цьому враховують, що на виході з аеротенку отримані значення концентрації забруднень і концентрації активного мулу повинні бути мінімальними. Якщо значення для якого-небудь з варіантів, які отримані за допомогою комп'ютерного розрахунку, перевищують нормативні значення, то режим роботи аеротенків з таким варіантом подачі стічних вод для даних початкових значень концентрації забруднень в стічних водах, концентрації активного мулу в даному випадку використовувати не доцільно, так як це призведе до потрапляння у водойму недостатньо очищених стічних вод.

4. Внести корективи в технологічний регламент роботи споруд.

Зміна режиму роботи аеротенка шляхом регулювання подачі стоків і повітря впливає на характер протікання процесу очищення в спорудах та забезпечує необхідну якість очищення при економному витрачанні електроенергії. Це дозволяє вплинути на режим роботи очисних споруд, підвищити ефективність процесу біологічного очищення. З використанням програмного комплексу ця задача стає набагато простішою, а її розв'язання займає набагато менше часу. Його перевагою є можливість змінювати параметри подачі повітря, проводити розрахунок для різних варіантів подачі стічних вод в аеротенк. Це значно скорочує час, який потрібен для аналізу та обробки лабораторних даних.

Запропонований порядок дозволяє обирати режим очищення стічних вод, при якому на виході зі споруд концентрація забруднень не перевищуватиме гранично допустимих значень. Остаточне рішення щодо вибору технологічного режиму роботи споруд біологічного очищення залишається за технологом підприємства. При цьому фахівець буде володіти вичерпною інформацією про характер перебігу процесів на різних етапах очищення, в різних точках споруди.

Висновок. Потрапляння стічних вод в водойми без очищення або з недостатнім ступенем очищення становить серйозну загрозу для населення, призводить до погіршення екологічної ситуації та виникнення небезпеки для здоров'я людей і тварин. В останні роки в Україні спостерігається поступове зниження кількості стічних вод, що скидаються у водні об'єкти. Однак відсоток недостатньо очищених вод і вод без очистки до загальної кількості стоків, що скидаються залишається досить високим.

Вчені прикладають зусилля для розробки заходів, які унеможливають потрапляння неочищених та недостатньо очищених стічних вод в водні об'єкти. Це дозволяє нормалізувати стан водних екосистем та створити умови для їх подальшого сталого функціонування, надає можливість повноцінного використання водних об'єктів для рибогосподарської діяльності, рекреації та туризму. Одним зі шляхів розв'язання задачі є використання математичного моделювання для відтворення процесів, що відбуваються в спорудах при очищенні стічних вод. Воно допомагає дослідити процеси очищення та запропонувати заходи, що допоможуть дотримуватись нормативів гранично допустимих скидів. Це надає змогу мінімізувати вплив техногенного забруднення на навколишнє середовище і людину. Нами розроблено комплекс комп'ютерних програм, які імітують процес біологічного очищення в системі «аеротенк-вторинний відстійник». Використання цього комплексу дозволяє:

- контролювати стан процесу біологічного очищення стічних вод на різних етапах;
- приймати обґрунтоване рішення про зміну режиму подачі стоків на очищення;
- підвищити ефективність біологічної очистки стічних вод.

Для використання результатів моделювання запропоновано порядок вибору режиму роботи споруд біологічного очищення стічних вод. Він дозволяє обирати режим очищення

стічних вод, при якому на виході зі споруд будуть отримані значення концентрації забруднень не вище гранично допустимих значень. Рішення про вибір режиму роботи споруд очищення за фахівцем підприємства. В цьому йому допоможить вичерпна інформація про особливості процесу очищення на різних етапах протікання процесу. Запропонований порядок дозволяє з мінімальними витратами фінансових та трудових ресурсів покращити екологічний стан водойм, в які скидаються стічні води після очищення.

Література:

1. Стратегія Державної екологічної політики України на період до 2020 року [Електронний ресурс]. – Режим доступу: <http://zakon0.rada.gov.ua/laws/show/2818-17>.
2. <http://www.menr.gov.ua/ecopolit>.
3. Паршков А. Е. (2018): Информационные технологии и их применение в сфере жилищно-коммунального хозяйства // Техника. Технологии. Инженерия. – 2018. – № 1. – С. 14-17. – URL: <https://moluch.ru/th/8/archive/76/3012/>.
4. Директива 2010/75/EU Європейського Парламенту та Ради від 24 листопада 2010 р. про промислові викиди (комплексне запобігання та контроль забруднення) (OJ L 334, 17. 12. 2010, р. 17). <http://old.minjust.gov.ua/45875>.
5. Правила приймання стічних вод підприємств у комунальні та відомчі системи каналізації населених пунктів України. Затверджені наказом Держбуду України 19. 02. 2002 N 37 (z0402-02) <http://zakon3.rada.gov.ua/laws/show/z0403-02>.
6. Перелік 10 об'єктів, які є найбільшими забруднювачами довкілля на загальнодержавному рівні <http://www.menr.gov.ua/index.php/control/control4>.
7. Starkl M., Strenström T. A., Roma E., Phansalkar M., Srinivasan R. K. (2013): Evaluation of sanitation and wastewater treatment technologies: case studies from India. *Journal of Water, Sanitation and Hygiene for Development* 3, 2013, 1-11.
8. Tilly E, Lüthi C, Morel A, Zurbrügg C, Schertenleib F. (2008): Compendium of sanitation systems and technologies. Swiss Federal Institute of Aquatic Science and Technology (EAWAG), Dübendorf, Switzerland. – 2008. – 176 p.
9. Єремєєв І. С. Управління якістю біохімічного очищення стічних вод (2012) / І. С. Єремєєв, А. О. Дичко // Системні дослідження та інформаційні технології. – 2012. – № 4. – С. 45-48. – Режим доступу: http://nbuv.gov.ua/UJRN/sdtit_2012_4_7.
10. Patziger M., Kainz H., Hunze M., Józsa J. (2008): Analysing sludge balance in activated sludge systems with a novel mass transport model. *Water Science and Technology*. IWA Publishing, London, UK. 57 (9). P. 1413-1419. 2008.
11. Mathematical modelling of small wastewater treatment plants: power and limitations (2005). / N. Philips, S. Heyvaerts, K. Lammens // *Water Science & Technology*. – 2005. – V. 51. – N. 10. – P. 55-63.
12. Modelling of Wastewater Treatment Plants How Far Shall We Go with Sophisticated Modelling Tools (2006). / G. C. Glover, C. Printemps, K. Essemiani et al. // *Water science and technology*. – 2006. – V. 53. – N. 3. – P. 79-89.
13. M. Ghorbani, C. Eskicioglu. (2011): Application of the International Water Association activated sludge models to describe aerobic sludge digestion. *Environmental Technology*. V. 32(16). P. 1923-1938. 2011.
14. Juang D. F., Chiou L. J. (2007): Microbial population structures in activated sludge before and after the application of synthetic polymer. *Int. J. Environ. Sci. Tech*. V. 4, №1. P. 119-125. 2007.
15. Горносталь С. А. (2013): Исследование процесса биологической очистки сточных вод в системе "аэротенк – вторичный отстойник" Вестник БГТУ им. В. Г. Шухова. 4. С. 164-167. 2013.
16. Горносталь С. А., Петухова Е. А., Айрапетян Т. С. (2016): Сравнение результатов расчета, полученных для разных вариантов подачи сточных вод в аэротенк. Науковий вісник будівництва. ХНУБА. №2 (84). С. 303-307. 2016. <http://nuczu.edu.ua/sciencearchive/Articles/gornostal/3.pdf>.

3.8. Innovative approaches to the revitalization of technogenic landscapes

3.8. Инновационные подходы ревитализации техногенных ландшафтов

Одним из негативных последствий деятельности горнодобывающей промышленности является образование больших площадей нарушенных земель. Восстановлению их экосистемных функций сегодня уделяется огромное внимание. При этом речь идет о рекультивации, реабилитации ландшафтов, а в последнее время и о ревитализации. Реконструкция ландшафта после завершения горнодобывающей деятельности, или ее ревитализация (Геник, 2013)⁴⁰¹, предполагает не просто его восстановление, но и социализацию, разработку элементов инфраструктуры, способствующей рекреации и туризму, улучшение экологического состояния территории и, как следствие, привлечение новых инвестиций и получение привлекательных постмайниговых территорий.

Техногенные ландшафты, образовавшиеся в результате горнодобывающей деятельности, характеризуются большим разнообразием. Они отличаются по происхождению, размеру, возрасту и др. Их особенности зависят от способа разработки полезных ископаемых, технологии добычи, способа укладки отходов и пустых пород, характера поверхности склонов, состава пород или отходов, а также их пригодности для роста растений и т.п. Большинство отвалов и карьеров, образовавшихся в результате горнодобывающей деятельности, характеризуются очень медленным процессом формирования растительного и почвенного покровов и долгое время являются источниками загрязнения окружающей природной среды различными соединениями, в том числе и токсичными, вследствие ветряной и водной эрозии. При этом их рекультивация или ревитализация зачастую представляется достаточно сложной задачей и связано это, не в последнюю очередь, с их высокой стоимостью. Таким образом поиск экономично эффективных способов восстановления техногенных ландшафтов является достаточно актуальным.

Особенностью современного менеджмента восстановления нарушенных горнодобывающей промышленностью земель является его экологическая составляющая. Главным детерминантом успешности создания новых экосистем, взамен разрушенных, является системный подход. Его неотъемлемой составляющей является раскрытие деталей процессов природного самозарождения техногенных объектов.

Цель работы – показать инновационные подходы ревитализации нарушенных земель, использующие потенциал организмов – инициаторов первичных сукцессий на техногенных субстратах.

Отвалы, образующиеся в результате деятельности горнодобывающей промышленности, заселяются живыми организмами по-разному. Наиболее медленно процесс восстановления растительного покрова и формирования почв происходит на отвалах, сложенных малопригодными и, особенно, непригодными по физическим и химическим свойствам породами. К последним относят каменистые, сульфидсодержащие и сильнозасоленные породы. На таких субстратах появление первых живых организмов происходит после длительного периода выветривания, окисления и вымывания токсических соединений. Наиболее быстро осваиваются отвалы, сформированные осадочными породами, не содержащими токсических компонентов.

Высокую информативность для решения вопросов проведения рекультивации имеют данные по составу организмов, начинающих первичные сукцессии на отвалах. Исследование

⁴⁰¹ Геник, Я. В. (2013). Технологічна класифікація порушених екосистем з метою їх ревіталізації. Наук. вісн. НЛТУУ, 23 (3), 103-108.

пионерных группировок позволяет диагностировать экологический потенциал субстратов техногенных объектов и закладывает основу для поиска подходов уменьшения их негативного воздействия на окружающую среду (Мальцева и др. 2008⁴⁰²; Song et al. 2014⁴⁰³; Maltsev et al. 2017⁴⁰⁴; Seiderer et al. 2017⁴⁰⁵).

Одними из первых биологическое освоения субстратов промышленных отвалов начинают микроскопические эукариотические водоросли и цианопрокариоты (Song et al. 2014⁴⁰⁶; Patova et al. 2016⁴⁰⁷). Разнообразие физиологических особенностей, лабильность обмена веществ, высокая устойчивость к засухе, резким колебаниям влажности и температуры, недостатку и избытку света, засоленности субстрата и др. обеспечивают им возможность существования в неблагоприятных условиях экотопов промышленных отвалов. Среди основных приспособлений называют мелкие размеры клеток, образование внешних слизистых структур, накопление в клетках различных масел, дополнительных пигментов и др. (Голлербах, Штина 1969⁴⁰⁸; Hill et al. 1994⁴⁰⁹; Mazor et al. 1996⁴¹⁰; Сугачкова 2000⁴¹¹; Кабилов 2007⁴¹²).

Изучения состава водорослей и цианопрокариот различных промышленных отвалов начато в середине прошлого столетия (Rosa 1956⁴¹³, 1959⁴¹⁴; Тарчевский, Штина 1967⁴¹⁵) и на сегодня продолжается. Накоплены данные о составе водорослей и цианопрокариот отвалов угольных разработок (Куксн, Шушуева 1973⁴¹⁶; Шушуева 1977⁴¹⁷; Lukešová, Komárek 1987⁴¹⁸; Штина и др. 1989⁴¹⁹; Dorokhova 2003⁴²⁰; Patova et al. 2016⁴²¹),

⁴⁰² Мальцева, И. А., Адаменко, Ю. П., Жогло, Т. И., Писанець, З. Г., Мальцев, Е. И. (2008). Вплив надлишку плюмбуму і купрумуну на ґрунтови водорості. Екологія та ноосферологія, 19 (1-2), 134-137.

⁴⁰³ Song, Y., Shu, W., Wang, A., Liu, W. (2014). Characters of soil algae during primary succession on copper mine dumps. *Journal of soils and sediments*, 14, 577-583.

⁴⁰⁴ Maltsev, Y. I., Maltseva, I. A., Solonenko, A. N., Bren, A. G. (2017). Use of soil biota in the assessment of the ecological potential of urban soils. *Biosystems Diversity*, 25 (4), 257-262.

⁴⁰⁵ Seiderer, T., Venter, A., Van Wyk, F., Levanets, A., Jordaan, A. (2017). Growth of soil algae and cyanobacteria on gold mine tailings material. *South African journal of science*, 113 (11/12).

⁴⁰⁶ Song, Y., Shu, W., Wang, A., Liu, W. (2014). Characters of soil algae during primary succession on copper mine dumps. *Journal of soils and sediments*, 14, 577-583.

⁴⁰⁷ Patova, E. N., Kulyugina, E. E., Deneva, S. V. (2016). Processes of natural soil and vegetation recovery on a worked-out open pit coal mine (Bol'shezemel'skaya tundra). *Russian Journal of Ecology*, 47, 228.

⁴⁰⁸ Голлербах, М. М. & Штина, Э. А. (1969). Почвенные водоросли. Ленинград: Наука.

⁴⁰⁹ Hill, D. R., Peat, A., Potts, M. (1994). Biochemistry and structure of the glycan secreted by desiccation-tolerant *Nostoc commune* (Cyanobacteria). *Protoplasma*, 182 (3-4), 126-148.

⁴¹⁰ Mazor, G., Kidron, G. J., Vonshak, A., Abeliovich, A. (1996). The role of cyanobacterial exopolysaccharides in structuring desert microbial crusts. *FEMS Microbiology Ecology*, 21 (2), 121-130.

⁴¹¹ Сугачкова, Е. В. (2000). Влияние рекреационной нагрузки на сообщества почвенных водорослей. Уфа.

⁴¹² Кабилов, Р. Р. (2007). Использование альгологических критериев при экологическом прогнозировании антропогенной нагрузки на наземные экосистемы. *Успехи современного естествознания*, (3), 13.

⁴¹³ Rosa, K. (1956). Mikroflora a mikrofauna horicichhald u Sokolova. *Biologia*, 11 (9), 541-545.

⁴¹⁴ Rosa, K. (1959). Mikroedafon horicichhald u Sokolova. *Preslia*, (31), 36-43.

⁴¹⁵ Тарчевский, В. В., Штина, Э. А. (1967). Развитие водорослей на промышленных отвалах. Современное состояние и перспективы изучения почвенных водорослей в СССР. Киров, 146-150.

⁴¹⁶ Куксн, М. С., Шушуева, М. Г. (1973). Водоросли отвалов Лиственского угольного карьера Южного Кузбасса. Водоросли, грибы и лишайники лесостепной и лесной зон Сибири, 83-90.

⁴¹⁷ Шушуева, М. Г. (1977). Водоросли на отвалах угольных разработок в Кузбассе и их роль в почвообразовании. Развитие и значение водорослей в почвах Нечерноземной зоны. Пермь, 52-53.

⁴¹⁸ Lukešová, A., Komárek, J. (1987). Succession of soil algae on dumps from strip coal-mining in the Most Region (Czechoslovakia). *Folia Geobotanica et Phytotaxonomica*, 22 (4), 355-362.

⁴¹⁹ Штина, Э. А., Махонина, Г. И., Кондратьева, Т. П., Шабардина, Т. И. (1989). Альгофлора старых промышленных отвалов Урала и ее роль в биологической рекультивации. Растения и промышленная среда, 56-66.

⁴²⁰ Dorokhova, M. (2003). Diatom algae as indicators of echnogenic changes in soil adjacent to coal mine. *Algae and Biological State of Water. Acta Botanica Warmiae et Masuriae*, 3, 145-154.

железородных месторождений (Неганова, Ланина 1976⁴²²; Кабиров 1989⁴²³), золоотвалов и шламовых полей алюминиевых заводов (Штина и др. 1971⁴²⁴; Неганова, Пасынкова 1976⁴²⁵), отвалов при добыче меди (Пасынкова, Третьякова 1980⁴²⁶; Song et al. 2014⁴²⁷; Ssenku et al. 2014⁴²⁸), золота (Seiderer et al. 2017⁴²⁹), отвалов фосфогипса (Бачура, Храмченкова 2008⁴³⁰) и др. Установлено, что альгосообщества различных по происхождению и составу слагающих их пород отвалов отличаются по видовому составу, количественному соотношению систематических групп, жизненных форм или экобиоморф водорослей, численностью, составу доминирующих видов и др. характеристикам. Также они отличаются особенностями протекания первичных сукцессий.

Например, отвалы, образующиеся при добыче угля, колонизируются в первую очередь зелеными водорослями или цианопрокариотами. На отвалах около г. Соколово, где ведется добыча бурого угля, отмечено преобладание зеленых водорослей (Rosa 1956⁴³¹, 1959⁴³²; Lukešová, Komárek 1987⁴³³). Это виды *Coccomyxa* Schmidle (*C. dispar* Schmidle, *C. Subglobosa* Pascher, *C. Subellipsoidea* Acton), *Gloeocystis* Nägeli (*G. botryoides* (Kützing) Nägeli, *G. Vesiculosa* Nägeli), *Keratococcus* Pascher (*K. Rhaphidioides* Pascher, *K. Subulosus* Pascher), *Mesotaenium* Nägeli (*M. macrococcum* (Kützing) Royet Bissett, *M. endlicherianum* Nägeli, *M. Chlamydosporum* DeBary), *Stichococcus* Nägeli (*St. minor* Nägeli, *St. bacillaris* Nägeli, *St. fragilis* Gay), *Chlorella* Beyerinck [Beijerinck] и некоторые другие. Из диатомовых водорослей отмечены в основном виды из родов *Navicula* Bory, *Pinnularia* Ehrenberg и *Hantzschia* Grunow. Господство зеленых водорослей на субстратах изученных отвалов объяснялось их кислотностью (pH 4-4,35). Цианопрокариоты также были разнообразны в том числе и на свежесыпанных участках (Lukešová, Komárek 1987⁴³⁴).

⁴²¹ Patova, E. N., Kulyugina, E. E., Deneva, S. V. (2016). Processes of natural soil and vegetation recovery on a worked-out open pit coal mine (Bol'shezemel'skaya tundra). Russian Journal of Ecology, 47, 228.

⁴²² Неганова, Л. Б., Ланина, Р. И. (1976). Развитие водорослей на промышленных отвалах Соколовско-Сарбайского горнообогатительного комбината и возможности использования их в качестве биологических индикаторов свойств. Растения и промышленная среда, (4), 144-151.

⁴²³ Кабиров, Р. Р. (1989). Почвенные водоросли железородных отвалов Южного Урала. Ботанический журнал, 74 (2), 208-216.

⁴²⁴ Штина, Э. А., Шилова, И. И., Неганова, Л. Б. (1971). Начальный этап сингенеза растительности на шламовых отвалах алюминиевых заводов Урала. Экология, (4), 25-31.

⁴²⁵ Неганова, Л. Б., Пасынкова, М. В. (1976). Использование водорослей для индикации приемов окультуривания золоотвалов. Растения и промышленная среда, (4), 152-157.

⁴²⁶ Пасынкова, М. В., Третьякова, А. Н. (1980). Альгофлора на породных отвалах при добыче меди. Ботанические исследования на Урале (информационные материалы) АН СССР. Свердловск.

⁴²⁷ Song, Y., Shu, W., Wang, A., Liu, W. (2014). Characters of soil algae during primary succession on copper mine dumps. Journal of soils and sediments, 14, 577-583.

⁴²⁸ Ssenku, J. E., Ntale M., Backéus I., Oryem-Origa H. (2014). Assessment of Seedling Establishment and Growth Performance of *Leucaena leucocephala* (Lam.) De Wit., *Senna siamea* (Lam.) and *Eucalyptus grandis* W. Hill ex Maid. Journal of Biosciences and Medicines, 2, 33-50.

⁴²⁹ Seiderer, T., Venter, A., Van Wyk, F., Levanets, A., Jordaan, A. (2017). Growth of soil algae and cyanobacteria on gold mine tailings material. South African journal of science, 113 (11/12).

⁴³⁰ Бачура, Ю. М., Храмченкова, О. М. (2008). Особенности развития почвенных водорослей на отвалах фосфогипса. Современные проблемы альгологии: материалы междунар. науч. конф. и VII Школы по морской биологии, 9-13 июня 2008 г., Ростов-на-Дону. Ростов-на-Дону: Изд-во ЮНЦ РАН, 42-44.

⁴³¹ Rosa, K. (1956). Mikroflora a mikrofauna horicichhald u Sokolova. Biologia, 11 (9), 541-545.

⁴³² Rosa, K. (1959). Mikroedafon horicichhald u Sokolova. Preslia, (31), 36-43.

⁴³³ Lukešová, A., Komárek, J. (1987). Succession of soil algae on dumps from strip coal-mining in the Most Region (Czechoslovakia). Folia Geobotanica et Phytotaxonomica, 22 (4), 355-362.

⁴³⁴ Lukešová, A., Komárek, J. (1987). Succession of soil algae on dumps from strip coal-mining in the Most Region (Czechoslovakia). Folia Geobotanica et Phytotaxonomica, 22 (4), 355-362.

Подобные результаты получены при исследовании терриконов угольных шахт и обогатительных фабрик Донбасса (Липницкая 1974⁴³⁵; Мальцева, Посредникова 2011⁴³⁶; Мальцева, Чайка 2011⁴³⁷; Чайка, Мальцева 2013⁴³⁸), Карпинского угольного карьера (Неганова 1975⁴³⁹). На стадии окисления серы и ее соединений при pH 3,0-4,0 водоросли практически не встречались. Были найдены виды зеленых водорослей из родов *Chlorococcum* Meneghini, *Chlorella*, *Bracteacoccus* Tereg. В породе, которая находилась на стадии вымывания, видовой состав водорослей более разнообразен. Наряду с зелеными водорослями были замечены цианопрокариоты: *Phormidium tenue* (Agardh) Gomont, *Anagnostidiset* Komarek, *Aphanocapsa muscicola* (Meneghini) Wille и др., диатомовые: *Navicula* sp., *Pinnularia* sp. и эустигматофитовая *Eustigmatosma* (B. Petersen) Hibberd. В породе терриконов на стадии массового поселения высших растений видовой состав водорослей характеризовался постоянством и разнообразием видов.

Отличительной чертой альгоценозов отвалов угольных разработок Кузбасса была ведущая роль цианопрокариот в их составе (Шушуева 1973⁴⁴⁰, 1977⁴⁴¹). Они преобладали как по видовому многообразию, так и по численности. Всего же было выявлено 217 видов водорослей. Исследовались различные по составу (аргиллиты, алевролиты, песчаники, лессовые суглинки и др.) и способу образования (гидроотвалы, бестранспортные и автомобильные) отвалы, расположенные в степной, лесостепной и горно-таежной зонах. Наиболее разнообразно были представлены виды родов *Phormidium* Kützing ex Gomont, *Microcoleus* Desmazier ex Gomont, *Schizothrix* Kützing ex Gomont, *Plectonema* Thuret ex Gomont, *Lyngbya* C. Agardh Gomont.

Сообщества водорослей отвалов, образующихся при разработке железорудных месторождений, характеризуются различным составом и количеством видов, образующих их. Например, на отвалах Соколовско-Сарбайского горно-обогатительного комбината по добыче железных руд (Неганова, Ланина 1976⁴⁴²), составленных породами различного геологического возраста (четвертичного (супесчаные-суглинистые образования), третичного (чеганские глины, кремнистые и глинистые опоки) и мелового (кварцевые пески)), наиболее быстро водоросли колонизировали участки с четвертичными почвами. Неогеновые пески заселялись водорослями менее активно, поскольку они мало обеспечены элементами питания и характеризовались развитыми эрозионными процессами. В этих условиях преимущественно развивались представители Oscillatoriales. Хуже водоросли развивались на породах третичного и мелового возраста вследствие неблагоприятных физико-

⁴³⁵ Липницкая, Г. П. (1974). Про альгофлору породи терриконов вугільних шахт Донбасу. Інтродукція та експериментальна екологія рослин, (3), 63-64.

⁴³⁶ Мальцева, И. А., Посредникова, А. В. (2011). Вивчення альгофлоридеревних насаджень рекультивованого вугільного відвалу шахти Свято-Серафимівська (Донецька область). Чорноморський ботанічний журнал, 7 (2), 187-193.

⁴³⁷ Мальцева, И. А., Чайка, Н. И. (2011). Почвенные водоросли отвала угольной шахты Донецкой области. Біологічний вісник Мелітопольського державного педагогічного університету імені Богдана Хмельницького, 1 (3), 45-54.

⁴³⁸ Чайка, М., Мальцева, И. (2013). Структура та екологічні особливості альгофлори продних ґрунтів вугільних відвалів Донецької обл. Вісник Львівського університету. Серія географічна, (44), 379-387.

⁴³⁹ Неганова, Л. Б. (1975). Развитие почвенных водорослей на промышленных отвалах как первый этап их зарастания. Свердловск.

⁴⁴⁰ Шушуева, М. Г. (1973). Водорослевые группировки гидроотвалов Кузбасса. Водоросли, грибы и лишайники лесостепной и лесной зон Сибири. Новосибирск, 95-102.

⁴⁴¹ Шушуева, М. Г. (1977). Водоросли на отвалах угольных разработок в Кузбассе и их роль в почвообразовании. Развитие и значение водорослей в почвах Нечерноземной зоны. Пермь, 52-53.

⁴⁴² Неганова, Л. Б., Ланина, Р. И. (1976). Развитие водорослей на промышленных отвалах Соколовско-Сарбайского горнообогатительного комбината и возможности использования их в качестве биологических индикаторов свойств. Растения и промышленная среда, (4), 144-151.

химических (рН 2,5-3,0) и механических свойств, отсутствия элементов питания и усиленной ветровой эрозии. Встречались только виды-убииквисты.

На отвалах вскрышных пород железорудной добычи на Криворожье в сообществах, формирующихся под древесными насаждениями, отмечено высокое разнообразие зеленых и желтозеленых водорослей, а под рудерально-степной растительностью – зеленых водорослей и цианопрокариот (Мальцева и др. 2008⁴⁴³; Мальцева и др. 2009⁴⁴⁴; Мальцева, Баранова 2014⁴⁴⁵). Наиболее обедненный состав сообществ водорослей был зафиксирован на нерекультивированных участках хвостохранилищ образующихся в результате процессов обогащения железной руды. Видовое богатство отдельных сообществ водорослей хвостохранилищ колеблется от 1 до 27 видов. Наибольшим разнообразием на данных субстратах характеризуются зеленые водоросли и цианопрокариоты. Рекультивация отвалов суглинками и, особенно черноземом, активизировала развитие водорослей. На таких участках общее видовое богатство достигало 75 видов. Ведущая роль сохранялась за зелеными водорослями и цианопрокариотами (Мальцева и др. 2009⁴⁴⁶; Мальцева, Баранова 2014⁴⁴⁷).

Цианопрокариоты были самой разнообразной таксономической группой, за которой следовали диатомовые и зеленые водоросли на хвостохранилищах при добыче меди (Song et al. 2014⁴⁴⁸). Всего было зарегистрировано 120 видов водорослей. Наибольшее видовое разнообразие отмечалось на участках с высшей растительностью.

На золоотвалах (Неганова 1970⁴⁴⁹, 1971⁴⁵⁰), которые характеризуются бедностью питательных элементов, содержанием большого количества окисленных соединений железа, алюминия и имеют слабокислую или нейтральную реакцию солевой вытяжки раствора, сингенетическое развитие начинали одноклеточные зеленые (*Chlorella*, *Chlorococcum*), желтозеленые (*Botrydiopsis* Borzi, *Pleurochlori* sPascher) и азотфиксирующие цианопрокариоты. Ведущую роль играли цианопрокариоты, которые преобладали по видовому богатству. После азотфиксирующих цианопрокариот на отвалах поселялись нитчатые зеленые, неазотфиксирующие цианопрокариоты *Phormidium*, *Plectonema*, *Oscillatoria* Vaucherex Gomont.

На отвалах доломитовых разработок на Донбассе найдено 150 видов и форм водорослей, среди которых цианопрокариот – 87, зеленых – 31, желтозеленых – 17 и диатомовых – 15 (Мартынова 1989⁴⁵¹). Наибольшим разнообразием характеризовался

⁴⁴³ Мальцева, И. А., Сметана, О. М. & Баранова, О. О. (2008). Альгоугрупповання деревних насаджень та рудерально-степових фітоценозів Першотравневого відвалу на Криворіжжі. Екологія та ноосферологія, 20 (1-2), 132-135.

⁴⁴⁴ Мальцева, И. А., Баранова, О. О., Мальцев, Е. І. (2009). Альгоугрупповання біогеоценозів ландшафтно-техногенних систем Криворіжжя. Вісник Запорізького державного університету: Збірник наук. праць, (2), 20-23.

⁴⁴⁵ Мальцева, И. А., Баранова, О. А. (2014). Водоросли техногенних екотопов железорудного производства. Альгология, 24 (3), 350-353.

⁴⁴⁶ Мальцева, И. А., Баранова, О. О., Мальцев, Е. І. (2009). Альгоугрупповання біогеоценозів ландшафтно-техногенних систем Криворіжжя. Вісник Запорізького державного університету: Збірник наук. праць, (2), 20-23.

⁴⁴⁷ Мальцева, И. А., Баранова, О. А. (2014). Водоросли техногенных экотопов железорудного производства. Альгология, 24 (3), 350-353.

⁴⁴⁸ Song, Y., Shu, W., Wang, A., Liu, W. (2014). Characters of soil algae during primary succession on copper mine dumps. Journal of soils and sediments, 14, 577-583.

⁴⁴⁹ Неганова, Л. Б. (1970). О развитии водорослей на золоотвале Южно-Кузбасской ГРЭС г. Калтана. Проблемы комплексного изучения географического района и методика краеведческой работы в школе, 40-41.

⁴⁵⁰ Неганова, Л. Б. (1971). Развитие водорослей на промышленных. Растения и промышленная среда, 164-167.

⁴⁵¹ Мартынова, Е. А. (1989). Экологические аспекты формирования альгогруппировок на отвалах доломитовых разработок. Днепропетровск.

порядок Oscillatoriales. На свежих отвалах фосфогипса (Бачура, Храмченкова 2008⁴⁵²) водоросли формировали альгоценозы, в состав которых входили представители родов зеленых водорослей: *Chlamydomonas* Ehrenberg, *Chlorococcum*, *Tetracystis* Brownet Bold, *Bracteacoccus*, *Elliptochloris* Tschermak-Woess, *Chlorella*, *Pseudococcomyxa* Korschikov и один представитель цианопрокариот из рода *Nostoc* Vaucherex Bornet et Flahault. Дальнейшее развитие альгоценозов было связано с появлением желтозеленых и увеличением разнообразия как зеленых, так и желтозеленых.

Чаще всего среди пионерных организмов были отмечены одноклеточные зеленые и желтозеленые водоросли. Их находили на золоотвалах (Штина 1970⁴⁵³), шламовых отвалах алюминиевых заводов (Штина и др. 1970⁴⁵⁴; 1971⁴⁵⁵), отвалах разработок угольных (Липницкая 1974⁴⁵⁶; Неганова 1975⁴⁵⁷; Lukešová, Komárek 1987⁴⁵⁸) и железорудных месторождений (Неганова, Ланина 1976⁴⁵⁹; Кабиров 1989⁴⁶⁰). Реже в числе первых появляются цианопрокариоты (Штина, Неганова 1970⁴⁶¹; Куксн, Шушуева 1973⁴⁶²), хотя они считаются более экологически пластичными организмами, чем эукариотические водоросли, что связано с их принципиально другой организацией клетки.

В целом, как показали многочисленные исследования, структурные и функциональные особенности пионерных альгоценозов различных отвалов контролируются прежде всего абиотическими факторами. Наибольшее влияние оказывают физико-химические свойства субстратов, слагающих отвал. Это, прежде всего, pH, наличие токсических соединений и элементов, засоленность и др. (Ssenku et al. 2014⁴⁶³). На развитие водорослей значительное влияние имеет гранулометрический состав пород отвалов, орографические особенности отвалов и степень развития высшей растительности. Гранулометрический состав субстратов определяет их водопроницаемость, вододерживающую способность, воздушный режим и т.п. Легкие субстраты характеризуются большей сухостью, тяжелые, наоборот, имеют большую влагоемкость, но они слабводопроницаемы. Орографические параметры отвалов

⁴⁵² Бачура, Ю. М., Храмченкова, О. М. (2008). Особенности развития почвенных водорослей на отвалах фосфогипса. Современные проблемы альгологии: материалы междунар. науч. конф. и VII Школы по морской биологии, 9-13 июня 2008 г., Ростов-на-Дону. Ростов-на-Дону: Изд-во ЮНЦ РАН, 42-44.

⁴⁵³ Штина, Э. А. (1970). Развитие водорослей на промышленных отвалах. Растительность и промышленные загрязнения. – Свердловск, 1970. – С. 150-153.

⁴⁵⁴ Штина, Э. А., Неганова, Л. Б., Третьякова, А. Н. (1970). Роль азотфиксирующих водорослей в зарастании промышленных отвалов. Рекультивация в Сибири и на Урале, 117-124.

⁴⁵⁵ Штина, Э. А., Шилова, И. И., Неганова, Л. Б. (1971). Начальный этап сингенеза растительности на шламовых отвалах алюминиевых заводов Урала. Экология, (4), 25-31.

⁴⁵⁶ Липницкая, Г. П. (1974). Про альгофлору породи териконів вугільних шахт Донбасу. Інтродукція та експериментальна екологія рослин, (3), 63-64.

⁴⁵⁷ Неганова, Л. Б. (1975). Развитие почвенных водорослей на промышленных отвалах как первый этап их зарастания. Свердловск.

⁴⁵⁸ Lukešová, A., Komárek, J. (1987). Succession of soil algae on dumps from strip coal-mining in the Most Region (Czechoslovakia). Folia Geobotanica et Phytotaxonomica, 22 (4), 355-362.

⁴⁵⁹ Неганова, Л. Б., Ланина, Р. И. (1976). Развитие водорослей на промышленных отвалах Соколовско-Сарбайского горнообогатительного комбината и возможности использования их в качестве биологических индикаторов свойств. Растения и промышленная среда, (4), 144-151.

⁴⁶⁰ Кабиров, Р. Р. (1989). Почвенные водоросли железорудных отвалов Южного Урала. Ботанический журнал, 74 (2), 208-216.

⁴⁶¹ Неганова, Л. Б. (1970). О развитии водорослей на золоотвале Южно-Кузбасской ГРЭС г. Калтана. Проблемы комплексного изучения географического района и методика краеведческой работы в школе, 40-41.

⁴⁶² Куксн, М. С., Шушуева, М. Г. (1973). Водоросли отвалов Лиственского угольного карьера Южного Кузбасса. Водоросли, грибы и лишайники лесостепной и лесной зон Сибири, 83-90.

⁴⁶³ Ssenku, J. E., Ntale M., Backéus I., Oryem-Origa H. (2014). Assessment of Seedling Establishment and Growth Performance of *Leucaena leucocephala* (Lam.) De Wit., *Senna siamea* (Lam.) and *Eucalyptus grandis* W. Hill ex Maid. Journal of Biosciences and Medicines, 2, 33-50.

имеют значительное влияние на перераспределение климатических факторов и формирование микроклиматических условий. Наиболее благоприятными являются склоны северной экспозиции, где уровень инсоляции не способствует значительному перегреванию и высушиванию. Плохо зарастают склоны с уклоном более 20 градусов.

Обобщая сведения о колонизации водорослями техногенных отвалов, В. В. Тарчевский и Е. А. Штина (1967)⁴⁶⁴ выделили несколько стадий сукцессии. Первый этап зарастания отвалов начинается одноклеточными зелеными и желтозелеными водорослями, относящимися к убиквистам, и соответствует стадии аэрофитон. Дальнейшее развитие альгоценозов связано с появлением нитчатых цианопрокариот (эпилитофитон), затем – нитчатых форм зеленых водорослей (примитивных эдафон), и завершают формирование эдафона диатомовые водоросли. Как правило, появление нитчатых зеленых водорослей совпадает с поселением высших растений на отвале.

В последнее время, описывая первичные сукцессии на отвалах, все чаще используют понятие биологических почвенных корок. Биологические почвенные корки (БПК) образуются различными группами живых организмов и их побочными продуктами, создавая слой неорганических частиц толщиной в миллиметр, связанных органическими материалами. БПК встречаются на всех континентах Земли, в теплых засушливых и полузасушливых местах обитания, а также в других климатических зонах, где покров, обеспечиваемый высшими растениями, редок. Наряду с другими микроорганизмами, такими как гетеротрофные бактерии, археи и грибы, а также с макроскопическими лишайниками и бриофитами, цианопрокариоты и водоросли являются наиболее важными фототрофными компонентами БПК (Elbert et al. 2012⁴⁶⁵). Таким образом, БПК образуются, как правило, в экстремальных условиях. Их отмечали в пустынях, на соленых маршах, а также на различных промышленных отвалах и территориях, подлежащих рекультивации и мелиорации (Lukešová, Komárek 1987⁴⁶⁶; Song et al. 2014⁴⁶⁷; Rahmonov et al. 2015⁴⁶⁸; Szyja et al. 2018⁴⁶⁹). Развитие БПК происходит в несколько этапов. Например, на медных хвостохранилищах были выделены такие ряды сукцессии: голая земля, водорослевая корка, смешанная водорослево-моховая корка, моховая корка и растительность (Song et al. 2014⁴⁷⁰).

В результате развития водорослей на промышленных отвалах происходит накопление органического вещества, активизация микробиологической деятельности, скрепление частиц за счет слизистых выделений и непосредственного облетания нитями и др. Это способствует уменьшению эрозионных процессов, формированию почв и высшей растительности. Недавний обзор БПК, в состав которых входят водоросли и цианопрокариоты, продемонстрировал их важный экологический вклад в глобальную

⁴⁶⁴ Тарчевский, В. В., Штина, Э. А. (1967). Развитие водорослей на промышленных отвалах. Современное состояние и перспективы изучения почвенных водорослей в СССР. Киров, 146-150.

⁴⁶⁵ Elbert, W., Weber, B., Burrows, S., Steinkamp, J., Büdel, B., Andreae, M. O., Pöschl, U. (2012). Contribution of cryptogamic covers to the global cycles of carbon and nitrogen. *Nature Geoscience*, 5, 459-462.

⁴⁶⁶ Lukešová, A., Komárek, J. (1987). Succession of soil algae on dumps from strip coal-mining in the Most Region (Czechoslovakia). *Folia Geobotanica et Phytotaxonomica*, 22 (4), 355-362.

⁴⁶⁷ Song, Y., Shu, W., Wang, A., Liu, W. (2014). Characters of soil algae during primary succession on copper mine dumps. *Journal of soils and sediments*, 14, 577-583.

⁴⁶⁸ Rahmonov, O., Cabala, J. M., Bednarek, R., Rožek, D., Florkiewicz, A. (2015). Role of Soil Algae on the Initial Stages of Soil Formation in Sandy Polluted Areas.

⁴⁶⁹ Szyja, M., Büdel, B., Colesie, C. (2018). Ecophysiological characterization of early successional biological soil crusts in heavily human-impacted areas. *Biogeosciences*, 15, 1919-1931.

⁴⁷⁰ Song, Y., Shu, W., Wang, A., Liu, W. (2014). Characters of soil algae during primary succession on copper mine dumps. *Journal of soils and sediments*, 14, 577-583.

фиксацию углерода (С) (около 7% земной растительности) и азотную (N) фиксацию (около 46% биологической фиксации N в земной среде) (Elbert et al. 2012⁴⁷¹).

С появлением и формированием на отвалах высших растений состав альгосообществ меняется. Под пологом высших растений уменьшается освещение, увеличивается конкуренция за элементы питания, увеличивается плотность и многообразие гетеротрофов, среди которых много альгофагов и водорослевых антагонистов. Таким образом, высшие растения формируют другие микроклиматические условия, эктопический отбор постепенно замещается биотическим. Вместе с изменением состава альгоценозов наблюдается стабилизация показателей их биомассы.

Однако, сингенетические процессы на промышленных отвалах часто очень медленные. Для их активизации проводят различные рекультивационные мероприятия, которые положительно влияют также на развитие почвенных водорослей, цианопрокариот и, соответственно, ускоряют процесс формирования экосистем. Используют внесение удобрений, землевание, добавление торфа, компоста и др.

Например, стимуляция развития водорослей наблюдалась при нанесении почвенного слоя на субстраты отвалов с неблагоприятными физико-химическими свойствами (засоленность, кислая реакция среды, бедность питательными элементами) вместе с посевом культур эспарцета, люцерны и др. и добавлением азотных удобрений, орошении золоотвалов сточными бытовыми водами (Неганова 1975⁴⁷²).

На шламовых отвалах алюминиевых заводов Урала, зарастание которых происходит медленно вследствие неблагоприятных эдафических условий, добавление почвы, как показали Э. А. Штина и др. (1971)⁴⁷³, усилило развитие водорослей, особенно цианопрокариот, а *Microcoleus vaginatus* (Vaucher) Gomont образовывал поверхностные пленки.

Нанесение черноземного покрытия на субстраты отвалов промышленного комплекса Марицы-Изоток (Драганов, Мешинев 1971⁴⁷⁴) активизировало развитие водорослей и формирования водорослевых группировок, близких по составу к целинным участкам, прилегающим к отвалам. На немелиорированных участках развивалась незначительное количество видов. Подчеркивается, что на целинных почвах значительная роль принадлежит видам Nostocales, в то время, как в рекультивационных горизонтах преобладают представители Oscillatoriales. Однако, например, добавление удобрений (азот-фосфор-калий) увеличивали часть Nostocales и они вместе с Oscillatoriales были представлены практически в одинаковом соотношении. Определенное влияние на состав водорослевых группировок имела сельскохозяйственная культура, которая высевалась на опытных участках (люцерна, пшеница и др.).

По данным Л. Б. Негановой и М. В. Пасынковой (1976)⁴⁷⁵, добавление к золе почвы, торфа, минеральных удобрений в различных количествах в лабораторных условиях, посева трав, внесение минеральных удобрений, нанесение 2 см почвенного слоя на золоотвал в полевых условиях положительно влияли на развитие водорослей. Более эффективным в

⁴⁷¹ Elbert, W., Weber, B., Burrows, S., Steinkamp, J., Büdel, B., Andreae, M. O., Pöschl, U. (2012). Contribution of cryptogamic covers to the global cycles of carbon and nitrogen. *Nature Geoscience*, 5, 459-462.

⁴⁷² Неганова, Л. Б. (1975). Развитие почвенных водорослей на промышленных отвалах как первый этап их зарастания. Свердловск.

⁴⁷³ Штина, Э. А., Шилова, И. И., Неганова, Л. Б. (1971). Начальный этап сингенеза растительности на шламовых отвалах алюминиевых заводов Урала. *Экология*, (4), 25-31.

⁴⁷⁴ Драганов, С. И., Мешинев, Т. А. (1971). Исследования вверху състава и разпространението на водораслите в насипищата на промишления комплекс «Марица-Изоток». *Годишник на Биологическая факультет-Ботаника*, 63 (25), 65-73.

⁴⁷⁵ Неганова, Л. Б., Пасынкова, М. В. (1976). Использование водорослей для индикации приемов окультуривания золоотвалов. *Растения и промышленная среда*, (4), 152-157.

полевых условиях было нанесение почвенного слоя на отвал, по сравнению с внесением удобрений.

Регулировать развитие водорослей и цианобактерий на поверхности отвалов, как показали различные исследования, можно не только проведением агротехнических и мелиоративных мероприятий, но и посредством альгализации – внесения культур живых водорослей, симбиотических альгоконсорциумов др. (Штина 1991⁴⁷⁶). На субстратах промышленных отвалов при инокуляции выживают не все виды водорослей и цианобактерий. Например, при внесении в лабораторных условиях на поверхность шахтной породы суспензию, содержащую клетки 19 видов водорослей и цианобактерий, через месяц культивации было обнаружено только 6 (Мальцева 2000⁴⁷⁷). Коэффициент экотопического отбора составил 96%. Это свидетельствовало, что данная шахтная порода не пригодна к биологической рекультивации без проведения мелиоративных мероприятий. Более благоприятными оказались породы отвалов доломитовых разработок. Коэффициент экотопического отбора составил 76% (Мартынова 1988⁴⁷⁸).

Положительный опыт образования почвенных биологических корок путем внесения представителей родов *Chlamydomonas*, *Microcoleus* и *Nostoc* получен, например, на хвостохранилищах золотоносных рудников (Seiderer et al. 2017⁴⁷⁹). Стимуляция образования биологических почвенных корок на поверхности промышленных отвалов, в том числе с использованием живых культур водорослей, в настоящее время рассматривается как достаточно дешевый и эффективный способ их ревитализации (Seiderer et al. 2017⁴⁸⁰).

Таким образом, водоросли и цианобактерии играют важную роль в освоении экотопов антропогенного происхождения. Они являются первопоселенцами таких территорий и иницируют первичные сукцессии. С их жизнедеятельностью связаны процессы первичного почвообразования, закрепления поверхности отвалов и уменьшения их негативного влияния на окружающую среду вследствие водной и ветровой эрозии. Исследование пионерных группировок позволяет диагностировать экологический потенциал субстратов техногенных объектов и разрабатывать проекты их ревитализации, в том числе, с использованием таких процедур как инокуляция водорослей и цианобактерий с последующей стимуляцией их развития, а также иных мероприятий, повышающих активность развития почвенных водорослей и цианобактерий, развития биологических почвенных корок и высшей растительности. Имеющаяся информация на данный период позволяет перейти к этапу целенаправленного поиска организмов-колонизаторов антропогенных экотопов. Основой таких исследований должна стать процедура баркодинга водорослей и цианобактерий техногенных объектов. Она поможет вывести на новый уровень поиск видов обладающих высокой стойкостью к фитоагрессивным параметрам эдафотопов отвалов.

Литература:

1. Бачура, Ю. М. & Храмченкова, О. М. (2008). Особенности развития почвенных водорослей на отвалах фосфогипса. Современные проблемы альгологии: материалы междунар. науч. конф. и

⁴⁷⁶ Штина, Э. А. (1991). Регулирование развития водорослей в почве. Почвоведение, (8), 57-65.

⁴⁷⁷ Мальцева, I. A. (2000). Діагностика придатності шахтних порід для біологічної рекультивациі за допомогою ґрунтових водоростей. Питання біоіндикації та екології: Збірник наукових праць, 5 (3), 194-199.

⁴⁷⁸ Мартынова, Е. А. (1988). Индикация пригодности вскрышных пород доломитовых отвалов к биологической рекультивации с помощью почвенных водорослей. Проблемы рекультивации нарушенных земель, 46-47.

⁴⁷⁹ Seiderer, T., Venter, A., Van Wyk, F., Levanets, A., Jordaan, A. (2017). Growth of soil algae and cyanobacteria on gold mine tailings material. South African journal of science, 113 (11/12).

⁴⁸⁰ Seiderer, T., Venter, A., Van Wyk, F., Levanets, A., Jordaan, A. (2017). Growth of soil algae and cyanobacteria on gold mine tailings material. South African journal of science, 113 (11/12).

- VII Школы по морской биологии, 9-13 июня 2008 г., Ростов-на-Дону. Ростов-на-Дону: Изд-во ЮНЦ РАН, 42-44.
2. Генник, Я. В. (2013). Технологічна класифікація порушених екосистем з метою їх ревіталізації. *Наук. вісн. НЛТУУ*, 23 (3), 103-108.
 3. Голлербах, М. М. & Штина, Э. А. (1969). Почвенные водоросли. Ленинград: Наука.
 4. Драганов, С. И. & Мешинев, Т. А. (1971). Исследования вверху състава и разпространението на водораслите в насипищата на промишления комплекс «Марица-Изоток». *Годишник на Биологическая факультет-Ботаника*, 63 (25), 65-73.
 5. Кабиров, Р. Р. (1989). Почвенные водоросли железорудных отвалов Южного Урала. *Ботанический журнал*, 74 (2), 208-216.
 6. Кабиров, Р. Р. (2007). Использование альгологических критериев при экологическом прогнозировании антропогенной нагрузки на наземные экосистемы. *Успехи современного естествознания*, (3), 13.
 7. Куксн, М. С. & Шушуева, М. Г. (1973). Водоросли отвалов Лиственского угольного карьера Южного Кузбасса. Водоросли, грибы и лишайники лесостепной и лесной зон Сибири, 83-90.
 8. Липницкая, Г. П. (1974). Про альгофлору породи териконів вугільних шахт Донбасу. *Інтродукція та експериментальна екологія рослин*, (3), 63-64.
 9. Мальцева, І. А. (2000). Діагностика придатності шахтних порід для біологічної рекультивації за допомогою ґрунтових водоростей. *Питання біоіндикації та екології: Збірник наукових праць*, 5 (3), 194-199.
 10. Мальцева, І. А., Адаменко, Ю. П., Жогло, Т. І., Писанець, З. Г. & Мальцев, Є. І. (2008). Вплив надлишку плюмбуму і купрум на ґрунтові водорості. *Екологія та ноосферологія*, 19 (1-2), 134-137.
 11. Мальцева, І. А. & Баранова, О. А. (2014). Водоросли техногенних екотопов железорудного производства. *Альгологія*, 24 (3), 350-353.
 12. Мальцева, І. А., Баранова, О. О. & Мальцев, Є. І. (2009). Альгогрупування біогеоценозів ландшафтно-техногенних систем Криворіжжя. *Вісник Запорізького державного університету: Збірник наукових праць*, (2), 20-23.
 13. Мальцева, І. А. & Посреднікова, А. В. (2011). Вивчення альгофлоридеревних насаджень рекультивованого вугільного відвалу шахти Свято-Серафимівська (Донецька область). *Чорноморський ботанічний журнал*, 7 (2), 187-193.
 14. Мальцева, І. А., Сметана, О. М. & Баранова, О. О. (2008). Альгогрупування деревних насаджень та рудерально-степових фітоценозів Першотравневого відвалу на Криворіжжі. *Екологія та ноосферологія*, 20 (1-2), 132-135.
 15. Мальцева, І. А. & Чайка, Н. И. (2011). Почвенные водоросли отвала угольной шахты Донецкой области. *Біологічний вісник Мелітопольського державного педагогічного університету імені Богдана Хмельницького*, 1 (3), 45-54.
 16. Мартынова, Е. А. (1988). Индикация пригодности вскрышных пород доломитовых отвалов к биологической рекультивации с помощью почвенных водорослей. *Проблемы рекультивации нарушенных земель*, 46-47.
 17. Мартынова, Е. А. (1989). Экологические аспекты формирования альгогруппировок на отвалах доломитовых разработок. *Днепропетровск*.
 18. Неганова, Л. Б. (1970). О развитии водорослей на золоотвале Южно-Кузбасской ГРЭС г. Калтана. *Проблемы комплексного изучения географического района и методика краеведческой работы в школе*, 40-41.
 19. Неганова, Л. Б. (1971). Развитие водорослей на промышленных. *Растения и промышленная среда*, 164-167.
 20. Неганова, Л. Б. (1975). Развитие почвенных водорослей на промышленных отвалах как первый этап их зарастания. *Свердловск*.
 21. Неганова, Л. Б. & Ланина, Р. И. (1976). Развитие водорослей на промышленных отвалах Соколовско-Сарбайского горнообогатительного комбината и возможности использования их в качестве биологических индикаторов свойств. *Растения и промышленная среда*, (4), 144-151.
 22. Неганова, Л. Б. & Пасынкова, М. В. (1976). Использование водорослей для индикации приемов окультуривания золоотвалов. *Растения и промышленная среда*, (4), 152-157.

23. Пасынкова, М. В. & Третьякова, А. Н. (1980). Альгофлора на породных отвалах при добыче меди. Ботанические исследования на Урале (информационные материалы) АН СССР. Свердловск.
24. Сугачкова, Е. В. (2000). Влияние рекреационной нагрузки на сообщества почвенных водорослей. Уфа.
25. Тарчевский, В. В. & Штина, Э. А. (1967). Развитие водорослей на промышленных отвалах. Современное состояние и перспективы изучения почвенных водорослей в СССР. Киров, 146-150.
26. Чайка, М., & Мальцева, I. (2013). Структура та екологічні особливі альгофлори продних ґрунтів вугільних відвалів Донецької обл. Вісник Львівського університету. Серія географічна, (44), 379-387.
27. Штина, Э. А. (1970). Развитие водорослей на промышленных отвалах. Растительность и промышленные загрязнения. – Свердловск, 1970. – С. 150-153.
28. Штина, Э. А. (1991). Регулирование развития водорослей в почве. Почвоведение, (8), 57-65.
29. Штина, Э. А., Махонина, Г. И., Кондратьева, Т. П. & Шабардина, Т. И. (1989). Альгофлора старых промышленных отвалов Урала и ее роль в биологической рекультивации. Растения и промышленная среда, 56-66.
30. Штина, Э. А., Неганова, Л. Б. & Третьякова, А. Н. (1970). Роль азотфиксирующих водорослей в зарастании промышленных отвалов. Рекультивация в Сибири и на Урале, 117-124.
31. Штина, Э. А., Шилова, И. И. & Неганова, Л. Б. (1971). Начальный этап сингенеза растительности на шламовых отвалах алюминиевых заводов Урала. Экология, (4), 25-31.
32. Шушуева, М. Г. (1973). Водорослевые группировки гидроотвалов Кузбасса. Водоросли, грибы и лишайники лесостепной и лесной зон Сибири. Новосибирск, 95-102.
33. Шушуева, М. Г. (1977). Водоросли на отвалах угольных разработок в Кузбассе и их роль в почвообразовании. Развитие и значение водорослей в почвах Нечерноземной зоны. Пермь, 52-53.
34. Dorokhova, M. (2003). Diatom algae as indicators of echnogenic changes in soil adjacent to coal mine. Algae and Biological State of Water. Acta Botanica Warmiae et Masuriae, 3, 145-154.
35. Elbert, W., Weber, B., Burrows, S., Steinkamp, J., Büdel, B., Andreae, M. O., & Pöschl, U. (2012). Contribution of cryptogamic covers to the global cycles of carbon and nitrogen. Nature Geoscience, 5, 459-462.
36. Hill, D. R., Peat, A. & Potts, M. (1994). Biochemistry and structure of the glycan secreted by desiccation-tolerant *Nostoc commune* (Cyanobacteria). Protoplasma, 182 (3-4), 126-148.
37. Lukešova, A. & Komárek, J. (1987). Succession of soil algae on dumps from strip coal-mining in the Most Region (Czechoslovakia). Folia Geobotanica et Phytotaxonomica, 22 (4), 355-362.
38. Mazar, G., Kidron, G. J., Vonshak, A. & Abeliovich, A. (1996). The role of cyanobacterial exopolysaccharides in structuring desert microbial crusts. FEMS Microbiology Ecology, 21 (2), 121-130.
39. Maltsev, Y. I., Maltseva, I. A., Solonenko, A. N. & Bren, A. G. (2017). Use of soil biota in the assessment of theecological potential of urban soils. Biosystems Diversity, 25 (4), 257-262.
40. Patova, E. N., Kulyugina, E. E. & Deneva, S. V. (2016). Processes of natural soil and vegetation recovery on a worked-out open pit coal mine (Bol'shezemel'skaya tundra). Russian Journal of Ecology, 47, 228.
41. Rahmonov, O., Cabala, J. M., Bednarek, R., Rožek, D., & Florkiewicz, A. (2015). Role of Soil Algae on the Initial Stages of Soil Formation in Sandy Polluted Areas.
42. Rosa, K. (1956). Mikroflora a mikrofauna horicichald u Sokolova. Biologia, 11 (9), 541-545.
43. Rosa, K. (1959). Mikroedafon horicichald u Sokolova. Preslia, (31), 36-43.
44. Seiderer, T., Venter, A., Van Wyk, F., Levanets, A. & Jordaan, A. (2017). Growth of soil algae and cyanobacteria on gold mine tailings material. South African journal of science, 113 (11/12).
45. Song, Y., Shu, W., Wang, A. & Liu, W. (2014). Characters of soil algae during primary succession on copper mine dumps. Journal of soils and sediments, 14, 577-583.
46. Ssenku, J. E., Ntale M., Backéus I. & Oryem-Origa H. (2014). Assessment of Seedling Establishment and Growth Performance of *Leucaenaleucocephala* (Lam.) De Wit., *Senna siamea* (Lam.) and *Eucalyptus grandis* W. Hill ex Maid. Journal of Biosciences and Medicines, 2, 33-50.
47. Szyja, M., Büdel, B. & Colesie, C. (2018). Ecophysiological characterization of early successional biological soil crusts in heavily human-impacted areas. Biogeosciences, 15, 1919-1931.

3.9. Methodology of determination of characteristic of fireproof capability of coatings of hollow core metal deck slabs

3.9. Методика определения характеристики огнезащитной способности покрытий многослойных железобетонных плит перекрытий

Как известно из литературных данных, в результате прогрева арматуры железобетонных конструкций до 500°C арматурная сталь теряет свои свойства и не выполняет несущей функции.

Так в ⁴⁸¹ предельное состояние конструкции при пожаре характеризуется критическими температурами нагрева арматуры и бетона и предельными усилиями в результате снижения сопротивления бетона и арматуры от нагрева.

В ⁴⁸² предел огнестойкости изгибаемых и внецентренно сжатых с большим эксцентриситетом элементов по потере несущей способности зависит от критической температуры нагрева арматуры.

⁴⁸³ гласит, что для определения несущей способности конструкции считается достаточным также и оценка по критическим температурам материалов конструкций (сталь, бетон и т.д.), что имеет для несущей способности решающее значение.

В ⁴⁸⁴ сказано, что предел огнестойкости железобетонной конструкции наступает при прогреве рабочей арматуры в конструкции до критической температуры, а также при нагреве бетона в расчетном сечении выше его критической температуры. Критическая температура нагрева арматуры $t_{s,cr}$ характеризует стадию образования пластического шарнира в растянутой зоне железобетонных конструкций и наступление предела огнестойкости при огневом воздействии. Критическая температура нагрева арматуры $t_{s,cr}$, при которой образуется пластический шарнир и наступает предел огнестойкости, ориентировочно равна для арматуры класса: А240, А300 – 510°C, А400 – 550°C; А500, А540 – 520°C; В500 – 430°C; Вр1200-Вр1500, К1400 и К1500 – 410°C.

В ⁴⁸⁵ дается определение критической температуры, как температуры конструкции или ее элемента, при достижении которой наступает предельное состояние по несущей способности.

Таким образом, как описано выше, критическая температура нагрева арматуры железобетонной конструкции должна учитываться при определении предела огнестойкости конструкции по потере несущей способности R. Так как в ⁴⁸⁶ такой критерий для определения предела огнестойкости конструкции по потере несущей способности не предусмотрен, то мы вводим такой критерий для определения характеристики огнезащитной способности (ХОС) покрытий железобетонных конструкций.

⁴⁸¹ Милованов А. Ф. Стойкость железобетонных конструкций при пожаре / М.: Стройиздат, 1998. – 304 с.: ил. – ISBN 5-274-01695-2.

⁴⁸² Пособие по определению пределов огнестойкости конструкций, пределов распространения огня по конструкциям и групп возгораемости материалов (к СНиП II-2-80) / ЦНИИСК им. Кучеренко. – М.: Стройиздат, 1985. – 56 с.

⁴⁸³ СТ ЭВ 1000-78 «Противопожарные нормы строительного проектирования. Метод испытания строительных конструкций на огнестойкость».

⁴⁸⁴ Правила по обеспечению огнестойкости и огнесохранности железобетонных конструкций: СТО 36554501-006-2006. – М.: ФГУП «НИЦ «Строительство», 2006. – 118 с.

⁴⁸⁵ Мосалков И. Л. Огнестойкость строительных конструкций / Мосалков И. Л., Плюснина Г. Ф., Фролов А. Ю. – Москва: ЗАО «Спецтехника», 2001. – 496 с.

⁴⁸⁶ Захист від пожежі. Будівельні конструкції. Методи випробування на вогнестійкість. Загальні вимоги (ISO 834:1975): ДСТУ Б В.1.1-4-98. – [Чинний від 1998-10-28]. – К.: Укрархбудинформ, 1999. – 21с. – (Державний стандарт України).

В работе предлагается определять ХОС покрытия, как отношение толщины покрытия к толщине защитного слоя бетона (расстояние от нагреваемой поверхности до арматуры) для данного размера арматуры и шага между арматурами, при которых наступает предел огнестойкости железобетонной конструкции по критерию потери несущей способности, а именно достижению критической температуры арматуры, а также по достижению на не обогреваемой поверхности плиты температуры, на 140°C превышающей начальную температуру (по теплоизолирующей способности).

На данный момент выпускаются различные многопустотные железобетонные плиты перекрытия в соответствии с ⁴⁸⁷, в котором указаны длина, ширина, высота плиты, диаметр пустот, толщина защитного слоя бетона, а также тип, диаметры арматуры, которые оказывают влияние на определение ХОС.

Для определения огнестойкости плит перекрытия используется критерий, основанный на определении температуры на не обогреваемой поверхности конструкции⁴⁸⁸. Большое значение при этом имеет правильно измеренная температура, а именно правильность размещения термодатчиков на не обогреваемой поверхности плиты, над пустотами перекрытия или над бетоном между пустотами (Рис. 1). Разница температур, как будет показано ниже, может достигать до 20°C . Измерение температуры на арматуре в этом документе не предусмотрено, хотя она оказывает решающее влияние при определении огнестойкости железобетонных конструкций, в частности многопустотных плит перекрытия.

Поэтому для определения ХОС нужна методика, позволяющая рассчитывать распределение температур плит перекрытия, а также температуру прогрева арматуры, что необходимо для анализа огнестойкости.

Целью работы является разработка методики определения ХОС покрытий железобетонных плит перекрытий по критерию потери несущей способности (перегрев арматуры выше критической температуры 500°C) или теплоизолирующей способности и применение МО для определения ХОС покрытий железобетонных конструкций по результатам их испытаний на огнестойкость основе одно- (1D) и двухмерных (2D) моделей теплопроводности.

Решить такую задачу с помощью испытаний на огнестойкость практически невозможно, поэтому применяется расчетно-экспериментальный метод (РЭМ)⁴⁸⁹, который является совокупностью экспериментальных и расчетных процедур, позволяющих принципиально определить искомую характеристику исследуемого объекта, в нашем случае ХОС штукатурного покрытия.

Исследуемый объект и математическая модель, описывающая основные физические процессы, происходящие в объекте, позволяют получать соответственно экспериментальную характеристику ($T_{\text{э}}$) и рассчитывать модельную характеристику ($T_{\text{м}}$). В свою очередь эти характеристики зависят от ряда входных параметров (P) физического или технологического характера.

В нашем случае к таким параметрам (P) относятся теплофизические характеристики (ТФХ) бетона и штукатурного покрытия, – теплопроводность и теплоемкость. Параметры (P), как правило, неизвестны и их определение возможно с помощью решения обратных задач по данным экспериментальных измерений $T_{\text{э}}$. Решение обратных задач сводится к поиску

⁴⁸⁷ Плиты перекрытий железобетонные многопустотные для зданий и сооружений: ГОСТ 9561–91. – [Чинний від 1992–01–01]. – М. – 1992.

⁴⁸⁸ Захист від пожежі. Перекриття та покриття. Метод випробування на вогнестійкість (EN 1365–2:1999, NEQ): ДСТУ Б В.1.1–20:2007. – [Чинний від 2007–10–26]. – К.: Мінрегіонбуд України, 2007. – 14 с. – (Національний стандарт України).

⁴⁸⁹ Круковский П. Г. Обратные задачи тепломассопереноса (общий инженерный подход) / Павел Григорьевич Круковский. – К.: Ин-т технической теплофизики НАН Украины, 1998. – 224 с.

таких значений P , для которых расчетные (T_M) и экспериментальные (T_{Σ}) значения некоторых характеристик (в нашем случае тепловых) становятся близкими друг к другу.

Критерием близости этих характеристик наиболее часто является минимум или равенство величины (P) значению среднеквадратической ошибки измерения δ .

$$F(P) = \sqrt{\frac{\sum_{j=1}^m (T_{M,j} - T_{\Sigma,j})^2}{m}} \approx \delta \quad (1)$$

где m – число экспериментальных измерений, используемых для решения обратной задачи.

Для достижения цели были поставлены и решены следующие подзадачи:

1. Провести анализ испытания на огнестойкость железобетонной плиты перекрытия с арматурой, пустотами, без и с огнезащитным покрытием (штукатуркой) при нагреве в условиях стандартной кривой для выбора физической и математической моделей процесса нагрева перекрытия, а также схему решения ОЗТ для определения теплофизических характеристик (ТФХ) бетона и покрытия.

2. Провести анализ особенностей нагрева железобетонной плиты перекрытия с арматурой, пустотами и огнезащитным покрытием (штукатуркой) при нагреве в условиях стандартного температурного режима при нагреве с обогреваемой и охлаждении с не обогреваемой поверхностей. Выбрать ТФХ бетона, арматуры, воздуха и штукатурки. Разработать 2D физическую и компьютерную модели в программной среде ANSYS FLUENT для проверки особенностей нагрева плиты перекрытия и подтверждения применимости 1D модели в программной среде FRIEND при определении ТФХ и ХОС огнезащитных покрытий решением прямых (ПЗТ) и обратных (ОЗТ) задач теплопроводности.

3. Разработать 1D 5-ти слойную физическую и компьютерную модели железобетонной плиты перекрытия с эквивалентными по толщине слоями бетона, арматуры и слоя бетона с пустотами.

4. Разработать методику расчета эквивалентных по толщине слоев бетона, арматуры и слоя бетона с пустотами для 1D модели.

5. Решением серии ПЗТ для 1D модели получить зависимости температур от времени на не обогреваемой поверхности плиты, на арматуре и на обогреваемой поверхности при стандартном температурном режиме и сравнить их с температурами, полученными с помощью 2D модели.

6. Апробировать разработанную методику при определении ХОС штукатурного покрытия «Эндотерм 210104» по результатам испытаний на огнестойкость многпустотных плит перекрытия при использовании критериев превышения критической температуры арматуры и теплоизолирующей способности перекрытий.

Для определения ХОС покрытий железобетонных конструкций нужно искать ТФХ слоев бетона и покрытий методом решения ОЗТ, которые наиболее эффективно решаются на основе одномерных 1D моделей. Для этого нужно разработать одномерную 1D эквивалентную модель теплового состояния конструкции (например, в программной среде FRIEND⁴⁹⁰), для которой найти такие эквивалентные толщины слоя арматуры, пустот и других слоев перекрытия, которые дают распределения температур на не обогреваемой поверхности железобетонной конструкции, такие же, как и в 2D модели, реализуемой в программе ANSYS FLUENT.

⁴⁹⁰ Круковский П. Г. Обратные задачи тепломассопереноса (общий инженерный подход) / Павел Григорьевич Круковский. – К.: Ин-т технической теплофизики НАН Украины, 1998. – 224 с.

Для этого были проведены испытания многопустотных плит перекрытия, сначала без огнезащитного покрытия (Рис. 2), а потом и с огнезащитой (Рис. 3). На первом этапе стояла задача определения ТФХ слоев бетона для дальнейшего их использования при нахождении ТФХ штукатурного покрытия.

Испытаниям подвергались два образца плит перекрытия железобетонных многопустотных 1ПК48.12-6А500С без штукатурного покрытия с предварительно напряженной арматурой А500С общими фактическими размерами: длина – 4780 мм, ширина – 1170 мм (сверху плиты), 1200 мм (снизу плиты); высота – 220 мм (Рис. 1а).

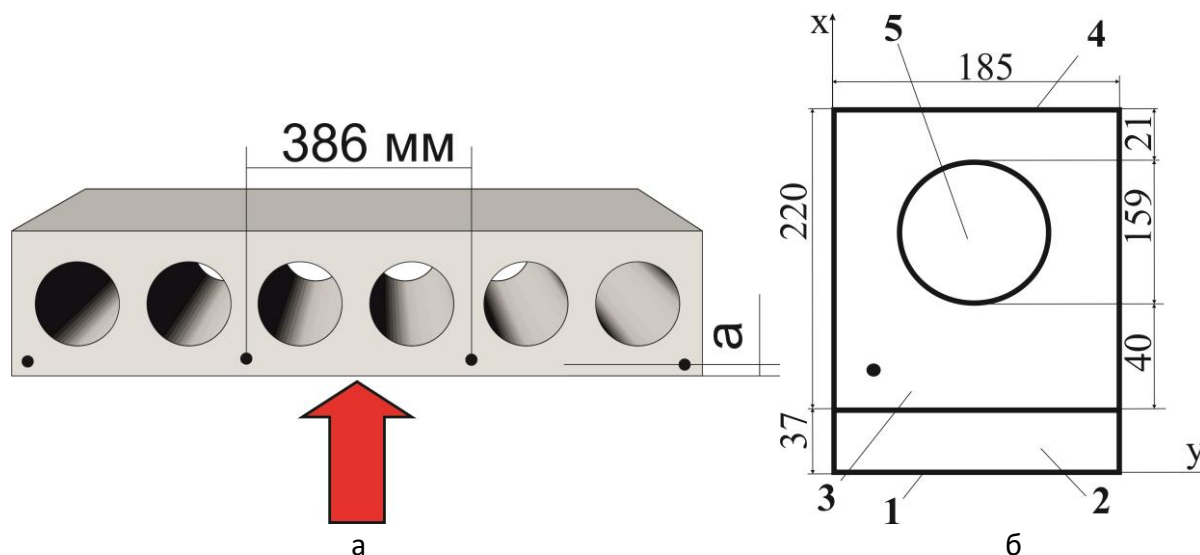


Рис. 1. Общий вид железобетонной многопустотной плиты перекрытия без огнезащитного покрытия (а)

и схема периодической части (фрагмента) плиты, используемая в 2D моделировании (б)
 На схеме: 1 – обогреваемая поверхность плиты, 2 – огнезащитная штукатурка, 3 – бетонное перекрытие, 4 – необогреваемая поверхность, 5 – пустота (полость) плиты

Армирование из нижней части плиты осуществлено 4-мя несущими продольными арматурами $\varnothing 12$ мм А500С ДСТУ 3760-98 с предварительным напряжением. Значения толщины защитного слоя бетона до нижней несущей предварительно напряженной арматуры составляет 20 мм. Плита выполнена из бетона класса В-15. Каждый образец устанавливался согласно⁴⁹¹ опиранием с двух сторон на отверстие горизонтальной печи с возможностью огневого воздействия на него с нижней стороны и нагружался грузами из калиброванных бетонных блоков через восемь распределительных балок. Фактическая нагрузка на образцы установлена, исходя из создания в плитах напряжений, соответствующих напряжениям от удельной распределительной нагрузки 350 кг/м². Для измерения средней и температуры на не обогреваемой поверхности каждого образца было установлено по 5 термодатчиков (Т1–Т5), одна термодатчика (Т1) в центре образца и четыре в геометрических центрах четвертей образца (Рис. 2 для испытания без штукатурки). Испытания проводились при температуре воздуха 14°C, относительной влажности воздуха 60%.

⁴⁹¹ Захист від пожежі. Переkritтя та покриття. Метод випробування на вогнестійкість (EN 1365–2:1999, NEQ): ДСТУ Б В.1.1–20:2007. – [Чинний від 2007–10–26]. – К.: Мінрегіонбуд України, 2007. – 14 с. – (Національний стандарт України).

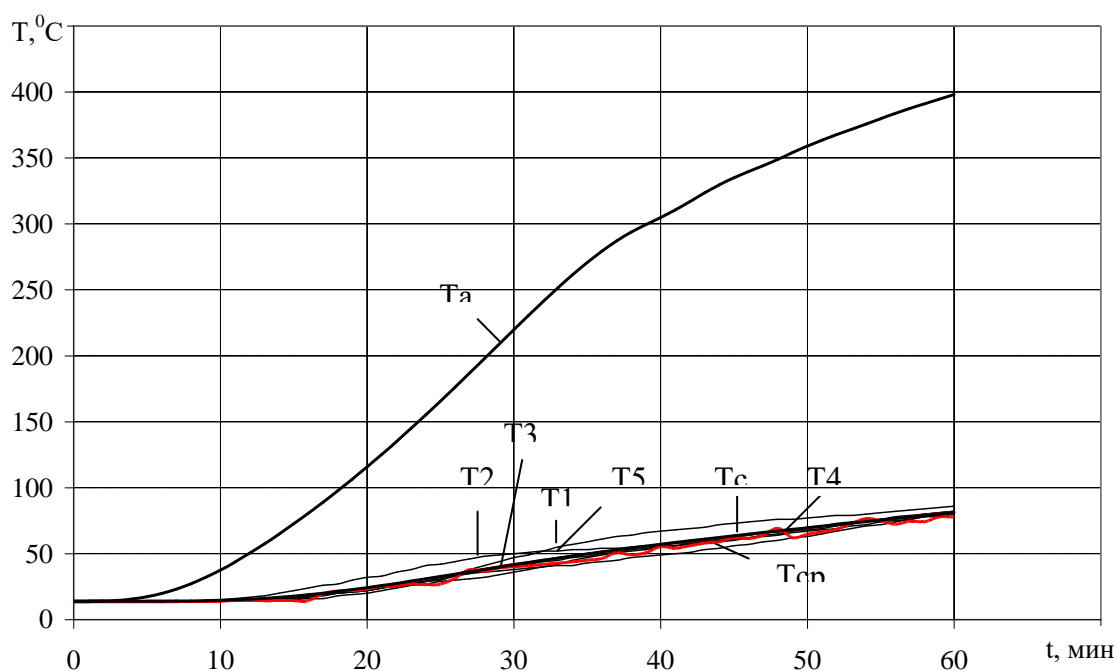


Рис. 2.

Зависимость температуры на необогреваемой поверхности плиты перекрытия и на арматуре (T_a) от времени огневого воздействия (испытание без штукатурки) для различных точек измерения (T_1 – T_5), средней температуры $T_{ср.}$, расчетной средней температуры $T_{ср.м}$, и T_a , полученных 2D моделированием.

Как видно из Рис. 2 кривая средней температуры $T_{ср.}$ на не обогреваемой поверхности плиты перекрытия, полученная из натуральных огневых испытаний близка к кривой средней температуры $T_{ср.м}$, полученной 2D моделированием, что подтверждает правильность задания параметров для моделирования в ANSYS FLUENT, а расчетная температура в месте установки арматурных стержней близка к критической температуре арматуры T_a . В результате натуральных огневых испытаний предел огнестойкости плит перекрытия железобетонных многопустотных 1ПК48.12-6А500С составил не менее 62 мин (REI 60).

По той же схеме испытаниям подвергались два образца плиты перекрытия многопустотной железобетонной ПК 48-12-8т. На образцы снизу и по бокам плит с помощью механизированного способа был нанесен слой смеси для огнезащитного покрытия «Эндотерм 210104» средней толщиной 37 мм.

Были испытаны 2 плиты перекрытия многопустотные железобетонные ПК 48-12-8т размерами 4780×1190 мм, толщиной 220 мм. Плита имеет несущий стальной каркас, состоящий из четырех нижних продольных несущих арматур $\varnothing 12$ А500С ДСТУ 3760-98 и арматурной проволоки $\varnothing 4$ ВР1, бетон класса В15. Толщина защитного слоя бетона до нижней несущей арматуры – 20 мм. Предел огнестойкости плиты, по данным предприятия изготовителя составляет REI 45.

Для нанесения применялась смесь для огнезащитного покрытия «Эндотерм 210104» ТУ У 24.3-13481691-007-2003 плотностью покрытия 450-600 кг/м³. Испытания проводились при температуре воздуха 24°C, относительной влажности воздуха 65%.

Как видно из Рис. 3, средняя температура на не обогреваемой поверхности многопустотной железобетонной плиты перекрытия, обработанной штукатурным покрытием «Эндотерм 210104» толщиной 37 мм, не превышает 73°C на 180 минуте огневых испытаний по стандартному температурному режиму. Но, как будет показано ниже (Рис. 12), толщины такого штукатурного покрытия в 13 мм будет достаточно для обеспечения требуемого предела огнестойкости плиты перекрытия 180 мин.

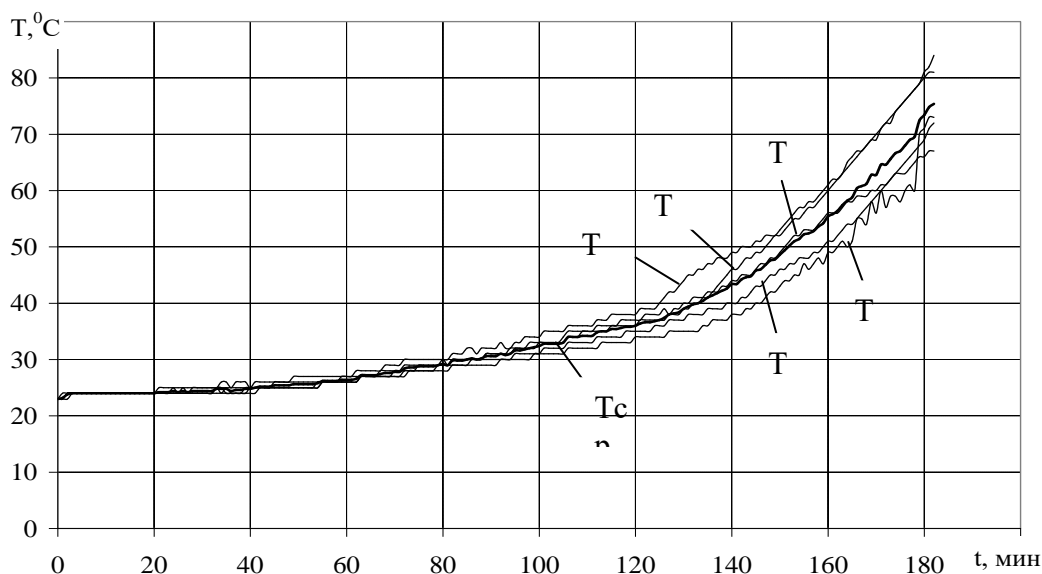


Рис. 3. Зависимость температуры на не обогреваемой поверхности плиты перекрытия от времени огневого воздействия (испытание со штукатурным покрытием) для различных точек измерения (Т1–Т5) и средней температуры Тср.

Была разработана 2D физическая и компьютерная модели в программной среде ANSYS FLUENT для моделирования нагрева плиты перекрытия. Проведенный экспериментально и расчетным путем с помощью 2D моделирования анализ особенностей нагрева железобетонной плиты перекрытия с арматурой, пустотами и огнезащитным покрытием (штукатуркой) при нагреве в условиях стандартного температурного режима при нагреве с обогреваемой и охлаждении с не обогреваемой поверхности в окружающую среду показал следующее:

1. Моделирование распределения температур, полученных 2D моделированием нагрева фрагмента плиты перекрытия, необходимо обязательно проводить с учетом радиационно-конвективного теплообмена в полостях (Рис. 4, а), т.к. учет только теплопроводности через воздух в полости (Рис. 4, б) приводит к большим погрешностям.

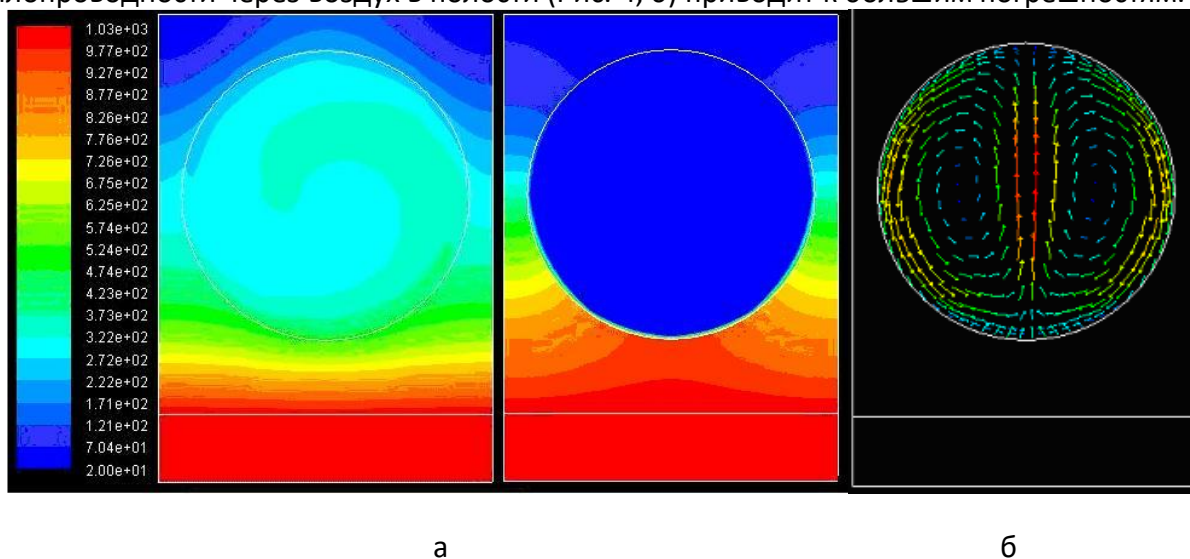


Рис. 4. Распределение температур (а и б) и скоростей воздуха в пустоте (в), полученных 2D моделированием нагрева фрагмента плиты перекрытия (Рис. 2, б) снизу (испытание без штукатурки) для случаев с учетом (а и в) и без (б) учета радиационно-конвективного теплообмена в полостях для момента времени 60 мин.

2. Зависимости средней температуры на не обогреваемой поверхности плиты перекрытия от времени огневого воздействия, полученные экспериментально и расчетным путем с помощью 2D моделирования качественно и количественно близки (Рис. 2), что подтверждает правильность 2D моделирования.

3. Наибольшие значения температур на не обогреваемой стороне плиты наблюдаются непосредственно над полостями, а наименьшие между ними (Рис. 2, 4). Величина неравномерности для рассматриваемого случая достигает 20°C.

Однако использование 2D моделирования для определения ТФХ и ХОС огнезащитного слоя покрытия по ряду причин не представляется возможным, поэтому для проведения дальнейшего моделирования использовалась 1D модель прогрева железобетонной многопустотной плиты перекрытия, для которой была произведена разбивка плиты на слои (Рис. 5) и рассчитаны приведенные толщины каждого слоя.

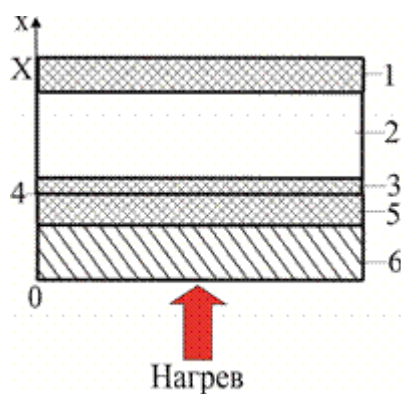


Рис. 5. Схема железобетонного перекрытия в одномерной постановке.

1 – слой сплошного бетона между не обогреваемой поверхностью и слоем с пустотами перекрытия, 2 – слой с пустотами, 3 – слой сплошного бетона между пустотами и арматурой, 4 – слой арматуры, 5 – слой сплошного бетона от арматуры до обогреваемой поверхности, 6 – штукатурное покрытие.

Была разработана следующая методика определения толщин слоев бетона и пустот перекрытия для 1D модели.

Слой 1 – слой сплошного бетона между не обогреваемой поверхностью и слоем с пустотами перекрытия. Плотность бетона 2300 кг/м³, теплопроводность (Вт/(м·К)) и объемная теплоемкость бетона (Дж/(м³·К)) выбраны как функции от температуры, выбирались из⁴⁹². Толщина слоя $\delta_1 = 21$ мм.

Слой 2 – слой бетона толщиной δ_2 с пустотами. Бетон между пустотами имеет плотность, теплопроводность и объемную теплоемкость как функции от температуры также по⁴⁹³.

$$\delta_2 = S_{\text{прям.}} - S_{\text{пустот}} \quad (2)$$

$$S_{\text{прям.}} = D \cdot b = 159 \cdot 1200 = 190800 \text{ мм}^2 \quad (3)$$

$$S_{\text{пустот}} = N \cdot \Pi R^2 \quad (4)$$

⁴⁹² EN 1992-1-2:2004 Eurocode 2: Design of concrete structures – Part 1-2: General rules – Structural fire design (Еврокод 2: Проектування залізобетонних конструкцій – Частина 1-2: Загальні вимоги. Вогнестійкість).

⁴⁹³ EN 1992-1-2:2004 Eurocode 2: Design of concrete structures – Part 1-2: General rules – Structural fire design (Еврокод 2: Проектування залізобетонних конструкцій – Частина 1-2: Загальні вимоги. Вогнестійкість).

Согласно (4) $S_{\text{пустот}}=6 \cdot 3,14 \cdot 6320,25=119073,51 \text{ мм}^2$. Тогда, подставив (3) и (4) в (2) получим $\delta_2=71726,49$, $\delta_2 / S_{\text{прям.}}=0,38$ – коэффициент пропорциональности, $\delta_2=159 \cdot 0,38=60$ мм.

Слой 3 – слой сплошного бетона между пустотами и арматурой толщиной $\delta_3=9$ мм.

Слой 4 – слой арматуры.

$$\delta_{\text{бетона}} = S_{\text{прям.}} - S_{\text{арм.}} \quad (5)$$

$$S_{\text{прям.}}=d \cdot b=12 \cdot 1200=14400 \text{ мм}^2 \quad (6)$$

$$S_{\text{арм.}}=n \cdot \Pi r^2 \quad (7)$$

Согласно (5), $S_{\text{арм.}}=4 \cdot 3,14 \cdot 36=452,16 \text{ мм}^2$. Тогда, подставив (6) и (7) в (5), получим $\delta_{\text{бетона}}=13947,84$. $\delta_{\text{бетона}} / S_{\text{прям.}}=0,9686$ – коэффициент пропорциональности. $\delta_{\text{бетона}} = 12 \cdot 0,9686 = 11,6232$ мм, где $\delta_{\text{арм.}}$ – приведенная толщина слоя арматуры, $\delta_{\text{бетона}}$ – толщина слоя бетона без арматуры, d – диаметр арматуры (в нашем случае 12 мм), S^a – площадь поперечного сечения арматуры, b – ширина плиты, 1200 мм.

$$\delta_{\text{арм.}} = 4S^a/b \quad (8)$$

Тогда, согласно (8) $\delta_{\text{арм.}}=4 \cdot 3,14 \cdot 36/1200=0,3768$ мм

Слой 5 – слой от арматуры до обогреваемой поверхности (защитный слой бетона). Плотность, теплопроводность и объемная теплоемкость как функции от температуры выбирались также по⁴⁹⁴.

$$\delta_5=20 \text{ мм}$$

Слой 6 – штукатурное покрытие «Эндотерм 210104», плотностью 1800 кг/м³, толщиной 37 мм.

Задачи решались по данным натуральных огневых испытаний при режиме, близком к стандартному температурному режиму пожара (Рис. 6).

Коэффициент теплоотдачи на обогреваемой поверхности образца принимался равным 25 Вт/(м²·К), коэффициент теплоотдачи на не обогреваемой границе задавался как функция от температуры⁴⁹⁵, степень черноты бетона принималась равной 0,7. ТФХ бетона слоев 1,3 и 5 задавали из⁴⁹⁶, а ТФХ слоя 2 (слой пустот с перемычками бетона) искали решением ОЗТ по кратко приведенной выше и более подробно описанной в⁴⁹⁷.

Согласно разработанной методики определения толщин слоев бетона и пустот плиты перекрытия искали ТФХ слоя 2 с бетонными перемычками и пустотами для дальнейшего их использования при определении ТФХ штукатурного покрытия «Эндотерм 210104»

⁴⁹⁴ EN 1992-1-2:2004 Eurocode 2: Design of concrete structures – Part 1-2: General rules – Structural fire design (Еврокод 2: Проектування залізобетонних конструкцій – Частина 1-2: Загальні вимоги. Вогнестійкість).

⁴⁹⁵ Kovalov, A., Otrosh, Y., Ostroverkh, O., Hrushovinchuk, O., Savchenko, O. (2018). Fire resistance evaluation of reinforced concrete floors with fire-retardant coating by calculation and experimental method. *E3S Web of Conferences*, 60, 00003. <https://doi.org/10.1051/e3sconf/20186000003>.

⁴⁹⁶ EN 1992-1-2:2004 Eurocode 2: Design of concrete structures – Part 1-2: General rules – Structural fire design (Еврокод 2: Проектування залізобетонних конструкцій – Частина 1-2: Загальні вимоги. Вогнестійкість).

⁴⁹⁷ Круковский П. Г. Обратные задачи тепломассопереноса (общий инженерный подход) / Павел Григорьевич Круковский. – К.: Ин-т технической теплофизики НАН Украины, 1998. – 224 с.

производства НПП «Спецматериалы» г. Донецк. При этом использовалась пятислойная модель теплового состояния железобетонной плиты перекрытия (Рис. 5).

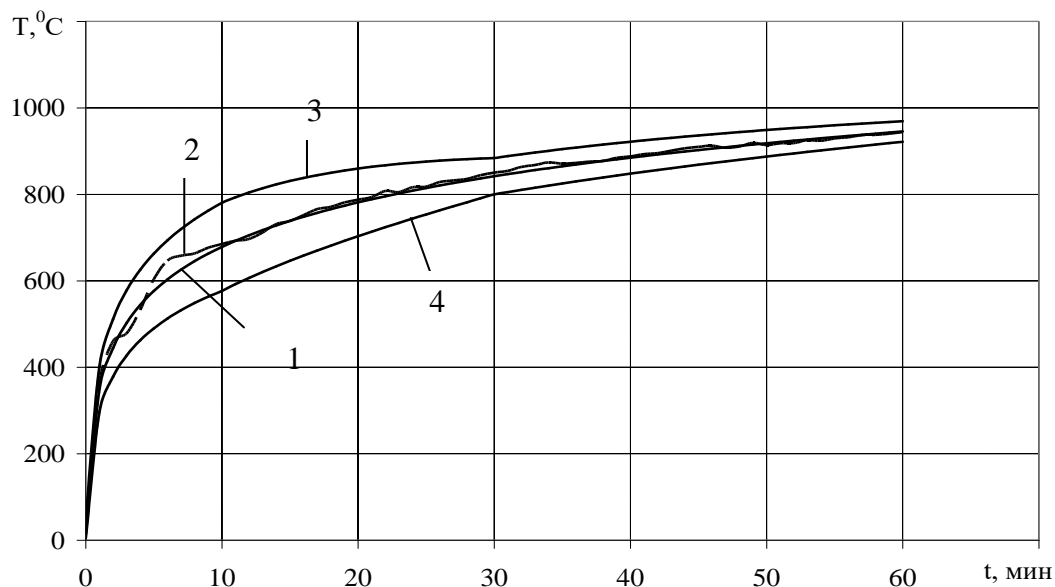


Рис. 6. Зависимость температуры в печи от времени огневого воздействия на обогреваемую поверхность железобетонной многослойной плиты перекрытия толщиной 220 мм без огнезащитного покрытия.

Кривая 1 – кривая стандартного температурного режима,
кривая 2 – реальная кривая изменения температуры в печи;

3 – допустимые при испытаниях минимальные значения температуры в печи;
4 – допустимые при испытаниях максимальные значения температуры в печи.

На основе этой 1D модели решением ОЗТ было найдено постоянное значение коэффициента теплопроводности слоя 2 с пустотами, при котором наблюдалась наибольшая близость расчетных и экспериментальных температур на необогреваемой поверхности перекрытия (Рис. 7). Минимальное значение критерия среднеквадратичного отклонения (1) составило $3,22^{\circ}\text{C}$. Найденный коэффициент теплопроводности слоя 2 был равен $3,18 \text{ Вт/м}\cdot\text{К}$.

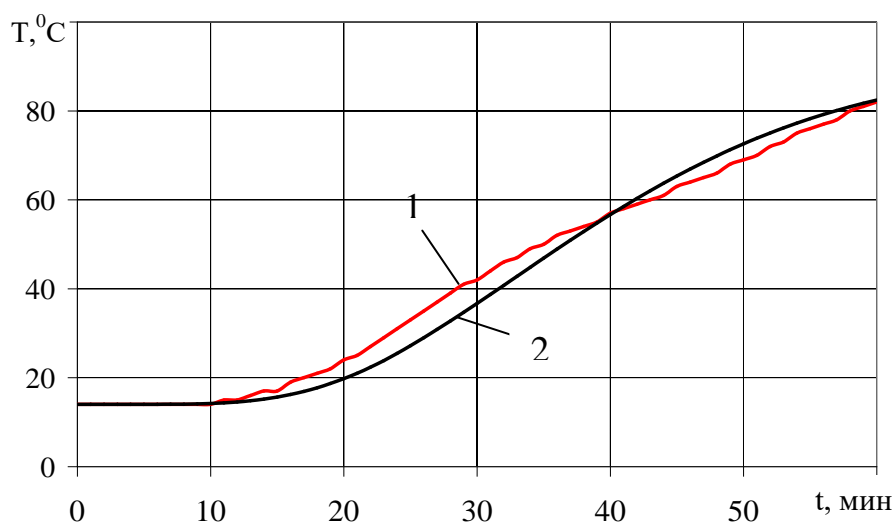


Рис. 7. Зависимость температуры от времени огневого воздействия на необогреваемую поверхность перекрытия без штукатурного покрытия:

1 – полученная по результатам испытаний на огнестойкость;
2 – расчетная кривая, полученная решением ОЗТ.

При этом коэффициент удельной объемной теплоемкости слоя 2 от температуры задавался как функция от температуры из ⁴⁹⁸ с умножением значений на величину 0,38 (доля объема переемычек бетона в этом слое 2 с пустотами).

Распределения температур на не обогреваемой поверхности плиты без штукатурного покрытия показано на Рис. 8, где наблюдается близость расчетных и экспериментальных температур, что подтверждает правильность разработанной методики определения толщин слоев бетона и пустот плиты перекрытия, а также найденных ТФХ бетона слоев плиты.

На Рис. 8 представлена кривая изменения температуры арматуры T_a (слой 2 1D-модели), которая показывает наступление предельного состояния по огнестойкости примерно на 70-й минуте огневого воздействия. Напомним, что по результатам натурных огневых испытаний предел огнестойкости этой плиты составил 62 мин (REI 60), что близко к результату расчетного анализа.

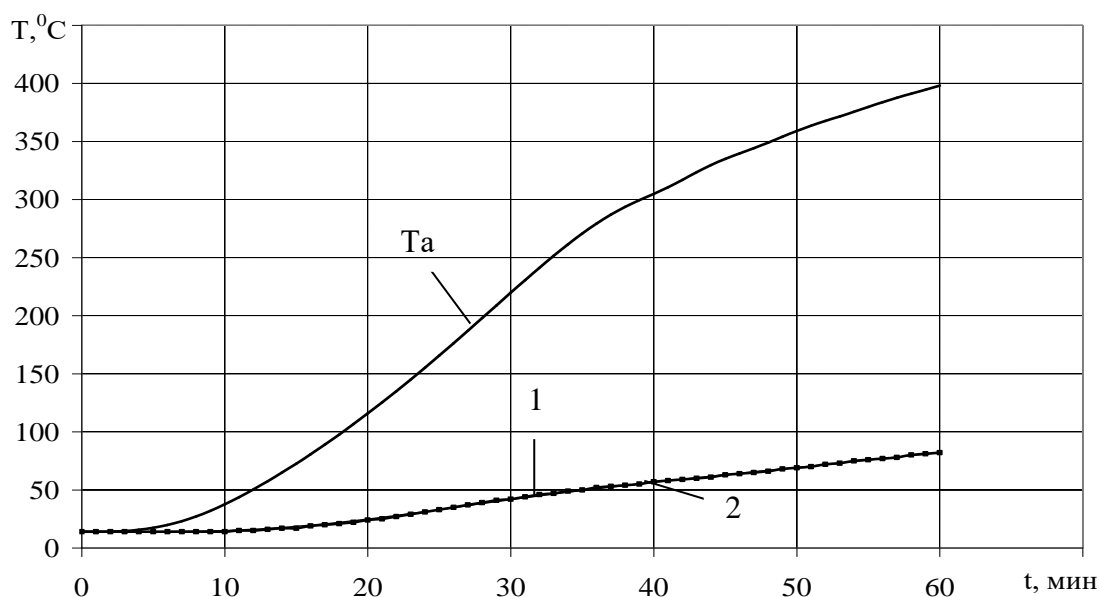


Рис. 8. Зависимость температуры от времени огневого воздействия на не обогреваемой поверхности плиты и на арматуре (T_a) без штукатурного покрытия:

- 1 – кривая, при натурных огневых испытаниях,
- 2 – полученная 1D моделированием по найденной теплопроводности слоя 2

Найденные ТФХ слоя 2 плиты перекрытия использовались для поиска ТФХ штукатурного покрытия «Эндотерм 210104» решением ОЗТ при использовании данных огневых испытаний со штукатурным покрытием.

Состав «Эндотерм 210104» представляет собой сухую смесь, состоящую из гидравлических связующих, легких инертных наполнителей и целевых добавок, к которому для приготовления рабочего раствора прибавляется вода. Покрытие служит теплоизоляционным барьером, предохраняющим строительные конструкции от воздействия огня. Состав позволяет повысить предел огнестойкости несущих металлоконструкций до R240, металлических воздуховодов до EI60, пустотных железобетонных плит перекрытий марки ПК до REI 180.

Использовалась разработанная одномерная трехслойная модель в среде программы FRIEND с добавлением слоя штукатурного покрытия 6 (Рис. 5), которая построена на основе разбивки плиты на слои.

⁴⁹⁸ EN 1992-1-2:2004 Eurocode 2: Design of concrete structures – Part 1-2: General rules – Structural fire design (Еврокод 2: Проектування залізобетонних конструкцій – Частина 1-2: Загальні вимоги. Вогнестійкість).

Для при поиске ТФХ задавали коэффициент удельной объемной теплоемкости штукатурного покрытия постоянным и равным $C_v=1 \cdot 10^{-6}$ Дж/м³·К, а коэффициент теплопроводности искали как функцию от температуры. ТФХ слоя 2 использовались найденные ранее по данным испытаний плиты без покрытия.

Значения коэффициента теплоотдачи с не обогреваемой поверхности плиты задавали такие же, как в предыдущих расчетах.

Температурный режим в печи задавался близким к режиму стандартного пожара (Рис. 9).

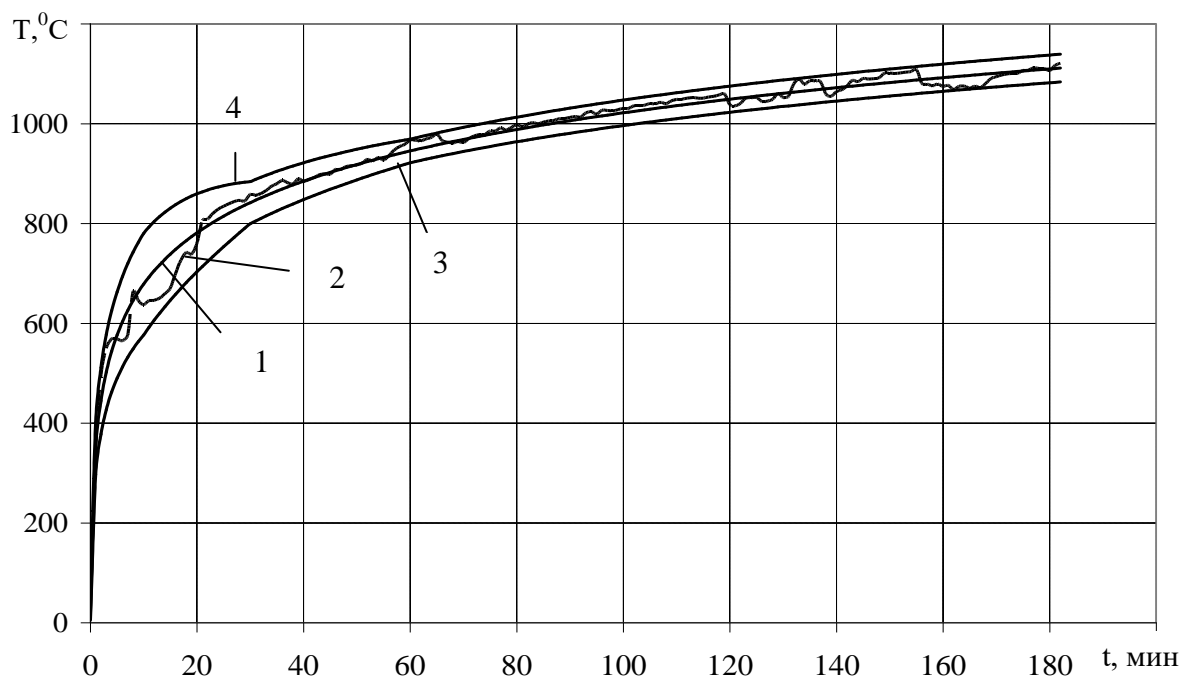


Рис. 9. Зависимость температуры в печи от времени огневого воздействия на обогреваемой поверхности железобетонной многослойной плиты перекрытия, толщиной 220 мм, обработанной штукатурным покрытием.

*Кривая 1 – кривая стандартного температурного режима,
кривая 2 – реальная кривая изменения температуры в печи;*

3 – допустимые при испытаниях минимальные значения температуры в печи;

4 – допустимые при испытаниях максимальные значения температуры в печи.

На основе проведенного анализа чувствительности температуры на не обогреваемой стороны к ТФХ штукатурки, был сделан вывод о том, что коэффициент удельной объемной теплоемкости штукатурного покрытия нужно искать как постоянное значение, а коэффициент теплопроводности как функцию от температуры.

С помощью разработанной одномерной модели теплового состояния плиты перекрытия с добавлением слоя штукатурного покрытия и найденными ТФХ слоя 2, решением ОЗТ, были получены следующие ТФХ штукатурного покрытия: значение удельной объемной теплоемкости $C_v=1,03 \cdot 10^{-6}$, Дж/м³·К, а теплопроводность как функция от температуры (Рис. 10). Распределение температур на не обогреваемой поверхности плиты показано на Рис. 11.

Падение кривой теплопроводности на Рис. 10 при температуре 100°С может быть объяснено интенсивными физико-химическими процессами, происходящими в штукатурке в начальной стадии нагрева, которые к температуре 500°С прекращаются и поэтому теплопроводность стабилизируется.

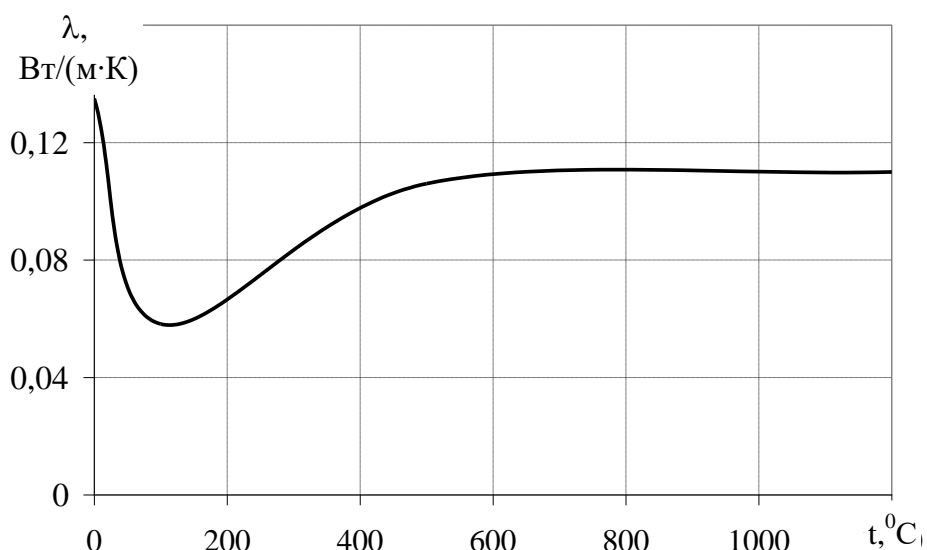


Рис. 10. Зависимость эффективного коэффициента теплопроводности штукатурного покрытия от температуры, найденного решением ОЗТ по данным испытаний на огнестойкость.

Как видно из Рис. 11, совпадение расчетных и экспериментальных температур удовлетворительное, критерий среднеквадратичного отклонения (1) составляет 2,862°C, а максимальное расхождение расчетных и экспериментальных значений температуры составляет около 11%.

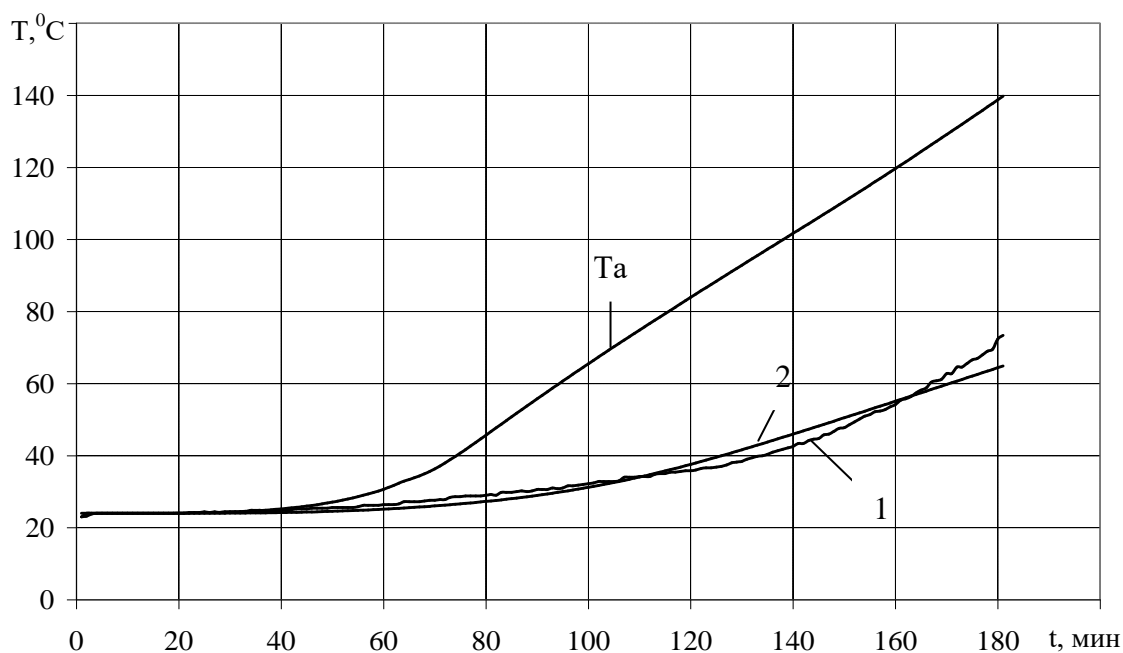


Рис. 11. Зависимость температуры от времени огневого воздействия на не обогреваемой поверхности плиты (1 и 2) и на арматуре (Ta) со штукатурным покрытием:
 1 – кривая, полученная в результате испытаний на огнестойкость,
 2 – расчетная кривая с найденными ТФХ штукатурного покрытия.

Это подтверждает правильность разработанной одномерной модели теплового состояния многослойной плиты перекрытия в среде программы FRIEND и правильность найденных значений ТФХ слоя 2 плиты. Также на Рис. 11. представлена кривая изменения

температуры арматуры (слой 4 1D-модели, см. Рис. 5), которая равна 138°C, что намного ниже критической температуры нагрева арматуры (500°C). Это объясняется тем, что толщина штукатурного покрытия для защиты железобетонной плиты перекрытия при проведении натуральных огневых испытаний составляла 37 мм, что намного больше, чем необходимо для обеспечения требуемого предела огнестойкости для такой плиты (Рис. 12). Рассчитанная с помощью модели огнестойкость плиты перекрытия при такой толщине составляет примерно 300 минут.

С помощью найденных ТФХ слоев модели и решением серии ПЗТ была получена характеристика огнезащитной способности штукатурного покрытия «Эндотерм 210104» для разных пределов огнестойкости конструкции (Рис. 12). С помощью полученной ХОС можно определять толщину огнезащитного штукатурного покрытия при толщине защитного слоя бетона для требуемого предела огнестойкости конструкции, при котором наступает предел огнестойкости по потере несущей (прогрев арматуры до 500°C) или теплоизолирующей способности железобетонной конструкции, обработанной этим огнезащитным штукатурным покрытием.

Как видно из Рис. 12, чем больше защитный слой бетона, тем меньший слой штукатурного покрытия нужно применять для обеспечения требуемого предела огнестойкости конструкции. На основе разработанной ХОС штукатурного покрытия «Эндотерм 210104» видно, что для предела огнестойкости в 180 минут при толщине защитного слоя 20 мм необходимо использовать штукатурное покрытие, толщиной 13 мм, а не 37 мм, как было использовано при проведении натуральных огневых испытаний.

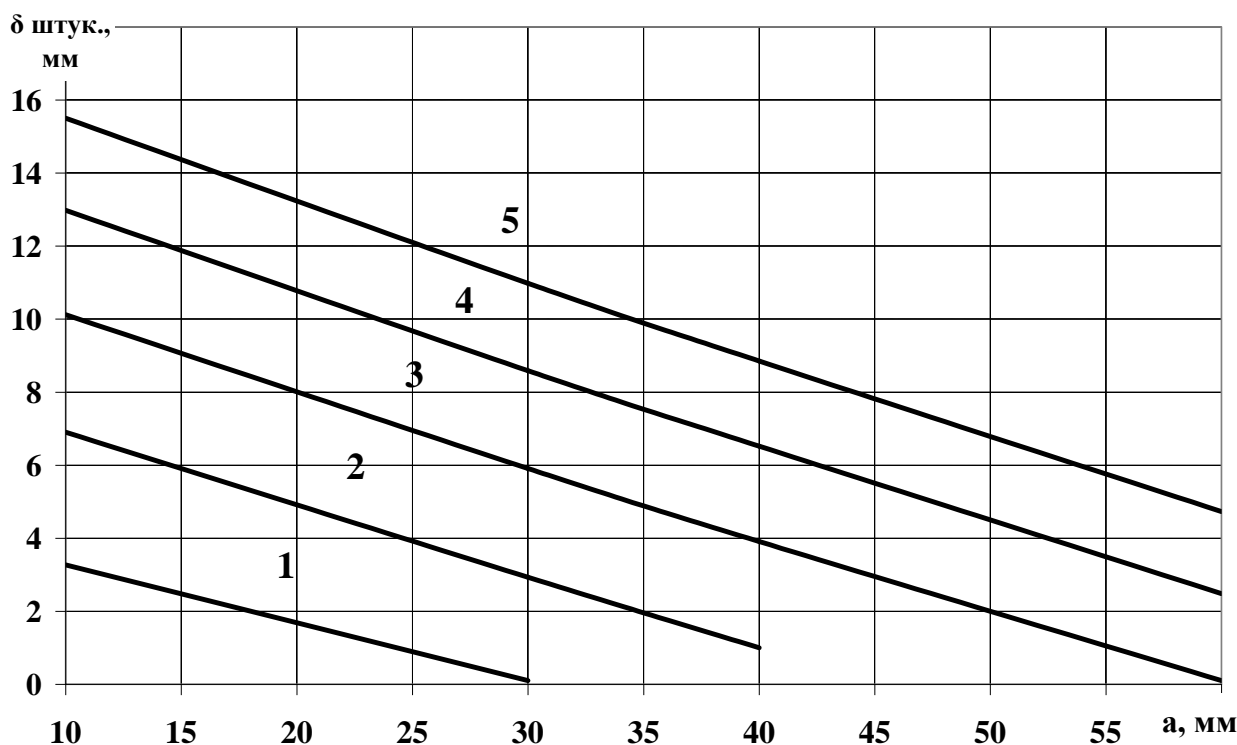


Рис. 12. Характеристика огнезащитной способности штукатурного покрытия «Эндотерм 210104» по критерию достижения критической температуры арматуры (500°C) для пределов огнестойкости: 1 – 60 мин; 2 – 90 мин; 3 – 120 мин; 4 – 150 мин; 5 – 180 мин.

В результате выполненной работы можно кратко сформулировать следующую методику определения ХОС огнезащитных покрытий многопустотных плит перекрытия расчетно-экспериментальным методом по данным испытаний на огнестойкость:

1. Разработать одномерную модель теплового состояния плиты перекрытия с разбивкой плиты на слои и предложенной методики расчета эквивалентных толщин слоев перекрытия

2. Определить теплопроводность слоя плиты с пустотами в функции температуры решением обратных задач, используя данные испытаний на огнестойкость многпустотной плиты перекрытия без штукатурки.

3. Используя найденные ТФХ слоя плиты с пустотами и решением ОЗТ определить ТФХ исследуемого огнезащитного покрытия для дальнейшего их использования при определении ХОС.

4. Решением серии ПЗТ определить ХОС исследуемого огнезащитного покрытия для различных пределов огнестойкости по критериям достижения критической температуры арматуры (400-600°C) или критерию потери теплоизолирующей способности.

Выводы. Разработана и апробирована методика расчета приведенных слоев плиты перекрытия для моделирования прогрева плиты по стандартному температурному режиму для определения предела огнестойкости конструкции.

Разработана физическая и компьютерная 1D модели железобетонной плиты перекрытия с обоснованием методики расчета эквивалентных по толщине слоев бетона, арматуры и пустот для определения ТФХ слоев плиты и распределения температур с не обогреваемой поверхности плиты и на арматуре.

На основе разработанной модели теплового состояния плиты перекрытия определены ТФХ слоев плиты, штукатурного покрытия для дальнейшего их использования при определении ХОС штукатурного покрытия «Эндотерм 210104». При определении ХОС штукатурного покрытия ТФХ слоев плиты перекрытия коэффициент удельной объемной теплоемкости штукатурного покрытия можно искать как постоянную величину, а коэффициент теплопроводности в виде функции от температуры.

Разработана двумерная модель теплового состояния плиты в ANSYS FLUENT, на которой произведена проверка полученных температур с не обогреваемой поверхности и на арматуре, полученных с помощью одномерной модели в программной среде FRIEND.

Разработано методическое обеспечение определения ХОС покрытий многпустотных плит перекрытия расчетно-экспериментальным методом по данным натуральных огневых испытаний.

Разработанная методика апробирована при определении ХОС штукатурного покрытия «Эндотерм 210104» по результатам испытаний на огнестойкость многпустотных плит перекрытия при использовании критерия прогрева арматуры до критической температуры или критерия потери теплоизолирующей способности.

Литература:

1. Милованов А. Ф. Стойкость железобетонных конструкций при пожаре / М.: Стройиздат, 1998. – 304 с.: ил. – ISBN 5-274-01695-2.
2. Пособие по определению пределов огнестойкости конструкций, пределов распространения огня по конструкциям и групп возгораемости материалов (к СНиП II-2-80) / ЦНИИСК им. Кучеренко. – М.: Стройиздат, 1985. – 56 с.
3. СТ СЭВ 1000-78 «Противопожарные нормы строительного проектирования. Метод испытания строительных конструкций на огнестойкость».
4. Правила по обеспечению огнестойкости и огнесохранности железобетонных конструкций: СТО 36554501-006-2006. – М.: ФГУП «НИЦ «Строительство», 2006. – 118 с.
5. Мосалков И. Л. Огнестойкость строительных конструкций / Мосалков И. Л., Плюснина Г. Ф., Фролов А. Ю. – Москва: ЗАО «Спецтехника», 2001. – 496 с.

6. Захист від пожежі. Будівельні конструкції. Методи випробування на вогнестійкість. Загальні вимоги (ISO 834:1975): ДСТУ Б В.1.1-4-98. – [Чинний від 1998-10-28]. – К.: Укрархбудинформ, 1999. – 21 с. – (Державний стандарт України).
7. Плиты перекрытий железобетонные многопустотные для зданий и сооружений: ГОСТ 9561-91. – [Чинний від 1992-01-01]. – М. – 1992.
8. Захист від пожежі. Переkritтя та покриття. Метод випробування на вогнестійкість (EN 1365-2:1999, NEQ): ДСТУ Б В.1.1-20:2007. – [Чинний від 2007-10-26]. – К.: Мінрегіонбуд України, 2007. – 14 с. – (Національний стандарт України).
9. Круковский П. Г. Обратные задачи тепломассопереноса (общий инженерный подход) / Павел Григорьевич Круковский. – К., Ин-т технической теплофизики НАН Украины, 1998. – 224 с.
10. EN 1992-1-2:2004 Eurocode 2: Design of concrete structures – Part 1-2: General rules – Structural fire design (Еврокод 2: Проектування залізобетонних конструкцій – Частина 1-2: Загальні вимоги. Вогнестійкість).
11. Kovalov, A., Otrosh, Y., Ostroverkh, O., Hrushovinchuk, O., Savchenko, O. (2018). Fire resistance evaluation of reinforced concrete floors with fire-retardant coating by calculation and experimental method. *E3S Web of Conferences*, 60, 00003. <https://doi.org/10.1051/e3sconf/20186000003>.
12. Ansys Fluent / Basic Analysis Produced Guide. Rel. 2.3.

3.10. Use of monitoring of buildings and structures for safety

3.10. Використання моніторингу будівель та споруд для забезпечення безпеки

Постановка проблеми. За статистичними даними національної доповіді України в останні п'ять років в середньому виникало 50-60 пожеж та вибухів, які досягали критеріїв надзвичайних ситуацій, 25-30 катастроф на транспорті, 7-12 аварій на системах життєзабезпечення, 5-10 випадків раптового руйнування будівель та споруд, 5-10 аварій в електроенергетичних системах (Рис. 1-3).



Рис. 1. Обвал будинку (м. Магнітогорськ)

В будівлях і спорудах за період з 2007 по 2018 рік на території України в середньому виникало 34752 пожеж, загинуло 2546 людей, травмовано 1346 людей. За визначений період в середньому знищено або пошкоджено 22353 будівлі та споруди різного призначення, з яких 4281 будівля зруйнована повністю.

Також за 2018 рік в Україні зареєстровано більше 78 тис. пожеж. Матеріальні втрати від пожеж склали понад 8 млрд. грн. В середньому щодня виникало 215 пожеж, вогнем знищувалось або пошкоджувалось 70 будівель і споруд.



Рис. 2. Міст в м. Генуї

Зростання ризику виникнення техногенних надзвичайних ситуацій в Україні обумовлено тим, що в останні роки в найбільш відповідальних галузях об'єкти підвищеної

небезпеки та потенційно небезпечні об'єкти мають напрацювання проектного ресурсу на рівні 50-70%, іноді досягаючи перед аварійного рівня.



Рис. 3. Обвал паркування (м. Даллас)

За статистичними даними станом на 1 січня 2013 житловий фонд країни становив 1094.2 млн. м² загальної площі, з якого 64.0% (700.7 млн. м²) – житловий фонд міських поселень. Житловий фонд налічував 10179.9 тис. будинків, включаючи будинки (10.8 тис.), що знаходились на балансі підприємств-банкрутів та тих, що припинили свою діяльність.

В експлуатації знаходилось 4.9 млн. м² ветхого та аварійного житлового фонду, або 0.4% від усього житлового фонду, в якому проживало 117.5 тис. осіб.

Таблиця 1.

Технічний стан житлового фонду (будівель) у міській та сільській місцевості				
Регіон	Кількість житлових будинків, всього, тис. одиниць	Ветхі житлові будинки, одиниць	Аварійні житлові будинки, одиниць	Рівень потенційної загрози руйнації, n-10 ⁻⁵
АР Крим	332,69	987	161	350
Вінницька	569,43	3018	878	685
Волинська	232,37	1299	229	665
Дніпропетровська	608,02	1740	258	330
Донецька	849,50	4946	1617	764
Житомирська	380,47	2870	515	895
Закарпатська	303,01	911	237	380
Запорізька	351,67	827	232	328
Івано-Франківська	340,77	972	347	383
Київська	525,56	2614	451	585
Кіровоградська	318,77	149	19	53
Луганська	518,39	1793	231	388
Львівська	453,59	1336	430	390
Миколаївська	269,96	1456	623	780
Одеська	481,42	4258	1314	1150
Полтавська	422,61	1389	210	380
Рівненська	261,67	1414	235	635
Сумська	330,84	1836	270	638
Тернопільська	285,86	897	490	485
Харківська	495,53	4177	547	970
Херсонська	285,76	1011	323	475
Хмельницька	380,42	1566	309	494
Черкаська	429,24	2728	590	750
Чернівецька	246,17	977	286	509
Чернігівська	393,51	836	100	238
м. Київ	33,68	356	6	109
м. Севастополь	30,10	86	54	470
Всього	10313	46449 (0,46 %)	10962 (0,1 %)	557 (середнє)

За матеріалами досліджень аналітичного центру асоціації міст України на сьогодні в державі налічується 25.5 тисяч будинків, побудованих за проектами перших масових серій великопанельних, блочних і цегляних будинків, загальною площею 72 млн м², тобто 23% міського житлового фонду потребує відновлення через реконструкцію і модернізацію.

У багатьох регіонах експлуатується житло, вік якого становить понад півстоліття. Так, у Черкаській, Харківській, Запорізькій, Миколаївській областях близько 30% складають житлові будинки, побудовані в 1950-х роках і раніше. 18-20% такого житла припадає на АР Крим, Закарпатську, Івано-Франківську області. У столиці на його частку припадає 13.5%.

Однією з основних причин виникнення надзвичайних ситуацій природного і техногенного характеру в Україні є застарілість основних фондів та аварійний стан значної частини мереж комунального господарства.

Переважає більшість надзвичайних ситуацій виникли в зв'язку з незадовільним технічним станом споруд, конструкцій, обладнання і інженерних мереж та їх значною зношеністю унаслідок закінчення нормативного строку експлуатації – нормативного ресурсу, невиконання нормативних обсягів планово-попереджувальних ремонтів, порушення регламенту експлуатації та недостатня надійність функціонування в умовах екстремальних природних явищ.

Неприпустимість подальшого зниження рівня безпеки та зменшення тривалості роботи об'єктів життєзабезпечення унаслідок експлуатації споруд, конструкцій, обладнання та інженерних мереж, які працюють на межі вичерпання свого ресурсу і становлять потенційну небезпеку для життя та діяльності людей, потребує проведення комплексу заходів. Це створення сталої системи правового регулювання у сфері забезпечення надійності і безпечної експлуатації споруд, конструкцій, обладнання та інженерних мереж та збільшення обсягів робіт з обслуговування і ремонту житла із застосуванням новітніх енергозберігаючих технологій і матеріалів, ліквідація аварійного (ветхого) житла.

Відповідно до вищевикладеного в останні роки отримала розвиток проблема моніторингу оточуючого середовища та експлуатаційного спрацювання елементів будівель та споруд, інженерних мереж⁴⁹⁹. Проблема пов'язана з вивченням питань збереження будівель та споруд, що експлуатуються, забезпечення їх безпеки, масового накопичення інформації про стан будівель і споруд в залежності від умов експлуатації, вдосконалення системи моніторингу і поширення її на міста України.

Аналіз останніх досліджень та публікацій. У⁵⁰⁰ під безпекою розуміється відсутність неприпустимого ризику, пов'язаного з можливістю завдання будь-якої шкоди для життя, здоров'я та майна громадян, а також для навколишнього природного середовища. У^{501, 502} до об'єктів пред'являються не тільки звичні вимоги збереження експлуатаційних якостей протягом терміну служби, але й вимоги із обмеження можливих наслідків експлуатації. Можливі наслідки можуть бути пов'язані не тільки із загрозою для здоров'я та життя людей і небезпекою для навколишнього середовища, але й з серйозним економічним і моральним збитком.

⁴⁹⁹ Отрош Ю. А. Використання системи моніторингу для оцінки технічного стану будівельних конструкцій. *Промислове будівництво та інженерні споруди*. 2018. № 3. С. 3-7.

⁵⁰⁰ ДБН В.1.2-14:2018 Система забезпечення надійності та безпеки будівельних об'єктів. Загальні принципи забезпечення надійності та конструктивної безпеки будівель і споруд. [Чинний від 2019-01-01]. Вид. ДП «Укрархбудінформ», 2018. 30 с.

⁵⁰¹ ДСТУ 2860-94 Надійність техніки. Терміни та визначення. [Чинний від 1996-01-01]. Вид. Інститут проблем надійності машин і споруд, 1995. 92 с.

⁵⁰² ДБН В.1.2-5:2007 Система забезпечення надійності та безпеки будівельних об'єктів. Науково-технічний супровід будівельних об'єктів. [Чинний від 2008-01-01]. Вид. Науково-дослідний інститут будівельного виробництва (НДІБВ), 2007. 16 с.

Останніми роками у зв'язку з тенденцією зростання кількості аварій і руйнувань, які викликані головним чином вичерпанням залишкового ресурсу, а також з широким розвитком саме соціально-економічного аспекту оцінки відмов конструкцій⁵⁰³, виникла необхідність у створенні та введенні в практику процедури оцінки безпеки. Для створення процедури, яка окрім імовірності появи несприятливої події (аварії, руйнування) дозволяла б оцінити і можливий збиток, необхідно мати в своєму розпорядженні інформацію про необхідні показники конструктивної безпеки та методика оцінки ризиків несприятливих подій.

В загальній теорії експлуатації складних систем та чинних нормах з цього питання^{504, 505} технічний стан характеризується як відповідність в певний момент часу, за певних умов зовнішнього середовища, певних параметрів (показників експлуатаційної придатності) значенням, попередньо встановленим на даний об'єкт.

Незадовільний технічний стан багатьох будівельних об'єктів, що є наслідком їх зносу, потребує вжиття запобіжних заходів щодо запобігання виникнення надзвичайних ситуацій⁵⁰⁶. Вважається, що до таких заходів, в першу чергу, слід віднести оцінювання технічного стану конструкцій з метою реконструкції й підвищення безпеки експлуатації будівель та споруд.

Чинні нормативні документи щодо питань обстежень та визначення технічного стану⁵⁰⁷ поширюються на широкий клас виробничих, громадянських і житлових будівель та споруд. В цих нормативних документах визначено чотири технічних стани: нормальний, задовільний, непридатний до нормальної експлуатації та аварійний. Однак, віднесення окремих конструкцій та будівель і споруд у цілому до кожного із цих станів базується на методі експертних оцінок та носить розпливчастий характер. В них віднесення до того чи іншого технічного здійснюється не на підставі формалізованих розрахунків, а на аналізі сукупності певних (визначених цими нормативними документами) дефектів та пошкоджень (або їх відсутності). Такий підхід досить примітивний, необґрунтований характер та не може служити достовірним критерієм оцінювання технічного стану будівельних конструкцій.

Визначення технічного стану будівель та споруд у цілому нормативні документи рекомендують виконувати за найгіршим технічним станом окремих несучих чи огорожуючих конструкцій. Це часто призводить до необґрунтованого заниження експлуатаційних властивостей будівлі чи споруди у цілому та передчасному припиненню її експлуатації.

Стандарт ДСТУ-Н Б В.1.2-17:2016 визначає контрольовані параметри різних видів моніторингу технічного стану будівельних конструкцій, будівель і споруд на різних етапах їх життєвого циклу: проектування, будівництва, експлуатації, консервування, розконсервації, ліквідації.⁵⁰⁸

⁵⁰³ Горохов Е. В., Шелихова Е. В. Определение порядка страхования техногенных рисков при оценке технического состояния и паспортизации строительных конструкций зданий и сооружений. Буд. конструкції: Міжвідом. наук.-техн. зб. Київ, 1999. Вип. 51. С. 144-149.

⁵⁰⁴ ВСН 58-88(р). Положение об организации и проведении реконструкции, ремонта и технического обслуживания зданий, объектов коммунального и социально-культурного назначения. М.: Стройиздат, 01. 07. 1989. 32 с.

⁵⁰⁵ Прогнозування залишкового ресурсу будівельних конструкцій після силових, деформаційних і високотемпературних впливів будівельних конструкцій при дії силових, деформаційних та високотемпературних впливів. / НУЦЗУ; № ДР 0119U000001003. Харків, 2019.

⁵⁰⁶ Отрош Ю. А. Розробка підходу до визначення технічного стану будівельних конструкцій при дії силових та високотемпературних впливів. *Вісник Одеської державної академії будівництва та архітектури*. 2018. № 71. С. 54-60.

⁵⁰⁷ ДСТУ-Н Б В.1.2-18:2016 Настанова щодо обстеження будівель і споруд для визначення та оцінки їх технічного стану. [Чинний від 2017-04-01]. Вид. ДП «УкрНДНЦ», 2017. 45 с.

⁵⁰⁸ ДСТУ-Н Б В.1.2-17:2016 Настанова щодо науково-технічного моніторингу будівель і споруд.

Оцінка стану існуючих будівель з використанням методів неруйнівного контролю розглядається в роботі⁵⁰⁹. Безперервний моніторинг залізобетонних конструкцій з використанням відповідних методів та наявних методів реконструкції сприяє суттєвому зменшенню швидкості спрацювання бетонних конструкцій, збільшуючи тим самим термін служби конструкцій. Методи неруйнівного контролю мають більшу перевагу в оцінці однорідності, довговічності, ступеню корозії арматури в бетоні тощо для пошкоджених конструкцій.

В роботі⁵¹⁰ представлено огляд принципів і практик оцінки стану існуючих залізобетонних конструкцій, а також методики роботи з оцінювання технічного стану до здійснення ремонту з точки зору експерта. Також розглядаються методи неруйнівного контролю, методи експериментальних досліджень матеріалів, вибір зразків і розробка варіантів оцінювання.

Для оцінки технічного стану будівель, їх конструкцій можна використовувати методи аналізу ризиків. Ці методи можуть бути використані для ціноутворення на будівництво в залежно від їх стану, віку та використання. У роботі застосовано метод оцінки універсальної матриці аналізу ризиків.⁵¹¹

Дослідження⁵¹² полягає в наданні зацікавленим сторонам будівельної галузі деяких ключових показників ефективності, здатних допомогти їм у прийнятті оптимальних рішень при будівництві, експлуатації, обслуговуванні та ремонті будівлі. Процедура оцінки стану будівлі є результатом оригінального дослідження, метою якого було розробка методики для надійної, але швидкої оцінки стану активів, яка повинна бути виконана до їх придбання або прийняття основних рішень щодо їх реконструкції.

Мета роботи – розробка методів попередження відмов конструкцій, елементів і систем будівель та споруд для забезпечення їх безпечної експлуатації в відповідності з діючими вимогами норм при мінімальних затратах ресурсів.

Основна частина. Основою організації моніторингу з забезпечення експлуатаційної безпеки будівель та споруд є спостереження за змінами показників параметрів стану та оцінювання визначених змін.

Кількість і види контрольованих параметрів визначаються результатами попереднього обстеження, вимогами нормативної і проектної документації та умовами збереження експлуатаційних властивостей об'єкта впродовж його життєвого циклу⁵¹³.

Реакції змін технічного стану конструктивних елементів реєструються датчиками системи моніторингу, які дозволяють отримувати дані реакції об'єкта на зовнішні і внутрішні впливи, а саме:

- переміщення об'єкта та окремих елементів в просторі у вигляді прогинів, осідань, кренів тощо;
- деформації в будівельних конструкціях;

⁵⁰⁹ Enkatesh, Preethi & Alapati, Mallika. Condition Assessment of Existing Concrete Building Using Non-Destructive Testing Methods for Effective Repair and Restoration-A Case Study. Civil Engineering Journal. 2017. 3. 841. DOI: 10.28991/cej-030919.

⁵¹⁰ Dilek, U. Condition assessment of concrete structures. Failure, Distress and Repair of Concrete Structures. 2009. 84-137. DOI:10.1533/9781845697037.1.84.

⁵¹¹ M. Bilanič et al., "Application of Risk Analysis for Building Evaluation", Advanced Materials Research, Vol. 1020, pp. 879-882, 2014.

⁵¹² Mario Claudio Dejaco, Fulvio Re Cecconi, Sebastiano Maltese, Key Performance Indicators for Building Condition Assessment, Journal of Building Engineering, Volume 9, 2017, Pages 17-28, ISSN 2352-7102, <https://doi.org/10.1016/j.jobe.2016.11.004>.

⁵¹³ Отрош Ю. А., Голоднов О. І., Іванов А. П. Комплекс взаємозв'язаних заходів щодо визначення параметрів напружено-деформованого і технічного стану конструкцій при різних впливах. *Збірник наукових праць Українського інституту сталевих конструкцій імені В.М. Шимановського*. 2011. № 8. С. 98-109.

- зміни динамічних характеристик будівельних конструкцій і будівлі в цілому;
- зміни в середовищі, що оточує об'єкт моніторингу.

Моніторинг будівельних конструкцій проводиться на підставі затвердженої програми за допомогою технічних засобів неруйнівного контролю та встановленої в програмі періодичності. Періодичність проведення робіт визначається з урахуванням класів відповідальності будівельних конструкцій згідно з⁵¹⁴. При цьому мінімальна періодичність спостережень встановлюється відповідно до проектної і нормативної документації або спеціальних вимог до конкретного об'єкта. За необхідності періодичність окремих видів спостережень елементів будівельних конструкцій будівель і споруд може коригуватись.

Результатами моніторингу є інформація про стан об'єкта та території забудови, що наводиться у проміжних та заключних звітах, які оформляються на підставі реєстрації, накопичення та первинного аналізу інформації від чутливих елементів, які встановлюють на будівельних конструкцій, що підлягають контролю. За результатами моніторингових спостережень у складі звіту наводиться висновок про поточні значення контрольованих параметрів будівельних конструкцій.

Результати моніторингу використовуються при оцінці технічного стану будівельних конструкцій, будівель та споруд. Кінцевим результатом оцінки технічного стану будівельних конструкцій може бути висновок про можливість (неможливість) подальшої експлуатації будівель та споруд у штатному режимі.

Постійний контроль технічного стану будівель та споруд з використанням автоматизованих систем організовується на відповідальних за критеріями безпеки конструкціях. При цьому використовуються прилади і обладнання з автоматичним зберіганням, обробленням і передачею результатів вимірювань по інформаційних каналах зв'язку.

Оцінювання параметрів технічного стану за їх граничними критеріями використовуються для прийняття рішень про⁵¹⁵:

- забезпечення безпеки людей;
- переведення об'єкта в режим аварійної експлуатації, виконання протиаварійних заходів та мінімізації можливих наслідків;
- підсилення несучих конструкцій об'єкта.

Система моніторингу будівельних конструкцій складається з наступних основних елементів:

- вимірювальних елементів контрольованих параметрів (вимірювальними елементами є датчики реєстрації зміни параметрів стану будівельних конструкцій. Точність вимірювань і кількість датчиків визначаються програмою моніторингу);
- інформаційної системи реєстрації, накопичення та первинної обробки показників контрольованих параметрів будівельних конструкцій;
- математичної моделі (або її автоматизованого аналогу в інформаційній системі) для оперативного попереднього прогнозування значень контрольованих параметрів будівельних конструкцій на найближчий час;
- системи налаштування й управління інформаційною системою моніторингу будівельних конструкцій.

⁵¹⁴ ДБН В.1.2-14:2018 Система забезпечення надійності та безпеки будівельних об'єктів. Загальні принципи забезпечення надійності та конструктивної безпеки будівель і споруд. [Чинний від 2019-01-01]. Вид. ДП «Укрархбудінформ», 2018. 30 с.

⁵¹⁵ Отрош Ю. А. Оцінка технічного стану стін і перекриттів житлових будинків після пожежі. *Збірник наукових праць [Полтавського національного технічного університету ім. Ю. Кондратюка]. Серія: Галузеве машинобудування, будівництво.* Полтава, 2016. №. 1. С. 212-220.

Математична модель (або її автоматизований аналог в інформаційній системі) дає можливість виконати оперативне попереднє прогнозування значень контрольованих параметрів будівельних конструкцій. Результатом оперативного попереднього прогнозу є висновок про експлуатаційну придатність контрольованих будівельних конструкцій з врахуванням можливої тенденції до погіршення їхнього технічного стану. Прогноз виходу реєстрованих значень визначених параметрів будівельних конструкцій за межу заданого критерію є основою для прийняття рішень щодо можливості подальшої експлуатації будівлі або споруди⁵¹⁶.

Математичне моделювання зміни технічного стану об'єктів, що складаються з великої кількості конструктивних елементів, досить складне. Це обумовлюється невизначеністю та випадковістю. Тому вибір моделі, яка описує змін стану будівлі, не є однозначним. Може бути використано багато різних моделей. На це впливають фізико-хімічні процеси, що протікають в матеріалах, з яких виготовлені конструкції, навантаження, процеси, які відбуваються під час експлуатації, якість виготовлення конструкцій. А також впливає інша група факторів – кліматичні фактори та оточуюче середовище.

В роботі в якості прикладу запропонована математична модель будівлі кінотеатру «ім. Гагаріна» по вул. Щусєва, 5 у Шевченківському районі міста Києва (Рис. 4). Необхідність у проведенні обстеження будівельних конструкцій виникла внаслідок припинення експлуатації будівлі за прямим призначенням без розробки і виконання в натурі заходів щодо консервації будівлі.



Рис. 4. Вигляд кладки стіни фасаду по осях 10-1

Будівля кінотеатру являє собою складну в плані різноповерхову споруду, яку побудовано в 70-х роках минулого століття. Конструктивна система основної частини будівлі безкаркасна з несучими цегляними стінами.

Для визначення мінімально необхідного армування конструкцій необхідно визначити напружено-деформований стан будівлі в цілому (зусилля, які виникають в конструкціях

⁵¹⁶ Otrosh, Y., Kovalov, A., Semkiv, O., Rudeshko, I., Diven, V. Methodology remaining lifetime determination of the building structures. *MATEC Web of Conferences*, 2018, 230, 02023. <https://doi.org/10.1051/matecconf/201823002023>.

будівлі, а також переміщення конструкцій). Для досягнення цієї мети розроблена скінченно-елементна модель будівлі в лінійній постановці задачі. Розрахунки будівлі виконані з урахуванням податливості основи і жорсткості монолітної фундаментної плити і конструкцій каркасу. Метою виконання комплексного розрахунку було отримання напружено-деформованого стану конструкцій будівлі і основи, як системи, що працює спільно.

Як несучі горизонтальні елементи в цій частині використано кроквяні збірні залізобетонні двоскатні балки прольотом 18 м. За результатами проведених досліджень балки відповідають маркуванню 1Б4-18-2 по серії ПК-01-06 (Рис. 5).

На верхній пояс кроквяних балок опираються ребристі плити покриття. За результатами проведених досліджень ребристі плити відповідають маркуванню ПНС-12 по серії ПК-01-111.

Просторова жорсткість основної частини будівлі забезпечується сумісною роботою цегляних стін товщиною 510 мм, які підсилено двома горизонтальними залізобетонними поясами, разом із залізобетонним горизонтальним диском покриття, який утворено шляхом приварювання закладних деталей плит до відповідних закладних елементів балок і замоноличування швів між ребрами плит покриття цементно-піщаним розчином.

Перекрыття над підвалом виконано зі збірних багатопустотних залізобетонних плит, тип ПК з бетону класу С25/30, які лежать уздовж буквених осей. По осі 4 плити опираються на збірні залізобетонні прогони перерізом 510x160 мм, довжиною 5980 мм з бетону класу С25/30. Перекрыття над 1-м поверхом виконано зі збірних багатопустотних залізобетонних плит, тип ПК з бетону класу С25/30, які лежать вздовж буквених осей, за виключенням осей В-Ж/3-(4/5). Перекрыття над 2-м поверхом виконано зі збірних багатопустотних залізобетонних плит довжиною 5760мм та 2760, шириною 1190 мм, товщиною 220 мм тип ПК з бетону класу С25/30, які лежать вздовж буквених осей.

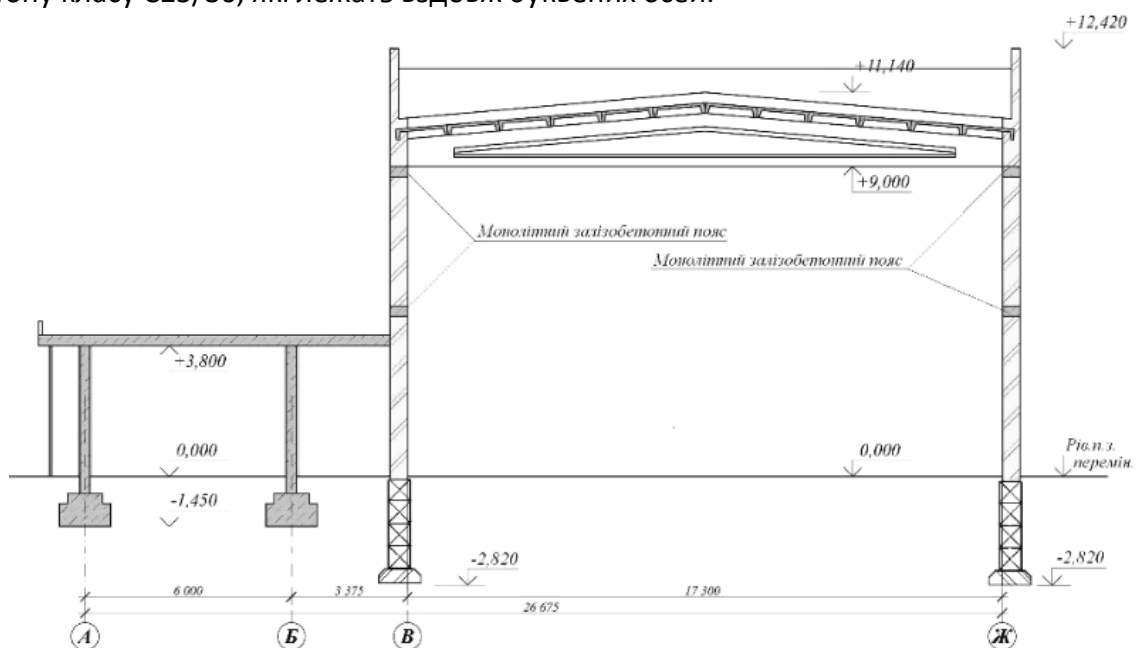


Рис. 5. Вигляд кладки стіни фасаду по осях 10-1

Розрахунки будівлі здійснені на основі математичної моделі, розробленої для сумісного розрахунку системи «ОСНОВА-ФУНДАМЕНТ-БУДІВЛЯ» (Рис. 6, 7).

Розрахунок виконано ітераційним способом, при якому на першому кроці роботи ПК "Lira-Windows" збираються навантаження у вигляді реакцій на позначці підшви фундаментів з урахуванням жорсткості конструкцій об'єкту, що розраховується, і постійних значеннях коефіцієнтів жорсткості основи. Отримані значення реакцій основи передаються

як величини навантажень тиску на розрахункову модель основи з подальшим її розрахунком по деформаціях (осіданням), по яких визначаються нові (перерозподілені) коефіцієнти жорсткості основи.

Комп'ютерна модель будівлі базується на скінчено-елементній апроксимації конструкцій (Рис. 6, 7).⁵¹⁷

Фундаменти та плитні конструкції змодельовано плоскими оболонковими скінченими елементами. Моделювання стін виконано оболонковими СЕ типу 41, 42 і 43 «чотирикутний елемент оболонки і трикутний елемент оболонки» Колони змодельовано СЕ типу 10 – «універсальний просторовий стрижень».

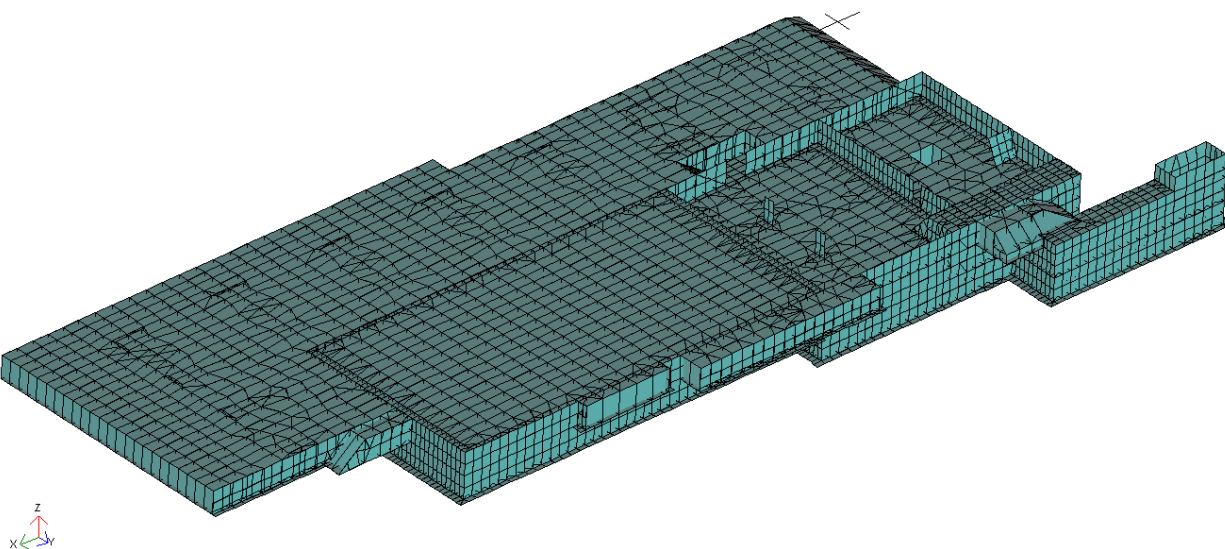


Рис. 6. Скінченно-елементна модель підземної частини будівлі

За результатами виконаних обстежень встановлено, що зовнішні стіни будівлі мають пошкодження, які свідчать про початок руйнування та зниження несучої здатності: відшарування облицювання, часткове замочування, розморожування та руйнування кладки в верхній частині стін в районі розташування водовідведення з покрівлі зальної частини й обпирання кроквяних балок на монолітний залізобетонний пояс, вивітрювання розчину з швів, локальні руйнування зовнішніх прошарків кладки в місцях замочування, послаблення цеглин, тріщини в кладці, випадання цеглин з кладки. Як найбільш імовірна причина появи пошкоджень в стінах розглядається незадовільно виконане водовідведення з покрівлі, припинення експлуатації будівлі без розробки і впровадження заходів щодо консервації, незадовільний стан вимощення, відсутність відведення атмосферних опадів за межі майданчика.

Модель ґрунту містить відомості про геологію в кожній точці майданчика будівництва. Кожен складовий ІГЕ (інженерно-геологічний елемент) описується наступними характеристиками ґрунту:

- модуль деформації E ;
- коефіцієнт Пуассона ν ;
- питома вага ґрунту γ .

⁵¹⁷ Otrosh, Y., Kovalov, A., Semkiv, O., Rudeshko, I., Diven, V. Methodology remaining lifetime determination of the building structures. *MATEC Web of Conferences*, 2018, 230, 02023. <https://doi.org/10.1051/matecconf/201823002023>.

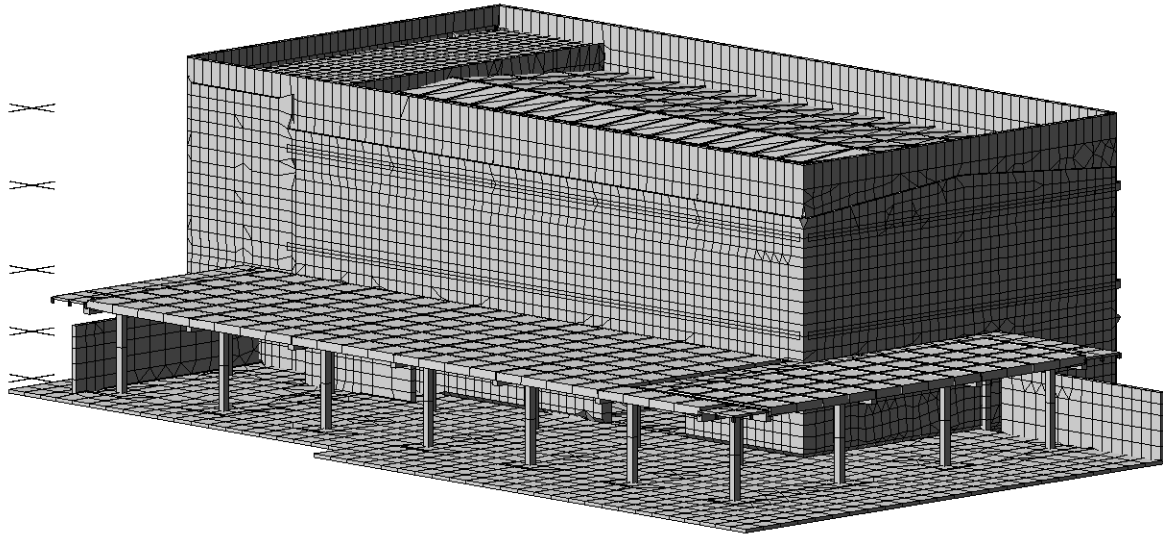


Рис. 7. Скінченно-елементна модель надземної частини будівлі

Виконано розрахунки конструкцій і встановлено, що найбільша деформація ґрунтів основи становить 22,19 мм під стінами зальної частини будівлі (Рис. 8). Згідно ДБН В.2.1-10-2009⁵¹⁸, для багатопверхових безкаркасних будівель з несучими стінами з цегляної кладки з улаштуванням залізобетонних поясів середні осідання не повинні перевищувати 18 см, тобто осідання розрахункові осідання будівлі не перевищують граничних величин.

Відповідно до вимог, які викладено в⁵¹⁹, стан зовнішніх стін будівлі оцінюється як непридатний для експлуатації. Для забезпечення подальшої надійної експлуатації стін будівлі необхідно виконати ремонт цегляної кладки, підмазування швів, очищення фасаду, відремонтувати вимощення. Рекомендується виконати заходи, які унеможливають замочування кладки стін – організоване водовідведення з покрівлі та території забудови, а також утеплення стін у відповідності з вимогами чинних нормативних документів.

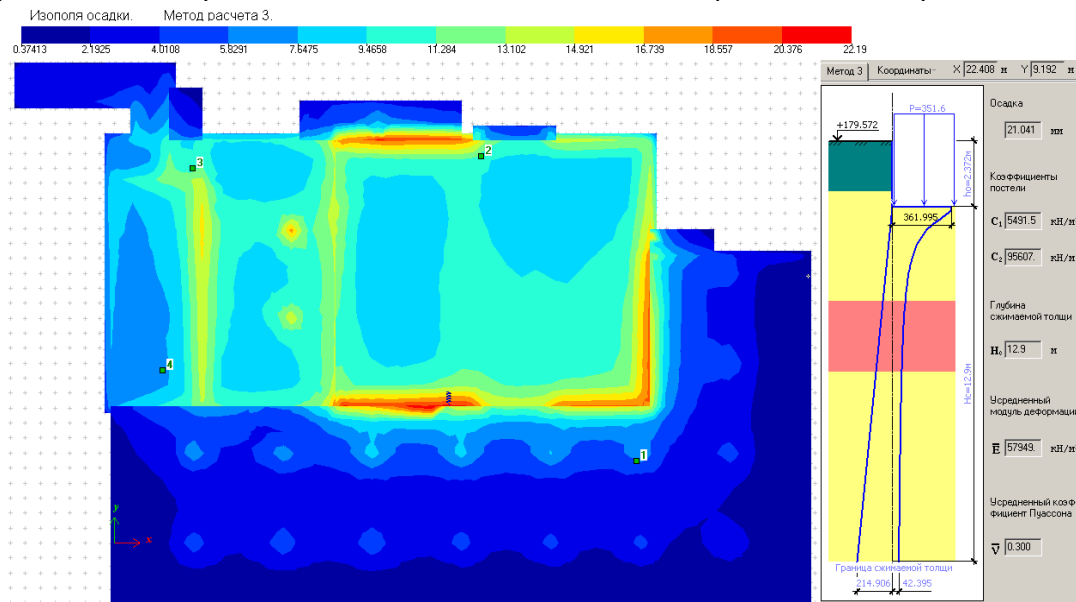


Рис. 8. Ізополя осідань, мм

⁵¹⁸ ДБН В.2.1-10-2009 Основи і фундаменти будівель та споруд. Основні положення проектування. [Чинний від 2009-07-01]. Вид. ДП «Державний науково-дослідний інститут будівельних конструкцій», 2009. 82 с.

⁵¹⁹ ДСТУ-Н Б В.1.2-18:2016 Настанова щодо обстеження будівель і споруд для визначення та оцінки їх технічного стану. [Чинний від 2017-04-01]. Вид. ДП «УкрНДНЦ», 2017. 45 с.

Розроблена модель дозволяє визначити зусилля і переміщення у всіх СЕ, якими змодельована будівля.

Отримані в ході проведених розрахунків дані (характер розвитку деформацій) дозволили провести порівняння з реальним розвитком деформацій і тріщин в стінах і провести коректування характеристик жорсткості елементів. Після проведеного коректування (коли характер розвитку деформацій в реальному будинку відповідав напружено-деформованому стану, отриманому в результаті розрахунку) було визначено зусилля в стрижньових елементах, що моделюють елементи підсилення. Такий підхід дозволив підібрати перетини елементів підсилення, розробити відповідні конструктивні рішення та виконати підсилення конструкцій в натурі.

Моніторинг будівельних об'єктів дозволяє визначити контрольовані параметри різних видів для контролю технічного стану будівельних конструкцій, будівель та споруд на різних етапах їх життєвого циклу: проектування, будівництва, експлуатації, консервування, розконсервації, ліквідації.

Висновки.

1. Моніторинг являє собою систему, в задачі якої входить збирання достовірної і оперативної інформації про стан експлуатаційної спрацьованості елементів будівель і споруд та інженерних систем, аналіз інформації з метою оцінки впливу факторів на стан експлуатаційної спрацьованості елементів, прогнозування строків відновлення, оцінка ефективності експлуатації.

2. Удосконалено методику в частині діагностики технічного стану і визначення залишкового ресурсу будівельних конструкцій для використання при проектуванні елементів підсилення конструкцій будівель та споруд. Для розрахунків конструкцій було використано моделювання напружено-деформованого стану конструкцій будівлі із залученням ОК ЛІРА. Це дозволяє розрахунковим шляхом виконати оптимізацію технічних рішень і конструкцій підсилення для будинків, які знаходяться в експлуатації, і виконати подальше підсилення з мінімальними витратами.

3. Технічний стан експлуатованих конструкцій будівель доцільно визначати на основі результатів виконаного обстеження з подальшим використанням отриманих результатів для моделювання технічного стану в програмному забезпеченні і перевірконого розрахунку системи «основа–фундамент–верхня будова». При цьому розрахунки необхідно проводити з урахуванням можливих комбінацій силових, деформаційних і високотемпературних впливів із застосуванням розрахункових схем і моделей, які найповніше відображають специфіку деформації всіх елементів системи.

4. При оцінці безпеки будівель та споруд, що експлуатуються, важливе місце відводиться діагностиці й натурним обстеженням технічного стану конструкцій та елементів. Неруйнуючий метод визначення механічних властивостей металу експлуатованих металевих і залізобетонних конструкцій («зрізу різьби»), має велике значення, як в плані можливості на зручності застосування, так і в плані достовірності отриманих даних.

Література:

1. Отрош Ю. А. Використання системи моніторингу для оцінки технічного стану будівельних конструкцій. *Промислове будівництво та інженерні споруди*. 2018. № 3. С. 3-7.
2. ДБН В.1.2-14:2018 Система забезпечення надійності та безпеки будівельних об'єктів. Загальні принципи забезпечення надійності та конструктивної безпеки будівель і споруд. [Чинний від 2019-01-01]. Вид. ДП «Укрархбудінформ», 2018. 30 с.
3. ДСТУ 2860-94 Надійність техніки. Терміни та визначення. [Чинний від 1996-01-01]. Вид. Інститут проблем надійності машин і споруд, 1995. 92 с.

4. ДБН В.1.2-5:2007 Система забезпечення надійності та безпеки будівельних об'єктів. Науково-технічний супровід будівельних об'єктів. [Чинний від 2008-01-01]. Вид. Науково-дослідний інститут будівельного виробництва (НДІБВ), 2007. 16 с.
5. Бабик К. Н. Оценка сейсмической безопасности зданий, сооружений и конструкций с применением теории риска: дис. ... канд. техн. наук: 05.23.01. 2007. 238 с.
6. Горохов Е. В., Шелихова Е. В. Определение порядка страхования техногенных рисков при оценке технического состояния и паспортизации строительных конструкций зданий и сооружений. *Буд. конструкції: Міжвідом. наук.-техн. зб.* Київ, 1999. Вип. 51. С. 144–149.
7. Отрош Ю. А., Дагіль В. Г., Малигін Г. О. Актуальність забезпечення безпеки об'єктів будівництва. *Науковий вісник будівництва.* Харків, 2012. № 70. С. 457-462.
8. ВСН 58-88(р). Положение об организации и проведении реконструкции, ремонта и технического обслуживания зданий, объектов коммунального и социально-культурного назначения. Москва: Стройиздат, 01. 07. 1989. 32 с.
9. Прогнозування залишкового ресурсу будівельних конструкцій після силових, деформаційних і високотемпературних впливів будівельних конструкцій при дії силових, деформаційних та високотемпературних впливів. / Національний університет цивільного захисту України; Керівник теми Ю. А. Отрош. № ДР 0119U000001003. Харків, 2019.
10. Отрош Ю. А. Розробка підходу до визначення технічного стану будівельних конструкцій при дії силових та високотемпературних впливів. *Вісник Одеської державної академії будівництва та архітектури.* 2018. № 71. С. 54-60.
11. ДСТУ-Н Б В.1.2-17:2016 Настанова щодо науково-технічного моніторингу будівель і споруд. [Чинний від 2017-04-01]. Вид. ДП «Державний науково-дослідний інститут будівельних конструкцій», 2017. 45 с.
12. ДСТУ-Н Б В.1.2-18:2016 Настанова щодо обстеження будівель і споруд для визначення та оцінки їх технічного стану. [Чинний від 2017-04-01]. Вид. ДП «УкрНДНЦ», 2017. 45 с.
13. Enkatesh, Preethi & Alapati, Mallika. Condition Assessment of Existing Concrete Building Using Non-Destructive Testing Methods for Effective Repair and Restoration-A Case Study. *Civil Engineering Journal.* 2017. 3. 841. DOI: 10.28991/cej-030919.
14. Dilek, U. Condition assessment of concrete structures. Failure, Distress and Repair of Concrete Structures. 2009. 84-137. DOI:10.1533/9781845697037.1.84.
15. M. Bilanič et al., "Application of Risk Analysis for Building Evaluation", *Advanced Materials Research*, Vol. 1020, pp. 879-882, 2014.
16. Mario Claudio Dejaco, Fulvio Re Cecconi, Sebastiano Maltese, Key Performance Indicators for Building Condition Assessment, *Journal of Building Engineering*, Volume 9, 2017, Pages 17-28, ISSN 2352-7102, <https://doi.org/10.1016/j.jobe.2016.11.004>.
17. Отрош Ю. А., Голоднов О. І., Іванов А. П. Комплекс взаємозв'язаних заходів щодо визначення параметрів напружено-деформованого і технічного стану конструкцій при різних впливах. *Збірник наукових праць Українського інституту сталевих конструкцій імені В. М. Шимановського.* 2011. № 8. С. 98-109.
18. Отрош Ю. А. Оцінка технічного стану стін і перекриттів житлових будинків після пожежі. *Збірник наукових праць [Полтавського національного технічного університету ім. Ю. Кондратюка]. Серія: Галузеве машинобудування, будівництво.* Полтава, 2016. №. 1. С. 212-220.
19. Otrosh, Y., Kovalov, A., Semkiv, O., Rudeshko, I., Diven, V. Methodology remaining lifetime determination of the building structures. *MATEC Web of Conferences*, 2018, 230, 02023. <https://doi.org/10.1051/mateconf/201823002023>.
20. ДБН В.2.1-10-2009 Основи і фундаменти будівель та споруд. Основні положення проектування. [Чинний від 2009-07-01]. Вид. ДП «Державний науково-дослідний інститут будівельних конструкцій», 2009. 82 с.

3.11. The newest technologies and their role are in forming of safety of society

3.11. Новітні технології та їх роль в формуванні безпеки суспільства

Вступ. В умовах безперервної та дуже жорсткої конкуренції за лідерство за контролем світових ринках передових технологій, Україні необхідно визначитися з тим, що зможе забезпечити їй не місце пересічного спостерігача за процесами освоєння новітніх технологій в світі, розподілу прибутку, а безпосередню участь в цьому довготривалому і складному процесі. Для цього потрібно не тільки більша активність у сфері досліджень та розробок інновацій, але й конкретні дії, які адекватні зусиллям конкурентів, спрямованим на підготовку до технологічної перебудови, яка безпосередньо залежить від розвитку перспективних та новітніх технологій (нанотехнологій) які змінюють попередні уяви про побудову безпеки існування суспільства та національної системи безпеки держави в цілому.

Нанотехнології почали визначати вигляд XXI століття. На думку зарубіжних цивільних і військових експертів, нанотехнології мають блискуче військове майбутнє і зроблять вирішальний вплив на розвиток озброєння, військової техніки, а також змінять характер сучасних бойових дій в більшій мірі, ніж свого часу винахід пороху. Це торкнеться наземної, авіаційної, морської техніки, засобів зв'язку, екіпіровки військовослужбовців, військово-польової медицини. Передові технології покликані зміцнити захист суспільства від постійно нових викликів небезпеки.

Аналіз попередніх публікацій. Питанню інноваційного розвитку, інноваціям, сучасним методам керування, трансферу технологій, його розвитку, механізмам правового регулювання, захисту прав інтелектуальної власності присвячено багато робіт вітчизняних та закордонних вчених: Геєць В. М., Семиноженко В. П., Краузе Г., Федулова Л. І., Михайлушкин А. І., Шимко П. Д., Верхюлст Г., Сервантес М., Лисенко В. С., Малицький Б. А., Соловйов В. П., Маслов В. П., Дагаєв А. Але на жаль не достатньо матеріалу пов'язаною з впливом новітніх технологій на вітчизняну інноваційну складову економіки та аспект по формуванню безпекового існування суспільства. Саме цьому важливому та актуальному питанню присвячена дана стаття, мета її – стислий аналіз ситуації в сфері новітніх технологій на базі нанодіяльності провідних країн світу та невеликого вітчизняного досвіду на прикладі Державної цільової науково-технічної програми «Нанотехнології та наноматеріали», що стосується розділу „ Забезпечення розвитку наноіндустрії. Це дозволить більш наглядно продемонструвати роль новітніх технологій в системі побудови безпеки життєдіяльності суспільства.

Незважаючи на кроки, що вживаються Україною заходи в сфері новітніх технологій, прогнози досліджень відводять країні досить скромне місце на технологічній мапі світу. Корпорацією RAND були виділено 16 прикладних напрямків технологічної революції, яка відповідає шостій хвилі технологічного розвитку Найбільші шанси добитися успіху по всіх 16 прикладних напрямках мають лише 7 з 29 розглянутих RAND країн. Це США, Канада, Німеччина, Південна Корея, Японія, Австралія, Ізраїль. Перспектива освоєння 12 напрямків технологічних додатків оцінюється RAND як реальна для чотирьох країн: Китаю, Індії, Польщі й Росії. У дослідженні RAND звертає на себе увага найбільш скептична та низька оцінка перспективи України. Очікується, що Китай і Індія зроблять крок до зближення з лідерами. Україні загрожує примикання до групи менш розвинених у технологічному відношенні країн (Бразилія, Чилі, Мексика й Туреччина).⁵²⁰

Широку популярність набула і стала прикладом для багатьох країн, включаючи і Україну, «Національна нанотехнологічна ініціатива» США, розроблена ще в 2000 році президентом

⁵²⁰ The Global technology. – 2006.

Б. Клінтоном. Ця ініціатива покликана забезпечити США світове лідерство у військовій і економічній областях на багато десятиліть, що успішно і концептуально здійснюється. В США щорічний міжвідомчий аналіз рівнів досягнення цілей і підтримки пріоритетів ННІ є частиною бюджетного послання президента. Законом («Закон про дослідження й розвитку нанотехнології в XXI столітті») установа періодична експертиза ННІ зовнішніми консультативними органами. Мова йде про використання двох незалежних експертних органів. По-перше, при президентові діє Національна нанотехнологічна координаційна рада (NNAP), що консулює президента по науці, технологіям, у питаннях, що стосуються ННІ. Цей експертний орган кожні два роки дає оцінку федеральній програмі нанотехнологічних досліджень. По-друге, відповідно до Закону раз у три роки експертизу ННІ повинна проводити Національна дослідницька рада при Національних академіях (NRC/NA). Важливо, що функції координації дій у сфері нанотехнологій і функції організаційно-технічного забезпечення (самої координації і її експертизи) у США виконують різні органи. США є визнаним лідером в області наносистем і матеріалів.

Нажаль, Європа так і не спромоглася опанувати лідерські позиції в сфері новітніх технологій і тепер стурбована тим, що подібне відбувається з технологіями нової хвилі. В «Шостій рамковій програмі ЄС по наукових дослідженнях і технологічному розвитку» (БРП) нанотехнології виступили найбільш пріоритетним напрямком європейських наукових досліджень. Цей пріоритет зберігся і в «Сьомій рамковій програмі ЄС по науковим дослідженням і технологічному розвитку» (7РП) (2007-2013 рр.). В цьому питанні Європейська комісія – найбільший інвестор нанотехнологічних досліджень у Європі. В ЄС більші надії в суперництві новітніх технологій та інновацій покладають на формування свого роду «загального ринку» відповідних досліджень та на їхнє активне фінансування. Однак поки об'єднана Європа здобула лише лідерство по числу наукових публікацій пов'язаних з нанодіяльністю. Сьома рамкова програма найшла своє продовження в рамковій програмі ЄС з досліджень та інновацій «Горизонт 2020». Вона триватиме з 2014 року до 2020 року з загальним бюджетом приблизно 70 млрд. євро.

Розвиток нанотехнологій може дати суттєві переваги суспільству, державі, яка володіє їми, у галузі по зміцненню захисту існування суспільства. Нанотехнології знаходять все більш широке застосування у військовій техніці, з'являється можливість створення мікромініатюрних пристроїв військового та спеціального призначення.⁵²¹ З використанням мініатюрних роботів вже зараз прогнозується можливість створення мікромініатюрних розподілених систем, на базі яких можуть бути створені великі мережі спостереження за приміщеннями, будівлями та цілими районами. Такі інтелектуальні мережі можуть адаптувати свій алгоритм роботи залежно від обстановки і вирішувати не тільки пасивні (знімання інформації), а й активні завдання – порушення функціонування об'єктів (боєприпасів, обладнання та лінії зв'язку та ін.).

Наноматеріали, як правило, легше вступають в хімічні перетворення, ніж більш великі об'єкти того ж складу, і тому здатні утворювати комплексні сполуки з раніше невідомими властивостями. Ситуація ускладнюється тим, що багато наноструктури виробляються не одним, а кількома способами. Ця обставина збільшує вірогідність ризиків, з якими можуть стикатися працівники технологічної nanoіндустрії. З іншого боку, воно дає підставу припустити, що зовні одні й ті ж «нанопродукти», виготовлені на основі різних технологій, надаватимуть неоднаковий вплив на людину та її місце існування. Передбачається, що стане можливим створення нових типів зброї для ураження людини на відстані, які буде дуже складно виявити або нейтралізувати.

⁵²¹ SmallTimes, http://www.smalltimes.com/document_display.cfm?document_id=56.

Застосування високих технологій в сучасній військовій техніці є запорукою успішного створенню механізму по забезпеченню мирного існування суспільства. Завдяки цьому підвищується автономність використовуваної бойової техніки, а також її ефективність. Вже існують автономні розвідувальні роботи-літаки і роботи, що допомагають вести наземні бойові дії.

Для прикладу наведу діяльність декількох американських військових компаній, які успішно впровадили нанотехнології. Компанія Crossbow, що спеціалізується на розробці різних електронних пристроїв, випустила систему навігації NAV420, яка дозволяє керувати військовою технікою на відстані. При цьому блок навігації можна підключити до літака, корабля, бойовій машині або танку. NAV420 також забезпечує зв'язок з GPS, видає точні координати, швидкість, і висоту тієї машини, на якій встановлений. Блок захищений від вібрації, герметичний, і може працювати в різних погодних умовах. Його вже використовують в управлінні безпілотними літаками Global Hawk, в нових машинах типу Hummer, керованих дистанційно, а також у дослідних зразках морських розвідувальних судів. Система NAV420 настільки гнучка, що її використовують льотчики авіаносців в якості автопілоту. Особливо багато позитивних відгуків про роботу навігатора в жорстких умовах експлуатації, коли пілотів важко посадити літак на авіаносець. Математик Алекс Райан з дослідницького відділення міністерства оборони США розробив алгоритми управління групою бойових одиниць, використовуючи при цьому природний аналог – вулик бджіл. Як стверджує Алекс, колективні комахи вміють вести війну зі своїми ворогами кількома способами, і, при цьому, кожна одиниця вулика знає, що їй треба робити. Алекс планує випробувати свій алгоритм на "вулику" літаючих безпілотних дронів, які коштують набагато менше, ніж Global Hawk.⁵²²

Наноконпанії вже кілька років поспіль вдосконалюють системи захисту від хімічної і біологічної зброї. Тільки 2002 році уряд США виділив на дослідження засобів біологічного та хімічного захисту півмільярда доларів. У підсумку за термін фінансування з 2002 по 2004 рядом компаній були розроблені ефективні захисні засоби. Засоби захисту простягаються від захисних рукавичок, які не пропускають токсичні речовини і до спеціальних кремів, які зменшують токсичність патогенів, що потрапили на шкіру солдата. Компанія NanoScale Materials Inc. в цьому році запропонувала комерційний продукт на основі нанотехнологій, який нейтралізує токсичні хімікати. Компанія Gentex Corp., США у співпраці з NanoScale Materials Inc. розробила захисний костюм для солдатів, в якому використовується матеріал, інтегрований з порошком FAST ACT. Для захисту від спор Bacillus anthracis, бактерії, найбільш поширеною в якості військового бактеріологічного агента, компанія Nanomaterials Research Corp. запропонувала використовувати фулерени, з'єднані з антитілами. Результати клінічних випробувань препарату показали, що він вбиває саму бактерію до того, як концентрація патогенів в організмі призведе до його смерті. При цьому, з моменту зараження організму антраксом пройшло 24 години.⁵²³

Інша компанія, CombiMatrix, запропонувала чіп визначення біологічної небезпеки розмірами з поштову марку. Пристрій може визначити присутність кількох видів різного бактеріологічної зброї. На його базі CombiMatrix випустила детектор HANAA, який можна використовувати в польових умовах. Цей мініатюрний прилад поміщається в долоні, живлення від батареї і важить близько одного кілограма. Принцип його дії заснований на реплікації ДНК зразка за допомогою полімеразної ланцюгової реакції. Пристрої були успішно

⁵²² Офіційний сайт компанії Crossbow.

⁵²³ Офіційний сайт компанії NanoScale Materials Inc.

протестовані на спеціальному танку "FOX" в ході війни в Іраку. Танк виявив сліди рицину, зарину, антраксу та інші токсини⁵²⁴.

Внаслідок надзвичайно стрімкого розвитку нанотехнологій і їхнім вирішальним внеском у більшість галузей промисловості постає не відкладне питання про оперативне розповсюдження інформації про створені інноваційні нанотехнології та їхнє освоєння. Це стає найбільш актуальним для України в умовах новітніх форм та стратегій введення бойвих дій.

Тому зараз в Україні існує потреба у створенні національних ресурсах які б забезпечували процес трансферу технологій, а саме: маркетингове, консалтингове, правове та інформаційне супроводження.⁵²⁵ Це дозволить оперативно розміщувати інформацію про існуючі розробки та вивчати попит на нові технології, забезпечуючи при цьому оперативний пошук інвесторів та аналіз потреб ринку.⁵²⁶

Автор статі був співвиконавцем Державної цільової науково-технічної програми «Нанотехнології та наноматеріали», що стосується розділу „Забезпечення розвитку наноіндустрії”. І тому для вирішення вищезгаданих потреб на цей вид діяльності був отриманий Патент України на корисну модель “Спосіб створення електронного центру віртуального офісу (віртуальних офісів) трансферу технологій”.⁵²⁷ На основі отриманого Патенту було започатковано:

- Інтернет-офіс трансферу технологій, що об’єднуватиме та координуватиме діяльність фахівців відділів трансферу з різних установ НАН України для просування розробок, здійснених за кошти Державної програми «Нанотехнології та наноматеріали».

- Інтернет-портал «Нанотехнології та наноматеріали», в якому розміщується інформація про дослідження і розробки, здійснені при виконанні Державної цільової науково-технічної програми «Нанотехнології та наноматеріали».

Це не створило додаткові відділи трансферу технологій як окремих структурних одиниць, а об’єднує існуючі відділи та спеціалістів в структурі НАН України на Інтернет - площадці, а саме - створення Інтернет-офіс трансферу технологій. Було залучено фахівців з різних установ НАН України, які працюють у різних галузях науки та мають досвід з етапів трансферу технологій, дозволить охопити основні наукові напрями цієї програми. Спеціалісти з відділів трансферу технологій в on-line режимі обмінюються інформацією, практичними порадами, вдосконалюють свою кваліфікацію, не залишаючи при цьому власного робочого місця. В подальшому планується тісна співпраця з Європейською мережею трансферу технологій.⁵²⁸

Державна цільова науково-технічна програма «Нанотехнології та наноматеріали» має важливе фундаментальне та прикладне значення для вітчизняної науки. В ході її виконання, виникли перші науково-технічні здобутки для створення розробок по забезпеченню безпечного існування суспільства. Було розроблено та впроваджено комплекс базових технологій відновлення, регенерації, модернізації та виготовлення елементів систем

⁵²⁴ Офіційний сайт компанії CombiMatrix.

⁵²⁵ Склярєнко О. О., Маслов В. П., Фесенко О. М., Андросюк Г. М. Інтернет-портал як інструмент трансферу технологій // Проблеми науки. – 2011. – № 11. – С. 14-20.

⁵²⁶ Склярєнко О. О., Інформаційні технології в системі інноваційного розвитку та трансферу технологій // Проблеми науки. – 2013. – № 12 (156). – С. 17-21.

⁵²⁷ Патент України № 62271 на корисну модель, Україна, МПК G06F 15/173(2006.01). Спосіб створення електронного центру віртуального офісу (віртуальних офісів) трансферу технологій / Фесенко О. М., Тищенко В. В., Маслов В. П., Склярєнко О. О., Рагуля А. В., Луговська Г. Г., Андросюк Г. М., Кияк Ю. П., заявка u201015936 від 29. 12. 2010., опубл. 25. 08. 2011, Бюл. № 16.

⁵²⁸ Дослідження потенційних ринків збуту для розробок, створених під виконання Державної цільової науково-технічної програми "Нанотехнології та наноматеріали" // Звіт з науково-дослідної роботи ІФН ім. В. Є. Лашкарьова НАНУ, реєстраційний номер 0114U004216. — 2014.

спостереження та прицілювання бронетанкової техніки. На сьогодні кількість приладів спостереження та прицілювання суттєво зростає (додалися лазерна дальномірна система, прилади «нічного» бачення, тепловізори, тощо), тому актуальною задачею стало відновлення прозорості зруйнованих оптичних поверхонь та можливість зміцнення прецизійних деталей спостереження та прицілювання, наприклад, шкали та сіток. В бойових умовах існує висока вірогідність руйнації зовнішньої поверхні і, тому, необхідно відновлювати вікно за рахунок оптично прозорого клею з показником заломлення близьким до скла. При використанні такого клею та захисної пластини міцність скління та його оптичні властивості відновлюються.

При експлуатації лазерних дальномірів систем прицілювання поступово на полірованих торцевих поверхнях виникають пошкодження у вигляді точкових прожогів. Спільно з НВП «Карат» запропоновано технологію ремонту, яка передбачає переполірування цих поверхонь та нанесення просвітлюючих покриттів. Крім того, спільно з НВП «Карат» та НВК «Фотоприлад» заплановані роботи по вирощуванню гранатових кристалів для виготовлення та випробування стержнів для дальномірів на їх основі.

Нанотехнології дозволяють створювати нові напівпровідники і оптику, унікальні конструкційні матеріали, мініатюрні датчики виявлення компонентів біологічної зброї та хімічних речовин, а також комп'ютери, які за своєю продуктивністю на кілька порядків перевершать існуючі аналоги.

Для вирішення проблем розвитку наукоємної промисловості існує декілька підходів. Один з них – це визначення пріоритетних напрямків науково-технічних досліджень, концентрація на них ресурсів і підвищення мотивації колективів учених, розроблювачів і інноваційних структур, орієнтованих винятково на ринок високих технологій і відповідної продукції. Як результат – стає можливим не тільки створення ринків новітніх конкурентноспроможних товарів і послуг, а і ринків новітніх технологій⁵²⁹. Такий підхід обумовлений не тільки необхідністю прискорення виробництва новітніх товарів та послуг, але і більш глибокими тенденціями скорочення всього життєвого циклу продукції та послуг. Труднощі реалізації такого шляху пов'язані, насамперед, з використанням інноваційних технологій менеджменту, які раніше не існували. Тобто, прискореного розвитку наукоємної промисловості можна домогтися тільки на інноваційному шляху розвитку, який крім інвестицій потребує створення нових ринкових інститутів і механізмів.⁵³⁰

Висновки. Економіка України має низький рейтинг по конкурентно-спроможності та освоєнню високих технологій, тому виникає невідкладна потреба в стимулюванні інноваційної діяльності та оперативному поширенні інформації про перспективні розробки, в першу чергу, в галузі нанотехнологій.

Проведення досліджень і розробок в галузі наноматеріалів, наносистем і нанотехнологій має винятково важливе значення для забезпечення оборони і безпеки держави. Створення високотехнологічної української наноіндустрії, здатної конкурувати з економічно розвиненими країнами світу на внутрішньому й зовнішньому ринках нанопродукції в ключових областях забезпечення обороноздатності, технологічної безпеки й економічної незалежності держави, підвищення якості життя населення, стає найбільш актуальним і значимим, в умовах військової агресії з боку колись дружньої держави, як Росія.

⁵²⁹ Булкін І. О. Перешкоди науково-технічному розвитку України в контексті питання щодо формування системи його пріоритетів // Наука и наукознание. – 2013. – № 2.

⁵³⁰ Геєць В. М., Семиноженко В. П. Інноваційні перспективи України. – Харків: Константа, 2006. – 272 с.

В цьому напрямку необхідна реструктуризація підприємств шляхом злиття ведучих і лідируючих підприємств у певних галузях з підприємствами що відстають, перебувають у скрутному стані, це формує вертикальне інтегрування великих підприємств і холдингів.

На порядку денному - подолання галузевих і відомчих підходів до розробки й реалізації інноваційних проектів, посилення координації між розвитком нанотехнологій і запозиченням технологій для модернізації галузей шостого технологічного укладу. Відновлення головної ролі НАН України, як флагмана фундаментальної та прикладної науки в державі, не шляхом постійного скорочення фінансування та штату працівників, яке призведе до повної руйнації наукових шкіл, а шляхом розробки чіткого уявлення того, що без науково-технічної діяльності наша держава не зможе протистояти жорстким викликам сьогодення.

Література:

1. The Global technology. – 2006.
2. Supplement to the President's. – 2009.
3. SmallTimes, http://www.smalltimes.com/document_display.cfm?document_id=56.
4. Офіційний сайт компанії Crossbow.
5. Офіційний сайт компанії NanoScale Materials Inc.
6. Офіційний сайт компанії CombiMatrix.
7. Офіційний сайт компанії US Global.
8. Скляренко О. О., Інформаційні технології в системі інноваційного розвитку та трансферу технологій // Проблеми науки. – 2013. – № 12 (156). – С. 17-21.
9. Патент України № 62271 на корисну модель, Україна, МПК G06F 15/173(2006.01). Спосіб створення електронного центру віртуального офісу (віртуальних офісів) трансферу технологій / Фесенко О. М., Тищенко В. В., Маслов В. П., Скляренко О. О., Рагуля А. В., Луговська Г. Г., Андросюк Г. М., Кияк Ю. П., заявка u201015936 від 29. 12. 2010, опубл. 25. 08. 2011, Бюл. № 16.
10. Дослідження потенційних ринків збуту для розробок, створених під виконання Державної цільової науково-технічної програми "Нанотехнології та наноматеріали" // Звіт з науково-дослідної роботи ІФН ім. В. Є. Лашкарьова НАНУ, реєстраційний номер 0114U004216. – 2014.
11. Булкін І. О. Перешкоди науково-технічному розвитку України в контексті питання щодо формування системи його пріоритетів // Наука и наукознание. – 2013. – № 2.
12. Геєць В. М., Семиноженко В. П. Інноваційні перспективи України. – Харків: Константа, 2006. – 272 с.

3.12. Innovative technologies in fire fighting: compression foam

3.12. Інноваційні технології в пожежогасінні: компресійна піна

Основним вогнегасячим засобом на сьогодні є вода. Але лише 20% її бере участь у гасінні пожежі, крім цього використання води може тягти за собою значні матеріальні збитки.^{531,532} Використання пін при пожежогасінні скорочує час для гасіння пожежі, зменшує кількість води, необхідну для ліквідації вогню, і є більш універсальним засобом. В даний час в США, Європі та інших провідних країнах поширені системи подачі компресійної піни. Особливість даних установок, на відміну від повітряно-механічних систем, полягають в можливості генерації піни за рахунок одночасної подачі в спеціальну камеру змішування повітря під тиском і водяного розчину піноутворювача, а не генерації розчину за допомогою ежектуючого повітря. До основних переваг компресійної піни можна віднести утворення піни, яке відбувається безпосередньо біля насосної установки, на відміну від звичайної вогнегасної піни, яка утворюється вже у приладі гасіння, що дозволяє зменшити енергетичні затрати на її доставку до місця пожежі, можливість подачі піни на великі відстані та гасіння електрообладнання. Пожежні рукави, заповнені компресійною піною, значно легші, а, отже, підвищується маневреність ствольщика.^{533,534,535,536,537}

Основними складовими елементами системи CAFS є пожежний насос, компресор (або балони з повітрям) і система регулювання подачі піноутворювача.^{538,539,540} З насосу виходить вода під тиском, до якої у необхідній пропорції додається піноутворювач. Можливо утворення водного розчину піноутворювача безпосередньо в насосі або перед ним. Далі до утвореної суміші додається повітря під тиском, за допомогою якого утворюється піна низької кратності, що надалі рухається рукавами. Найпростішу схему отримання газонаповненої піни наведено на Рис. 1.

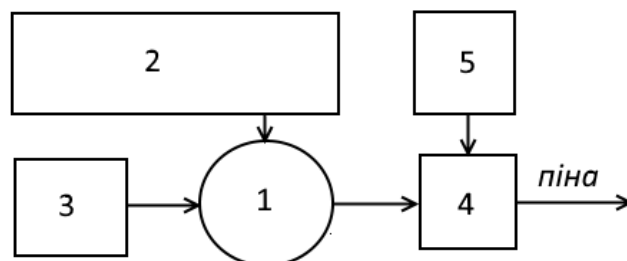


Рис. 1. Схема отримання газонаповненої піни: 1 – насос; 2 – цистерна для води; 3 – ємність з піноутворювачем; 4 – пінозмішувач; 5 – компресор

На сьогоднішній день в Україні використовуються повітряно-механічні системи подачі піни, і для того, щоб впровадити на наш ринок системи подачі компресійної піни, необхідно провести аналіз існуючих закордонних систем, експериментальних досліджень із застосування компресійної піни та розробити спосіб для технічного проектування параметрів відчизняних установок CAFS.

⁵³¹ Korolchenko A. Y. (2004). Pozhezhovybukhonebezpeka rehovyn i materialiv ta zasoby yikh hasinnia. 747.

⁵³² Terebnev V. V. (2004) Dovidnyk kerivnyka hasinnia pozhezhi. Taktychni mozhlyvosti pozhezhnykh pidrozdiliv. 248.

⁵³³ LaPolla J. A. (2012). Compressed Air Foam Fire Grounds Evolution Tests California Polytechnic State University.

⁵³⁴ Li Huiqing. (2000). Experimental study of foam generated by compressed air foam system., 105-111

⁵³⁵ Taylor R. G. (1998). Compressed Air Foam Systems in Limited Staffing Conditions., 75-112.

⁵³⁶ Murdock, J. I. (1997). Compressed air foam systems: A project pertaining to an adoption decision.

⁵³⁷ Colletti D. J. (1994). Testing CAFS in live burns Fire Engineering, 147, 74-76.

⁵³⁸ Hrytsyna I. M. (2016). Skhema otrymannia kompresii noi piny ta dysperhovanoi vodi, 78-83.

⁵³⁹ Tytarenko A. V. (2015). Hazonapovnena pina – efektyvnyi zasib pozhezhohasinnia lisovykh pozhez, 246-250.

⁵⁴⁰ Michael A. (2002). U.S. Patent No. 6357532 B1.

Метою дослідження є розробка способу для проектування технічних параметрів систем подачі компресійної піни для подальшого їх впровадження у підрозділах ДСНС України. Для досягання поставленої мети був проведений аналіз існуючих закордонних систем CAFS, експериментальних досліджень із застосування копресійної піни.

Серед провідних світових виробників засобів протипожежного призначення системи газонаповненої піни (CAFS – compressed air foam system) набули значного поширення.

Можна виділити три основних напрямки застосування CAFS:

- стаціонарні автоматичні системи пожежогасіння;
- мобільні установки пожежогасіння;
- вбудовані системи в пожежні автомобілі.

Однією з найбільш відомих виробників систем газонаповненої піни є німецька фірма «One seven»^{541,542}, яка володіє патентом на цю технологію та виготовляє стаціонарні та мобільні установки пожежогасіння. На Рис. 2 наведений пристрій для утворення компресійної піни, запатентований «One seven».

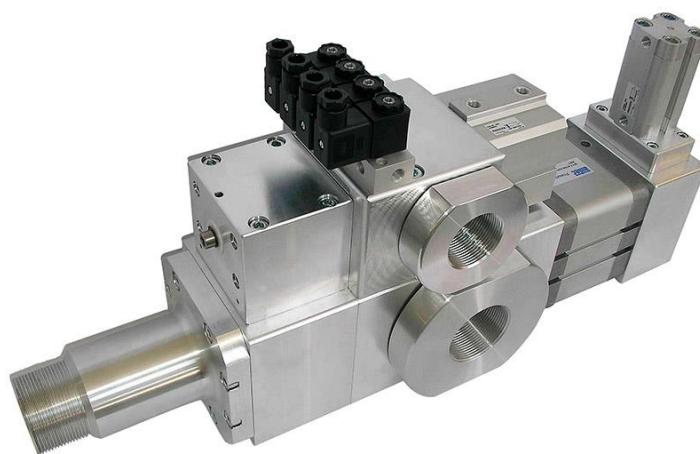


Рис. 2. Система утворення газонаповненої піни VDS-Approved One Seven

Системи One seven генерують газонаповнену піну з вмістом піноутворювача в розчині у діапазоні від 0,3 до 1 %. При цьому співвідношення об'єму розчину піноутворювача до об'єму повітря у готовій піні складає 1:7, що й набуло відображення у назві технології. На Рис. 3 наведено зображення стаціонарної установки пожежогасіння «One seven».⁵⁴³



Рис. 3. Стаціонарна установка пожежогасіння One seven

⁵⁴¹ Belova A. (2009). Narod, kotoryi yzobrel porokh, znaet, kak borotsia s ohne 18-19.

⁵⁴² Oneseven.

⁵⁴³ Systeme, einfach, sicher und okonomisch.

На Рис. 4 наведено принцип роботи цієї системи. Водяний насос подає водний розчин піноутворювача до піногенератора, до якого в свою чергу компресор нагнітає повітря. Живлення елементів системи здійснює електричний блок, а блок керування відповідає за співвідношення води, піноутворювача та повітря. Від піногенератора вже готова піна рухається до споживачів.

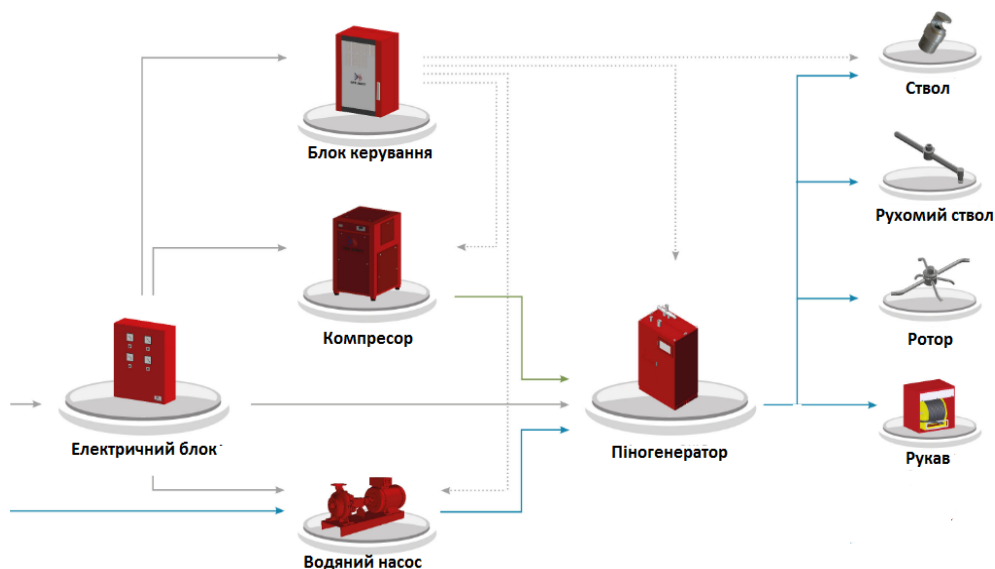


Рис. 4. Принцип роботи установки «One seven»

Окрім наведеного, компанія «One seven» виготовляє наступні установки пожежогасіння⁵⁴⁴:

- Stored-Energy-Systeme – замкнена система з запасом води, піноутворювача та повітря дозволяє працювати до 10 хвилин при гасінні пожежі;
- Maxi-Xtinguisher – мала стаціонарна система із заздалегідь підготовленим водним розчином піноутворювача, що знаходиться під тиском, має дуже малий час приведення в дію;
- Wandhydranten WXS – стаціонарна настінна система пожежогасіння, що може бути використана як альтернатива звичайним пожежним кранам, має рукав довжиною до 60 м та дальність подачі струменя піни до 15 м протягом 20 хвилин.

Французький виробник протипожежної техніки Gimaex, яку компанія One seven постачає автомобільними модулями пожежогасіння, виготовляє лінійку пожежних автомобілів з вбудованими системами газонаповненої піни (Рис. 5): автоцистерни, аеродромні автомобілі, лісові пожежні автомобілі, автомобілі для промислових підприємств.⁵⁴⁵

У Російській Федерації з 2012 року компанією «СпецАвтоТехника» розроблено та впроваджено у виробництво систему гасіння пожеж компресійною піною «NATISK».^{546,547,548,549} Основними перевагами запропонованої системи виробники називають скорочення часу гасіння в 5-7 разів, та зниження витрати води у 5-15 разів за рахунок

⁵⁴⁴ Systeme, Oneseven

⁵⁴⁵ Firefighting Vehicles. Gimaex.

⁵⁴⁶ Описанье технологий NATISK. (2011).

⁵⁴⁷ Zalesov S. V. (2014). Novi sposob sozdaniya zhradytelnykh y opornykh protyvorozharnykh polos, 90-94.

⁵⁴⁸ Zalesov S. V. (2014). Sistema pozharotusheniya NATISK dlia ostanovky y lokalizatsyy lesnykh pozharov.

⁵⁴⁹ Zalesov S. V. (2016). Yspolzovaniye systemy pozharotusheniya NATISK pry lykvitatsyy torfianyykh pozharov, 4-10.

скорочення часу роботи ствола. Кратність готової піни – 5-15. Повітря нагнітається від балонів під тиском.

З систем NATISK слід виділити мобільні установки пожежогасіння «NATISK-50M BL», «NATISK-100M BL» та «NATISK-300M BL».^{550,551}

Також «СпецАвтоТехника» виготовляє пожежні автомобілі, що реалізують систему NATISK [18]. Це пожежні автоцистерни та автомобілі першої допомоги, які можуть бути виготовлені на базі автомобілів Урал, КамАЗ, ГАЗ, УАЗ, SILANT.

Санкт-Петербурзькою фірмою «Сталт» розроблена та впроваджена технологія компресійної піни STALT-fireflex, що реалізована (Рис. 5) в установках автоматичного пожежогасіння.⁵⁵² У цих системах використовується 2%-вий розчин піноутворювача, кратність готової піни – 10.



Рис. 5. Установка автоматичного пожежогасіння STALT-fireflex

Застосування компресійної піни є новим способом пожежогасіння. Тому кількість наукових робіт, що присвячено цій тематиці значна менша у порівнянні з іншими напрямками пожежогасіння. Найбільша кількість відомих досліджень присвячено використанню компресійної піни для гасіння рідких горючих речовин.

Так, у роботі⁵⁵³ оцінювалась вогнегасна ефективність системи подачі компресійної піни при різних співвідношеннях кількості стисненого повітря і водного розчину піноутворювача для гасіння пожеж рідких горючих речовин з використанням плівкоутворюючого піноутворювача AFFF 3%. У дослідженні⁵⁵⁴ порівнювалась ефективність гасіння пожеж рідких горючих речовин з використанням піноутворювачів класу А (змочувачі) і AFFF

⁵⁵⁰ Zalesov S. V., Hodovalov H. A., (2014). Systema pozharotusheniya NATISK dlia ustanovky y lokalyzatsyy lesnykh pozharov. Sovremennyye problemy nauky y obrazovaniya

⁵⁵¹ Zalesov S. V., Hodovalov H. A., Krektunov A. A. (2016). Yspolzovanye systemy pozharotusheniya NATISK pry lykvydatsyy torfianykh pozharov. Lesa Rossyy y khoziaistvo v nykh, 1 (56), 4-10.

⁵⁵² Zalesov S. V., Hodovalov H. A., Krektunov A. A. (2016). Yspolzovanye systemy pozharotusheniya NATISK pry lykvydatsyy torfianykh pozharov. Lesa Rossyy y khoziaistvo v nykh, 1 (56), 4-10.

⁵⁵³ Dong-Ho R. (2016). Class B Fire-Extinguishing Performance Evaluation of a Compressed Air Foam System at Different Air-to-Aqueous Foam Solution Mixing Ratios, 2-12.

⁵⁵⁴ Crampton G. (2007). Comprasion of the Fire Suppression Performance of Compressed – Air Foam with Air Aspirated and Unexpanded Foam Water Soption, 1-25.

(плівкоутворюючий). У роботі ⁵⁵⁵ вивчено вплив типу пінних бульбашок системи CAFS на час гасіння пожежі. Як джерело загорання використовували бензин. Щодо застосування компресійної піни для гасіння твердих горючих речовини, то в дослідженні ⁵⁵⁶ проведено порівняння ефективності гасіння таких пожеж компресійною піною та повітряно-механічною піною низької кратності. Автором ⁵⁵⁷ проведено експериментальні дослідження, в результаті чого отримані дані по значенням струмів витоку по струменю компресійної піни для різних показників від ствола до мішені, при різних значеннях напруги і показників кратності. Ряд досліджень було спрямовано на пошук оптимальних способів змішування компонентів в УКП. Так, у роботі ⁵⁵⁸ проаналізовано існуючі способи вводу повітря в камеру змішування CAFS.

Таким чином, усі відомі дослідження спрямовані, в основному, на експериментальне визначення ефективності застосування компресійної піни для гасіння пожеж різних речовин. При цьому в експериментальних дослідженнях застосовуються УКП з різними технічними параметрами, аналіз яких проведений вище. Спосіб розробки та проектування вищезазначених систем запатентовані виробниками та відсутній у відкритому доступі. Тому важливою проблемою для впровадження систем подачі компресійної піни у підрозділах ДСНС України на сьогодні, є відсутність змоги самостійної розробки, проектування та визначення технічних параметрів таких систем, для подальшого їх застосування для боротьби з пожежами.

На сьогодні загальною тенденцією при проектуванні різноманітних конструкцій є розробка математичних моделей. Розробка таких моделей передувє конструктивним рішенням та часто є розрахунковою основою для них. Така математична модель дозволить аналітично отримати та спроектувати оптимальні технічні параметри установки для генерації компресійної піни для конкретного випадку її застосування під час гасіння пожежі.

Розробка математичної моделі установки для генерації компресійної піни. Досить часто математична модель є багатовимірною системою рівнянь алгебраїчних, диференціальних, яку можна вирішувати, як правило, тільки чисельними методами. Тому для побудови математичної моделі було обране графічне середовище імітаційного моделювання Simulink (інтегроване в програмне середовище MatLab), що дозволяє за допомогою окремих блоків у вигляді направлених графів, будувати динамічні моделі. Використання Simulink є зручним інструментом для вирішення таких проблем при описанні стаціонарних та перехідних процесів при проектуванні конструкцій.

Математична модель установки для генерації компресійної піни створена таким чином, що вона є об'єднанням окремих блоків, кожний з яких являє собою автономну математичну модель зі своїми входом та виходом, за допомогою яких здійснюється взаємодія між блоками в процесі виконання загальної задачі моделювання:

- блоку подачі газу (БПГ);
- блоку подачі суміші води та піноутворювача (БПВП);
- блоку піногенеруючої вставки (БПВ);
- блоку вихідного сопла (БВС).

⁵⁵⁵ Jing-yuan C. (2014). Experimental Research of Integrated Compressed Air Foam System of Fixed (ICAF) for Liquid Fuel, 44-56.

⁵⁵⁶ Kamlyuk A. (2017). Tusheniya pozharov penogeneriruyuschimi sistemami so szhatyim vozduhom. 44-53.

⁵⁵⁷ Fadyaev V. D. (2017). Primenenie kompressionnoy penyі v nasosno-rukavnyih sistemah pri tushenii pozharov elektrooborudovaniya pod napryazhenim.

⁵⁵⁸ Feng D. (2013). Analysis on Influencing Factors of the Gas-liquid Mixing Effect of Compressed Air Foam Systems, 105-111.

Ці окремі блоки можна змінювати відповідно до змін конструкції установки, залишаючи тільки сталю зовнішню оболонку (кількість входів, виходів, розмірність) окремого блока.

В математичному сенсі ця математична модель є еволюційна система диференційно-алгебраїчних рівнянь, що виконує задачу опису перехідного процесу (для певних заданих параметрів) при подачі тиску на вхідний отвір 2 установки на Рисунку 6.

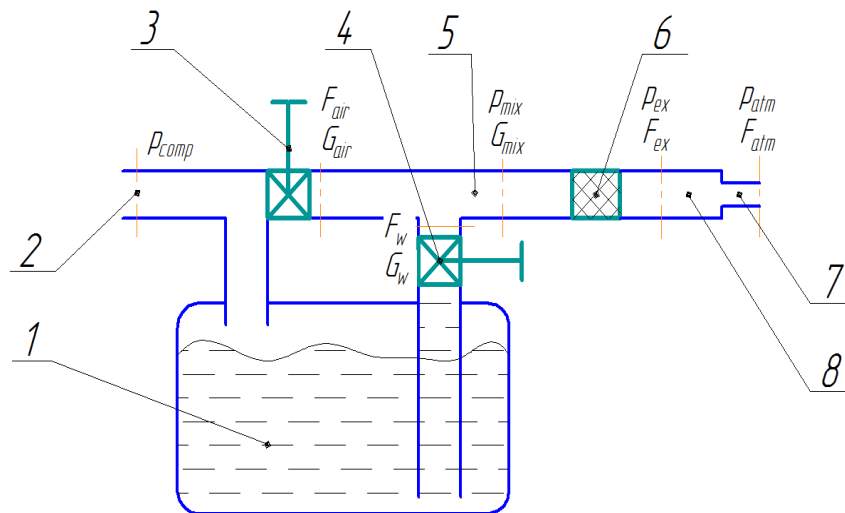


Рис. 6. Функціонально-фізична схема установки для генерації компресійної піни: 1 – ємність з сумішшю, 2 – вхід для високого тиску, 3 – дросель газовий, 4 – дросель рідинній, 5 – камера змішування, 6 – піногенеруюча вставка, 7 – вихідне сопло, 8 – передкамера.

Проведемо моделювання кожного з функціональних блоків УКП.

Вхідними параметрами для блоку подачі газу є:

- p_{comp} – тиск на вході 2 рис. 6 в УКП, Па;
- p_{mix} – тиск у камері змішування, 5 рис. 6, Па;
- d_a – діаметр отвору сопла подачі газу, м.
- T – температура гальмування газу, К
- κ, R_{air} – характерні сталі для обраного робочого газу, Дж/(кг·К).

Вихідним параметром є:

- G_a – потік газу (масової витрати) через отвір сопла подачі газу, кг/с.

Тобто алгоритм обчислення потоку газу (масової витрати), що реалізує роботу блоку подачі газу має вид

$$G_a = G_a(d_a, p_{comp}, p_{mix}, \kappa, R_{air}, T). \quad (1)$$

Для вирішення задачі моделювання блоку подачі газу використаний метод гідродинамічних функцій.⁵⁵⁹ Потік газу (масова витрата) через сопло, що утворюється при дроселюванні буде обчислюватися за формулою:

⁵⁵⁹ Abramovich G. (1976). Prikladnaya gazovaya dinamika, 600.

$$G_a = \frac{\pi \cdot d_{air}^2 \cdot m_{const} \cdot p_{comp} \cdot \left(\frac{k+1}{2}\right)^{\frac{1}{k-1}} \cdot \lambda \cdot \left(1 - \frac{k-1}{k+1} \cdot \lambda^2\right)^{\frac{1}{k-1}}}{4 \cdot \sqrt{T}}, \text{ кг/с}, \quad (2)$$

де λ – приведена швидкість газу; T – температура гальмування газу, К; m_{const} – характерна стала для газу.⁵⁶⁰

Для блоку подачі суміші води та піноутворювача вхідними параметрами є:

- p_{comp} – тиск в ємності суміші 1 Рис. 6, Па;
- p_{mix} – тиск у камері змішування 5 Рис. 6, Па;
- d_w – діаметр отвору сопла подачі суміші, м.

Вихідними даними є:

- G – потік суміші (масової витрати) через отвір сопла подачі, кг/с.

Алгоритм обчислення цього блоку:

$$G_w = G_w(\rho_w, d_w, p_{comp}, p_{mix}), \text{ кг/с}. \quad (3)$$

Виходячи з рівності потенційної енергії тиску в ємності суміші 1 Рис. 6 та кінетичної енергії струменя води, що виходить з рідинного дроселя, 4 Рис. 6, напишемо рівняння:

$$v_w = \sqrt{2 \cdot \frac{(p_{comp} - p_{mix})}{\rho_w}}, \text{ м/с}, \quad (4)$$

де ρ_w – густина суміші води з піноутворювачем, кг/м³.

Тоді потік суміші води з піноутворювачем можна обчислити за формулою:

$$G_w = \frac{\pi}{4} \cdot v_w \cdot \rho_w \cdot d_w^2, \text{ кг/с}. \quad (5)$$

Розглядаючи блок піногенеруючої вставки, позначимо його вхідні параметри:

- p_{mix} – тиск на вході 2 рис. 6, в установку, Па;
- p_{ex} – тиск у камері змішування 5 рис. 6, Па;
- d_{ex} – діаметр отвору виходу суміші газу та рідини (води та піноутворювача), м;
- T – температура гальмування газу, К;
- κ, R_{air} – характерні сталі для обраного робочого газу, Дж/(кг·К);
- k_m – кратність одержаної піни;
- ε_{gr} – порозність пористого тіла;
- d_{gr} – середня товщина стінки пористого тіла, м;
- D_{gr} – діаметр піногенеруючої вставки, м;
- H_{gr} – довжина піногенеруючої вставки, м;

Вихідним параметром є:

- G – потік суміші газу та рідини (масової витрати) у передкамеру 8 рис. 6, кг/с.

Виходячи з фізики процесів, прийняте допущення, при якому піногенеруюча вставка розглядається як осесиметричне пористе тіло з одновимірною течією газу. Тоді, згідно з⁵⁶¹:

⁵⁶⁰ Там само.

⁵⁶¹ Kutateladze S. (1976). Hidrodinamika gazozhidkostnyih sistem, 143.

$$dp(h) = \frac{\lambda_{fr}(p) \cdot \rho_{mix}(p) \cdot \omega_e^2(p)}{2 \cdot D_{eff}(\varepsilon)} \cdot dh, \text{ Па}, \quad (6)$$

де $dp(h)$ – диференціал тиску як функція координати вздовж осі тіла, Па; dh – диференціал координати вздовж осі тіла, м; $\lambda_{fr}(p)$ – коефіцієнт аеродинамічного опору; $\rho_{mix}(p)$ – густина суміші газу та рідини, кг/м³; $\omega_e(p)$ – швидкість руху суміші газу та рідини у мікроканалах тіла, м/с; $D_{eff}(\varepsilon)$ – ефективний діаметр тіла, м.

Під час проходження потоку через цей блок відбувається активне перемішування та контактування всіх фаз, що формують газорідинну суміш. Внаслідок більш значної витрати по масі води (при типових значеннях кратності), встигає відбутися обмін тепла між окремими фазами. Тому даний процес вважаємо ізотермічним термодинамічним процесом, тоді, з урахуванням перетворень, отримаємо:

$$\rho_{mix}(p) = \frac{G_a + G_w}{\frac{G_a}{\rho_{air_NC} \cdot \frac{p}{p_a}} + \frac{G_w}{\rho_w}} = \frac{\rho_{air_NC} + \frac{\rho_w}{k_m - 1}}{\frac{p_{NC}}{p} + \frac{1}{k_m - 1}}, \quad (7)$$

де G_a, G_w – масова витрата газу та суміші води з піноутворювачем, відповідно, кг/с; ρ_{air_NC} – густина робочого газу при нормальних умовах, кг/м³; p_{NC} – нормальний атмосферний тиск, Па; ρ_w – густина суміші води з піноутворювачем, кг/м³; k_m – кратність отриманої піни.

Вважаючи, що динамічна в'язкість суміші газу та рідини пропорційна об'ємним долям компонентів, а також те, що суміш знаходиться в умовах ізотермічного процесу, отримаємо формулу залежності в'язкості суміші газу та рідини від тиску:

$$\mu(p) = \frac{\mu_{air_NC} \cdot k_m \cdot V_w \cdot \left(\frac{p_a}{p}\right) + \mu_w \cdot V_w}{V_w + k_m \cdot V_w \cdot \left(\frac{p_a}{p}\right)} = \frac{\mu_{air_NC} \cdot k_m \cdot \left(\frac{p_a}{p}\right) + \mu_w}{1 + k_m \cdot \left(\frac{p_a}{p}\right)}, \quad (8)$$

де μ_{air_NC} – динамічна в'язкість робочого газу при нормальних умовах, Па·с; μ_w – динамічна в'язкість суміші води з піноутворювачем, Па·с.

Використовуючи формули ⁵⁶² для визначення $\omega_e(p)$ – швидкості руху суміші газу та рідини у мікроканалах тіла і $\lambda_{fr}(p)$ – коефіцієнта аеродинамічного опору, виконавши відповідні підстановки у формулу (6) та вирішуючи це диференціальне рівняння методом розділення змінних (p та h) отримаємо:

$$0.113 \cdot d_{ch}^{\frac{1}{4}} \cdot D_{gr}^{4\frac{1}{2}} \cdot \varepsilon^{2\frac{1}{4}} \cdot \left(\rho_{air_NC} + \frac{\rho_w}{k_m - 1}\right) \times \\ \times \int_{p_{ex}}^{p_{mix}} \frac{1}{\frac{p_a}{p} + \frac{1}{k_m - 1}} \cdot \left(\frac{1 + k_m \cdot \left(\frac{p_a}{p}\right)}{\mu_a \cdot k_m \cdot \left(\frac{p_a}{p}\right) + \mu_w}\right)^{\frac{1}{4}} \cdot dp = B, \quad (9)$$

де H – довжина піногенеруючої вставки, м; B – проміжна змінна величина.

⁵⁶² Planovskiy A. (1961). Protsessyi i apparaty himicheskoy tehnologi, 848.

При цьому

$$B = \int_0^H G^{1\frac{3}{4}} \cdot dh = G^{1\frac{3}{4}} \cdot H. \quad (10)$$

Тоді

$$G = \left[\frac{1}{H} \cdot 0.113 \cdot d_{ch}^{\frac{1}{4}} \cdot D_{gr}^{4\frac{1}{2}} \cdot \varepsilon^{2\frac{1}{4}} \cdot \left(\rho_{air_NC} + \frac{\rho_w}{k_m - 1} \right) \times \right. \\ \left. \times \int_{p_{ex}}^{p_{mix}} \frac{1}{\frac{p_a}{p} + \frac{1}{k_m - 1}} \cdot \left(\frac{1 + k_m \cdot \left(\frac{p_a}{p} \right)}{\mu_a \cdot k_m \cdot \left(\frac{p_a}{p} \right) + \mu_w} \right)^{\frac{1}{4}} \cdot dp \right]^{\frac{4}{7}}, \text{ кг/с.} \quad (11)$$

В результаті отримано алгоритм обчислення потоку газо-рідинної суміші (масової витрати), що реалізує роботу блоку подачі газу:

$$G = G(p_{mix}, p_{ex}, k, k_m, D_{gr}, \varepsilon, \mu_a, \mu_w, H). \quad (12)$$

Щодо блоку вихідного сопла, то його вхідними параметрами є

- p_{ex} – тиск на вході, у передкамері 8 рис. 6, в сопло, Па;
- p_a – статичний тиск навколишнього середовища, 0,1 МПа;
- d_j – діаметр отвору сопла, м.
- κ, R_{air} – характерні сталі для обраного робочого газу (показник адіабати та газова стала для повітря), Дж/(кг·К)..

Вихідними даними є:

- G – потік суміші газу та рідини (масової витрати) через отвір сопла, кг/с.

Процес руху суміші газу та рідини (стискаєма рідина) вздовж сопла є швидкоплинним процесом, тому можна вважати, що не встигає відбутися обмін тепла між окремими фазами, тому даний процес вважаємо адіабатним термодинамічним процесом для газової фази.

Згідно рівняння Бернуллі⁵⁶³:

$$\int_{p_{ex}}^{p_a} \frac{1}{\rho_{mix}(p)} dp = \frac{\omega_{ex}^2 - \omega_{atm}^2}{2}, \quad (13)$$

де p_{ex} – тиск у передкамері 8 рис. 1, Па; p_a – нормальний атмосферний тиск на виході з сопла, Па; $\omega_{ex}, \omega_{atm}$ – швидкості на вході та виході сопла, м/с,

Маючи на увазі, що:

$$G = \omega_{ex} \cdot \rho_{mix}(p_{ex}) \cdot F_{ex} = \omega_{atm} \cdot \rho_{mix}(p_a) \cdot F_{atm}, \text{ кг/с,} \quad (14)$$

⁵⁶³ Abramovich G. (1976). Prikladnaya gazovaya dinamika, 600.

де F_{ex} , F_{atm} – площа перерізу на вході та виході сопла, м², та вирішуючи рівняння (13) та (14) з урахуванням прийнятих припущень, отримуємо величину потоку суміші газу та рідини (масової витрати) G через отвір сопла:

$$G = \left[\frac{\left(-k \cdot p_a^{\frac{1}{k}} \cdot (k_m - 1) \cdot p_{ex}^{\frac{k-1}{k}} + (k_m \cdot p_a - p_{ex}) \cdot k + p_{ex} - p_a \right)}{(k-1) \cdot \left(k_m^2 \cdot F_{ex}^2 - \left(F_{atm} \cdot (k_m - 1) \cdot \left(\frac{p_a}{p_{ex}} \right)^{\frac{1}{k}} + F_{atm} \right)^2 \right)} \times \right]^{\frac{1}{2}}, \text{ кг/с.} \quad (15)$$

$$\times (\rho_{air_NC} \cdot k_m + \rho_w - \rho_{air_NC}) \cdot F_{ex} \cdot F_{atm}$$

В результаті отримано алгоритм обчислення потоку суміші газу та рідини (масової витрати), що реалізує роботу блоку вихідного сопла:

$$G = G(p_{ex}, k, k_m, F_{ex}, F_{atm}), \text{ кг/с.} \quad (16)$$

Для проведення розрахунків за допомогою розробленої математичної моделі, з урахуванням перехідних процесів та контролю помилки, розгляд яких виходить за межі даної статті, необхідно задати вхідні параметри. Вони задаються довільно, та для отримання бажаних вихідних параметрів установки, підбираються шляхом ітерацій. У випадку незадовільної точності необхідно збільшувати значення “Simulation Stop Time” (панель інструментів).

Початковими умовами для змінних величин є:

$p_{mix} = 0,1$ МПа;

$p_{ex} = 0,1$ МПа.

Вхідні параметри:

p_{comp} – тиск компресора, МПа,

d_a – діаметр отвору сопла подачі газу, м.

d_w – діаметр отвору сопла подачі суміші, м.

ϵ_{gr} – порозність пористого тіла;

d_{gr} – середня товщина стінки пористого тіла, м;

D_{gr} – діаметр піногенеруючої вставки, м;

H_{gr} – довжина піногенеруючої вставки, м;

d_j – діаметр отвору сопла, м.

Вихідні параметри:

G_a – потік (масова витрата) газу через вихідний отвір сопла установки (в суміші), кг/с,

G_w – потік (масова витрата) суміші води та піноутворювача через вихідний отвір сопла установки (в суміші), кг/с,

G – потік (масова витрата) суміші газу та рідини (масової витрати) через отвір сопла, кг/с,

k_m – кратність піни,

$Error$ – величина відносної помилки ММ при обчисленні вихідних параметрів.

Найбільш важливим результатом розробки математичної моделі установки для генерації компресійної піни є можливість проведення технічного розрахунку її параметрів з урахуванням потреб. Авторами проведено відповідні оцінкові розрахунки, результати яких наведено в Табл. 1.

Таблиця 1. Результати чисельного моделювання роботи установки для генерації компресійної піни

P_{comp} , МПа	P_{mix} , МПа	P_{ex} , МПа	d_w , 10^{-3} м	d_a , 10^{-3} м	d_j , 10^{-3} м	k_m	Витрата суміші води та ПУ Q_w , л/с	Витрата повітря Q_a , л/с	Час спорожнення газового балону 7 л t_a , хв	Необхідна ємність суміші води та ПУ V_w , л
Піногенератор: e_gr=0.25-D25-L80										
0,6	0,58	2,3	4,6	5	8	82	0,12	9,95	2,2	7,2
0,6	0,58	2,3	5	5	8	82	0,13	9,1	2,4	7,8
0,8	0,78	2,9	5	5	8	81	0,15	12,4	1,7	9
0,8	0,76	2,9	5	4	8	51	0,19	9,7	2,35	11,4
Піногенератор: e_gr=0.25-D25-L60										
0,8	0,8	2,4	8	9	10	104	0,17	18	1,3	10,2
0,8	0,8	2,4	9	9	10	82	0,2	16	1,5	11,4
0,8	0,8	2,4	12	9	10	47	0,26	12	2	17
0,8	0,8	2,4	15	9	10	30	0,33	10	2,4	18,3
Піногенератор: e_gr=0.25-D25-L120										
0,8	0,8	1,7	20	7	10	11	0,4	4,1	5,7	99,1
0,8	0,8	1,7	15	7	10	19	0,3	5,4	4,3	65
0,8	0,8	1,7	12	7	10	29	0,25	6,7	3,5	52
0,8	0,8	1,8	8	7	10	63	0,16	10	2,4	18,3

Оцінюючи результати розрахунків, можна зробити висновки, що розроблена математична модель УКП дозволяє розв'язувати наступні прикладні та наукові завдання:

- 1) проводити розрахунки параметрів УКП в залежності від очікуваного часу її роботи, що визначається особливостями гасіння різних видів пожеж;
- 2) проводити розрахунки параметрів УКП в залежності від кратності компресійної піни, яку необхідно отримати;
- 3) досліджувати вплив параметрів піногенеруючої вставки УКП на кратність компресійної піни.

Висновки. Таким чином, математична модель УКП може використовуватись під час проектування технічних параметрів ситсем подачі компресійної піни для гасіння пожеж різних класів генерації компресійної впливу фізичних параметрів установки на якість компресійної піни. Проведено оцінкові розрахунки параметрів установки для генерації компресійної піни з використанням розробленої математичної моделі. Отримані результати можуть бути використані проектувальниками при розробці промислових зразків установок для генерації вогнегасної компресійної піни на території України для їх подальшого впровадження в підрозділах ДСНС.

Література:

1. Korolchenko A. Y., Korolchenko D. A. (2004). Pozhezhovybukhonebezpeka rehovyn i materialiv ta zasoby yikh hasinnia. Dovidnyk, Pozhnauka, 747.
2. Terebnev V. V. (2004) Dovidnyk kerivnyka hasinnia pozhezhi. Taktychni mozhlyvosti pozheznykh pidrozdiliv. Pozhnauka, 248.
3. LaPolla J. A., Morano A. L. (2012). Compressed Air Foam Fire Grounds Evolution Tests. California Polytechnic State University.
4. Li Huiqing. (2000). Experimental study of foam generated by compressed air foam system. Beijing Forestry University, 105-111
5. Taylor R. G. (1998). Compressed Air Foam Systems in Limited Staffing Conditions. Technical report 98. Morristown Fire Bureau, New Jersey, 75-112.

6. Murdock, J. I. (1997). Compressed air foam systems: A project pertaining to an adoption decision. Executive Development Research Paper. Emmitsburg, MD, National Fire Academy.
7. Colletti D. J. (1994). Testing CAFS in live burns Fire Engineering, 147, 74-76.
8. Hrytsyna I. M., Lievtierov O. A. (2016). Skhema otrymannia kompresiinoi piny ta dysperhovanoi vodi. Problemy pozharnoi bezopasnosti, 39, 78-83.
9. Tytarenko A. V. (2015). Hazonapovnena pina – efektyvnyi zasib pozhezhohasinnia lisovykh pozhezh. Naukovyi visnyk NLTU Ukrainy, 25 (9), 246-250.
10. Michael A. (2002). U.S. Patent No. 6357532 B1. Washington, DC: U.S. Patent and Trademark Office.
11. Belova A. (2009). Narod, kotoryi yzobrel porokh, znaet, kak borotsia s ohne. Pozharnoe delo, 5, 18-19.
12. Oneseven. Retrieved from: <http://www.oneseven.com>.
13. Systeme, einfach, sicher und okonomisch. Retrieved from: <http://www.oneseven.com/de/stationaer-brandschutz/systeme/standard-system/beschreibung.php>.
14. Systeme, Oneseven Retrieved from: <http://www.oneseven.com/de/stationaer-brandschutz/systeme.php>.
15. Firefighting Vehicles. Gimaex. Retrieved from: <http://www.gimaex.com/?Mod1=artikel&MenuID=8&MainMenuID=2&Sprache=GB>.
16. Opyssanye tekhnolohyy NATISK. (2011). Retrieved from: <http://www.specialauto.ru/catalog/524.html>.
17. Zalesov S. V., Hodovalov H. A., Krektunov A. A., Opletaev A. S. (2014). Novi sposob sozdaniya zahradytelnykh y opornykh protyvopozharnykh polos. Vestnyk Bashkyrskoho hosudarstvennogo ahrarnoho unyversyteta. 3, 90-94.
18. Zalesov S. V., Hodovalov H. A., (2014). Systema pozharotusheniya NATISK dlia ostanovky y lokalyzatsyy lesnykh pozharov. Sovremennye problemy nauky y obrazovaniya, 3.
19. Zalesov S. V., Hodovalov H. A., Krektunov A. A. (2016). Yspolzovanye systemy pozharotusheniya NATISK pry lykvydatsyy torfianykh pozharov. Lesa Rossyy y khoziaistvo v nykh, 1 (56), 4-10.
20. Dong-Ho R., Jang-Won L., Seonwoong K. (2016). Class B Fire-Extinguishing Performance Evaluation of a Compressed Air Foam System at Differen Air-to-Aqueous Foam Solution Mixing Ratios. Applied Science, 6 (191), 2-12. doi: 10.3390/app6070191.
21. Crampton G., Kim A. (2007). Comprasion of the Fire Suppression Performance of Compressed – Air Foam with Air Aspirated and Unexpanded Foam Water Sopution. Research Report, 147, 1-25.
22. Jing-yuan C., Mao X. (2014). Experimental Research of Integrated Compressed Air Foam System of Fixed (ICAF) for Liquid Fuel. Procedia Engineering, 71, 44 – 56. doi: <https://doi.org/10.1016/j.proeng.2014.04.007>.
23. Kamlyuk A., Navrotskiy O., Grachulin A. (2017). Tusheniya pozharov penogeneriryuschimi sistemami so szhatyim vozduhom. Vestnik Universiteta grazhdanskoy zaschityi MChS Belarusi, 1, 1, 44-53.
24. Fadyaev V. D. (2017). Primenenie kompressionnoy penyi v nasosno-rukavnyih sistemah pri tushenii pozharov elektrooborudovaniya pod napryazhenim. Dis. kandidata teh. nauk: 05.26.03. M.: 158.
25. Feng D. (2013). Analysis on Influencing Factors of the Gas-liquid Mixing Effect of Compressed Air Foam Systems. Procedia Engineering, 52, 105-111. doi: <https://doi.org/10.1016/j.proeng.2013.02.113>.
26. Abramovich G. (1976). Prikladnaya gazovaya dinamika, 600.
27. Kutateladze S., Styirikovich M. (1976). Gidrodinamika gazozhidkostnyih sistem, 143.
28. Planovskiy A., Ramm V., Kagan S. (1961). Protsessyi i apparaty himicheskoy tehnologii, 848.

Annotation

Part 1. Socio-Cultural Aspects of Personality Development

1.1. Oksana Abramova, Tetiana Khrinenko, Nataliya Horbenko. Formation of creative activity of future teachers of technology in practical activity.

In article features of formation of creative thinking and ability to creative activity as components of competence of the modern teacher are considered. Search of optimum methods, forms of the organization of educational activity of students which use promotes mastering knowledge and the generalized ways of actions in concrete pedagogically production situations is carried out, in particular, frontal, individual and group forms of the organization of educational activity of students, interactive training, pedagogical interaction are investigated. The attention to features of application of group educational activity in practical training of future teachers of labor training (technologies) on the example of teaching disciplines «A technological practical work» and «Educational and technological practice» is paid. In article it is opened process of creative activity during practical training of students on the example of teaching a subject matter «The drawing and composition of a suit» where occupations are directed to obtaining skills of the image of the projected garment. Students use methods of stylization and transformation in the course of processing of a creative source in a dress code. Such types of activity induce to activization of creative process, generation of the new ideas promoting creative search, formation of creative imagination and art abilities.

1.2. Tetyana Bugaenko, Zhanna Chernyakova, Yurii Korzh, Zoya Korzh, Nadiya Avramenko. Method of forming an individual style of professional activity of future physical education teachers in the process of pedagogical practice.

The author's method of formation of the individual style of professional activity of future physical education teachers in the process of pedagogical practice as a gradual process of personal entry into the professional environment is substantiated. The method is implemented in three stages: adaptation, individualization, integration. The substantive and procedural essence of the adaptation stage is the assimilation of norms, goals, tasks, forms, methods, techniques and tactics of professional activity of physical education teacher. The stage of individualization involves the search of future physical education teachers for the means of affirmation of own individuality, formation of stable value attitude to sports-pedagogical activity and identification of an individual style of activity. The stage of integration promotes the formation of a stable system of special, specific forms and methods of professional activity of the individual, characterized by an individual and peculiar approach to the organization of physical-health, mass-sports and health-development process in educational institutions, as well as continuous professional development and self-realization, is distinguished by the increase of the effectiveness of sports and pedagogical activity, the stability of manifestations of ISPA, the establishment of the relations of cooperation and co-creation with students and colleagues.

1.3. Nina Filippova, Olena Shcherbak, Larisa Snigur. Informational and innovational technologies of media literacy (the experience of training applied linguists).

The article concerns the problems of functioning the problems of media literacy as a definite professional linguistic competence. A number of particular innovation methodological approaches to integrating media education to the whole educational content is outlined and analysed. A wide specter of building informational media literacy into the complex and flexible system of training applied linguists is shown focusing both on theoretical training and various types of self-study tasks and projects based on definite disciplines. Specific seminars and trainings relating to media literacy are described.

1.4. Igor Videnieiev. Specific features of deformation of moral and ethical consciousness in the structure of deviant behavior of juvenile offenders.

In the presented work, we conducted a study of the role of moral and ethical self-consciousness in the formation and development of deviant forms of behavior among juvenile, justified the need to create a post-penitentiary system to support juvenile offenders, proposed a program to prevent recidivism.

1.5. Sviltana Gyra, Iryna Ushakova, Maryna Korobeynik. Theoretical approaches to studying personal's emotional intelligence.

The article considers the emotional sphere of personality. Emotional intelligence and its structure are considered as the ability to understand the emotional sphere of a person, that is, understand and distinguish emotions, use them to achieve those goals that are related to relationships and motivation. The author tried to deal with such important aspects of emotional intelligence as emotional abilities, emotional competence. Also has been made a content analysis of emotional intelligence models.

1.6. Ihor Ivanii, Olena Ivanii. Designing socio-cultural development of the student's personality in the system of professional physical culture education.

The article deals with the design strategy of socio-cultural development of the student's personality in the system of professional physical culture education. Features of selection of physical education content on the basis of ideas of knowledge integration, creation of uniform developing educational space as unity of ways, values, means and ways of education are investigated. The importance of social interaction of a student in the context of his / her professional training (interaction in physical-health activity, functional-motor and interpersonal interaction) in the socio-cultural development of the future specialist of physical culture education and corresponding educational technologies are considered.

1.7. Zoya Korzh, Yurii Korzh, Tetyana Bugaenko, Oksana Beshpalova, Nadiya Avramenko. The analysis of the efficiency of physical rehabilitation programs for women's obesity at a sanitary resort stage of treatment.

The article is devoted to the development of the program of physical rehabilitation and evaluation of its effectiveness of the alimentary-constitutional form of obesity of the I-II stages of 35-55-year-old women at a sanitary resort stage of treatment. Women, who

underwent a rehabilitation course according to the developed program, which included: diet therapy, morning gymnastics using Body flex exercises, therapeutic gymnastics, dosed walking with use of diaphragmatic breathing, hydrobalneokinesiotherapy with exercises on simulators, underwater shower-massage, thalassotherapy, aerotherapy, received positive results in reducing body weight and volume, improving the functional status of the cardiorespiratory system relative to the comparison group.

1.8. Yurii Korzh, Zoya Korzh, Tetyana Bugaenko, Oksana Bespalova, Nadiya Avramenko. The peculiarities of using the plot classes with children simulators in the complex rehabilitation of children after bronchitis.

The article analyzes the study of a comprehensive program of physical rehabilitation, which included a number of storytelling activities («The adventures of the lion cubs in the forest», «The playful bear cubs» and «The journey to magical Africa») of therapeutic gymnastics using children's rubber foam simulators and fairy-tale manuals, rational nutrition, aromatherapy procedures, imagotherapy and Su Jok therapy, exercises of paradoxical breathing by O. M. Strelnikova and pneumatic massage to improve the function of the cardio-respiratory system, the tone of the main muscle groups of the trunk and limbs, formation of the stereotype of the correct mechanism of external respiration through the nose and the correct posture, increased excursion of the chest and gas exchange of young school children with recurrent bronchitis.

1.9. Nataliia Kuksa, Yuriy Lyannoy, Yulia Karpenko. Innovative educational technologies and methods in the professional training of future physical therapists, occupational therapists.

The article presents the features of the implementation of innovative educational technologies in the process of training future specialists in physical therapy, occupational therapy in higher education. The advantages of various innovative educational technologies in the context of the training of future specialists in physical therapy and occupational therapy are highlighted. The difficulties that accompanied the introduction of innovative educational technologies in the educational process of training future specialists in physical therapy and occupational therapy are identified.

1.10. Iryna Kurilchenko, Iryna Ostopolets, Hanna Ediher. Ways of preventing psychoemotional stress of adults living on demarcation line.

The article deals with the concept of stress and the reasons it occurs among adolescent pupils. Varieties of stress, its phases and peculiarities of its manifestation among schoolchildren are revealed. The results of empirical researches on the level of stress resistance of adolescent pupils living on demarcation line, their anxiety, rigidity, frustration and aggressiveness are described. The necessity of carrying out preventive and corrective-therapeutic work with pupils was determined as a result of the paper. Psychologist's work with the pupils who showed low level of stress resistance and high anxiety and frustration is described.

1.11. Natalia Kucherenko, Sergey Kucherenko. Peculiarities of psychological support of the combat-training of future specialists of extreme profile.

The conducted theoretical and methodological analysis shows that the main direction of the system of training in higher military educational establishments is the indicators of academic success of training; the priority in the combat training of future officers is shifted towards their cognitive component. One of the most important conditions for achieving the quality of training of cadets for combat service is the psychological support of the educational process, which consists in the purposeful use of psychological knowledge, means of psychological influence in both organizational and educational areas aimed at improving the success of training.

1.12. Lina PereLygina, Anton Shvalb, Sofiia Bogomazova. Psychological features of sanogenic thinking of cadets of NUCDU.

The article is devoted to the problem of studying sanogenetic thinking among cadets of NUCDU. Thinking as a psychological process, features of sanogenic thinking and features of sanogenic thinking are considered, pathogenic thinking is also mentioned. Separately considered are the features that affect the personality of the cadet during vocational training and on his professional functions.

1.13. Nataliia Svitlychna, Natalia Afanasieva, Iryna Akulova. Key features of readiness to activity of a psychologist in extreme situations.

The article is devoted to the problem of a person's psychological readiness for professional activity, namely the psychologist's readiness in extreme conditions for professional activity. In his work, the author defined the psychological readiness of the future psychologist for professional activity in extreme conditions as a stable, long-term readiness for professional activity. As a system of knowledge and practical skills, professionally significant psychological properties and abilities of a person, which determine the achievement of a result that is adequate to the requirements of activity, this is a condition for self-development and self-realization of a person through professional activity. The basis for the formation of a person's psychological readiness for activities in extreme conditions is his adaptive capabilities. They are one of the most important factors ensuring its high emotional and neuropsychic stability.

1.14. Nataliia Svitlychna, Valerii Bosniuk, Vitalii Sobyna, Nadija Shechovcova. Victimity as a quality of the personality of STDS.

The article is devoted to the problem of studying victimization as a personality trait that affects the professional activity of a STDS employee. The article discusses the definitions of victimization as a personality trait, victim's inclination, situational victimization and personal victimization, victim behavior and professional victimization of STDS workers. In addition, the authors hypothesized theoretically that the mechanism of victimization is a combination of deformed self-esteem and socially determined personality traits, and a study is presented in which the personality quality of STDS workers is studied in connection with self-esteem. Its personality and its influence on the formation of certain victims of behavioral manifestations.

1.15. Nadija Sergienko, Yuliia Ilina, Maksym Dement, Iryna Bilecka. Study peculiarities of internal-personal conflict of students of NUCDU.

Modern research is conducting by Ukrainian psychologists makes it necessary to study the behavior of people, the peculiarities of this behavior, which exist in transitional periods of social development. The article is devoted to the problem of studying intrapersonal conflict in students and cadets, exactly the psychological peculiarities of experiencing intrapersonal conflicts with cadets and students of NUCESU. For this purpose, there is made a theoretical analysis of the problem of an intrapersonal conflict. There were has been studied the general characteristic of the level of intrapersonal conflict of cadets and students and the indicators of intrapersonal conflict in cadets and students of the National University of Civil Defense of Ukraine.

1.16. Inna Tabachnyk, Oksana Bondarenko. Ways and means of spiritual development of children in the structure of the person.

The article describes the essential characteristics of the concepts of spirituality, spiritual development, empathy, responsiveness, moral behavior: some peculiarities of empathy formation in preschool children are described; ways and methods of work with preschoolers on education of moral and spiritual qualities are revealed. The results of our own empirical studies have been presented, which showed the effectiveness of the program designed to formulate the ability to give joy and kindness to people in preschool children. The article reveals the most effective methods and techniques of work on the development of the emotional sphere of senior preschoolers, who have a positive impact on the spiritual development of the individual.

Part 2. The Modern Technologies in the Development of Society

2.1. Stanislav Bilohur. Modern information technologies as a clustering factor of tourism industry in Ukraine.

An analysis of the latest information technologies as a clustering factor of tourism industry in Ukraine is presented, because clustering contributes to the further development of tourism business, well-being testifies and well-being of citizens, engine of the economic growth of countries experiencing the stage in order to active tourism development. The wave of technologic innovation, such as the development of ICT, has required the development of cutting-edge information technologies that focus on services and information which fundamentally change the daily lives of everybody through tourism. Today, Internet and digital technologies are actively influencing tourism industry and industry as a whole. Therefore, clustering of the tourism industry because of utmost importance it symbolizes large-scale global trends, signaling "tourist revolution" as millions of people travel and develop their tourism values. This is facilitated through the Internet and ICT development that benefit tourism business, promote self-realization of individual, serve to ensure economic development and increase the competitiveness of tourism business products and services, and attest quality of life.

2.2. Olena Vasylieva, Ruslana Khynevyh, Irina Vasylieva. Motion design in a modern visual-communicative environment.

The article deals with the problems of modern information design. The basic directions of motion-design and its sphere of application in the visual-communicative environment defined. Animated infographics been identified as the most relevant and required for presenting information in various fields of activity and advertising. The types of infographics determined by the graphic structure and the way information presented. The types of sensory systems of perception of information by the audience investigated, which showed the effectiveness of providing visual information. It is determined that the character can be used in the development as a means of image formation. Basic tools for character development (color, shape, etc.) are considered.

2.3. Valentyna Voronkova, Alla Cherep, Vitalina Nikitenko, Regina Andriukaitiene. Impact of modern information and innovative technologies for the development of industrial management in the conditions of globalization 4.0 and technological revolution 4.0.

The analysis of information and innovative technologies as a factor of increasing of economy and business efficiency in the conditions of globalization 4.0 and technological revolution 4.0 leading to robotization, automation, total computerization, artificial intelligence is presented. On the basis of the examples of financial technologies the examples of the use of financial technologies – cyber currency, block chain, smart contracts, virtual banking, insurtech – the digital transformation of the insurance market; large data – Big Data; artificial intelligence are given. It is proved that the main components for the development of information and innovative financial technologies are: entrepreneurs and tech companies must be motivated to start a business; access to investments and financial expertise will allow the participants to use effectively the business – from idea to business plan and to use effectively human resources and knowledge of financial technologies. Globalization 4.0 and the technological revolution 4.0 accelerate all these processes and require their continued implementation and change of the modern world.

2.4. Olena Durman, Volodymyr Kliutsevskiy. Digitalization – process of digital transformation of society.

The article describes the transformational changes of society, namely, digitalization. It is noted that digital technologies open up unique opportunities for public administration and society development. At the same time ensuring the effectiveness of the development of society cannot be achieved without the introduction of "digital" technologies in all spheres of life. It is proposed to "digitalization" as an instrument that, in a systemic state approach, will greatly stimulate the development of an open information society. It should become one of the essential factors of the development of democracy in Ukraine, economic growth, creation of new jobs, and also increase of the quality of life of Ukrainian citizens.

2.5. Snezana Zelinska. Information and educational environment of the technical university.

The article deals with the peculiarities of forming a unified information and educational environment of a technical university as a system containing educational and methodological material intended for research work of students of a technical university. The modern education trends that influence the formation of the university information and educational environment are considered: the Moodle learning management system; augmented reality technologies – Vuforia, ARToolKit, Kudan. The HEA information and education environment can be organized on the basis of the Moodle Learning Management System, which enables all participants in the learning process to interact with each other and keep track of their learning activities. Also, it should be noted that the technical ZVO uses a lot of application software, which is an integral part of the information and educational environment ZVO, this technology augmented reality.

2.6. Mykola Kyrychenko. The newest information technologies as a factor of development of the technology of the world.

The analysis of the latest information technologies as a factor in the development of the technological world rapidly evolving and demonstrating the positive aspects of technological evolution, and arguments in favor of progress, science and reason are presented. Exponential character of development of technological world, represented by the concept of "fraction of exponential curve" is revealed. The author notes that the coming years will bring about turbulent and radical technological changes that have not yet happened, due to the exponential growth of information that will lead to breakthrough technologies. Examples of technological progress in the information world, combining nanotechnology, 3D printing, robotization and automation are analyzed. The development of algorithms has led to the fact that the "bots revolution" will change our world in the near future. It is concluded that the future belongs to the algorithms and their creators. That is why today the progress of information technologies is taking place as a factor in the development of the technological world for the benefit of all mankind.

2.7. Larysa Lyashenko. About development forecasts of education systems in the conditions of information revolution.

The main topic of the article is the study of the future. It is noted that in the West the term «intellect» is used only in the singular, but in the topic «future», scientists analyze not a single variant (as we have in Soviet times), but a wide variety with various proposals moving forward. However, with the accuracy of the predictions of the future in the West is not all right, as evidenced by the examples of erroneous forecasts of French scientists and those futurologists who do not go beyond their professional disciplines. The author mentions the achievements of US scholars in the study of complex systems and the dissemination of relevant disciplines in universities. Good applicability of quantitative forecasts for production and much worse results in case of sociological predictions are indicated. The «foresight» method is mentioned in a positive sense, but it is recommended to take into account the emergence of environmentally friendly nootechnologies and a group of noosciences when using it. The expediency of planning education and individual life paths on the basis of these achievements has been proved. Relatively good prospects of English on the way to global application have been noted.

2.8. Valentina Oglikh, Oleksii Shapovalov. Innovative development of the transport automobile system of Ukraine: problems and prospects.

The purpose of the article is to find out the basic aspects of the development in the system “car – man – road environment” in order to determine the directions and prospects of improving the situation in the field of vehicles in Ukraine. An analytical study of the challenges facing the trucking system was carried out. The results of the study give every reason to argue that, provided the current situation, real positive changes will not happen. Changes are needed both in the financing system and in the field of information innovation.

2.9. Natalia Pavlushenko, Olha Shapovalova, Yevdokiia Kharkova, Olena Gavriilo. Organizational fundamentals of functioning of general education in UK and Ukraine: comparative analysis.

The article presents a comparative analysis of the organizational foundations of the functioning of secondary schools in the UK and Ukraine. The specific mandatory stages of education in schools in Ukraine and the UK that affect the process of formation and development of secondary education are specified.

2.10. Tetiana Perevozna. Tutorial practice as an innovative model of educational communication in higher school.

The article explores the features of tutoring as an innovative model of teaching in higher education. It is emphasized that the relevance of this issue is due to the high potential of tutoring as a psychological and pedagogical practice in modern conditions. The need to consider the priority of personality development and use of its potential in solving the innovative challenges facing higher education is affirmed. The considerable potential of the tutoring institute in enriching and expanding the traditional teacher-student relationship, promoting the personal growth of students, and significantly expanding educational resources are shown.

2.11. Olena Reshetnyak, Mariia Bazeliuk, Aliana Sarukhanian. The paradigm of symbolic values of biblionyms with anthroponym component in the literacy of Ukrainian and Polish artists.

The article is devoted to the study of the conditions of functioning of the biblical symbol in the contemporary folklore discourse of Ukrainian and Polish artists. In scientific exploration the boundaries of the conceptual field outline the biblical symbolism as linguacultural unit; the associative-figurative paradigm of the Old Testament and New Testament symbols with the anthroponym components that function in Ukrainian and Polish contemporary songwriting is distinguished; the relation between the biblical symbols in the indicated Slavic languages is drawn.

2.12. Olena Semenog, Olena Semenikhina. Interdepartmental projects in the conditions of education content integration: experience of the A. S. Makarenko Sumy State Pedagogical University.

The article describes the specifics of the organization and individual results of interdisciplinary projects held in the Departments of Computer Science and Ukrainian Language of the A. S. Makarenko Sumy State Pedagogical University. Among the areas of interdepartmental projects are defined professional, methodological, research and cultural-educational. It is proved that it is important to organize interdepartmental projects on the basis of partnership pedagogy taking into account the specifics of the specialties. It is revealed that the virtual platform is important for providing educational, educational-consultative, informational-didactic, and research support for professional activity of the New Ukrainian Schoolteacher. It helps to form the key competencies of teachers for realization and dissemination of the results of work on interdepartmental projects.

2.13. Olexander Tarasenko, Sergii Trokhymchuk. Constructing structures of the quality assessment system and its study of neural-network means.

In recent decades, a new applied field of mathematics specializing in artificial neural networks (NN) has been rapidly developing in the world. The relevance of research in this area is confirmed by the mass of different applications of NN. This is the automation of image recognition processes, adaptive control, functional approximation, forecasting, creation of expert systems, organization of associative memory and many other applications. The work considers an example of the use of NN in the quality assessment system.

2.14. Elena Frunze, Yuliana Babyna. Creative Hub ARTCOR – modern engine of innovation and creativity in Chisinau.

The article deals with the revolutionary architecture in Chisinau, implemented by the young architect Kaluzhak Maxim. In the courtyard of the Academy of Music, Theatre and Fine Arts, he built the ARTCOR building, arranged the space and modernized some of the premises of the existing building. Thus, a real architectural monument appeared in the very center of the capital of Moldova, which houses the first innovative creative center "ARTCOR". Thanks to its discovery in June 2019, children and young people received a unique opportunity to develop their own start-ups and fully realize themselves. Creative Hub as a kind of powerful engine of innovation and creative ideas, promotes the development of creative entrepreneurship and stimulates the exchange of knowledge and experience. It provides space for collaboration of freelancers, organizations / enterprises / universities in the field of art, artistic creativity, etc.

2.15. Larisa Shevchuk, Borys Shevchuk. Psychological and pedagogical aspects of organization of information interaction in the conditions of using electronic educational resources.

Psychological and pedagogical aspects of organization of information interaction of students and teachers in the conditions of use of electronic educational resources are considered in the article. The use of electronic learning means the use of the most rational forms and methods of teaching activities for both teachers and students. The article describes pedagogical interaction in different forms of learning, examines the nature of information interaction in the system of education, which has developed in a higher education institution in the conditions of using electronic educational resources. The opportunities and importance of the electronic educational environment in the learning process are highlighted.

2.16. Svitlana Iurchenko, Olena Iurchenko. Tourism in Kharkiv region: reality and perspectives.

The aim of the study is to analyze tourism activities in Kharkiv region and identify the main directions of its development, which should be the basis for innovative tourism policy at the regional level. The need for development of domestic tourism is shown, its basic importance for development of international tourism. The main factors of tourism business development in the region are considered. Author analyzes dynamics of tourist flows served by the subjects of tourist activity. The article reveals tendencies and problems in development of tourism infrastructure. The necessity of making innovative decisions for tourism development in the region as one of the promising sectors of its economy is shown.

Part 3. Modern Aspects of Realization of Security of a Person and Society

3.1. Katerina Mannapova. Gender features of domestic violence.

Violent crimes committed in the family are becoming an increased public danger. Family violence involves the unlawful actions of one family member in relation to another member or several members of the family. There are analyzed the approaches to the concepts of "gender violence", "violence against women" and "domestic violence". There are four types of domestic violence that are considered: physical, sexual, psychological, and economic. Also, the consequences of violence that lead to personality deformation are singled out. The concept of the cycle of violence as a psychological mechanism between the aggressor and the victim is described and a social relay race of violence.

3.2. Natalia Ostapenko, Olena Kolosnichenko, Larusa Tretyakova, Tetyana Lutsker, Alla Rubanka, Halyna Tokar. Formation of structure of protective clothing assortment and its elements on the basis of transformation principles.

It is effective to use protective clothing and its elements based on the principles of transformation, through which the worker can independently control the degree of their safety and comfort, to flexibly respond to changes in operating conditions, which contributes to the production activity and reduce material costs and labor resources of industrial production. In order to optimize the process of designing the aforementioned clothing, an approach is proposed to create an information base of elements based on the principles of transformation of protective clothing, the basis for which are the methods of systematization and typing of objects.

3.3. Olga Savchenko, Alexander Skvorchevsky. Innovative and military-industrial component of overcoming modern challenges of the Baltic-Black Sea region countries.

The purpose of the study is to analyze the capabilities of the military-industrial resources of the Baltic-Black Sea region, the ways of their integration and the level of innovation, as one of the most important components of competitiveness in the global market for weapons and military equipment. This paper contributes to the state-of-the-art of open innovation in way exploring and studying the origin of external knowledge used in the innovation process.

3.4. Oksana Bepalova, Nadiya Avramenko, Tetyana Bugaenko, Yurii Korzh, Zoya Korzh. Physical therapy and ergotherapy of children of the first year of life with hypoxic-ischemic lesions of the central nervous system.

The article outlines the results of the implementation of a comprehensive program of physical therapy and ergotherapy in the rehabilitation process of children of the first year of life with hypoxic-ischemic lesion of the central nervous system. The main objectives of the rehabilitation program are as follows: elimination of the consequences of hypoxic-ischemic defeat of the central nervous system (normalization of disturbed muscular tone of the limbs, increase of the amplitude of movements in the joints, promote the development of fine and coarse motility); stimulation of psychomotor development; balance processes of excitation and inhibition of the central nervous system; improve overall well-being and strengthen the whole body. The following physical therapy products were included in the program: therapeutic physical culture, therapeutic massage, sensory integration.

3.5. Iryna Bogdanova, Larysa Toropovska, Dmytro Taraduda. Psychological security of personality of cadets and students NUCDU.

A theoretical overview of the security problems of modern people. This article analyzes such definitions as security, social security, psychological security, personal safety and security in the educational environment. In the work, a psychological safety of an educational process at the university is considered as a state of protecting the student from threats to his dignity, mental well-being and a positive world view. According to the author, the main reason for the active introduction of the concept of “educational environment” in the psychology of education is a change in the initial foundations of building modern educational technologies. We are talking about what is happening at present: about a change in educational paradigms, those initial didactic and psychological foundations on which the content and teaching methods that are characteristic of this educational technology are built; changing learning objectives, changing perceptions about the development of students' abilities in the learning process.

3.6. Pavlo Borodych, Egor Popov. Innovative approaches to training rescuers for high-rescue operations.

The report proposes innovative approaches to training firefighter-rescuers to conduct emergency rescue operations at heights. For the first time, studies of rescue cadets on risk preparedness were conducted and the dependences of the degree of risk preparedness and the qualifications of rescuers were obtained. Also, for the first time, dependencies between the heart rate and the skills of rescuers were obtained.

3.7. Stella Gornostal, Dmytro Verkhovets, Artem Odynets. The use of information technology to control the mode of operation of biological wastewater treatment facilities.

The state of protection of water bodies in Ukraine from pollution by insufficiently treated sewage is analyzed. The features of sewage treatment at biological treatment facilities, the main directions of improvement of the purification process are considered. The software complex for managing the mode of operation of biological wastewater treatment facilities has been developed. The implementation of the software is made using the Maxima software package. The complex is designed to automate the control of the technological process of wastewater treatment. In the work used simulation modeling of wastewater treatment plants. The implementation of the complex will reduce labor costs for technological control, storage and accumulation of information.

3.8. Yevhen Maltsev, Svitlana Maltseva. Innovative approaches to the revitalization of technogenic landscapes.

Technogenic landscapes as part of the biosphere are playing an ever-increasing role, however, given the diversity of their origin, structure, composition, they have not been studied enough and require comprehensive research and monitoring. Among the organisms that are the first to begin the biological development of substrates of natural and anthropogenic origin, algae and Cyanoprokaryota are usually present. They form pioneer communities and initiate the primary stages of soil formation. It is important not only the accumulation of organic matter, but also the bonding of substrate particles, the activation of heterotrophic microflora, the proximity of physiological characteristics with higher plants allows the use of algae and Cyanoprokaryota in the reclamation of technogenic landscapes.

3.9. Ihor Nikolenko, Andrii Kovalov, Vitalii Kaliuzhnyi. Methodology of determination of characteristic of fireproof capability of coatings of hollow core metal deck slabs.

Methodology of determination of characteristic of fireproof capability of fire-retardant coatings of hollow-core slabs using experiment-calculated method according to firing test data is represented. Within the methodology physical and computer models of thermal state of metal deck slab in two-way position are developed, and also in one-dimensional position with equal through-thickness concrete layers, armature and concrete layer with free space. Thermal characteristics of slab layers and fire-retardant plaster coating are defined. Developed methodology is tested while determination of characteristic of fireproof capability of plaster coating "Endoterm 210104" according to the results of real firing tests of hollow core slabs using criteria of critical temperature rise of armature or thermal capability of lift slabs.

3.10. Illia Rudenko, Yurii Otrosh, Mykola Udianskyi. Use of monitoring of buildings and structures for safety.

One of the main causes of natural and man-made emergencies in Ukraine is the obsolescence of fixed assets and the state of emergency of a large part of utility networks. In recent years, the problem of environmental monitoring and operational activation of elements of buildings and structures, engineering networks has developed. The composition of the monitoring system is considered in the paper. The mathematical model of the building is considered as an example of one of the elements of the monitoring system. The mathematical model made it possible to perform rapid preliminary prediction of values of controlled parameters of building structures. It is advisable to determine the technical condition of the used structures of the buildings on the basis of the results of the performed survey, followed by the use of the obtained results to simulate the technical condition in the software and to check the calculation of the system «foundation-foundation-top structure».

3.11. Alexander Sklyarenko. The newest technologies and their role are in forming of safety of society.

The analysis of the experience and the situation in the aspects of new technologies (nanotechnologies and nanoindustry) of leading countries was completed. The first successful native steps in the nanoactivities were studied. The ways and mechanisms of commercialization of scientific and technological activities was proposed.

3.12. Stanislav Shakhov, Nazariy Balaka. Innovative technologies in firefighting: compression foam.

The analysis of foam compressed air foam systems and the studies on the properties of extinguishing compression air foam are analyzed. It was found that the research used patented units for the generation compression air foam with different technical parameters. The purpose of the study was to develop a method for designing technical parameters of such systems and for their further implementation in the rescue departments in Ukraine. The mathematical model is developed. The technical parameters of the installation have been calculated and the results obtained, which can be used by designers in the development of industrial designs of installations for the generation of extinguishing compression foam.

About the authors:

Part 1. Socio-Cultural Aspects of Personality Development

- 1.1. **Oksana Abramova** – PhD of Pedagogical Sciences, Associate Professor,
Tetiana Khrinenko – Head of the workroom,
Nataliya Horbenko – Magister,
Volodymyr Vynnychenko Central Ukrainian State Pedagogical University,
Kropyvnytskyi, Ukraine
- 1.2. **Tetyana Bugaenko** – PhD of Pedagogical Sciences, Lecturer
Zhanna Chernyakova – PhD of Pedagogical Sciences, Associate Professor,
Yurii Korzh – Associate Professor,
Zoya Korzh – Associate Professor,
Nadiya Avramenko – Lecturer,
Sumy State Pedagogical University named after A. S. Makarenko, Sumy, Ukraine
- 1.3. **Nina Filippova** – PhD in Philology, Professor,
Olena Shcherbak – PhD in Philology, Senior Lecturer,
Larisa Snigur – Senior Lecturer,
Admiral Makarov National University of Shipbuilding, Mykolayiv, Ukraine
- 1.4. **Igor Videnieiev** – PhD of Psychological Sciences, Associate Professor,
Kharkiv State Academy of Culture, Kharkiv, Ukraine
- 1.5. **Sviltana Gyra** – PhD of Pedagogical Sciences, Lecturer,
Iryna Ushakova – PhD of Psychological Sciences, Associate Professor,
Maryna Korobeynik – Magister,
National University of Civil Defense of Ukraine, Kharkiv, Ukraine
- 1.6. **Ihor Ivanii** – PhD of Pedagogical Sciences, Associate Professor,
Olena Ivanii – PhD of Pedagogical Sciences, Associate Professor,
Sumy State Pedagogical University named after A. S. Makarenko, Sumy, Ukraine
- 1.7. **Zoya Korzh** – Associate Professor of SSPU,
Yurii Korzh – PhD of Pedagogical Sciences, Associate Professor,
Tetyana Bugaenko – PhD of Pedagogical Sciences, Lecturer,
Oksana Bepalova – Lecturer,
Nadiya Avramenko – Lecturer,
Sumy State Pedagogical University named after A. S. Makarenko, Sumy, Ukraine
- 1.8. **Yurii Korzh** – PhD of Pedagogical Sciences, Associate Professor,
Zoya Korzh – Associate Professor of SSPU,
Tetyana Bugaenko – PhD of Pedagogical Sciences, Lecturer,
Oksana Bepalova – Lecturer,
Nadiya Avramenko – Lecturer,
Sumy State Pedagogical University named after A. S. Makarenko, Sumy, Ukraine

- 1.9. Nataliia Kuksa** – PhD of Pedagogical Sciences, Associate Professor,
Yuriy Lyannoy – Doctor of Pedagogical Sciences, Professor,
Yuliia Karpenko – Lecturer,
 Sumy State Pedagogical University named after A. S. Makarenko, Sumy, Ukraine
- 1.10. Iryna Kurilchenko** – PhD of Biological Sciences, Associate Professor,
Iryna Ostopolets – PhD of Psychological Sciences, Associate Professor,
 Donbas State Pedagogical University, Slovyansk, Ukraine,
Hanna Ediher – Student,
 Donetsk Regional School “Young Researcher”, Secondary School № 10 of Toretsk
 Military-Civilian Administration, Toretsk, Ukraine
- 1.11. Natalia Kucherenko** – PhD of Psychological Sciences, Senior Lecturer,
 Ukrainian Engineering Pedagogics Academy, Kharkiv, Ukraine,
Sergey Kucherenko – PhD of Psychological Sciences, Associate Professor,
 National University of Civil Defence of Ukraine, Kharkiv, Ukraine
- 1.12. Lina Perelygina** – Doctor of Biological Sciences, Professor,
Anton Shvalb – PhD of Psychological Sciences, Senior Lecturer,
Sofiia Bogomazova – Magister,
 National University of Civil Defence of Ukraine, Kharkiv, Ukraine
- 1.13. Nataliia Svitlychna** – PhD of Psychological Sciences, Senior Lecturer,
Natalia Afanasieva – PhD of Psychological Sciences, Associate Professor,
Iryna Akulova – Magister,
 National University of Civil Defence of Ukraine, Kharkiv, Ukraine
- 1.14. Nataliia Svitlychna** – PhD of Psychological Sciences, Senior Lecturer,
Valerii Bosniuk – PhD of Psychological Sciences, Associate Professor,
Vitalii Sobyna – PhD of Technical Sciences, Associate Professor,
Nadija Shechovcova – Magister,
 National University of Civil Defence of Ukraine, Kharkiv, Ukraine
- 1.15. Nadija Sergienko** – PhD of Psychological Sciences, Associate Professor,
Yuliia Ilina – PhD of Biological Sciences Associate Professor,
Maksym Dement – PhD of Pedagogical Sciences, Senior Lecturer,
Iryna Bilecka – Magister,
 National University of Civil Defence of Ukraine, Kharkiv, Ukraine
- 1.16. Inna Tabachnyk** – PhD of Psychological Sciences, Senior Lecturer,
 Municipal Institution «Kharkiv Humanitarian Pedagogical Academy» Kharkiv Regional
 Council, Kharkiv, Ukraine,
Oksana Bondarenko – Practical Psychologist,
 Vysokopilsk Secondary School I-III c. Valkyiv State Administration Kharkiv region,
 Vysokopilsk, Ukraine

Part 2. The Modern Technologies in the Development of Society

- 2.1. **Stanislav Bilohur** – Postgraduate Student,
Alfred Nobel University, Dnipro, Ukraine
- 2.2. **Olena Vasylieva** – PhD of Technical Sciences, Associate Professor,
Ruslana Khynevych – PhD of Technical Sciences, Associate Professor,
Irina Vasylieva – Associate Professor,
Kyiv National University of Technologies and Design, Kyiv, Ukraine
- 2.3. **Valentyna Voronkova** – Doctor in Philosophy, Professor,
Engineering Institute of Zaporizhzhia National University, Zaporizhzhia, Ukraine,
Alla Cherep – Doctor in Economics, Professor, Honored Worker of Science and
Technology of Ukraine, Academician of Sciences of Higher Education of Ukraine,
Zaporizhzhia National University, Zaporizhzhia, Ukraine,
Vitalina Nikitenko – PhD in Philosophy, Associate Professor,
Engineering Institute of Zaporizhzhia National University, Zaporizhzhia, Ukraine,
Regina Andriukaitiene – PhD of Social Sciences, Associate Professor,
Marijampole college, Marijampole, Lithuania
- 2.4. **Olena Durman** – Senior Lecturer,
Kherson National State University, Kherson, Ukraine,
Volodymyr Kliutsevskiy – Head of Staff,
Kherson Regional State Administration, Kherson, Ukraine
- 2.5. **Snezana Zelinska** – PhD of Pedagogical Sciences,
Kryvy Rih State Pedagogical University, Kryvy Rih, Ukraine
- 2.6. **Mykola Kyrychenko** – Doctor in Philosophy, Professor, Corresponding Member of the
Academy of Education Sciences of Ukraine,
University of Educational Management of the National Academy of Pedagogical
Sciences of Ukraine, Kyiv, Ukraine
- 2.7. **Larysa Lyashenko** – PhD of Pedagogical Sciences, Associate Professor,
Taras Shevchenko Kyiv National University, Kyiv, Ukraine
- 2.8. **Valentina Oglikh** – PhD in Economics, Associate Professor,
Oles Honchar Dnipro National University, Dnipro, Ukraine
Oleksii Shapovalov – PhD of Technical Sciences, Senior Research Fellow,
University of Customs and Finance, Dnipro, Ukraine
- 2.9. **Natalia Pavlushenko** – PhD of Pedagogical Sciences, Associate Professor,
Olha Shapovalova – PhD of Pedagogical Sciences, Associate Professor,
Yevdokiia Kharkova – PhD of Pedagogical Sciences, Associate Professor,
Olena Havrylo – PhD of Biological Sciences, Associate Professor,
Sumy State Pedagogical University named after A. S. Makarenko, Sumy, Ukraine
- 2.10. **Tetiana Perevozna** – PhD of Psychological Sciences, Associate Professor,
Kharkiv State Academy of Culture, Kharkiv, Ukraine
- 2.11. **Olena Reshetnyak** – PhD in Philology, Associate Professor,
Mariia Bazeliuk – Student,
Aliana Sarukhanian – Student,
Donbas State Pedagogical University, Slovyansk, Ukraine

- 2.12. Olena Semenog** – Doctor of Pedagogical Sciences, Professor,
Olena Semenikhina – Doctor of Pedagogical Sciences, Professor,
 Sumy State Pedagogical University named after A. S. Makarenko, Sumy, Ukraine
- 2.13. Olexander Tarasenko** – PhD of Technical Sciences, Associate Professor,
 Banking University, Kharkiv, Ukraine,
Sergii Trokhymchuk – PhD of Technical Sciences, Associate Professor,
 Ukrainian Engineering Pedagogics Academy, Kharkiv, Ukraine
- 2.14. Elena Frunze** – Postgraduate Student, Senior Lecturer,
 Academy of Music, Theater and Fine Arts, Chisinau, Moldova
Yuliana Babyna – Postgraduate Student, Textile Designer,
 Ion Creanga State Pedagogical University, JSC Floare-Carpet, Chisinau, Moldova
- 2.15. Larisa Shevchuk** – PhD of Pedagogical Sciences, Associate Professor,
Borys Shevchuk – PhD of Pedagogical Sciences, Senior Lecturer,
 Pereyaslav-Khmelnitsky State Pedagogical University named after Grigory Skovoroda,
 Pereyaslav-Khmelnitsky, Ukraine
- 2.16. Svitlana Iurchenko** – PhD of Geographical Sciences, Associate Professor,
Olena Iurchenko – Applicant,
 V. N. Karazin Kharkiv National University, Kharkiv, Ukraine

Part 3. Modern Aspects of Realization of Security of a Person and Society

- 3.1. Katerina Mannapova** – PhD of Psychological Sciences, Associate Professor,
 Kharkiv National University of Internal Affairs, Kharkiv, Ukraine
- 3.2. Natalia Ostapenko** – Doctor of Technical Sciences, Associate Professor,
Olena Kolosnichenko – Doctor of Art Studies, Associate Professor,
 Kyiv National University of Technologies and Design, Kyiv, Ukraine,
Larusa Tretyakova – Doctor of Technical Sciences, Professor,
 National Technical University of Ukraine "Igor Sikorsky Kyiv Polytechnic Institute", Kyiv,
 Ukraine,
Tetyana Lutsker – PhD of Technical Sciences, Associate Professor,
Alla Rubanka – PhD of Technical Sciences, Associate Professor,
Halyna Tokar – Assistant,
 Kyiv National University of Technologies and Design, Kyiv, Ukraine
- 3.3. Olga Savchenko** – PhD in Economics, Professor,
Alexander Skvorchevsky – PhD in Economics, Associate Professor,
 National Technical University "Kharkiv Polytechnic Institute", Kharkiv, Ukraine
- 3.4. Oksana Bepalova** – Lecturer,
Nadiya Avramenko – Lecturer,
Tetyana Bugaenko – PhD of Pedagogical Sciences, Lecturer,
Yurii Korzh – PhD of Pedagogical Sciences, Associate Professor,
Zoya Korzh – Associate Professor of SSPU,
 Sumy State Pedagogical University named after A. S. Makarenko, Sumy, Ukraine

- 3.5. Iryna Bogdanova** – PhD in Philology, Associate Professor,
Larysa Toropovska – Lecturer,
Dmytro Taraduda – PhD of Technical Sciences,
National University of Civil Defense of Ukraine, Kharkiv, Ukraine
- 3.6. Pavlo Borodych** – PhD of Technical Sciences, Associate Professor,
Egor Popov – Student,
National University of Civil Defense of Ukraine, Kharkiv, Ukraine
- 3.7. Stella Gornostal** – PhD of Technical Sciences, Senior Lecturer,
Dmytro Verkhovets – Magister,
Artem Odynets – Magister,
National University of Civil Defense of Ukraine, Kharkiv, Ukraine
- 3.8. Yevhen Maltsev** – PhD of Biological Sciences, Senior Researcher,
Svitlana Maltseva – Researcher,
K. A. Timiryazev Institute of Plant Physiology RAS, IPP RAS, Moscow, Russia
- 3.9. Ihor Nikolenko** – Student,
National University of Civil Defence of Ukraine, Kharkiv, Ukraine,
Andrii Kovalov – PhD of Technical Sciences, Senior Research Associate,
Cherkassy institute of Fire Safety named after Chernobyl Heroes of National University
of Civil Defense of Ukraine, Cherkassy, Ukraine,
Vitalii Kaliuzhnyi – Deputy Head of the Faculty,
National University of Civil Defence of Ukraine, Kharkiv, Ukraine
- 3.10. Illia Rudenko** – Student,
Yurii Otrosh – PhD of Technical Sciences, Associate Professor,
Mykola Udianskyi – PhD of Technical Sciences, Associate Professor,
National University of Civil Defence of Ukraine, Kharkiv, Ukraine
- 3.11. Alexander Sklyarenko** – Scientific Researcher,
Lashkaryov Institute of Semiconductor Physics National Academy of Sciences of
Ukraine, Kyiv, Ukraine
- 3.12. Stanislav Shakhov** – Adjunct,
Nazariy Balaka – Student,
National University of Civil Defence of Ukraine, Kharkiv, Ukraine

ISBN: 978-83-955125-3-7